



MODEL H0758 3-SHELF CART INSTRUCTIONS

The Model H0758 is a contemporary looking, low height cart that has no-slip shelves and a non-marring "soft" edge.

Specifications

Weight	43 lbs.
Load Capacity	270 lbs.
Dimensions.....	18½"W x 29"L x 35"H
Top Shelf Height.....	24½"
Distance Between Shelves.....	9"

Inventory (Figure 1)

A.	Bottom Shelf.....	1
B.	Center Shelf	1
C.	Top Shelf	1
D.	Handle	1
E.	Columns	8
F.	Support Rods 20" Long.....	2
G.	Support Rods 20½" Long.....	2
H.	Flat Washers 10mm.....	4
I.	Fixed Casters	2
J.	Swivel Casters.....	2

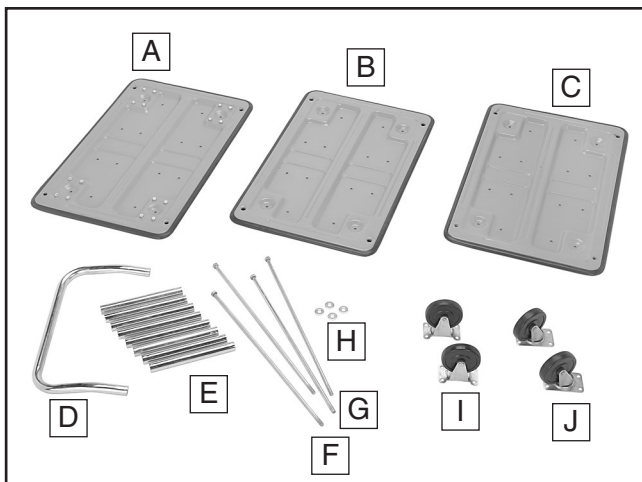


Figure 1. H0758 inventory.

Recommended Tools

Wrench/Socket 12mm	1
Wrench/Socket 17mm.....	1

Assembly

1. Insert a support rod with a 10mm flat washer through a mounting hole in the bottom shelf, then slide a column onto the rod, as shown in **Figure 2**.

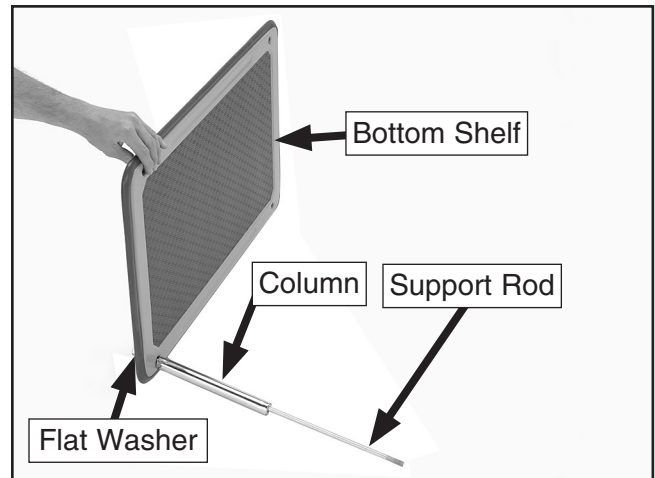


Figure 2. Support rod and column installed onto bottom shelf.

Continued on next page →

COPYRIGHT © JULY, 2008 BY GRIZZLY INDUSTRIAL, INC.

WARNING: NO PORTION OF THIS MANUAL MAY BE REPRODUCED IN ANY SHAPE OR FORM WITHOUT THE WRITTEN APPROVAL OF GRIZZLY INDUSTRIAL, INC.

#BL10942 PRINTED IN CHINA

- Repeat **Step 1** with the remaining support rods (see **Figure 3**), making sure to install the two 20" rods on the front end and the 20⁵/₈" rods on the back end of the shelf.

Note: The longer rods will install into the handle later in these instructions.

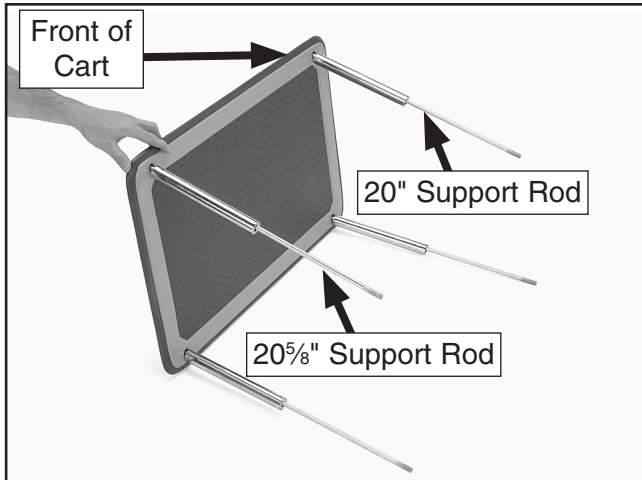


Figure 3. Lower shelf installed.

- Slide the middle shelf through the support rods (**Figure 4**), then install a column onto each rod.

Note: Make sure the lighter side of the shelf faces down and toward the fasteners on the bottom shelf.

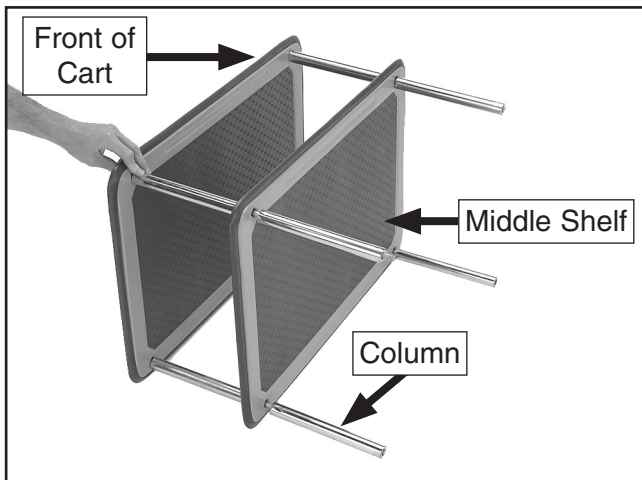


Figure 4. Middle shelf installed.

- Place the top shelf over the rods and align the mounting holes.
- Secure the front end of the top shelf with the 20" support rods, then fasten the handle to the cart with the 20⁵/₈" support rods (**Figure 5**).

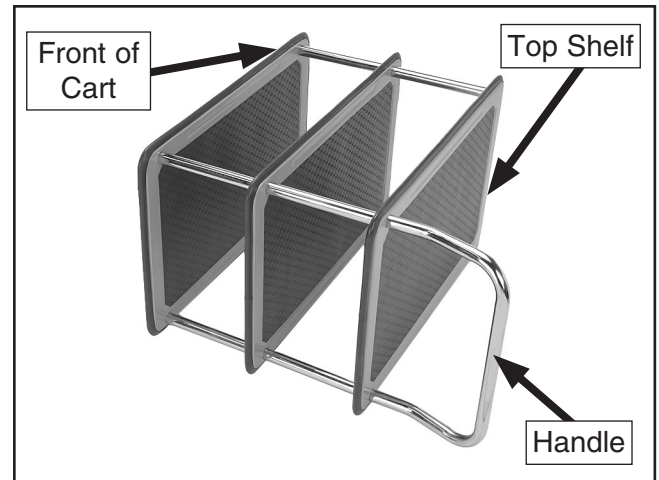


Figure 5. Top shelf and handle assembled.

- Fasten the casters to the bottom shelf (see **Figure 6**)—placing the fixed casters in the front and swivel casters on the handle end—using the pre-installed M8-1.25 x 12 hex bolts and lock washers.

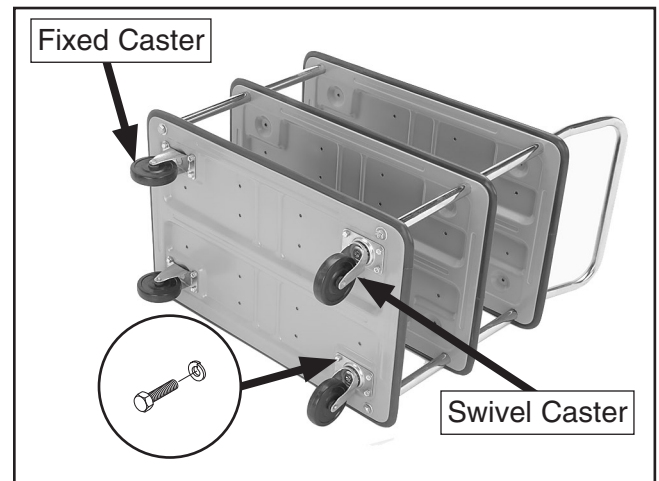


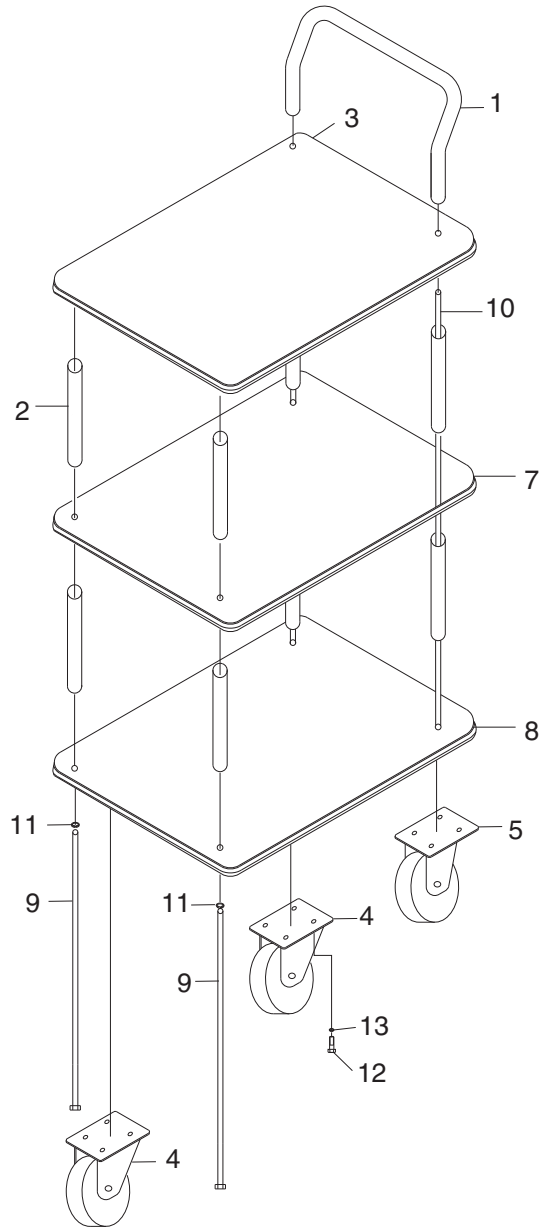
Figure 6. Casters installed.

- Place the cart in an upright position with the wheels on a flat surface.

If you need help with your cart, call our Tech Support at: (570) 546-9663.



H0758 Parts Breakdown and List



REF	PART #	DESCRIPTION
1	PH0758001	HANDLE
2	PH0758002	COLUMN
3	PH0758003	UPPER SHELF
4	PH0758004	FIXED CASTER
5	PH0758005	SWIVEL CASTER
7	PH0758007	MIDDLE SHELF

REF	PART #	DESCRIPTION
8	PH0758008	LOWER SHELF
9	PH0758009	HEX BOLT M10-1.5 X 508
10	PH0758010	HEX BOLT M10-1.5 X 524
11	PW04M	FLAT WASHER 10MM
12	PB06M	HEX BOLT M8-1.25 X 12
13	PW01M	FLAT WASHER 8MM



grizzly.com

TOOL WEBSITE

Buy Direct and Save with Grizzly® – Trusted, Proven and a Great Value!

*Visit Our Website Today And Discover
Why Grizzly® Is The Industry Leader!*

- SECURE ORDERING
- ORDERS SHIPPED WITHIN 24 HOURS
- E-MAIL RESPONSE WITHIN ONE HOUR

-OR-

Call Today For A **FREE**
Full Color Catalog

1-800-523-4777



Free Manuals Download Website

<http://myh66.com>

<http://usermanuals.us>

<http://www.somanuals.com>

<http://www.4manuals.cc>

<http://www.manual-lib.com>

<http://www.404manual.com>

<http://www.luxmanual.com>

<http://aubethermostatmanual.com>

Golf course search by state

<http://golfingnear.com>

Email search by domain

<http://emailbydomain.com>

Auto manuals search

<http://auto.somanuals.com>

TV manuals search

<http://tv.somanuals.com>