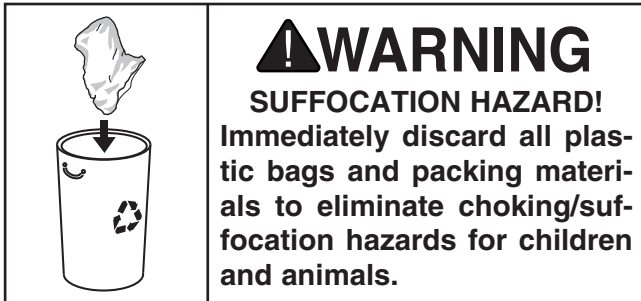




MODEL G8154 NURSERY PLATFORM TRUCK INSTRUCTIONS

(FOR MODELS MANUFACTURED AFTER 3/05)



- Hex Bolts M8-1.25 x 18 (Axles)..... 13
- Locking Hex Nuts M8-1.25 (Axles)..... 13
- Flat Washers 8mm (Axles) 13

Specifications

Cart Size (L x W x H)48" x 24" x 13"
 Pneumatic Wheel Size (H x W)..... 10" x 3½"
 Total Load Capacity.....350 lbs.
 Coating Epoxy Paint.
 Net Weight.....58 lbs.

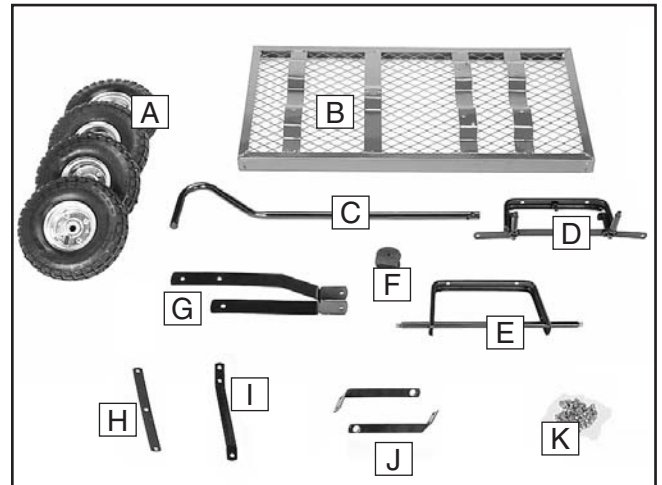


Figure 1. Inventory.

Inventory

Qty

- A. Pneumatic Wheels 4
- B. Bed 1
- C. Handle 1
- D. Steering Axle Assembly 1
- E. Tag Axle Assembly 1
- F. Handle Joint 1
- G. Receiver 1
- H. Steering Axle Tie Bar 1
- I. Center Strut..... 1
- J. Tag Axle Strut Set..... 1
- K. Axle and Strut Bolt Bag..... 1
 - Hex Bolt M8-1.25 x 60 (Handle Joint) 1
 - Locking Hex Nut M8-1.25 (Handle Joint) 1
 - Flat Washer 8mm (Handle Joint)..... 1
 - Hex Bolt M8-1.25 x 25 (Center Strut)..... 1
 - Locking Hex Nut M8-1.25 (Center Strut) 1
 - Flat Washer 8mm (Center Strut) 1
 - Nut Wrench..... 1

If any nonproprietary parts are missing (e.g. a nut or a washer), we will gladly replace them; or for the sake of expediency, replacements can be obtained at your local hardware store. *If you need help with your new item, call our Tech Support at: (570) 546-9663.*

⚠️ CAUTION

Never carry people or animals in this cart. Adult supervision is mandatory while this wagon is being used by children. Do not attempt to modify this cart to increase load capacity or overinflate the tires. Do not load this cart in a manner where the cart will become top heavy and fall over when pulling.

COPYRIGHT © JULY, 2004 BY GRIZZLY INDUSTRIAL, INC. REVISED JUNE 2009 (CR)
WARNING: NO PORTION OF THIS MANUAL MAY BE REPRODUCED IN ANY SHAPE OR FORM WITHOUT THE WRITTEN APPROVAL OF GRIZZLY INDUSTRIAL, INC.
 #CR6202 PRINTED IN CHINA

Assembly

To assemble the cart:

1. Slip the struts onto the axle shaft in the position shown in **Figure 2**, and secure the struts and tag axle support to the frame with six M8-1.25 x 18 hex bolts, 8mm flat washers, and M8-1.25 locking nuts.

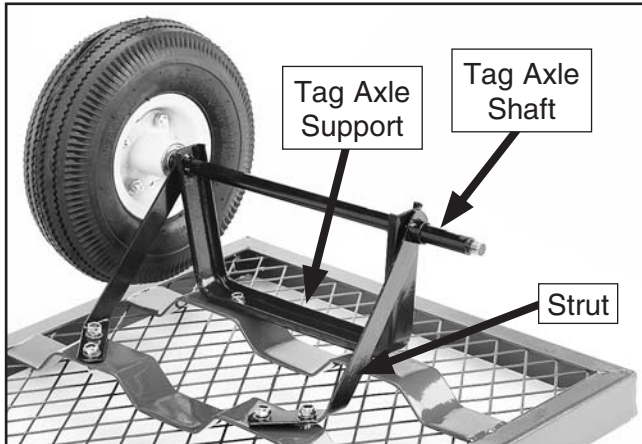


Figure 2. Tag axle and wheel installation.

2. Slide two wheels onto the axles, and secure each wheel to the axle with a 12mm flat washer, 12mm lock washer, and the M12-1.75 acorn nut (**Figure 2**).
3. Connect the receiver and the center strut to the steering axle with one M8-1.25 x 25 hex bolt, 8mm flat washer, and M8-1.25 locking nut (**Figure 3**).

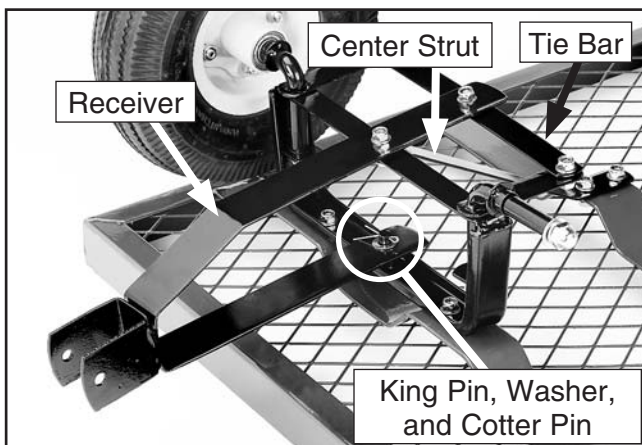


Figure 3. Steering axle.

4. Place the 10mm flat washer onto the king pin and retain it with the cotter pin (**Figure 3**).

5. Secure the tie bar to the steering axle and fasten the axle assembly to the frame with four M8-1.25 x 18 hex bolts, 8mm flat washers, and M8-1.25 locking nuts (**Figure 3**).
6. Slide two wheels onto the axles, and secure each in place with a 12mm flat washer, lock washer, and the acorn nut (**Figure 3**).
7. Insert the handle into the handle joint, then insert the joint into the receiver. Secure the assembly in place with the M8-1.25 x 60 hex bolt, 8mm flat washer, and M8-1.25 locking nut (**Figure 4**).

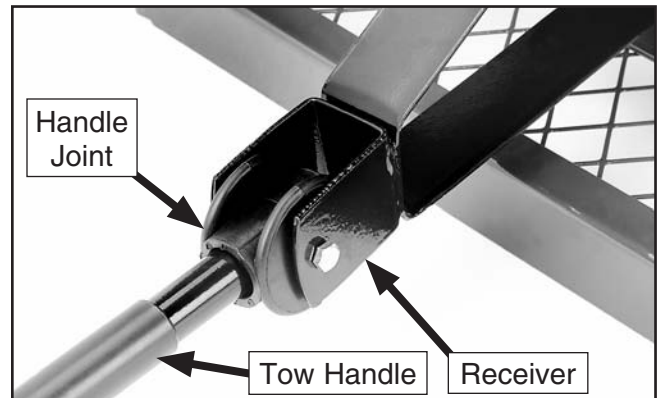


Figure 4. Tow handle.

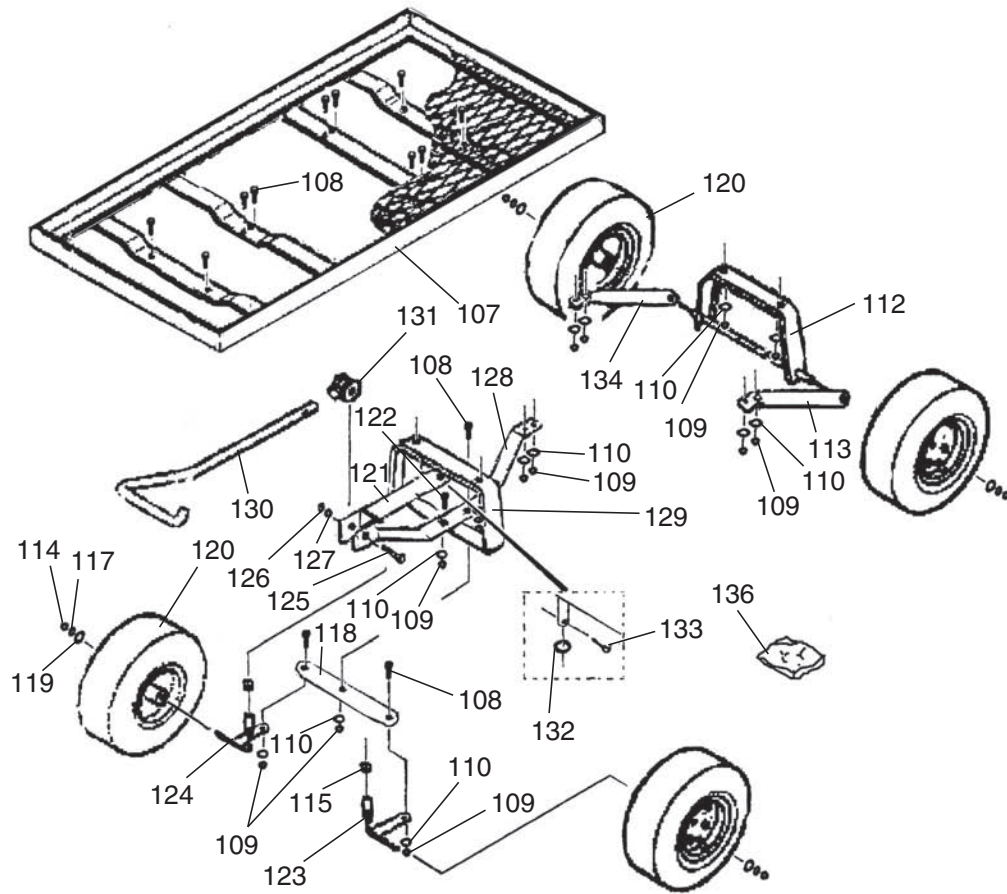
8. When completely assembled, position the cart tow handle in the up position (**Figure 5**) to avoid any tripping hazards.



Figure 5. Top shelf.

9. Make sure the tires are inflated to the pressure indicated on the tire sidewall. If inflation is required, only use a hand pump. **DO NOT USE HIGH PRESSURE SHOP AIR, OR TIRE EXPLOSION COULD OCCUR!**

Parts



REF	PART #	DESCRIPTION
107	P8154107	BED
108	PB85M	HEX BOLT M8-1.25 X 18
109	PLN04M	LOCK NUT M8-1.25
110	PW01M	FLAT WASHER 8MM
112	P8154112	REAR AXLE W/SUPPORT
113	P8154113	REAR AXLE LEFT STRUT
114	PN26M	ACORN NUT M12-1.75
115	PN09M	HEX NUT M12-1.75
117	PLW05M	LOCK WASHER 12MM
118	P8154118	TIE BAR
119	PW06M	FLAT WASHER 12MM
120	P8154120	WHEEL 4.1 X 3.5-4
121	P8154121	RECIEVER
122	PB07M	HEX BOLT M8-1.25 X 25

REF	PART #	DESCRIPTION
123	P8154123	LEFT STEERING SPINDLE
124	P8154124	RIGHT STEERING SPINDLE
125	PB28M	HEX BOLT M8-1.25 X 60
126	PLN04M	LOCK NUT M8-1.25
127	PW01M	FLAT WASHER 8MM
128	P8154128	CENTER STRUT
129	P8154129	STEERING AXLE SUPPORT
130	P8154130	HANDLE
131	P8154131	HANDLE JOINT
132	PW04M	FLAT WASHER 10MM
133	P8154133	COTTER PIN 3 X 25MM
134	P8154134	REAR AXLE RIGHT STRUT
136	P8154136	BOLT BAG

grizzly.com[®]

TOOL WEBSITE

Buy Direct and Save with Grizzly[®] – Trusted, Proven and a Great Value!
~Since 1983~

*Visit Our Website Today For
Current Specials!*

**ORDER
24 HOURS A DAY!
1-800-523-4777**



Free Manuals Download Website

<http://myh66.com>

<http://usermanuals.us>

<http://www.somanuals.com>

<http://www.4manuals.cc>

<http://www.manual-lib.com>

<http://www.404manual.com>

<http://www.luxmanual.com>

<http://aubethermostatmanual.com>

Golf course search by state

<http://golfingnear.com>

Email search by domain

<http://emailbydomain.com>

Auto manuals search

<http://auto.somanuals.com>

TV manuals search

<http://tv.somanuals.com>