

# *Grizzly* *Industrial, Inc.*®

## MODEL H8234 28° FRAMING NAILER OWNER'S MANUAL



COPYRIGHT © AUGUST, 2007 BY GRIZZLY INDUSTRIAL, INC.  
WARNING: NO PORTION OF THIS MANUAL MAY BE REPRODUCED IN ANY SHAPE  
OR FORM WITHOUT THE WRITTEN APPROVAL OF GRIZZLY INDUSTRIAL, INC.  
#TS9831 PRINTED IN CHINA REVISED JULY, 2008 (TR)



## **WARNING!**

**This manual provides critical safety instructions on the proper setup, operation, maintenance and service of this machine/equipment.**

**Failure to read, understand and follow the instructions given in this manual may result in serious personal injury, including amputation, electrocution or death.**

**The owner of this machine/equipment is solely responsible for its safe use. This responsibility includes but is not limited to proper installation in a safe environment, personnel training and usage authorization, proper inspection and maintenance, manual availability and comprehension, application of safety devices, blade/cutter integrity, and the usage of personal protective equipment.**

**The manufacturer will not be held liable for injury or property damage from negligence, improper training, machine modifications or misuse.**



## **WARNING!**

**Some dust created by power sanding, sawing, grinding, drilling, and other construction activities contains chemicals known to the State of California to cause cancer, birth defects or other reproductive harm. Some examples of these chemicals are:**

- **Lead from lead-based paints.**
- **Crystalline silica from bricks, cement and other masonry products.**
- **Arsenic and chromium from chemically-treated lumber.**

**Your risk from these exposures varies, depending on how often you do this type of work. To reduce your exposure to these chemicals: Work in a well ventilated area, and work with approved safety equipment, such as those dust masks that are specially designed to filter out microscopic particles.**

# SAFETY

## **WARNING**

### **For Your Own Safety Read Instruction Manual Before Operating This Equipment**

The purpose of safety symbols is to attract your attention to possible hazardous conditions. This manual uses a series of symbols and signal words which are intended to convey the level of importance of the safety messages. The progression of symbols is described below. Remember that safety messages by themselves do not eliminate danger and are not a substitute for proper accident prevention measures.



Indicates an imminently hazardous situation which, if not avoided, **WILL** result in death or serious injury.



Indicates a potentially hazardous situation which, if not avoided, **COULD** result in death or serious injury.



Indicates a potentially hazardous situation which, if not avoided, **MAY** result in minor or moderate injury. It may also be used to alert against unsafe practices.

**NOTICE**

This symbol is used to alert the user to useful information about proper operation of the equipment.

## **WARNING**

### **Safety Instructions For Pneumatic Tools**

- KEEP ALL SAFETY DEVICES IN PLACE** and in working order.
- REMOVE ADJUSTING KEYS AND WRENCHES.** Form habit of checking to see that keys and adjusting wrenches are removed from tool before operation.
- KEEP WORK AREA CLEAN.** Cluttered areas and benches invite accidents.
- DO NOT USE IN DANGEROUS ENVIRONMENT.** Do not use pneumatic tools in damp or wet locations, or where any flammable or noxious fumes may exist. Keep work area well lighted.
- KEEP CHILDREN AND VISITORS AWAY.** All children and visitors should be kept at a safe distance from work area.
- MAKE WORKSHOP CHILD PROOF** by locking your shop and shutting off air valves.
- DO NOT FORCE TOOL.** It will do the job better and safer at the rate for which it was designed.
- USE THE RIGHT TOOL.** Do not force tool or attachment to do a job for which it was not designed.
- DO NOT USE UNDER THE INFLUENCE OF DRUGS OR ALCOHOL.**

# WARNING

## Safety Instructions For Pneumatic Tools

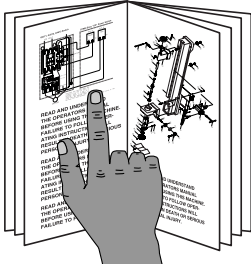
10. **USE PROPER AIR HOSE** for the tool. Make sure your air hose is in good condition and is long enough to reach your work without stretching.
11. **WEAR PROPER APPAREL.** Do not wear loose clothing, gloves, neckties, rings, bracelets, or other jewelry which may get caught in moving parts. Non-slip footwear is recommended. Wear a protective hair covering to contain long hair.
12. **ALWAYS USE SAFETY GLASSES.** Also use a face or dust mask if cutting operation is dusty. Everyday eyeglasses only have impact resistant lenses, they are NOT safety glasses.
13. **WEAR APPROVED HEARING PROTECTION.** Air escaping from pneumatic tools can exceed safe exposure limits and may cause hearing damage with prolonged exposure.
14. **SECURE WORK.** Use clamps or a vise to hold work when practical. It is safer than using your hand and frees both hands to operate tool.
15. **MAINTAIN TOOLS WITH CARE.** Keep tools lubricated and clean for best and safest performance. Follow instructions for lubricating and changing accessories.
16. **REDUCE THE RISK OF UNINTENTIONAL FIRING.** Do not carry tool with hand on trigger and always disconnect from air when not in use.
17. **DISCONNECT TOOLS** before servicing, changing accessories, or moving to another location.
18. **DO NOT OVERREACH.** Keep proper footing/balance at all times.
19. **USE THE RECOMMENDED ACCESSORIES.** Consult owner's manual for recommended accessories. The use of improper accessories may cause risk of injury.
20. **CHECK FOR DAMAGED PARTS BEFORE USING.** Check for binding and alignment of parts, broken parts, part mounting, loose bolts, and any other conditions that may affect machine operation. Repair or replace damaged parts.
21. **NEVER LEAVE UNATTENDED TOOL CONNECTED TO AIR.** Disconnect the air hose and do not leave tool until it is relieved of any built up pressure.
22. **NEVER ALLOW UNTRAINED USERS TO USE THIS TOOL WHILE UNSUPERVISED.**
23. **IF YOU ARE UNSURE OF THE INTENDED OPERATION, STOP USING TOOL.** Seek formal training or research books or magazines that specialize in pneumatic tools.
24. **BE AWARE OF HOSE LOCATION WHEN USING PNEUMATIC TOOLS.** Hoses can easily become a tripping hazard when laid across the floor or spread out in a disorganized fashion.

# WARNING

## Additional Safety Instructions for Nailers

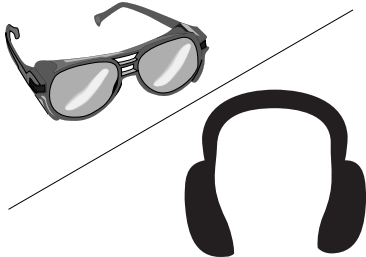
1. **HAND INJURIES:** Do not place your hands near the nail point of entry. A nail can deflect and tear through the surface of the workpiece, puncturing your hand or fingers.
2. **COMBUSTIBLE GASES:** Never connect the nailer to pressurized oxygen or other combustible gases as a power source. Only use filtered, lubricated, and regulated compressed air.
3. **SAFE HANDLING:** Never point the nailer at others! Do not keep the trigger pulled when loading fasteners, carrying, or holding tool. Carry the nailer only by the handle, never by any other part. Do not carry the nailer by the air hose. Disconnect the nailer from the air hose when going up and down ladders.
4. **MODIFICATIONS:** DO NOT modify this tool or bypass the safety nose mechanism.
5. **CHECK VALVE:** Do not use a check valve or any other fitting that allows air to remain in the tool.
6. **HOSE USAGE:** Make sure your air hose is designed for the tool in use, is in good condition, and is long enough to reach your work without stretching. However, an overly long air hose in the work area may be a tripping hazard.
7. **OPERATING QUESTIONS:** If you are not sure about the intended operation, stop using the nailer. Seek formal training.
8. **CLEANING:** Never use gasoline or other flammable liquids to clean the nailer; vapors in the nailer will ignite by a spark and cause it to explode.
9. **MAINTENANCE:** Always disconnect air from the nailer when servicing or installing nails. During maintenance, a nailer connected to air may fire accidentally, causing serious personal injury.
10. **COMPRESSED AIR RATING:** Do not connect the nailer to compressed air that exceeds 120 PSI.

## **!WARNING**



Read the manual before operation. Become familiar with this nailer, its safety instructions, and its operation before beginning any work. Serious personal injury may result if safety or operational information is not understood or followed.

## **!WARNING**



Operating this nailer can propel objects into the air, causing immediate eye damage. To protect yourself, always wear American National Standards Institute (ANSI) approved safety glasses or goggles when operating this equipment. In addition, this nailer discharges at up to 85-90 decibels. To protect your hearing, always wear ANSI approved ear protection when operating this nailer.

## **!WARNING**

Never point this nailer at yourself or another person! Always pay attention to the direction this nailer is pointed. Use this tool with respect and caution to lessen the possibility of operator or bystander injury. Ignoring this warning may result in serious personal injury.

## **!CAUTION**

Nailer accidents routinely happen while moving the gun to another location, such as up ladders, to another room, or even another job site. Always disconnect the gun immediately after use and never transport the gun while connected to the air—even if the air compressor is disconnected from its power source!

## **!CAUTION**

No list of safety guidelines can be complete. Every shop environment is different. Always consider safety first, as it applies to your individual working conditions. Use this and other tools with caution and respect. Failure to do so could result in serious personal injury, damage to equipment or poor work results.

# INTRODUCTION

---

---

## Foreword

---

---

We are proud to offer the Grizzly Model H8234 28° Framing Nailer. This model is part of a growing Grizzly family of fine pneumatic tools. When used according to the guidelines set forth in this manual, you can expect years of trouble-free, enjoyable operation and proof of Grizzly's commitment to customer satisfaction.

The specifications, details, and photographs in this manual represent the Model H8234 as supplied when the manual was prepared. However, owing to Grizzly's policy of continuous improvement, changes may be made at any time with no obligation on the part of Grizzly.

## Tool Data

---

---

Nail Size ..... 1/8" Shank Diameter  
Nail Strip Angle..... 28° Clipped Head  
Nail Length ..... 2"-3 1/2"  
Magazine Capacity ..... 2 x 25 Nails  
Air Inlet ..... 1/4" NPT  
Weight ..... 8 3/4 lbs.  
Operating Pressure ..... 80-110 PSI  
Maximum Air Pressure..... 120 PSI

## Contact Info

---

---

If you have any comments regarding this manual, please contact us:

Grizzly Industrial, Inc.  
C/O Technical Documentation Manager  
P.O. Box 2069  
Bellingham, WA 98227-2069  
Email: manuals@grizzly.com

Most importantly, we stand behind our tools. If you have any service questions or parts requests, please call or write us at the location listed below.

Grizzly Industrial, Inc.  
1203 Lycoming Mall Circle  
Muncy, PA 17756  
Phone: (570) 546-9663  
Fax: (800) 438-5901  
E-Mail: techsupport@grizzly.com  
Web Site: <http://www.grizzly.com>

# SET UP

## Unpacking

Your new nailer was carefully packaged for safe shipping. If you discover any damage after you have signed for delivery, *immediately call Customer Service at (570) 546-9663 for advice.*

Save the containers and all packing materials for possible inspection by the carrier or its agent. *Otherwise, filing a freight claim can be difficult.*

When you are completely satisfied with the condition of the shipment, you should inventory the contents.

## Inventory

After you open the nailer box, you should find the following.

Model H8234 Inventory (Figure 1)	Qty
A. 28° Framing Nailer.....	1
B. Safety Goggles .....	1
C. Oil.....	1
D. Hex Wrench Set (3–6mm) .....	1
E. Carrying Case .....	1



Figure 1. Model H8234 inventory.



# Compressed Air System

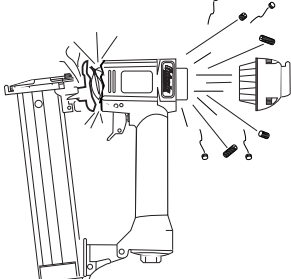
The Model H8234 is designed to be operated at 80-110 PSI using clean, dry, regulated, compressed air. **DO NOT exceed the 120 PSI maximum operating pressure for your model.**

Before using your new nailer, regulate the air pressure to find the optimum setting within the specified operating range. Start by testing the nailer at a low setting, then increase the air pressure as needed for satisfactory results.

An in-line filter/lubricator/regulator unit can be installed, as depicted in **Figure 2**.

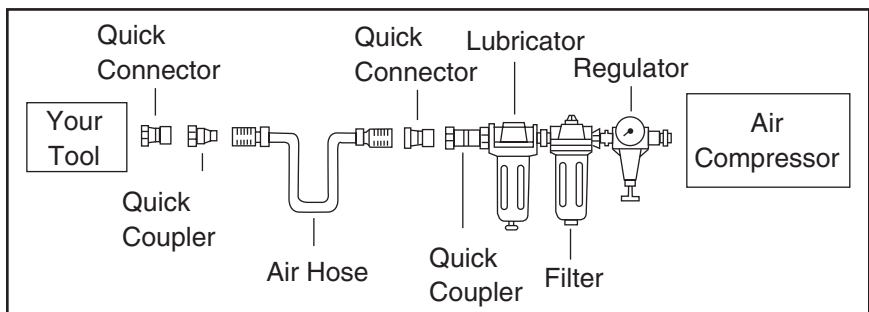
This filter/lubricator/regulator unit will protect your tool from damaging water build-up, allow you to adjust and maintain constant air pressure to your tool, and save you the inconvenience of having to manually lubricate your tool every time you use it.

**⚠ WARNING**



**Exceeding the maximum permissible operating pressure may damage the nailer and cause it to malfunction. To protect yourself from personal injury, DO NOT allow the air pressure to exceed the recommended pressure for this nailer!**

Check the current Grizzly catalog for availability of this unit. If you plan on installing a filter/lubricator/regulator unit in your compressed air system, always follow the connection instructions that come with the unit.



**Figure 2.** Typical filter/lubricator/regulator installation order.

# Safety Nose Mechanism

---

---

A safety mechanism (bump fire) on the nose of the nailer protects against accidental firing. When the trigger is pressed, the nailer will not fire until the safety nose mechanism is depressed.

Before you use your nailer for the first time, check the safety nose mechanism to ensure proper function.

## To check the safety nose mechanism:

1. DISCONNECT NAILER FROM THE AIR SUPPLY!
2. Make sure the magazine is empty and contains no nails.
3. Make sure the trigger and the safety nose mechanism move up and down without sticking.
4. Connect the nailer to the air supply.

## WARNING

The safety mechanism is a mechanical device that can fail. Never rely on this mechanism as an excuse to point the nailer at yourself or any bystanders. Serious injury may occur.

5. **Without pressing the trigger**, depress the safety nose mechanism against a scrap piece of wood that is clean and free of any knots, nails, or other foreign objects.

- If the nailer **does not fire**, then the safety nose mechanism is working correctly.
- If the nailer **does fire** when you do this, immediately disconnect the nailer from the air supply and call Grizzly Technical Support at (570) 546-9663 for help.
- If the nailer **does fire** when the trigger is pulled, without the safety nose mechanism being depressed, then the nailer is not working properly.
- If you find that the safety nose mechanism is not depressing properly, check the lubrication of its sliding components.

## WARNING

**DO NOT attempt to modify or bypass the safety nose mechanism to make the nailer fire without pushing the safety nose down.**

# OPERATIONS

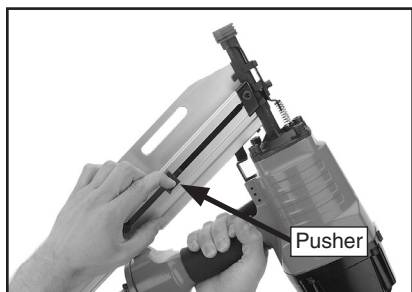
## Loading

When replacing nails in your Model H8234, follow these guidelines:

Nail Size ..... 1/8" Shank Diameter  
Nail Strip Angle..... 28° Clipped Head  
Length..... 2"-3 1/2"  
Magazine Capacity ..... 2 x 25 Nails

### To load your nailer:

1. DISCONNECT NAILER FROM THE AIR SUPPLY!
2. Grip the nailer firmly, and pull the magazine pusher back until the catch lever engages, as shown in **Figure 3**.



**Figure 3.** Sliding magazine pusher back and engaging catch lever.

3. Insert a strip of nails, pointed-end down, into the magazine as shown in **Figure 4**.



**Figure 4.** Loading nails into magazine.

4. Tilt the nailer to slide the nails all the way down to the nose.
5. With one hand on the magazine pusher for control, release the magazine catch and slowly allow the pusher to press against the nails.

## Operating

**If you have not read the safety instructions in this manual, do not operate the nailer.**

Before you operate your nailer, place five to six drops of the included oil into the quick connect fitting where the nailer connects to the air supply.

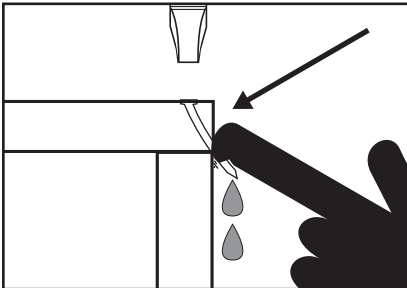
### To operate your nailer:

1. Connect the air supply to the quick connect fitting.
2. To test for proper nail penetration, hold the nailer perpendicular to the surface of a piece of clean scrap wood that is thick enough for the length of nails you have loaded.

3. Depress the safety nose mechanism against your workpiece.
4. Before pulling the trigger, make sure your free hand and other body parts are positioned out of the way of a potential path of a nail in case of deflection.

Deflection is caused when grain irregularities, knots, or foreign objects inside the wood cause the nail to change its path, resulting in the nail puncturing the surface of the workpiece, as shown in **Figure 5**.

Besides damaging your workpiece, deflection can cause injury if your free hand is securing the workpiece in the location that the nail deflects.



**Figure 5.** Example of nail deflection.

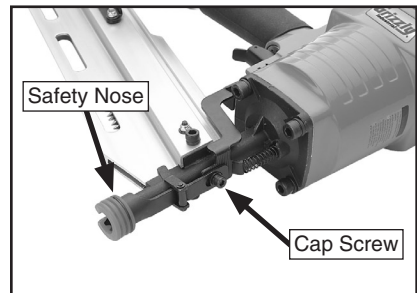
5. Pull the trigger.
  - If the nail drove into the wood far enough, continue with your intended operations.
  - If the nail either went too far or not far enough, then go to the **Adjusting Depth** section on this page.

## Adjusting Depth

The depth of nail penetration is adjusted with the cap screw that secures the safety nose.

### To adjust the depth:

1. DISCONNECT NAILER FROM THE AIR SUPPLY!
2. Using a 4mm hex wrench, loosen the cap screw shown in **Figure 6**.
3. Move the safety nose away from the nailer to decrease nail depth, and toward the nailer to increase nail depth.



**Figure 6.** Loosening cap screw for depth adjustment.

4. Re-tighten the cap screw, then connect the nailer to the air supply and test the nail depth.
5. Repeat **Steps 2–4**, if necessary, until the nail depth is satisfactory.

# Clearing Jammed Nails

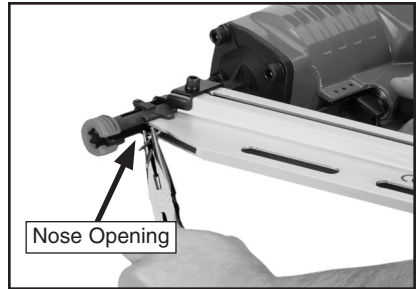
---

---

A jammed nail must be cleared before using the nailer again.

**To clear a jammed nail from the discharge area:**

1. DISCONNECT NAILER FROM THE AIR SUPPLY!
2. Pull back and latch the magazine pusher.
3. Remove the nail stick from the magazine.
4. Locate the opening in the underside of the nailer safety nose (see **Figure 7**).



**Figure 7.** Nose opening for clearing a jammed nail.

5. Dislodge the jammed nail with a tool that will fit in the slot on the underside of the nose.
6. Throw the damaged nail away and insert a new nail stick that only contains clean, undamaged nails. **DO NOT** use dirty or damaged nails!
7. Release the catch lever and slowly let the pusher slide to the front of the magazine.

# Replacing Pistons/O-Rings

Under heavy use, a piston, piston shaft, or O-ring may wear out. Replacement is quick and easy. Contact Grizzly Customer Service at (800) 523-4777 to obtain the Piston Repair Kit (Part Number PH8234092), or the complete O-Ring Repair Kit (Part Number PH8234093).



## To replace a piston:

1. DISCONNECT NAILER FROM THE AIR SUPPLY!
2. Remove all nails from the magazine cartridge, and clean the exterior of the nailer.
3. Remove the four cap screws on the back of the nailer, near the exhaust port.
4. Remove the cap.
5. The top of the piston should now be visible inside the cylinder, which is housed in the head of the nailer.
6. Watch the discharge area and push the top of the piston with your finger. You will see the piston shaft slide down the discharge area.
7. Taking care not to scratch or dent the nailer parts, use a wooden dowel or similarly shaped tool to push the piston shaft back inside the nailer until you can grip the piston head and remove it from the cylinder. Clean and inspect the parts for cracks, wear, or burrs.
8. Place a new O-ring on the new piston and apply a thin film of the nailer lubricating oil on the O-ring.
9. Insert the new piston in the cylinder. Make sure that the grooves on the piston shaft line up with those on the guide at the bottom of the cylinder. The new piston should easily slide into the cylinder. **DO NOT force the piston into the cylinder!** If the piston is not easily inserted, double-check the alignment of the piston shaft with the grooves on the guide.
10. After the piston is inserted correctly, close the magazine. Replace the rear cap assembly and tighten the 4 cap screws.

**Note:** For more assistance, or to install a complete O-ring set, refer to the appropriate breakdown diagram in the back of this manual for component locations.

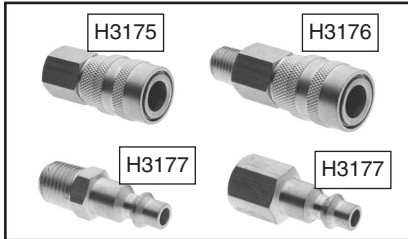
# ACCESSORIES

**H3175**— $\frac{1}{4}$ " NPT Female, Quick Coupler

**H3176**— $\frac{1}{4}$ " NPT Male, Quick Coupler

**H3177**— $\frac{1}{4}$ " NPT Male, Plug

**H3178**— $\frac{1}{4}$ " NPT Female, Plug



**Figure 8.**  $\frac{1}{4}$ " NPT air fittings.

**H3258**—Filter/Lube/Regulator  $\frac{3}{8}$ "NPT

**H3259**—Filter/Lube/Regulator  $\frac{1}{2}$ "NPT

These units are indispensable for prolonging the lifespan of your air tools. Filter keeps water/rust out. Lubricator features adjustable automatic lubrication. Regulator allows you to control the optimum PSI delivery for each air tool. Maximum pressure for each unit is 150 PSI.



**Figure 9.** Models H3258 & H3259 FilterLubricator/Regulators.

**G2820**—Pneumatic Tool Oil 8 oz.

**G2821**—Pneumatic Tool Oil 1 Pint

Use the right oil! This pneumatic tool oil offers outstanding heat displacement and friction reduction without eating away at delicate air components like detergent motor oils. Stock up with extra bottles to avoid costly downtime.

**G8114**— $\frac{3}{8}$ " x 25 Ft. Air Hose

**G8115**— $\frac{3}{8}$ " x 50 Ft. Air Hose

**G8116**— $\frac{3}{8}$ " x 100 Ft. Air Hose

Multi-purpose red rubber air hose is flexible and abrasion resistant. Rated for 200 PSI, this air hose has a bursting strength of 800 PSI  $\frac{1}{4}$ " NPT ends.

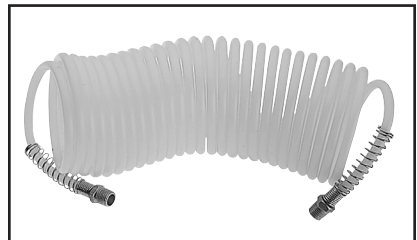


**Figure 10.** Red rubber air hose.

**H3275**— $\frac{1}{4}$ " x 25' Recoil Air Hose

**H3275**— $\frac{1}{4}$ " x 50' Recoil Air Hose

These recoil air hoses are ideal for nailers and staplers because they are light weight and offer maneuverability in tight places that is unmatched by rubber hoses. Coiled springs protect the ends from kinking. (Prices are less than you'll spend on lunch!)



**Figure 11.** Recoil air hose.

**Call 1-800-523-4777 To Order**

# CLEANING & LUBRICATION

## Cleaning

Use non-flammable solvent to clean the nose assembly of the nailer. Always be sure that the nailer is dry before using it again.

Do not allow dust, chips, sand, etc. into the air connectors or into the body of the nailer; this may result in leaks and damage to the nailer and the air couplings.

**⚠ WARNING**



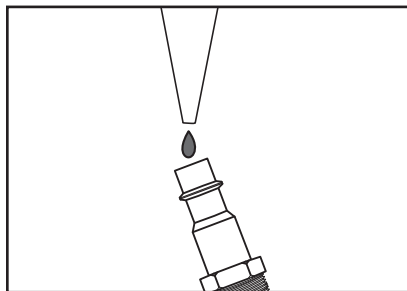
**Never clean this tool with gasoline or other flammable liquids. Vapors in the tool may ignite, causing the tool to explode. Ignoring this warning may lead to serious personal injury or even death!**

## Lubricating

Standard pneumatic tool oil has been included with your new Grizzly nailer to help maintain its useful life. Place two to six drops of oil in the nailer air inlet (as shown in **Figure 12**) before every use, or after 2 hours of continuous use.

Wipe off any excess oil near the nailer exhaust to avoid dust build-up. When the oil that was included with the nailer has been completely used, replace with Grizzly Model G2820 Pneumatic Tool Oil.

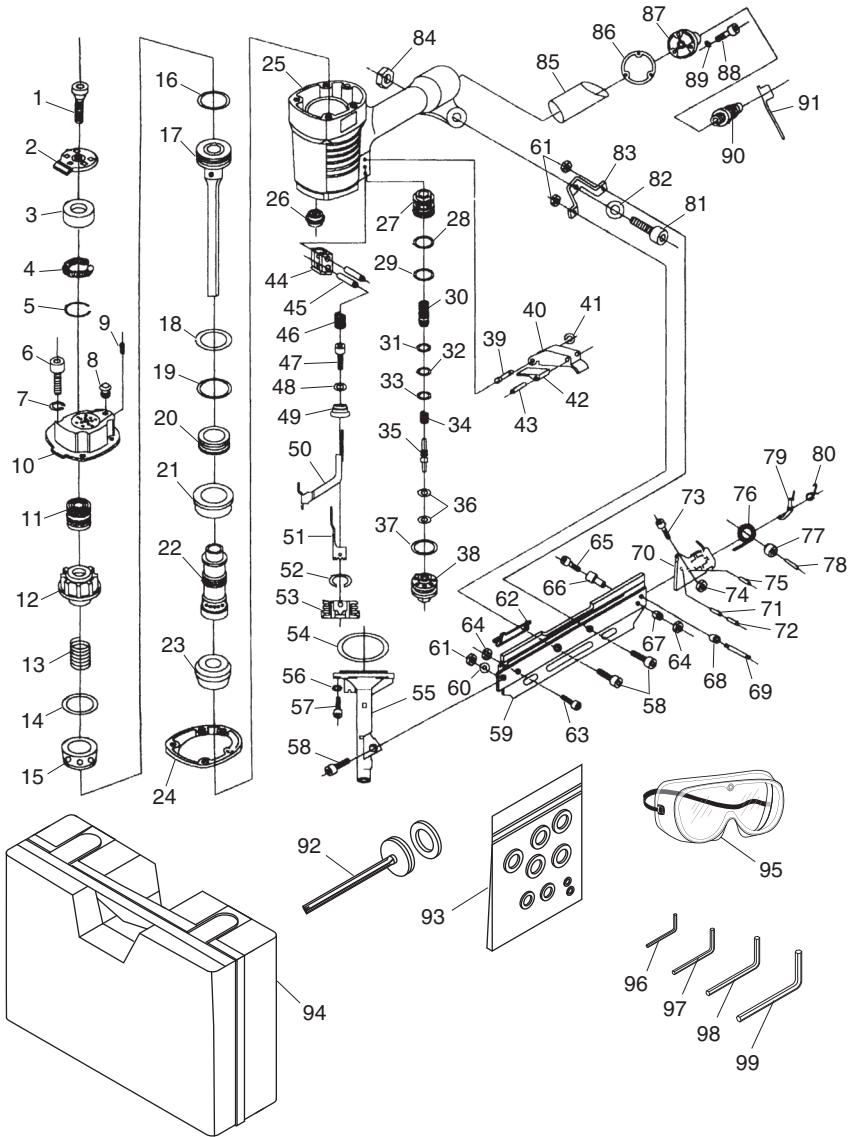
Another option to manual oiling would be to install a lubricator in your air compressor line. If your air compressor line already has a lubricator, then regular lubrication of your nailer will not be necessary. Just make sure there is always oil in the lubricator.



**Figure 12.** Lubricating nailer via air inlet.



# H8234 PARTS BREAKDOWN



# H8234 PARTS LIST

REF PART #	DESCRIPTION
1	PSB31M CAP SCREW M8-1.25 X 25
2	PH8234002 EXHAUST PORT
3	PH8234003 SPACER
4	PH8234004 CIRCULAR SPRING
5	PH8234005 RETAINING RING
6	PSB06M CAP SCREW M6-1 X 25
7	PLW03M LOCK WASHER 6MM
8	PH8234008 CYLINDER PLUG
9	PSS07M SET SCREW M5-.8 X 5
10	PH8234010 CYLINDER COVER
11	PH8234011 PISTON STOP
12	PH8234012 SPRING SEAT
13	PH8234013 COMPRESSION SPRING
14	PH8234014 SPECIAL WASHER
15	PH8234015 PISTON COLLAR
16	POR0079 O-RING 42.3 X 5
17	PH8234017 PISTON
18	PORG055 O-RING 54.4 X 3.1 G55
19	POR0080 O-RING 88 X 3
20	PH8234020 THREADED RETAINING RING
21	PH8234021 SEALING RING
22	PH8234022 CYLINDER
23	PH8234023 BUMPER
24	PH8234024 GASKET
25	PH8234025 NAILER BODY
26	PH8234026 SPACER
27	PH8234027 PISTON VALVE SEAT
28	PORP015 O-RING 14.8 X 2.4 P15
29	PORS018 O-RING 17.5 X 1.5 S18
30	PH8234030 PISTON VALVE
31	PORP006 O-RING 5.8 X 1.9 P6
32	PORP007 O-RING 6.8 X 1.9 P7
33	PORP009 O-RING 8.8 X 1.9 P9
34	PH8234034 COMPRESSION SPRING
35	PH8234035 TRIGGER SHAFT
36	PORS003 O-RING 2.5 X 1.5 S3
37	PORP020 O-RING 19.8 X 2.4 P20
38	PH8234038 TRIGGER SEAT
39	PH8234039 TRIGGER PIN
40	PH8234040 TRIGGER
41	PH8234041 RUBBER RETAINING RING
42	PH8234042 SAFETY CATCH
43	PRP02M ROLL PIN 3 X 16
44	PH8234044 SLIDING BRACKET
45	PRP16M ROLL PIN 3 X 25
46	PH8234046 COMPRESSION SPRING
47	PSB03M CAP SCREW M5-.8 X 8
48	PW02M FLAT WASHER 5MM
49	PH8234049 ADJUSTING NUT
50	PH8234050 SAFETY YOKE

REF PART #	DESCRIPTION
51	PH8234051 SAFETY NOSE
52	PH8234052 COPPER COLLAR
53	PH8234053 SAFETY NOSE CASE
54	PORS060 O-RING 59.5 X 2.0 S60
55	PH8234055 DRIVE GUIDE
56	PLW04M LOCK WASHER 8MM
57	PSB13M CAP SCREW M8-1.25 X 30
58	PSB26M CAP SCREW M6-1 X 12
59	PH8234059 MAGAZINE
60	PW03M FLAT WASHER 6MM
61	PN01M HEX NUT M6-1
62	PH8234062 PUSHER
63	PSB18M CAP SCREW M4-.7 X 8
64	PN04M HEX NUT M4-.7
65	PSB46M CAP SCREW M4-.7 X 40
66	PH8234066 SAFETY SHAFT
67	PH8234067 SAFETY SHAFT CASING
68	PH8234068 PIN CASING
69	PH8234069 PIN
70	PH8234070 PUSHER CATCH
71	PRP42M ROLL PIN 3 X 20
72	PRP03M ROLL PIN 5 X 20
73	PSB93M CAP SCREW M3-.5 X 14
74	PN07M HEX NUT M3-.5
75	PH8234075 PIN B4 X 30
76	PH8234076 TORSION SPRING
77	PH8234077 SPRING CORE
78	PH8234078 PIN B5 X 12
79	PH8234079 RELEASE LATCH
80	PH8234080 LATCH SPRING
81	PSB38M CAP SCREW M5-.8 X 25
82	PW02M FLAT WASHER 5MM
83	PH8234083 LATCH BRACKET
84	PN06M HEX NUT M5-.8
85	PH8234085 RUBBER GRIP
86	PH8234086 GASKET
87	PH8234087 END CAP
88	PSB15M CAP SCREW M5-.8 X 20
89	PLW01M LOCK WASHER 5MM
90	PH8234090 AIR QUICK CONNECT
91	PH8234091 AIR QUICK CONNECT CAP
92	PH8234092 PISTON REPAIR KIT
93	PH8234093 O-RING REPAIR KIT
94	PH8234094 CARRYING CASE
95	PH8234095 SAFETY GOGGLES
96	PAW03M HEX WRENCH 3MM
97	PAW04M HEX WRENCH 4MM
98	PAW05M HEX WRENCH 5MM
99	PAW06M HEX WRENCH 6MM

# TROUBLESHOOTING

Symptom	Possible Cause	Solution
Air leaking at trigger valve area.	1. O-rings in trigger valve housing are damaged.	1. O-rings must be replaced & operation of safety nose must be checked.
Air leaking.	1. Loose screws in housing. 2. Damaged O-ring(s). 3. Loose air fitting.  4. Damaged housing gasket(s).	1. Tighten screws. 2. Replace O-ring(s). 3. Tighten air fitting & use teflon tape. 4. Replace gasket(s).
Tool skips nails while discharging.	1. Excessive air pressure. 2. Air leaks. 3. Dirt in nose. 4. Dirt or damage prevents nails from moving freely in magazine. 5. Inadequate air flow to tool.  6. Worn O-ring on piston or lack of lubrication. 7. Damaged O-rings on trigger valve. 8. Worn bumper. 9. Cap seal leaking.	1. Reduce air pressure to tool. 2. Tighten screws and fittings. 3. Clean nose. 4. Clean magazine and inspect/repair damage.  5. Check fitting, hose, compressor & air pressure. 6. Replace piston O-ring. Lubricate. 7. Replace trigger valve O-rings. 8. Replace bumper. 9. Replace cap seal.
Tool runs slowly or has a loss of power.	1. Undersized air hose. 2. Nailer is not lubricated. 3. Broken spring in cap assembly. 4. Exhaust port in cap is blocked.  5. Air pressure too low.	1. Use a larger air hose. 2. Lubricate nailer. 3. Replace spring.  4. Clean or replace damaged internal parts. 5. Increase air pressure.
Fasteners frequently jam the nailer.	1. Nails are the wrong size. 2. Nails are bent or dirty.  3. Magazine or nose screws are loose. 4. Driver or driver guide are worn or damaged. 5. Nails are wrong angle.	1. Use correct nails. 2. Use undamaged, clean nails. 3. Tighten magazine.  4. Replace worn or damaged parts. 5. Use correct angle nails.
Nailer does not fire.	1. Nailer is not lubricated. 2. Nail is jammed in magazine or discharge area. 3. Piston shaft is damaged. 4. Air pressure too low.	1. Lubricate nailer. 2. Clear nailer magazine or discharge area. 3. Replace piston shaft. 4. Check/increase air pressure.

# WARRANTY AND RETURNS

---

---

Grizzly Industrial, Inc. warrants every product it sells for a period of **1 year** to the original purchaser from the date of purchase. This warranty does not apply to defects due directly or indirectly to misuse, abuse, negligence, accidents, repairs or alterations or lack of maintenance. This is Grizzly's sole written warranty and any and all warranties that may be implied by law, including any merchantability or fitness, for any particular purpose, are hereby limited to the duration of this written warranty. We do not warrant or represent that the merchandise complies with the provisions of any law or acts unless the manufacturer so warrants. In no event shall Grizzly's liability under this warranty exceed the purchase price paid for the product and any legal actions brought against Grizzly shall be tried in the State of Washington, County of Whatcom.

We shall in no event be liable for death, injuries to persons or property or for incidental, contingent, special, or consequential damages arising from the use of our products.

To take advantage of this warranty, contact us by mail or phone and give us all the details. We will then issue you a "Return Authorization Number," which must be clearly posted on the outside as well as the inside of the carton. We will not accept any item back without this number. Proof of purchase must accompany the merchandise.

The manufacturers reserve the right to change specifications at any time because they constantly strive to achieve better quality equipment. We make every effort to ensure that our products meet high quality and durability standards and we hope you never need to use this warranty.

Please feel free to write or call us if you have any questions about the machine or the manual.

**Grizzly Industrial, Inc.**  
**1203 Lycoming Mall Circle**  
**Muncy, PA 17756**  
**Phone: (570) 546-9663**  
**Fax: (800) 438-5901**

**E-Mail:**  
**techsupport@grizzly.com**

**Web Site: <http://www.grizzly.com>**

Thank you again for your business and continued support. We hope to serve you again soon!

## Free Manuals Download Website

<http://myh66.com>

<http://usermanuals.us>

<http://www.somanuals.com>

<http://www.4manuals.cc>

<http://www.manual-lib.com>

<http://www.404manual.com>

<http://www.luxmanual.com>

<http://aubethermostatmanual.com>

Golf course search by state

<http://golfingnear.com>

Email search by domain

<http://emailbydomain.com>

Auto manuals search

<http://auto.somanuals.com>

TV manuals search

<http://tv.somanuals.com>