

# *Grizzly* Industrial, Inc.®

## MODEL H8235 3-PIECE FRAMING/BRAD/PALM NAILER KIT OWNER'S MANUAL



COPYRIGHT © SEPTEMBER, 2007 BY GRIZZLY INDUSTRIAL, INC.  
WARNING: NO PORTION OF THIS MANUAL MAY BE REPRODUCED IN ANY SHAPE  
OR FORM WITHOUT THE WRITTEN APPROVAL OF GRIZZLY INDUSTRIAL, INC.  
#TS9832 PRINTED IN CHINA



## **WARNING!**

**This manual provides critical safety instructions on the proper setup, operation, maintenance and service of this machine/equipment.**

**Failure to read, understand and follow the instructions given in this manual may result in serious personal injury, including amputation, electrocution or death.**

**The owner of this machine/equipment is solely responsible for its safe use. This responsibility includes but is not limited to proper installation in a safe environment, personnel training and usage authorization, proper inspection and maintenance, manual availability and comprehension, application of safety devices, blade/cutter integrity, and the usage of personal protective equipment.**

**The manufacturer will not be held liable for injury or property damage from negligence, improper training, machine modifications or misuse.**



## **WARNING!**

**Some dust created by power sanding, sawing, grinding, drilling, and other construction activities contains chemicals known to the State of California to cause cancer, birth defects or other reproductive harm. Some examples of these chemicals are:**

- **Lead from lead-based paints.**
- **Crystalline silica from bricks, cement and other masonry products.**
- **Arsenic and chromium from chemically-treated lumber.**

**Your risk from these exposures varies, depending on how often you do this type of work. To reduce your exposure to these chemicals: Work in a well ventilated area, and work with approved safety equipment, such as those dust masks that are specially designed to filter out microscopic particles.**

# SAFETY

## **WARNING**

### **For Your Own Safety Read Instruction Manual Before Operating This Equipment**

The purpose of safety symbols is to attract your attention to possible hazardous conditions. This manual uses a series of symbols and signal words which are intended to convey the level of importance of the safety messages. The progression of symbols is described below. Remember that safety messages by themselves do not eliminate danger and are not a substitute for proper accident prevention measures.



Indicates an imminently hazardous situation which, if not avoided, **WILL** result in death or serious injury.



Indicates a potentially hazardous situation which, if not avoided, **COULD** result in death or serious injury.



Indicates a potentially hazardous situation which, if not avoided, **MAY** result in minor or moderate injury. It may also be used to alert against unsafe practices.

**NOTICE**

This symbol is used to alert the user to useful information about proper operation of the equipment.

## **WARNING**

### **Safety Instructions for Pneumatic Tools**

- KEEP ALL SAFETY DEVICES IN PLACE** and in working order.
- REMOVE ADJUSTING KEYS AND WRENCHES.** Form habit of checking to see that keys and adjusting wrenches are removed from tool before operation.
- KEEP WORK AREA CLEAN.** Cluttered areas and benches invite accidents.
- DO NOT USE IN DANGEROUS ENVIRONMENT.** Do not use pneumatic tools in damp or wet locations, or where any flammable or noxious fumes may exist. Keep work area well lighted.
- KEEP CHILDREN AND VISITORS AWAY.** All children and visitors should be kept at a safe distance from work area.
- MAKE WORKSHOP CHILD PROOF** by locking your shop and shutting off air valves.
- DO NOT FORCE TOOL.** It will do the job better and safer at the rate for which it was designed.
- USE THE RIGHT TOOL.** Do not force tool or attachment to do a job for which it was not designed.
- DO NOT USE UNDER THE INFLUENCE OF DRUGS OR ALCOHOL.**

# WARNING

## Safety Instructions for Pneumatic Tools

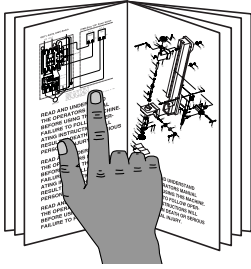
10. **USE PROPER AIR HOSE** for the tool. Make sure your air hose is in good condition and is long enough to reach your work without stretching.
11. **WEAR PROPER APPAREL.** Do not wear loose clothing, gloves, neckties, rings, bracelets, or other jewelry which may get caught in moving parts. Non-slip footwear is recommended. Wear a protective hair covering to contain long hair.
12. **ALWAYS USE SAFETY GLASSES.** Also use a face or dust mask if cutting operation is dusty. Everyday eyeglasses only have impact resistant lenses, they are NOT safety glasses.
13. **WEAR APPROVED HEARING PROTECTION.** Air escaping from pneumatic tools can exceed safe exposure limits and may cause hearing damage with prolonged exposure.
14. **SECURE WORK.** Use clamps or a vise to hold work when practical. It is safer than using your hand and frees both hands to operate tool.
15. **MAINTAIN TOOLS WITH CARE.** Keep tools lubricated and clean for best and safest performance. Follow instructions for lubricating and changing accessories.
16. **REDUCE THE RISK OF UNINTENTIONAL FIRING.** Do not carry tool with hand on trigger and always disconnect from air when not in use.
17. **DISCONNECT TOOLS** before servicing, changing accessories, or moving to another location.
18. **DO NOT OVERREACH.** Keep proper footing/balance at all times.
19. **USE THE RECOMMENDED ACCESSORIES.** Consult owner's manual for recommended accessories. The use of improper accessories may cause risk of injury.
20. **CHECK FOR DAMAGED PARTS BEFORE USING.** Check for binding and alignment of parts, broken parts, part mounting, loose bolts, and any other conditions that may affect machine operation. Repair or replace damaged parts.
21. **NEVER LEAVE UNATTENDED TOOL CONNECTED TO AIR.** Disconnect the air hose and do not leave tool until it is relieved of any built up pressure.
22. **NEVER ALLOW UNTRAINED USERS TO USE THIS TOOL WHILE UNSUPERVISED.**
23. **IF YOU ARE UNSURE OF THE INTENDED OPERATION, STOP USING TOOL.** Seek formal training or research books or magazines that specialize in pneumatic tools.
24. **BE AWARE OF HOSE LOCATION WHEN USING PNEUMATIC TOOLS.** Hoses can easily become a tripping hazard when laid across the floor or spread out in a disorganized fashion.

# WARNING

## Additional Safety Instructions for Nailers

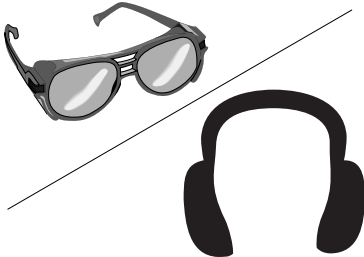
- 1. HAND INJURIES:** Do not place your hands near the nail point of entry. A nail can deflect and tear through the surface of the workpiece, puncturing your hand or fingers.
- 2. COMBUSTIBLE GASES:** Never connect the nailer to pressurized oxygen or other combustible gases as a power source. Only use filtered, lubricated, and regulated compressed air.
- 3. SAFE HANDLING:** Never point the nailer at others! Do not keep the trigger pulled when loading fasteners, carrying, or holding tool. Carry the nailer only by the handle, never by any other part. Do not carry the nailer by the air hose. Disconnect the nailer from the air hose when going up and down ladders.
- 4. MODIFICATIONS:** DO NOT modify this tool or bypass the safety nose mechanism.
- 5. CHECK VALVE:** Do not use a check valve or any other fitting that allows air to remain in the tool.
- 6. HOSE USAGE:** Make sure your air hose is designed for the tool in use, is in good condition, and is long enough to reach your work without stretching. However, an overly long air hose in the work area may be a tripping hazard.
- 7. OPERATING QUESTIONS:** If you are not sure about the intended operation, stop using the nailer. Seek formal training.
- 8. CLEANING:** Never use gasoline or other flammable liquids to clean the nailer; vapors in the nailer will ignite by a spark and cause it to explode.
- 9. MAINTENANCE:** Always disconnect air from the nailer when servicing or installing nails. During maintenance, a nailer connected to air may fire accidentally, causing serious personal injury.
- 10. COMPRESSED AIR RATING:** Do not connect the nailer to compressed air that exceeds 120 PSI.

## **!WARNING**



Read the manual before operation. Become familiar with these nailers, their safety instructions, and their operation before beginning any work. Serious personal injury may result if safety or operational information is not understood or followed.

## **!WARNING**



Operating these nailers can propel objects into the air, causing immediate eye damage. To protect yourself, always wear American National Standards Institute (ANSI) approved safety glasses or goggles when operating this equipment. In addition, these nailers discharge at up to 85-90 decibels. To protect your hearing, always wear ANSI approved ear protection when operating these nailers.

## **!WARNING**

Never point these nailers at yourself or another person! Always pay attention to the direction these nailers are pointed. Use these tools with respect and caution to lessen the possibility of operator or bystander injury. Ignoring this warning may result in serious personal injury.

## **!CAUTION**

Nailer accidents routinely happen while moving the gun to another location, such as up ladders, to another room, or even another job site. Always disconnect the gun immediately after use and never transport the gun while connected to the air—even if the air compressor is disconnected from its power source!

## **!CAUTION**

No list of safety guidelines can be complete. Every shop environment is different. Always consider safety first, as it applies to your individual working conditions. Use this and other tools with caution and respect. Failure to do so could result in serious personal injury, damage to equipment or poor work results.

# INTRODUCTION

---

---

## Foreword

---

---

The specifications, details, and photographs in this manual represent the Model H8235 as supplied when the manual was prepared. However, owing to Grizzly's policy of continuous improvement, changes may be made at any time with no obligation on the part of Grizzly.

If you have any comments regarding this manual, please write to us at the following address:

Grizzly Industrial, Inc.  
C/O Technical Documentation  
P.O. Box 2069  
Bellingham, WA 98227-2069  
E-Mail: manuals@grizzly.com

Most importantly, we stand behind our tools. If you have any service questions or parts requests, please call or write us at the location listed below.

Grizzly Industrial, Inc.  
1203 Lycoming Mall Circle  
Muncy, PA 17756  
Phone: (570) 546-9663  
Fax: (800) 438-5901  
E-Mail: techsupport@grizzly.com  
Web Site: <http://www.grizzly.com>

## Tool Data

---

---

### Framing Nailer

Nail Size ..... 1/8" Shank Diameter  
Nail Strip Angle.....21° Round Head  
Nail Length .....2"-3 1/2"  
Magazine Capacity..... 60 Nails  
Air Inlet Fitting ..... 1/4" NPT  
Weight .....8 1/2 lbs.  
Operating Air Pressure..... 80-110 PSI  
Maximum Air Pressure ..... 120 PSI

### Brad Nailer

Nail Size ..... 18 Gauge  
Nail Length ..... 5/8"-2"  
Magazine Capacity..... 100 Nails  
Air Inlet Fitting ..... 1/4" NPT  
Weight .....3 1/2 lbs.  
Operating Air Pressure..... 60-100 PSI  
Maximum Air Pressure ..... 120 PSI

### Palm Nailer

Nail Size ..... 5d-70d  
Blows Per Minute ..... 1000  
Average Air Consumption ..... 5 CFM  
Air Inlet Fitting ..... 1/4" NPT  
Weight .....1.9 lbs.  
Operating Air Pressure..... 70-100 PSI  
Maximum Air Pressure ..... 120 PSI

# SET UP

## Unpacking

Your new nailer kit was carefully packaged for safe shipping. If you discover any damage after you have signed for delivery, *immediately call Customer Service at (570) 546-9663 for advice.*

Save the containers and all packing materials for possible inspection by the carrier or its agent. *Otherwise, filing a freight claim can be difficult.*

When you are completely satisfied with the condition of the shipment, you should inventory the contents.

## Inventory

After you open the nailer case, you should find the following.

Model H8235 Inventory (Figure 1)	Qty
A. 21° Framing Nailer.....	1
B. 18 Gauge Brad Nailer.....	1
C. Safety Goggles.....	1
D. Carrying Case.....	1
E. Palm Nailer.....	1
F. Hex Wrench Set (3–6mm).....	1
G. Tool Oil Bottle.....	1
H. Leather Palm Nailer Pouch.....	1

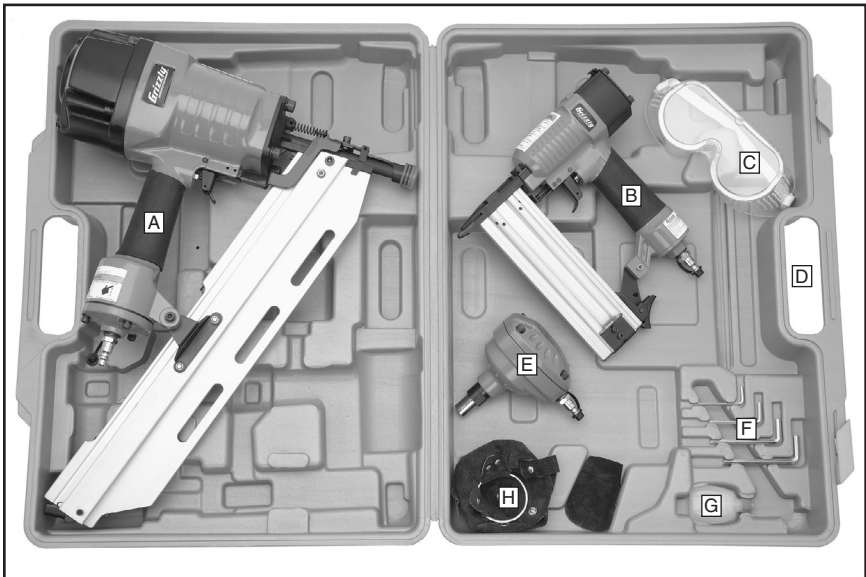


Figure 1. Model H8235 inventory.



# Compressed Air System

The Model H8235 is designed to be operated at the following air pressures using clean, dry, regulated, compressed air:

Nailer	Operating Air Pressure
Framing .....	80–100 PSI
Brad .....	60–100 PSI
Palm .....	70–100 PSI

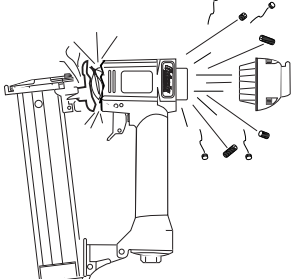
**DO NOT exceed the 120 PSI maximum operating pressure for your nailer.**

Before using your new nailers, regulate the air pressure to find the optimum setting within the specified operating range. Start by testing the nailer at a low setting, then increase the air pressure as needed for satisfactory results.

An in-line filter/lubricator/regulator unit can be installed, as depicted in **Figure 2**.

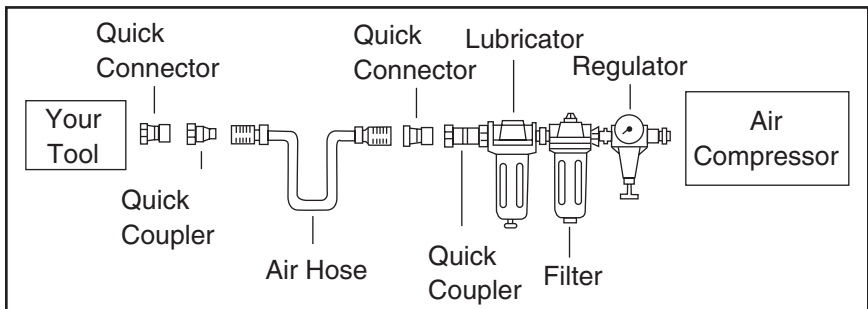
This filter/lubricator/regulator unit will protect your tool from damaging water build-up, allow you to adjust and maintain constant air pressure to your tool, and save you the inconvenience of having to manually lubricate your tool every time you use it.

**⚠ WARNING**



**Exceeding the maximum permissible operating pressure may damage the nailers and cause them to malfunction. To protect yourself from personal injury, DO NOT allow the air pressure to exceed the recommended pressure for these nailers!**

Check the current Grizzly catalog for availability of this unit. If you plan on installing a filter/lubricator/regulator unit in your compressed air system, always follow the connection instructions that come with the unit.



**Figure 2.** Typical filter/lubricator/regulator installation order.

# Safety Nose Mechanism

---

---

A safety mechanism on the nose of the framing and brad nailers protects against accidental firing. When the trigger is pressed, the nailer will not fire until the safety nose mechanism is depressed.

Before you use your nailers for the first time, check the safety nose mechanism to ensure proper function.

## To check the safety nose mechanism:

1. DISCONNECT NAILER FROM THE AIR SUPPLY!
2. Make sure the magazine is empty and contains no nails.
3. Make sure the trigger and the safety nose mechanism move up and down without sticking.
4. Connect the nailer to the air supply.

## WARNING

The safety mechanism is a mechanical device that can fail. Never rely on this mechanism as an excuse to point the nailers at yourself or any bystanders. Serious injury may occur.

5. **Without pressing the trigger**, depress the safety nose mechanism against a scrap piece of wood that is clean and free of any knots, nails, or other foreign objects.

- If the nailer **does not fire**, then the safety nose mechanism is working correctly.
- If the nailer **does fire** when you do this, immediately disconnect the nailer from the air supply and call Grizzly Technical Support at (570) 546-9663 for help.
- If the nailer **does fire** when the trigger is pulled, **without** the safety nose mechanism being depressed, then the nailer is not working properly.
- If you find that the safety nose mechanism is not moving up and down properly, check the lubrication of its sliding components.

## WARNING

**DO NOT attempt to modify or bypass the safety nose mechanism to make the nailers fire without pushing the safety nose down.**

# OPERATIONS

## Loading

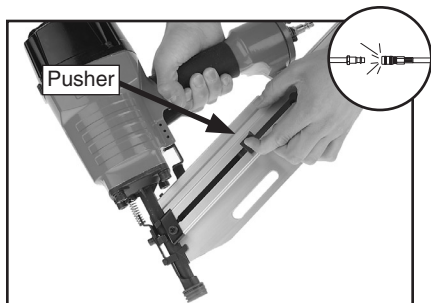
When replacing nails in your Model H8235 framing and brad nailers follow these guidelines:

### Framing Nailer

Nail Size ..... 1/8" Shank Diameter  
Nail Strip Angle.....21° Round Head  
Length.....2"-3 1/2"  
Magazine Capacity ..... 60 Nails

#### To load your framing nailer:

1. DISCONNECT NAILER FROM THE AIR SUPPLY!
2. Grip the nailer firmly and point the nose down, then pull the magazine pusher back until the catch lever engages, as shown in **Figure 3**.



**Figure 3.** Sliding magazine pusher back and engaging catch lever.

3. Insert a strip or two of nails, pointed-end down, into the magazine as shown in **Figure 4**.



**Figure 4.** Loading nails into the magazine.

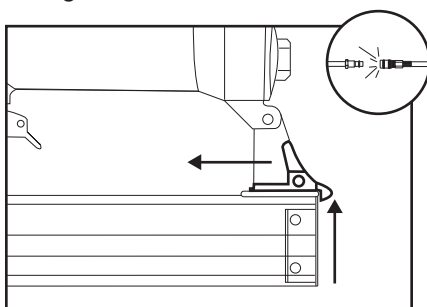
4. Tilt the nailer to slide the nails all the way down to the nose.
5. With one hand on the magazine pusher for control, release the magazine catch and slowly allow the pusher to press against the nails.

### Brad Nailer

Nail Size ..... 18 Gauge  
Nail Length ..... 5/8"-2"  
Magazine Capacity ..... 100 Nails

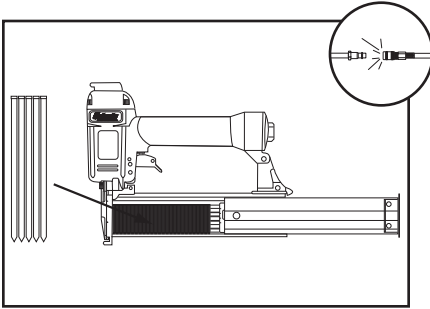
#### To load your brad nailer:

1. DISCONNECT NAILER FROM THE AIR SUPPLY!
2. Press the magazine latch toward the front of the nailer, as shown in **Figure 5**.



**Figure 5.** Pressing the magazine latch.

3. Pull the magazine cover back until it stops.
4. Insert a strip of nails, pointed-end down, into the magazine as shown in **Figure 6**.



**Figure 6.** Loading nails into brad magazine.

5. Slide the nails all the way down to the nose of the nailer.
6. Push the magazine cover forward until the magazine latch locks it in place.

## Operating

**If you have not read the safety instructions in this manual, do not operate the nailer.**

Before you operate your nailers, place five to six drops of the included oil into the quick connect fitting where the nailer connects to the air supply.

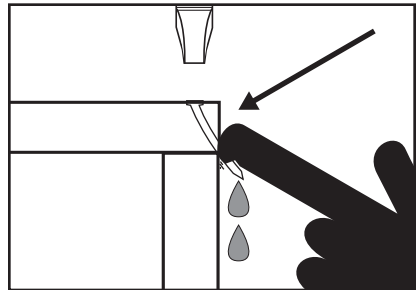
### Framing & Brad Nailer

1. Connect the air supply to the quick connect fitting.
2. To test for proper nail penetration, hold the nailer perpendicular to the surface of a piece of clean scrap wood that is thick enough for the length of nails you have loaded.

3. Depress the safety nose mechanism against your workpiece.
4. Before pulling the trigger, make sure your free hand and other body parts are positioned out of the way of a potential path of a nail in case of deflection.

Deflection is caused when grain irregularities, knots, or foreign objects inside the wood cause the nail to change its path, resulting in the nail puncturing the surface of the workpiece, as shown in **Figure 7**.

Besides damaging your workpiece, deflection can cause injury if your free hand is in the path of the deflecting nail.



**Figure 7.** Example of nail deflection.

5. Pull the trigger.
  - If the nail drove into the wood far enough, continue with your intended operations.
  - If the nail either went too far or not far enough, then go to the **Adjusting Depth** section on the next page.

## Palm Nailer

1. Connect the air supply to the quick connect fitting.
2. Make sure your free hand and other body parts are positioned out of the way of a potential path of a nail in case of deflection.
3. Hold the nail firmly in place with one hand as if using a regular hammer.
4. Place the tip of the palm nailer over the top of the nail. When the ram pin touches the nail head, the nailer will automatically begin to hammer the nail into place.
5. Hold the nailer in place until the sliding depth guide is completely depressed up into the nailer and the nail is fully hammered into the workpiece.

**Note:** You can stop the nailer at any time by simply lifting it away from the nail. This is useful if you do not want to countersink the nail into the workpiece.

If the nailer is allowed to continue hammering until it stops by itself, it will countersink the nail to an approximate depth of 2mm or  $\frac{5}{64}$ ".

### CAUTION

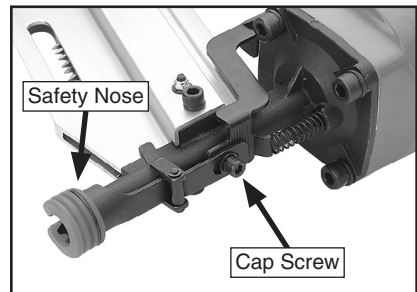
**DO NOT attempt to adjust the depth on your brad nailer. The nose of the brad nailer is not designed to be adjusted. Doing so could cause the safety nose mechanism to malfunction and cause personal injury.**

## Adjusting Framing Nailer Depth

Depending on the type of stock and nails you are using, it may be necessary to adjust the depth of nail penetration for your framing nailer.

### To adjust the depth for your framing nailer:

1. DISCONNECT NAILER FROM THE AIR SUPPLY!
2. Use a 4mm hex wrench to loosen the cap screw shown in **Figure 8**.
3. Move the safety nose away from the nailer body to decrease nail depth, and toward the nailer body to increase nail depth.



**Figure 8.** Loosening cap screw for depth adjustment.

4. Re-tighten the cap screw, then connect the nailer to the air supply and test the nail depth.
5. Repeat **Steps 2-4**, if necessary, until the nail depth is satisfactory.

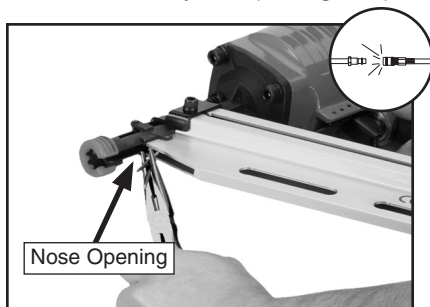
# Clearing Jammed Nails

A jammed nail must be cleared before using the nailer again.

## Framing Nailer

To clear a jammed nail from the discharge area:

1. DISCONNECT NAILER FROM THE AIR SUPPLY!
2. Pull back and latch the magazine pusher.
3. Remove the nail stick from the magazine.
4. Locate the opening in the underside of the nailer safety nose (see **Figure 9**).



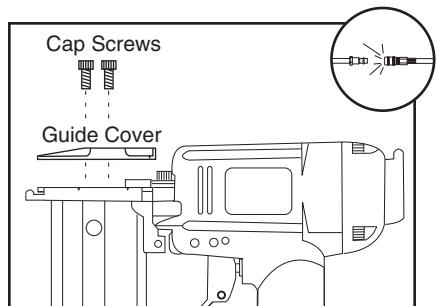
**Figure 9.** Nose opening for clearing a jammed nail.

5. Dislodge the jammed nail with a tool that will fit in the slot on the underside of the nose.
6. Throw the damaged nail away and insert a new nail stick that only contains clean, undamaged nails. **DO NOT** use dirty or damaged nails!
7. Release the catch lever and slowly let the pusher slide to the front of the magazine.

## Brad Nailer

To clear a jammed nail from the discharge area:

1. DISCONNECT NAILER FROM THE AIR SUPPLY!
2. Depress the magazine latch and pull the magazine cover back until it stops.
3. Remove the nail stick from the magazine.
4. Remove the two cap screws and driver guide cover from the nose assembly (see **Figure 10**).



**Figure 10.** Removing guide cover.

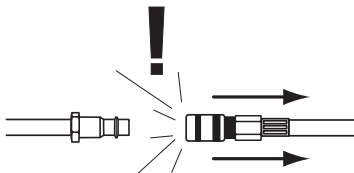
5. The jammed nail should now be visible; remove it with needle nose pliers.
6. Re-install the guide cover with the two cap screws removed in **Step 4**.
7. Throw the damaged nail away and insert a new nail stick that only contains clean, undamaged nails. **DO NOT** use dirty or damaged nails!
8. Push the magazine cover all the way forward until the magazine latch locks it in place.

# Replacing Pistons/ O-Rings

Under heavy use, a piston, piston shaft, or O-ring may wear out. Replacement is quick and easy. Contact Grizzly Customer Service at (800) 523-4777 to obtain the following Piston Repair Kits or the Complete O-Ring Repair Kits.

<b>Nailer Repair Kit</b>	<b>Part Number</b>
Framing Nailer:	
Piston Repair Kit.....	PH7665095
O-Ring Repair Kit.....	PH7665096
Brad Nailer:	
Piston Repair Kit.....	PH8235164
O-Ring Repair Kit.....	PH8235165
Palm Nailer:	
Piston Repair Kit.....	PH6141026
O-Ring Repair Kit.....	PH6141027

## **WARNING**



**Always disconnect air from nailer whenever servicing! During maintenance, a nailer connected to air may fire accidentally, causing serious personal injury!**

## Framing & Brad Nailer

To replace a piston for your framing or brad nailer:

1. DISCONNECT NAILER FROM THE AIR SUPPLY!
2. Remove all nails from the magazine cartridge, and clean the exterior of the nailer.
3. Remove the four cap screws on the back of the nailer, near the exhaust port.
4. Remove the cap.
5. The top of the piston should now be visible inside the cylinder, which is housed in the head of the nailer.
6. Watch the discharge area and push the top of the piston with your finger. You will see the piston shaft slide down the discharge area.
7. Taking care not to scratch or dent the nailer parts, use a wooden dowel or similarly shaped tool to push the piston shaft back inside the nailer until you can grip the piston head and remove it from the cylinder. Clean and inspect the parts for cracks, wear, or burrs.

8. Apply a thin film of tool oil on the new O-ring and place it on the new piston.
9. Insert the new piston in the cylinder. Make sure that the grooves on the piston shaft line up with those on the guide at the bottom of the cylinder. The new piston should easily slide into the cylinder. **DO NOT force the piston into the cylinder!** If the piston is not easily inserted, double-check the alignment of the piston shaft with the grooves on the guide.
10. After the piston is inserted correctly, close the magazine. Replace the rear cap assembly and secure it with the four cap screws removed in **Step 3**.

**Note:** For more assistance, or to install a complete O-ring set, refer to the appropriate breakdown diagram in the back of this manual for component locations.

## Palm Nailer

To replace a piston for your palm nailer:

1. DISCONNECT NAILER FROM THE AIR SUPPLY!
2. Using a 19mm wrench, remove the nose piece, depth guide, compression spring, and flat washer.
3. Use the 4mm hex wrench to remove the four cap screws on the nailer cap, then remove the cap.
4. Push the ram pin towards the inside of the nailer—this will push the cylinder free of the housing.

5. Grab the ram pin and pull the piston from the cylinder.
6. Apply a thin film of tool oil on the new O-ring and place it on the new piston.
7. Insert the new piston into the cylinder. The new piston should easily slide into the cylinder. **DO NOT force the piston into the cylinder!** If the piston is not easily inserted, check the alignment of the piston inside the cylinder.
8. After the piston is inserted correctly, place the cylinder back in the nailer housing. If seated correctly, the cylinder will snap into place.
9. Push the cylinder collar down into the housing as far as it will go. The horizontal air slots on the cylinder sides should be visible.
10. Replace the rear cap and secure it with the four cap screws removed in **Step 3**.
11. Re-install the flat washer, compression spring, depth guide, and nose piece onto the front of the nailer, then use a 19mm wrench to tighten the nose piece.

**Note:** For more assistance, or to install a complete O-ring set, refer to the appropriate breakdown diagram in the back of this manual for component locations.



# CLEANING & LUBRICATION

## Cleaning

Use non-flammable solvent to clean the nose assembly of the nailer. Always be sure that the nailer is dry before using it again.

Do not allow dust, chips, sand, etc. into the air connectors or into the body of the nailer; this may result in leaks and damage to the nailer and the air couplings.

**⚠ WARNING**



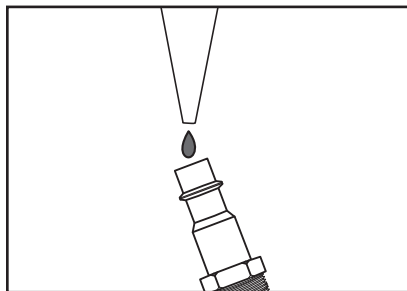
**Never clean this tool with gasoline or other flammable liquids. Vapors in the tool may ignite, causing the tool to explode. Ignoring this warning may lead to serious personal injury or even death!**

## Lubricating

Standard pneumatic tool oil has been included with your new Grizzly nailer to help maintain its useful life. Place two to six drops of oil in the nailer air inlet (as shown in **Figure 15**) before every use, or after 2 hours of continuous use.

Wipe off any excess oil near the nailer exhaust to avoid dust build-up. When the oil that was included with the nailer has been completely used, replace with Grizzly Model G2820 Pneumatic Tool Oil.

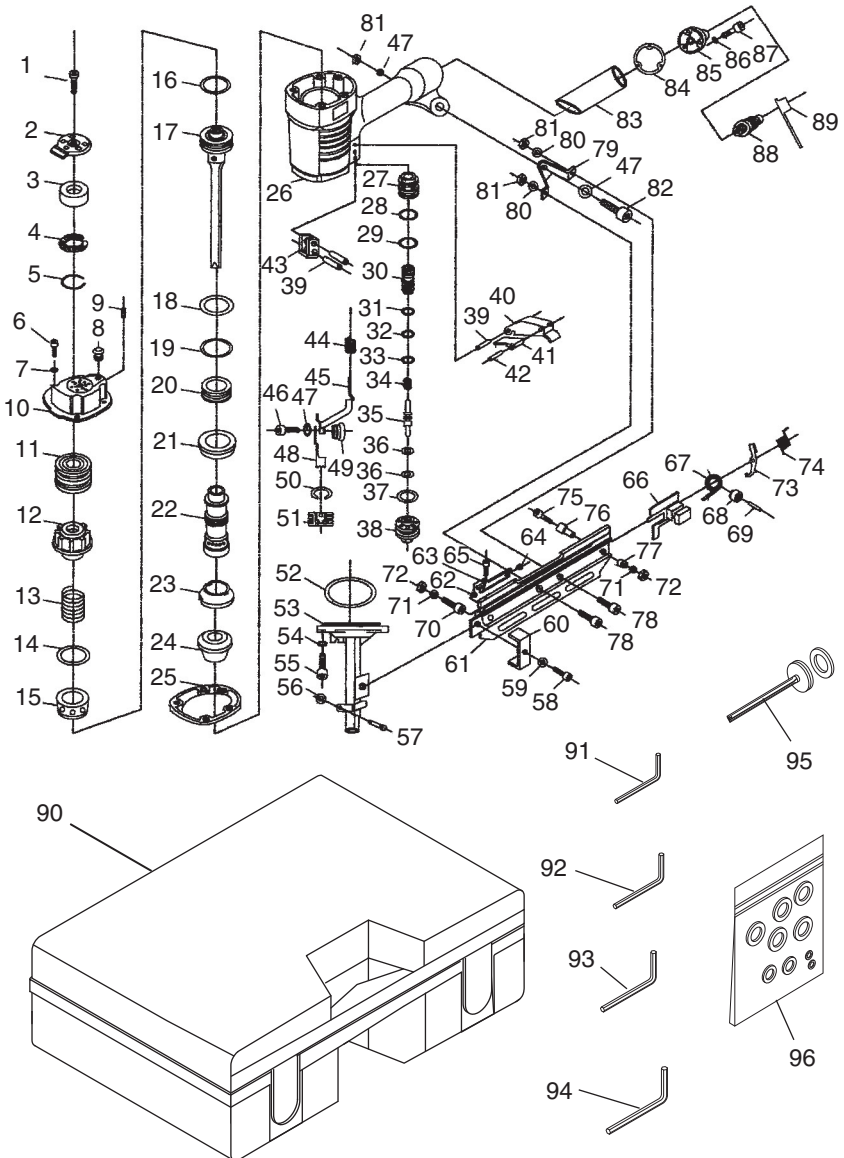
Another option to manual oiling would be to install a lubricator in your air compressor line. If your air compressor line already has a lubricator, then regular lubrication of your nailer will not be necessary. Just make sure there is always oil in the lubricator.



**Figure 15.** Lubricating nailer via air inlet.

# H8235 PARTS

## Framing Nailer Parts Breakdown

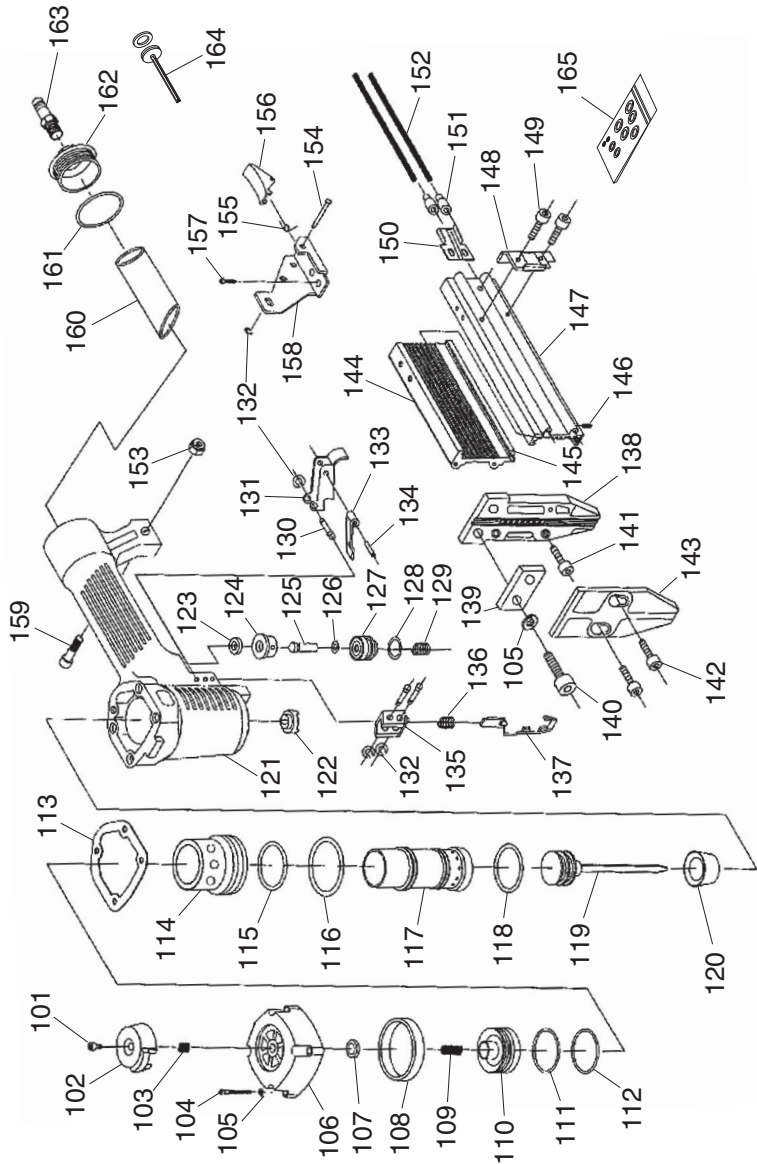


# Framing Nailer Parts List

REF	PART #	DESCRIPTION
1	PSB11M	CAP SCREW M8-1.25 X 16
2	PH7665002	EXHAUST PORT
3	PH7665003	RUBBER SPACER
4	PH7665004	COMPRESSION SPRING
5	PH7665005	SPRING WIRE
6	PSB06M	CAP SCREW M6-1 X 25
7	PLW03M	LOCK WASHER 6MM
8	PH7665008	CYLINDER PLUG
9	PSS26M	SET SCREW M5-.8 X 6
10	PH7665010	CYLINDER COVER
11	PH7665011	HEAD VALVE PISTON
12	PH7665012	SPRING SEAT
13	PH7665013	COMPRESSION SPRING
14	PH7665014	SPRING WASHER
15	PH7665015	COLLAR
16	POR0079	O-RING 42.3 X 5
17	PH7665017	MAIN PISTON
18	PORG055	O-RING 54.4 X 3.1 G55
19	POR0080	O-RING 88 X 3
20	PH7665020	FIXED RING
21	PH7665021	SEALING RING
22	PH7665022	CYLINDER
23	PH7665023	OUTER BUMPER
24	PH7665024	BUMPER
25	PH7665025	CYLINDER GASKET
26	PH7665026	NAILER BODY
27	PH7665027	TRIGGER VALVE SEAT
28	PORP015	O-RING 14.8 X 2.4 P15
29	PORS018	O-RING 17.5 X 1.5 S18
30	PH7665030	TRIGGER VALVE GUIDE
31	PORP006	O-RING 5.8 X 1.9 P6
32	PORP006	O-RING 5.8 X 1.9 P6
33	PORP009	O-RING 8.8 X 1.9 P9
34	PH7665034	SWITCH SPRING
35	PH7665035	SWITCH SHAFT
36	PORS003	O-RING 2.5 X 1.5 S3
37	PORP020	O-RING 19.8 X 2.4 P20
38	PH7665038	SWITCH SEAT
39	PRP16M	ROLL PIN 3 X 25
40	PH7665040	TRIGGER
41	PH7665041	SAFETY SPACER
42	PRP02M	ROLL PIN 3 X 16
43	PH7665043	SAFETY GUIDE
44	PH7665044	COMPRESSION SPRING
45	PH7665045	SAFETY YOKE
46	PSB03M	CAP SCREW M5-.8 X 8
47	PW02M	FLAT WASHER 5MM
48	PH7665048	SAFETY NOSE

REF	PART #	DESCRIPTION
49	PH7665049	DEPTH ADJUSTMENT NUT
50	PH7665050	COPPER COLLAR
51	PH7665051	SAFETY NOSE CASE
52	PORS060	O-RING 59.5 X 2.0 S60
53	PH7665053	DRIVE GUIDE
54	PLW04M	LOCK WASHER 8MM
55	PSB13M	CAP SCREW M8-1.25 X 30
56	PEC16M	E-CLIP 2.5MM
57	PH7665057	PIN
58	PSB26M	CAP SCREW M6-1 X 12
59	PW03M	FLAT WASHER 6MM
60	PH7665060	PLATE
61	PH7665061	MAGAZINE
62	PH7665062	WASHER CASE
63	PH7665063	DRIVE BAR
64	PH7665064	SPACER
65	PSB57M	CAP SCREW M3-.5 X 6
66	PH7665066	PUSHER
67	PH7665067	TORSION SPRING
68	PH7665068	SPRING CORE
69	PH7665069	PIN B4 X 25
70	PSB17M	CAP SCREW M4-.7 X 10
71	PW05M	FLAT WASHER 4MM
72	PN04M	HEX NUT M4-.7
73	PH7665073	RELEASE LATCH
74	PH7665074	LATCH SPRING
75	PH7665075	CAP SCREW M4-.7 X 45
76	PH7665076	SAFETY SHAFT
77	PH7665077	SAFETY SHAFT BUSHING
78	PSB20M	CAP SCREW M5-.8 X 14
79	PH7665079	BRACKET
80	PW02M	FLAT WASHER 5MM
81	PN06M	HEX NUT M5-.8
82	PSB38M	CAP SCREW M5-.8 X 25
83	PH7665083	RUBBER HANDLE GRIP
84	PH7665084	END CAP GASKET
85	PH7665085	END CAP
86	PW02M	FLAT WASHER 5MM
87	PSB15M	CAP SCREW M5-.8 X 20
88	PH7665088	AIR VALVE 1/4" NPT MALE
89	PH7665089	AIR VALVE DUST CAP
90	PH7665090	CARRYING CASE
91	PAW03M	HEX WRENCH 3MM
92	PAW04M	HEX WRENCH 4MM
93	PAW05M	HEX WRENCH 5MM
94	PAW06M	HEX WRENCH 6MM
95	PH7665095	PISTON REPAIR KIT
96	PH7665096	O-RING REPAIR KIT

# Brad Nailer Parts Breakdown

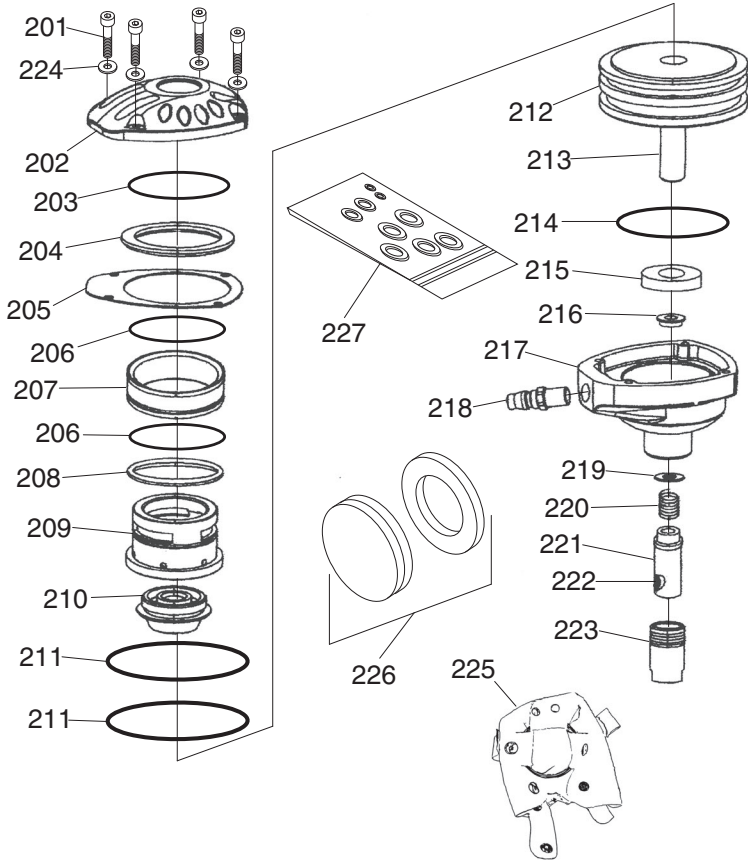


# Brad Nailer Parts List

REF	PART #	DESCRIPTION
101	PH8235101	SPECIAL BOLT
102	PH8235102	EXHAUST PORT
103	PH8235103	COMPRESSION SPRING
104	PB42M	HEX BOLT M5-.8 X 20
105	PLW01M	LOCK WASHER 5MM
106	PH8235106	CYLINDER CAP
107	PORP014	O-RING 13.8 X 2.4 P14
108	PH8235108	SEALING RING
109	PH8235109	COMPRESSION SPRING
110	PH8235110	PLUNGER
111	PORS031-5	O-RING 31.0 X 2.0 S31.5
112	PORP025	O-RING 24.7 X 3.5 P25
113	PH8235113	CYLINDER CAP GASKET
114	PH8235114	CYINDER SLEEVE
115	PORP029-5	O-RING 29.2 X 3.5 P29.5
116	PORS042	O-RING 2.0 X 41.5 S42
117	PH8235117	CYLINDER
118	PORP022	O-RING 21.8 X 2.4 P22
119	PH8235119	PISTON W/DRIVER
120	PH8235120	BUMPER
121	PH8235121	NAILER BODY
122	PH8235122	RUBBER WASHER
123	PH8235123	SEAL
124	PH8235124	INNER VALVE SEAT
125	PH8235125	TRIGGER VALVE
126	PORP011-2	O-RING 11 X 2.4 P11.2
127	PH8235127	TRIGGER VALVE GUIDE
128	PORP011-2	O-RING 11 X 2.4 P11.2
129	PH8235129	COMPRESSION SPRING
130	PH8235130	STEP PIN
131	PH8235131	TRIGGER
132	PEC01M	E-CLIP 3MM
133	PH8235133	SAFETY PLATE

REF	PART #	DESCRIPTION
134	PH8235134	PIN
135	PH8235135	BRACKET
136	PH8235136	COMPRESSION SPRING
137	PH8235137	SAFETY NOSE
138	PH8235138	DRIVER GUIDE
139	PH8235139	SPACER
140	PSB15M	CAP SCREW M5-.8 X 20
141	PSB23M	CAP SCREW M4-.7 X 12
142	PSB17M	CAP SCREW M4-.7 X 10
143	PH8235143	DRIVER GUIDE COVER
144	PH8235144	NAIL GUIDE LINER
145	PH8235145	MAGAZINE SEAT
146	PSS35M	SET SCREW M4-.7 X 16
147	PH8235147	MAGAZINE CAP
148	PH8235148	BRACKET
149	PSB41M	CAP SCREW M4-.7 X 14
150	PH8235150	PUSHER
151	PH8235151	PUSHER SHAFT
152	PH8235152	COMPRESSION SPRING
153	PLN01M	LOCK NUT M4-.7
154	PH8235154	PIN
155	PH8235155	LATCH TORSION SPRING
156	PH8235156	LATCH
157	PSB18M	CAP SCREW M4-.7 X 8
158	PH8235158	LATCH BRACKET
159	PSB16M	CAP SCREW M4-.7 X 16
160	PH8235160	RUBBER HAND GRIP
161	PORP036	O-RING 35.7 X 3.5 P36
162	PH8235162	CAP
163	PH8235163	AIR VALVE 1/4 NPT
164	PH8235164	PISTON REPAIR KIT
165	PH8235165	O-RING REPAIR KIT

# Palm Nailer Parts Breakdown & List



REF	PART #	DESCRIPTION
201	PSB15M	CAP SCREW M5-.8 X 20
202	PH6141002	CAP
203	PORPG050	O-RING 54.4 X 3.1 G50
204	PH6141004	RUBBER SEAL 54MM
205	PH6141005	GASKET
206	PORPG050	O-RING 54.4 X 3.1 G50
207	PH6141007	CYLINDER COLLAR
208	PH6141008	SEALING RING
209	PH6141009	CYLINDER
210	PH6141010	CYLINDER COVER
211	PORG040	O-RING 39.4 X 3.1 G40

REF	PART #	DESCRIPTION
215	PH6141015	BUMPER 16 X 40 X 8
216	PH6141016	AXLE SLEEVE 8MM
217	PH6141017	NAILER BODY
218	PH6141018	AIR INLET VALVE 1/4" NPT
219	PH6141019	SPECIAL WASHER 9 X 20 X 1
220	PH6141020	COMPRESSION SPRING
221	PH6141021	DEPTH GUIDE
222	PH6141022	MAGNET
223	PH6141023	NOSE PIECE M20-1.5 X 37
224	PW02M	FLAT WASHER 5MM
225	PH6141025	LEATHER POUCH
226	PH6141026	PISTON REPAIR KIT
227	PH6141027	O-RING REPAIR KIT

# TROUBLESHOOTING

Symptom	Possible Cause	Solution
Air leaking at trigger valve area.	1. O-rings in trigger valve housing are damaged.	1. O-rings must be replaced & operation of safety nose must be checked.
Air leaking.	1. Loose screws in housing. 2. Damaged O-ring(s). 3. Loose air fitting.  4. Damaged housing gasket(s).	1. Tighten screws. 2. Replace O-ring(s). 3. Tighten air fitting & use teflon tape. 4. Replace gasket(s).
Tool skips nails while discharging.	1. Excessive air pressure. 2. Air leaks. 3. Dirt in nose. 4. Dirt or damage prevents nails from moving freely in magazine. 5. Inadequate air flow to tool.  6. Worn O-ring on piston or lack of lubrication. 7. Damaged O-rings on trigger valve. 8. Worn bumper. 9. Cap seal leaking.	1. Reduce air pressure to tool. 2. Tighten screws and fittings. 3. Clean nose. 4. Clean magazine and inspect/repair damage.  5. Check fitting, hose, compressor & air pressure. 6. Replace piston O-ring. Lubricate. 7. Replace trigger valve O-rings. 8. Replace bumper. 9. Replace cap seal.
Tool runs slowly or has a loss of power.	1. Undersized air hose. 2. Nailer is not lubricated. 3. Broken spring in cap assembly. 4. Exhaust port in cap is blocked.  5. Air pressure too low.	1. Use a larger air hose. 2. Lubricate nailer. 3. Replace spring. 4. Clean or replace damaged internal parts. 5. Increase air pressure.
Fasteners frequently jam the nailer.	1. Nails are the wrong size. 2. Nails are bent or dirty.  3. Magazine or nose screws are loose. 4. Driver or driver guide are worn or damaged. 5. Nails are wrong angle.	1. Use correct nails. 2. Use undamaged, clean nails. 3. Tighten magazine. 4. Replace worn or damaged parts. 5. Use correct angle nails.
Nailer does not fire.	1. Nailer is not lubricated. 2. Nail is jammed in magazine or discharge area. 3. Piston shaft is damaged. 4. Air pressure too low.	1. Lubricate nailer. 2. Clear nailer magazine or discharge area. 3. Replace piston shaft. 4. Check/increase air pressure.

# WARRANTY AND RETURNS

---

---

Grizzly Industrial, Inc. warrants every product it sells for a period of **1 year** to the original purchaser from the date of purchase. This warranty does not apply to defects due directly or indirectly to misuse, abuse, negligence, accidents, repairs or alterations or lack of maintenance. This is Grizzly's sole written warranty and any and all warranties that may be implied by law, including any merchantability or fitness, for any particular purpose, are hereby limited to the duration of this written warranty. We do not warrant or represent that the merchandise complies with the provisions of any law or acts unless the manufacturer so warrants. In no event shall Grizzly's liability under this warranty exceed the purchase price paid for the product and any legal actions brought against Grizzly shall be tried in the State of Washington, County of Whatcom.

We shall in no event be liable for death, injuries to persons or property or for incidental, contingent, special, or consequential damages arising from the use of our products.

To take advantage of this warranty, contact us by mail or phone and give us all the details. We will then issue you a "Return Authorization Number," which must be clearly posted on the outside as well as the inside of the carton. We will not accept any item back without this number. Proof of purchase must accompany the merchandise.

The manufacturers reserve the right to change specifications at any time because they constantly strive to achieve better quality equipment. We make every effort to ensure that our products meet high quality and durability standards and we hope you never need to use this warranty.

Please feel free to write or call us if you have any questions about the machine or the manual.

**Grizzly Industrial, Inc.**  
**1203 Lycoming Mall Circle**  
**Muncy, PA 17756**  
**Phone: (570) 546-9663**  
**Fax: (800) 438-5901**

**E-Mail:**  
**techsupport@grizzly.com**

**Web Site: <http://www.grizzly.com>**

Thank you again for your business and continued support. We hope to serve you again soon!



## Free Manuals Download Website

<http://myh66.com>

<http://usermanuals.us>

<http://www.somanuals.com>

<http://www.4manuals.cc>

<http://www.manual-lib.com>

<http://www.404manual.com>

<http://www.luxmanual.com>

<http://aubethermostatmanual.com>

Golf course search by state

<http://golfingnear.com>

Email search by domain

<http://emailbydomain.com>

Auto manuals search

<http://auto.somanuals.com>

TV manuals search

<http://tv.somanuals.com>