

# *Grizzly* Industrial, Inc.®

## MODEL H8232 3-PIECE FRAMING/FINISH/PALM NAILER KIT OWNER'S MANUAL



COPYRIGHT © SEPTEMBER, 2007 BY GRIZZLY INDUSTRIAL, INC.  
WARNING: NO PORTION OF THIS MANUAL MAY BE REPRODUCED IN ANY SHAPE  
OR FORM WITHOUT THE WRITTEN APPROVAL OF GRIZZLY INDUSTRIAL, INC.  
#TS9957 PRINTED IN CHINA

## **WARNING!**

**This manual provides critical safety instructions on the proper setup, operation, maintenance and service of this machine/equipment.**

**Failure to read, understand and follow the instructions given in this manual may result in serious personal injury, including amputation, electrocution or death.**

**The owner of this machine/equipment is solely responsible for its safe use. This responsibility includes but is not limited to proper installation in a safe environment, personnel training and usage authorization, proper inspection and maintenance, manual availability and comprehension, application of safety devices, blade/cutter integrity, and the usage of personal protective equipment.**

**The manufacturer will not be held liable for injury or property damage from negligence, improper training, machine modifications or misuse.**

## **WARNING!**

**Some dust created by power sanding, sawing, grinding, drilling, and other construction activities contains chemicals known to the State of California to cause cancer, birth defects or other reproductive harm. Some examples of these chemicals are:**

- **Lead from lead-based paints.**
- **Crystalline silica from bricks, cement and other masonry products.**
- **Arsenic and chromium from chemically-treated lumber.**

**Your risk from these exposures varies, depending on how often you do this type of work. To reduce your exposure to these chemicals: Work in a well ventilated area, and work with approved safety equipment, such as those dust masks that are specially designed to filter out microscopic particles.**

# SAFETY

## **WARNING**

### **For Your Own Safety Read Instruction Manual Before Operating This Equipment**

The purpose of safety symbols is to attract your attention to possible hazardous conditions. This manual uses a series of symbols and signal words which are intended to convey the level of importance of the safety messages. The progression of symbols is described below. Remember that safety messages by themselves do not eliminate danger and are not a substitute for proper accident prevention measures.



Indicates an imminently hazardous situation which, if not avoided, **WILL** result in death or serious injury.



Indicates a potentially hazardous situation which, if not avoided, **COULD** result in death or serious injury.



Indicates a potentially hazardous situation which, if not avoided, **MAY** result in minor or moderate injury. It may also be used to alert against unsafe practices.

**NOTICE**

This symbol is used to alert the user to useful information about proper operation of the equipment.

## **WARNING**

### **Safety Instructions for Pneumatic Tools**

- KEEP ALL SAFETY DEVICES IN PLACE** and in working order.
- REMOVE ADJUSTING KEYS AND WRENCHES.** Form habit of checking to see that keys and adjusting wrenches are removed from tool before operation.
- KEEP WORK AREA CLEAN.** Cluttered areas and benches invite accidents.
- DO NOT USE IN DANGEROUS ENVIRONMENT.** Do not use pneumatic tools in damp or wet locations, or where any flammable or noxious fumes may exist. Keep work area well lighted.
- KEEP CHILDREN AND VISITORS AWAY.** All children and visitors should be kept at a safe distance from work area.
- MAKE WORKSHOP CHILD PROOF** by locking your shop and shutting off air valves.
- DO NOT FORCE TOOL.** It will do the job better and safer at the rate for which it was designed.
- USE THE RIGHT TOOL.** Do not force tool or attachment to do a job for which it was not designed.
- DO NOT USE UNDER THE INFLUENCE OF DRUGS OR ALCOHOL.**

# WARNING

## Safety Instructions for Pneumatic Tools

10. **USE PROPER AIR HOSE** for the tool. Make sure your air hose is in good condition and is long enough to reach your work without stretching.
11. **WEAR PROPER APPAREL.** Do not wear loose clothing, gloves, neckties, rings, bracelets, or other jewelry which may get caught in moving parts. Non-slip footwear is recommended. Wear a protective hair covering to contain long hair.
12. **ALWAYS USE SAFETY GLASSES.** Also use a face or dust mask if cutting operation is dusty. Everyday eyeglasses only have impact resistant lenses, they are NOT safety glasses.
13. **WEAR APPROVED HEARING PROTECTION.** Air escaping from pneumatic tools can exceed safe exposure limits and may cause hearing damage with prolonged exposure.
14. **SECURE WORK.** Use clamps or a vise to hold work when practical. It is safer than using your hand and frees both hands to operate tool.
15. **MAINTAIN TOOLS WITH CARE.** Keep tools lubricated and clean for best and safest performance. Follow instructions for lubricating and changing accessories.
16. **REDUCE THE RISK OF UNINTENTIONAL FIRING.** Do not carry tool with hand on trigger and always disconnect from air when not in use.
17. **DISCONNECT TOOLS** before servicing, changing accessories, or moving to another location.
18. **DO NOT OVERREACH.** Keep proper footing/balance at all times.
19. **USE THE RECOMMENDED ACCESSORIES.** Consult owner's manual for recommended accessories. The use of improper accessories may cause risk of injury.
20. **CHECK FOR DAMAGED PARTS BEFORE USING.** Check for binding and alignment of parts, broken parts, part mounting, loose bolts, and any other conditions that may affect machine operation. Repair or replace damaged parts.
21. **NEVER LEAVE UNATTENDED TOOL CONNECTED TO AIR.** Disconnect the air hose and do not leave tool until it is relieved of any built up pressure.
22. **NEVER ALLOW UNTRAINED USERS TO USE THIS TOOL WHILE UNSUPERVISED.**
23. **IF YOU ARE UNSURE OF THE INTENDED OPERATION, STOP USING TOOL.** Seek formal training or research books or magazines that specialize in pneumatic tools.
24. **BE AWARE OF HOSE LOCATION WHEN USING PNEUMATIC TOOLS.** Hoses can easily become a tripping hazard when laid across the floor or spread out in a disorganized fashion.

# WARNING

## Additional Safety Instructions for Nailers

- 1. HAND INJURIES:** Do not place your hands near the nail point of entry. A nail can deflect and tear through the surface of the workpiece, puncturing your hand or fingers.
- 2. COMBUSTIBLE GASES:** Never connect the nailer to pressurized oxygen or other combustible gases as an air source. Only use filtered, lubricated, and regulated compressed air.
- 3. SAFE HANDLING:** Never point the nailer at others! Do not keep the trigger pulled when loading fasteners, carrying, or holding tool. Carry the nailer only by the handle, never by any other part. Do not carry the nailer by the air hose. Disconnect the nailer from the air hose when going up and down ladders.
- 4. MODIFICATIONS:** DO NOT modify this tool or bypass the safety nose mechanism.
- 5. CHECK VALVE:** Do not use a check valve or any other fitting that allows air to remain in the tool.
- 6. HOSE USAGE:** Make sure your air hose is designed for the tool in use, is in good condition, and is long enough to reach your work without stretching. However, an overly long air hose in the work area may be a tripping hazard.
- 7. OPERATING QUESTIONS:** If you are not sure about the intended operation, stop using the nailer. Seek formal training.
- 8. CLEANING:** Never use gasoline or other flammable liquids to clean the nailer; vapors in the nailer will ignite by a spark and cause it to explode.
- 9. MAINTENANCE:** Always disconnect air from the nailer when servicing or installing nails. During maintenance, a nailer connected to air may fire accidentally, causing serious personal injury.
- 10. COMPRESSED AIR RATING:** Do not connect the nailer to compressed air that exceeds 120 PSI.



# INTRODUCTION

---

---

## Foreword

---

---

The specifications, details, and photographs in this manual represent the Model H8232 as supplied when the manual was prepared. However, owing to Grizzly's policy of continuous improvement, changes may be made at any time with no obligation on the part of Grizzly.

If you have any comments regarding this manual, please write to us at the following address:

Grizzly Industrial, Inc.  
C/O Technical Documentation  
P.O. Box 2069  
Bellingham, WA 98227-2069  
E-Mail: manuals@grizzly.com

Most importantly, we stand behind our tools. If you have any service questions or parts requests, please call or write us at the location listed below.

Grizzly Industrial, Inc.  
1203 Lycoming Mall Circle  
Muncy, PA 17756  
Phone: (570) 546-9663  
Fax: (800) 438-5901  
E-Mail: techsupport@grizzly.com  
Web Site: <http://www.grizzly.com>

## Tool Data

---

---

### Framing Nailer

Nail Size ..... 1/8" Shank Diameter  
Nail Strip Angle..... 34° Round Head  
Nail Length ..... 2"-3 1/2"  
Magazine Capacity..... 60 Nails  
Air Inlet Fitting ..... 1/4" NPT  
Weight ..... 8 1/2 lbs.  
Operating Air Pressure..... 80-110 PSI  
Maximum Air Pressure ..... 120 PSI

### Finish Nailer

Nail Size ..... 16 Gauge  
Nail Length ..... 1 1/4"-2 1/2"  
Magazine Capacity..... 74 Nails  
Air Inlet Fitting ..... 1/4" NPT  
Weight ..... 5 lbs.  
Operating Air Pressure..... 60-100 PSI  
Maximum Air Pressure ..... 120 PSI

### Palm Nailer

Nail Size ..... 5d-70d  
Blows Per Minute ..... 1000  
Average Air Consumption ..... 5 CFM  
Air Inlet Fitting ..... 1/4" NPT  
Weight ..... 1.9 lbs.  
Operating Air Pressure..... 70-100 PSI  
Maximum Air Pressure ..... 120 PSI

# SET UP

## Unpacking

Your new nailer kit was carefully packaged for safe shipping. If you discover any damage after you have signed for delivery, *immediately call Customer Service at (570) 546-9663 for advice.*

Save the containers and all packing materials for possible inspection by the carrier or its agent. *Otherwise, filing a freight claim can be difficult.*

When you are completely satisfied with the condition of the shipment, you should inventory the contents.

## Inventory

After you open the nailer case, you should find the following.

Model H8232 Inventory (Figure 1)	Qty
A. 16 Gauge Finish Nailer.....	1
B. Palm Nailer .....	1
C. 34° Framing Nailer.....	1
D. Hex Wrenches 3, 4, 5, 6mm.....	1 Each
E. Safety Goggles .....	1
F. Carrying Case.....	1
G. Leather Palm Nailer Pouch.....	1
H. Tool Oil Bottle .....	1

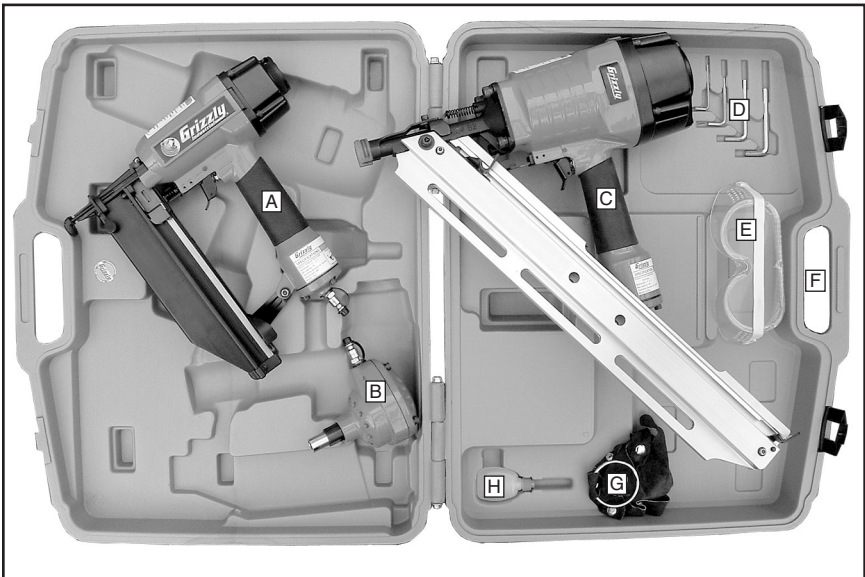


Figure 1. Model H8232 inventory.



# Compressed Air System

The Model H8232 is designed to be operated at the following air pressures using clean, dry, regulated, compressed air:

Nailer	Operating Air Pressure
Framing .....	80–110 PSI
Finish .....	60–100 PSI
Palm .....	70–100 PSI

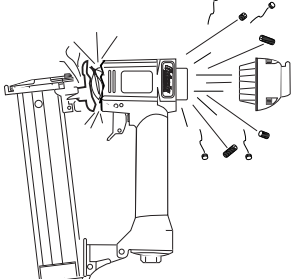
**DO NOT exceed the 120 PSI maximum operating pressure for your nailer.**

Before using your new nailers, regulate the air pressure to find the optimum setting within the specified operating range. Start by testing the nailer at a low setting, then increase the air pressure as needed for satisfactory results.

An in-line filter/lubricator/regulator unit can be installed, as depicted in **Figure 2**.

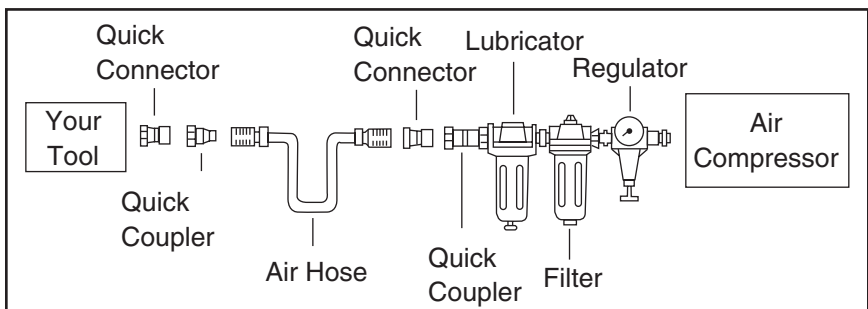
This filter/lubricator/regulator unit will protect your tool from damaging water build-up, allow you to adjust and maintain constant air pressure to your tool, and save you the inconvenience of having to manually lubricate your tool every time you use it.

**! WARNING**



**Exceeding the maximum permissible operating pressure may damage the nailers and cause them to malfunction. To protect yourself from personal injury, DO NOT allow the air pressure to exceed the recommended pressure for these nailers!**

Check the current Grizzly catalog for availability of this unit. If you plan on installing a filter/lubricator/regulator unit in your compressed air system, always follow the connection instructions that come with the unit.



**Figure 2.** Typical filter/lubricator/regulator installation order.

# Framing/Finish Nailer Safety Nose Mechanism

A safety mechanism on the nose of the framing/finish nailer protects against accidental firing. When the trigger is pressed, the nailer will not fire until the safety nose mechanism is depressed.

Before you use your nailers for the first time, perform these safety checks to ensure the safety nose mechanisms are operating properly.

## Safety Check #1

1. DISCONNECT NAILER FROM THE AIR SUPPLY!
2. Make sure the magazine is empty and contains no nails.
3. Make sure the trigger and the safety nose mechanism move up and down without sticking.
4. Connect the nailer to the air supply.
5. **Without pressing the trigger**, depress the safety nose mechanism against a scrap piece of wood that is clean and free of any knots, nails, or other foreign objects.
  - If the nailer **does not fire**, then the safety nose mechanism is working correctly. Proceed to **Safety Check #2**.
  - If the nailer **does fire** when you do this, immediately disconnect the nailer from the air supply and call Grizzly Technical Support at (570) 546-9663 for help.

**Note:** *If you find that the safety nose mechanism is not moving up and down properly, check the lubrication of its sliding components.*

## Safety Check #2

1. Lift the nailer from the scrap piece of wood so that the safety nose is **not** depressed, point the nailer down and away from yourself and others, then pull the trigger.
  - If the nailer **does not fire** when the trigger is pulled **without** the safety nose mechanism being depressed, then the nailer is working properly.
  - If the nailer **does fire** when you do this, immediately disconnect the nailer from the air supply and call Grizzly Technical Support at (570) 546-9663 for help.

### **WARNING**

The safety mechanism is a mechanical device that can fail. Never rely on this mechanism as an excuse to point the framing/finish nailer at yourself or any bystanders. Serious injury may occur.

### **WARNING**

DO NOT attempt to modify or bypass the safety nose mechanism to make the framing/finish nailer fire without pushing the safety nose down.

# OPERATIONS

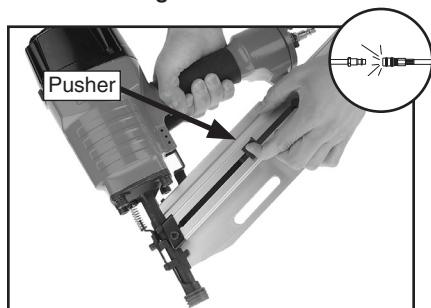
## Loading

### Framing Nailer

Nail Size ..... 1/8" Shank Diameter  
Nail Strip Angle.....34° Round Head  
Length.....2"-3 1/2"  
Magazine Capacity..... 60 Nails

#### To load your framing nailer:

1. DISCONNECT NAILER FROM THE AIR SUPPLY!
2. Grip the nailer firmly and point the nose down, then pull the magazine pusher back until the catch lever engages, as shown in **Figure 3**.



**Figure 3.** Sliding magazine pusher back and engaging catch lever.

3. Insert a strip of nails, pointed-end down, into the magazine as shown in **Figure 4**.



**Figure 4.** Loading nails into the magazine.

4. Tilt the nailer to slide the nails all the way down to the nose.
5. With one hand on the magazine pusher for control, release the magazine catch and slowly allow the pusher to press against the nails.

### Finish Nailer

Nail Size ..... 16 Gauge  
Nail Length ..... 1 1/4"-2 1/2"  
Magazine Capacity..... 74 Nails

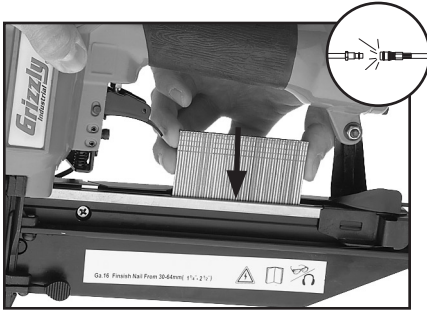
#### To load your finish nailer:

1. DISCONNECT NAILER FROM THE AIR SUPPLY!
2. Grip the nailer firmly, and pull the magazine pusher back until the catch lever engages, as shown in **Figure 5**.



**Figure 5.** Sliding magazine pusher back.

3. Insert a strip of nails, pointed-end down, into the magazine as shown in **Figure 6**.



**Figure 6.** Loading nails into magazine (finish nailer).

4. Slide the nails all the way down to the nose of the nailer.
5. Release the magazine pusher by pulling back on the pusher and pushing in on the catch lever.

## Operating

**If you have not read the safety instructions in this manual, do not operate the nailer.**

Before you operate your nailers, place five to six drops of the included oil into the quick connect fitting where the nailer connects to the air supply.

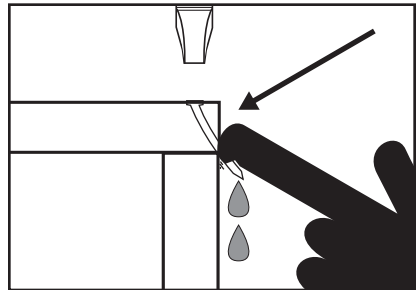
### Framing & Finish Nailer

1. Connect the air supply to the quick connect fitting.
2. To test for proper nail penetration, hold the nailer perpendicular to the surface of a piece of clean scrap wood that is thick enough for the length of nails you have loaded.

3. Depress the safety nose mechanism against your workpiece.
4. Before pulling the trigger, make sure your free hand and other body parts are positioned out of the way of a potential path of a nail in case of deflection.

**Note:** *Deflection is caused when grain irregularities, knots, or foreign objects inside the wood cause the nail to change its path, resulting in the nail puncturing the surface of the workpiece, as shown in **Figure 7**.*

*Besides damaging your workpiece, deflection can cause injury if your free hand is in the path of the deflecting nail.*



**Figure 7.** Example of nail deflection.

5. Pull the trigger.
  - If the nail drove into the wood far enough, continue with your intended operations.
  - If the nail either went too far or not far enough, then go to the **Adjusting Nail Penetration** section on the next page.

## Palm Nailer

1. Connect the air supply to the quick connect fitting.
2. Hold the nail firmly in place with one hand as if using a regular hammer.
3. Place the tip of the palm nailer over the top of the nail. When the ram pin touches the nail head, the nailer will automatically begin to hammer the nail into place.

**Note:** Set the nail in position with a short burst of the nailer, then move your hand away from the nail before continuing.

4. Hold the nailer in place until the sliding depth guide is completely depressed up into the nailer and the nail is fully hammered into the workpiece.

**Note:** You can stop the nailer at any time by simply lifting it away from the nail. This is useful if you do not want to countersink the nail into the workpiece.

If the nailer is allowed to continue hammering until it stops by itself, it will countersink the nail to an approximate depth of 2mm or  $\frac{5}{64}$ ".

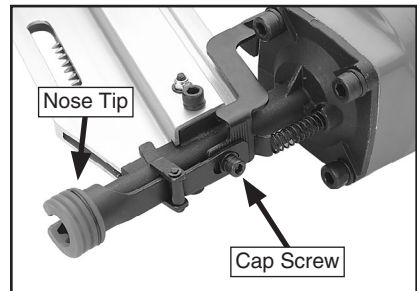
## Adjusting Nail Penetration

Depending on the type of stock and nails you are using, it may be necessary to adjust the depth of nail penetration for your framing/finish nailer.

### To adjust the nail penetration of your framing nailer:

1. DISCONNECT NAILER FROM THE AIR SUPPLY!
2. Use a 4mm hex wrench to loosen the cap screw shown in **Figure 8**.
3. Move the nose tip away from the nailer body to decrease penetration, and toward the nailer body to increase penetration.

**Note:** The rubber nose tip can be removed to increase nail penetration even further.

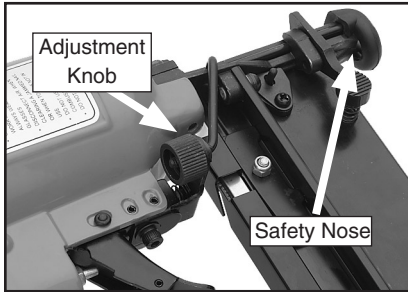


**Figure 8.** Loosening cap screw for depth adjustment on framing nailer.

4. Re-tighten the cap screw, then connect the nailer to the air supply and test the nail depth.
5. Connect the nailer to the air supply and test the nail penetration. If necessary, repeat this entire procedure until the nail penetration is satisfactory.

### To adjust the nail penetration of your finish nailer:

1. DISCONNECT NAILER FROM THE AIR SUPPLY!
2. Rotate the depth adjustment knob (see **Figure 9**) clockwise to increase nail penetration, and counterclockwise to decrease nail penetration.



**Figure 9.** Finish nailer depth adjustment controls.

3. Connect the nailer to the air supply and test the nail penetration. If necessary, repeat this entire procedure until the nail penetration is satisfactory.

## Clearing Jammed Nails

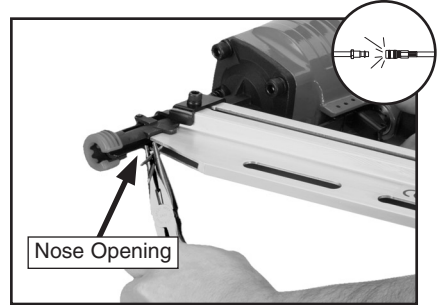
A jammed nail must be cleared before using the nailer again.

### Framing Nailer

To clear a jammed nail from the discharge area:

1. DISCONNECT NAILER FROM THE AIR SUPPLY!
2. Pull back and latch the magazine pusher, then remove the nail strip from the magazine.

3. Locate the opening in the underside of the nailer safety nose (see **Figure 10**).



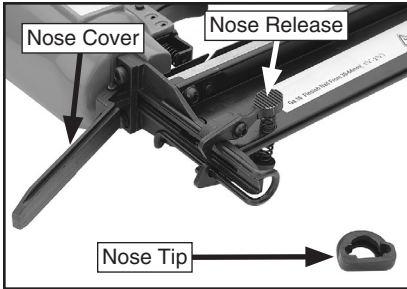
**Figure 10.** Clearing a jammed nail.

4. Dislodge the jammed nail with a tool that will fit in the slot on the underside of the nose.
5. Throw the damaged nail away and insert a new nail strip that only contains clean, undamaged nails. DO NOT use dirty or damaged nails!
6. Release the catch lever and slowly let the pusher slide to the front of the magazine.

### Finish Nailer

To clear a jammed nail from the discharge area:

1. DISCONNECT NAILER FROM THE AIR SUPPLY!
2. Pull back and latch the magazine pusher, then remove the nail strip from the magazine.
3. Open the nailer nose by removing the rubber nose tip, squeezing the nose release mechanism (see **Figure 11**), and opening the nose cover.



**Figure 11.** Nose opened to clear a jam.

4. Dislodge the jammed nail with a tool that will fit in the slot on the underside of the nose.
5. Throw the damaged nail away and insert a new nail strip that only contains clean, undamaged nails. DO NOT use dirty or damaged nails!
6. Close the nose cover and replace the nose tip. Then release the catch lever and let the pusher slide to the front of the magazine.

## Replacing Pistons/ O-Rings

Under heavy use, a piston, piston shaft, or O-ring may wear out. Replacement is quick and easy. Contact Grizzly Customer Service at (800) 523-4777 to obtain the following Piston Repair Kits or the Complete O-Ring Repair Kits.

Nailer Repair Kit	Part Number
<b>Framing Nailer:</b>	
Piston Repair Kit.....	PH7665095
O-Ring Repair Kit.....	PH7665096
<b>Finish Nailer:</b>	
Piston Repair Kit.....	PH8232091
O-Ring Repair Kit.....	PH8232092
<b>Palm Nailer:</b>	
Piston Repair Kit.....	PH6141026
O-Ring Repair Kit.....	PH6141027

# WARNING

**Always disconnect air from nailer whenever servicing! During maintenance, a nailer connected to air may fire accidentally, causing serious personal injury!**

### Framing & Finish Nailer

**To replace a piston in your framing or finish nailer:**

1. DISCONNECT NAILER FROM THE AIR SUPPLY!
2. Remove all nails from the magazine cartridge, and clean the exterior of the nailer.
3. Remove the four cap screws on the back of the nailer, near the exhaust port.
4. Remove the cap.
5. The top of the piston should now be visible inside the cylinder, which is housed in the head of the nailer.
6. Watch the discharge area and push the top of the piston with your finger. You will see the piston shaft slide down the discharge area.

7. Taking care not to scratch or dent the nailer parts, use a wooden dowel or similarly shaped tool to push the piston shaft back inside the nailer until you can grip the piston head and remove it from the cylinder. Clean and inspect the parts for cracks, wear, or burrs.
8. Apply a thin film of pneumatic tool oil on the new O-ring and place it on the new piston.
9. Insert the new piston in the cylinder. Make sure that the grooves on the piston shaft line up with those on the guide at the bottom of the cylinder. The new piston should easily slide into the cylinder. **DO NOT force the piston into the cylinder!** If the piston is not easily inserted, double-check the alignment of the piston shaft with the grooves on the guide.
10. After the piston is inserted correctly, close the magazine. Replace the rear cap assembly and secure it with the four cap screws removed in **Step 3**.
4. Push the ram pin towards the inside of the nailer—this will push the cylinder free of the housing.
5. Grab the ram pin and pull the piston from the cylinder.
6. Apply a thin film of pneumatic tool oil on the new O-ring and place it on the new piston.
7. Insert the new piston into the cylinder. The new piston should easily slide into the cylinder. **DO NOT force the piston into the cylinder!** If the piston is not easily inserted, check the alignment of the piston inside the cylinder.
8. After the piston is inserted correctly, place the cylinder back in the nailer housing. If seated correctly, the cylinder will snap into place.
9. Push the cylinder collar down into the housing as far as it will go. The horizontal air slots on the cylinder sides should be visible.

**Note:** For more assistance, or to install a complete O-ring set, refer to the appropriate breakdown diagram in the back of this manual for component locations.

## Palm Nailer

**To replace a piston for your palm nailer:**

1. DISCONNECT NAILER FROM THE AIR SUPPLY!
2. Using a 19mm wrench, remove the nose piece, depth guide, compression spring, and flat washer.
3. Use the 4mm hex wrench to remove the four cap screws on the nailer cap,

10. Replace the rear cap and secure it with the four cap screws removed in **Step 3**.
11. Re-install the flat washer, compression spring, depth guide, and nose piece onto the front of the nailer, then use a 19mm wrench to tighten the nose piece.

**Note:** For more assistance, or to install a complete O-ring set, refer to the appropriate breakdown diagram in the back of this manual for component locations.



# CLEANING & LUBRICATION

## Cleaning

Use non-flammable solvent to clean the nose assembly of the nailer. Always be sure that the nailer is dry before using it again.

Do not allow dust, chips, sand, etc. into the air connectors or into the body of the nailer; this may result in leaks and damage to the nailer and the air couplings.

**⚠ WARNING**



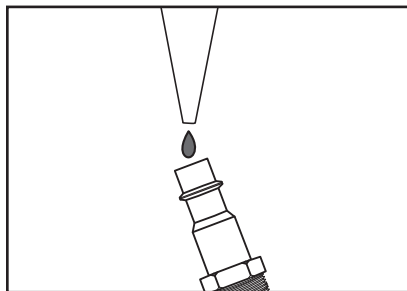
**Never clean this tool with gasoline or other flammable liquids. Vapors in the tool may ignite, causing the tool to explode. Ignoring this warning may lead to serious personal injury or even death!**

## Lubricating

Standard pneumatic tool oil has been included with your new Grizzly nailer to help maintain its useful life. Place two to six drops of oil in the nailer air inlet (as shown in **Figure 12**) before every use, or after 2 hours of continuous use.

Wipe off any excess oil near the nailer exhaust to avoid dust build-up. When the oil that was included with the nailer has been completely used, replace it with Grizzly Model G2820 Pneumatic Tool Oil.

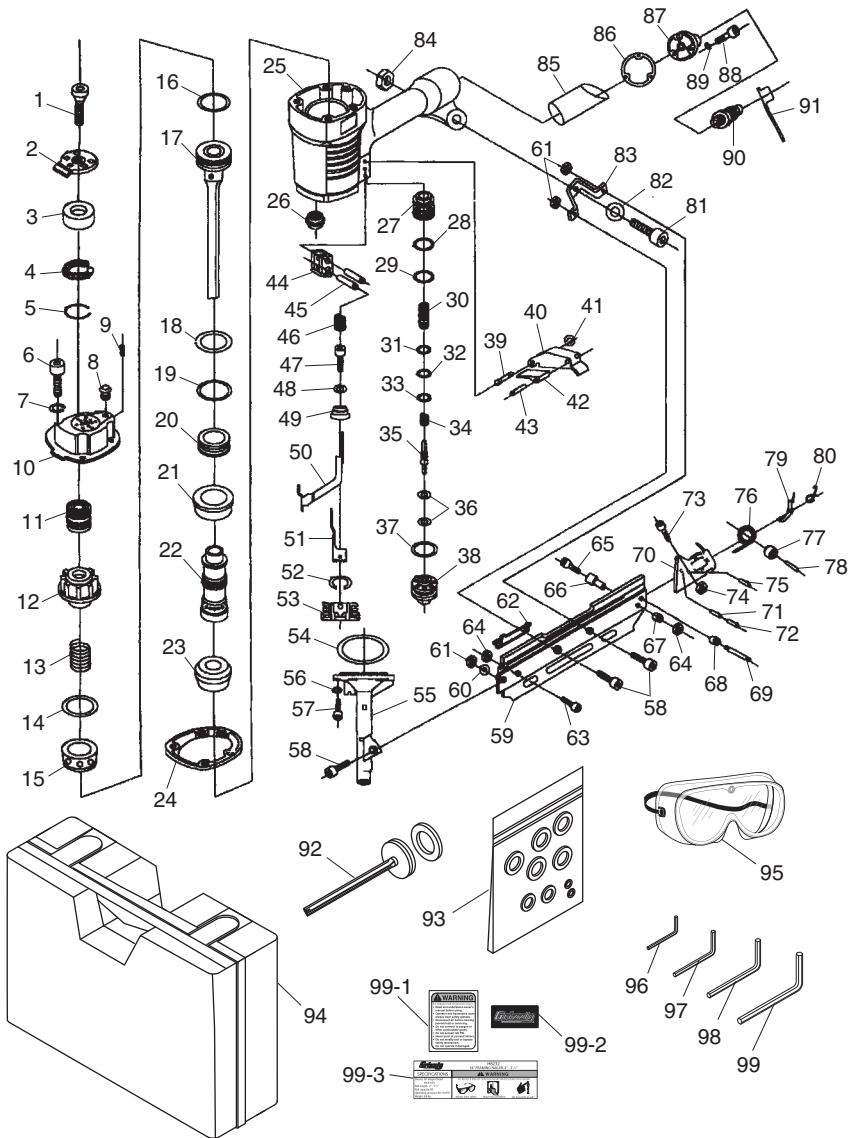
Another option to manual oiling would be to install a lubricator in your air compressor line. If your air compressor line already has a lubricator, then regular lubrication of your nailer will not be necessary. Just make sure there is always oil in the lubricator.



**Figure 12.** Lubricating nailer via air inlet.

# H8232 PARTS

## Framing Nailer Parts Breakdown

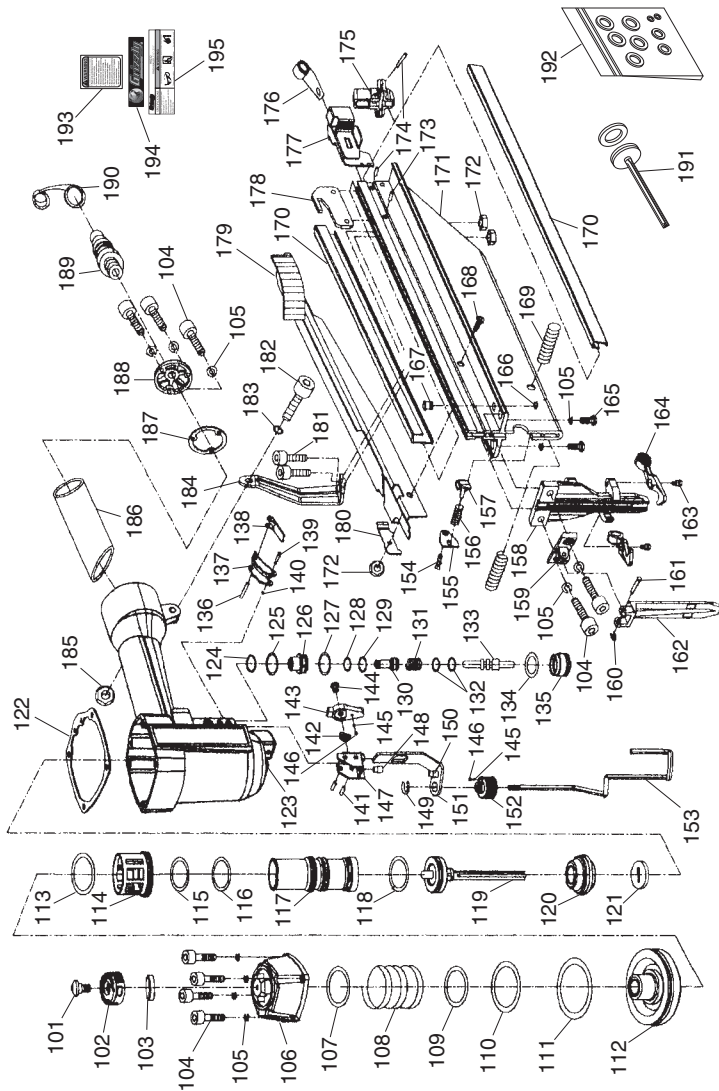


# Framing Nailer Parts List

REF PART #	DESCRIPTION
1	PSB31M CAP SCREW M8-1.25 X 25
2	PH8233002 EXHAUST PORT
3	PH8233003 SPACER
4	PH8233004 CIRCULAR SPRING
5	PH8233005 RETAINING RING
6	PSB06M CAP SCREW M6-1 X 25
7	PLW03M LOCK WASHER 6MM
8	PH8233008 CYLINDER PLUG
9	PSS07M SET SCREW M5-.8 X 5
10	PH8233010 CYLINDER COVER
11	PH8233011 PISTON STOP
12	PH8233012 SPRING SEAT
13	PH8233013 COMPRESSION SPRING
14	PH8233014 SPECIAL WASHER
15	PH8233015 PISTON COLLAR
16	POR0079 O-RING 42.3 X 5
17	PH8233017 PISTON
18	PORG055 O-RING 54.4 X 3.1 G55
19	POR0080 O-RING 88 X 3
20	PH8233020 THREADED RETAINING RING
21	PH8233021 SEALING RING
22	PH8233022 CYLINDER
23	PH8233023 BUMPER
24	PH8233024 GASKET
25	PH8233025 NAILER BODY
26	PH8233026 SPACER
27	PH8233027 PISTON VALVE SEAT
28	PORP015 O-RING 14.8 X 2.4 P15
29	PORS018 O-RING 17.5 X 1.5 S18
30	PH8233030 PISTON VALVE
31	PORP006 O-RING 5.8 X 1.9 P6
32	PORP007 O-RING 6.8 X 1.9 P7
33	PORP009 O-RING 8.8 X 1.9 P9
34	PH8233034 COMPRESSION SPRING
35	PH8233035 TRIGGER SHAFT
36	PORS003 O-RING 2.5 X 1.5 S3
37	PORP020 O-RING 19.8 X 2.4 P20
38	PH8233038 TRIGGER SEAT
39	PH8233039 TRIGGER PIN
40	PH8233040 TRIGGER
41	PH8233041 RUBBER RETAINING RING
42	PH8233042 SAFETY CATCH
43	PRP02M ROLL PIN 3 X 16
44	PH8233044 SLIDING BRACKET
45	PRP16M ROLL PIN 3 X 25
46	PH8233046 COMPRESSION SPRING
47	PSB03M CAP SCREW M5-.8 X 8
48	PW02M FLAT WASHER 5MM
49	PH8233049 ADJUSTING NUT
50	PH8233050 SAFETY YOKE
51	PH8233051 SAFETY NOSE

REF PART #	DESCRIPTION
52	PH8233052 COPPER COLLAR
53	PH8233053 SAFETY NOSE CASE
54	PORS060 O-RING 59.5 X 2.0 S60
55	PH8233055 DRIVE GUIDE
56	PLW04M LOCK WASHER 8MM
57	PSB13M CAP SCREW M8-1.25 X 30
58	PSB26M CAP SCREW M6-1 X 12
59	PH8233059 MAGAZINE
60	PW03M FLAT WASHER 6MM
61	PLN03M LOCK NUT M6-1
62	PH8233062 PUSHER
63	PSB18M CAP SCREW M4-.7 X 8
64	PLN01M LOCK NUT M4-.7
65	PSB46M CAP SCREW M4-.7 X 40
66	PH8233066 SAFETY SHAFT
67	PH8233067 SAFETY SHAFT CASING
68	PH8233068 PIN CASING
69	PH8233069 SPECIAL PIN
70	PH8233070 PUSHER CATCH
71	PRP42M ROLL PIN 3 X 20
72	PRP03M ROLL PIN 5 X 20
73	PSB93M CAP SCREW M3-.5 X 14
74	PH8232074 LOCK NUT M3-.5
75	PH8233075 PIN B4 X 30
76	PH8233076 TORSION SPRING
77	PH8233077 SPRING CORE
78	PH8233078 PIN B5 X 12
79	PH8233079 RELEASE LATCH
80	PH8233080 LATCH SPRING
81	PSB38M CAP SCREW M5-.8 X 25
82	PW02M FLAT WASHER 5MM
83	PH8233083 LATCH BRACKET
84	PLN02M LOCK NUT M5-.8
85	PH8233085 RUBBER GRIP
86	PH8233086 GASKET
87	PH8233087 END CAP
88	PSB15M CAP SCREW M5-.8 X 20
89	PLW01M LOCK WASHER 5MM
90	PH8233090 AIR FITTING 1/4 NPT
91	PH8233091 AIR FITTING DUST CAP
92	PH8233092 PISTON REPAIR KIT
93	PH8233093 O-RING REPAIR KIT
94	PH8233094 CARRYING CASE
95	PH8233095 SAFETY GOGGLES
96	PAW03M HEX WRENCH 3MM
97	PAW04M HEX WRENCH 4MM
98	PAW05M HEX WRENCH 5MM
99	PAW06M HEX WRENCH 6MM
99-1	PH8232099-1 WARNINGS LABEL
99-2	PH8232099-2 GRIZZLY LOGO LABEL
99-3	PH8232099-3 TOOL ID LABEL

# Finish Nailer Parts Breakdown

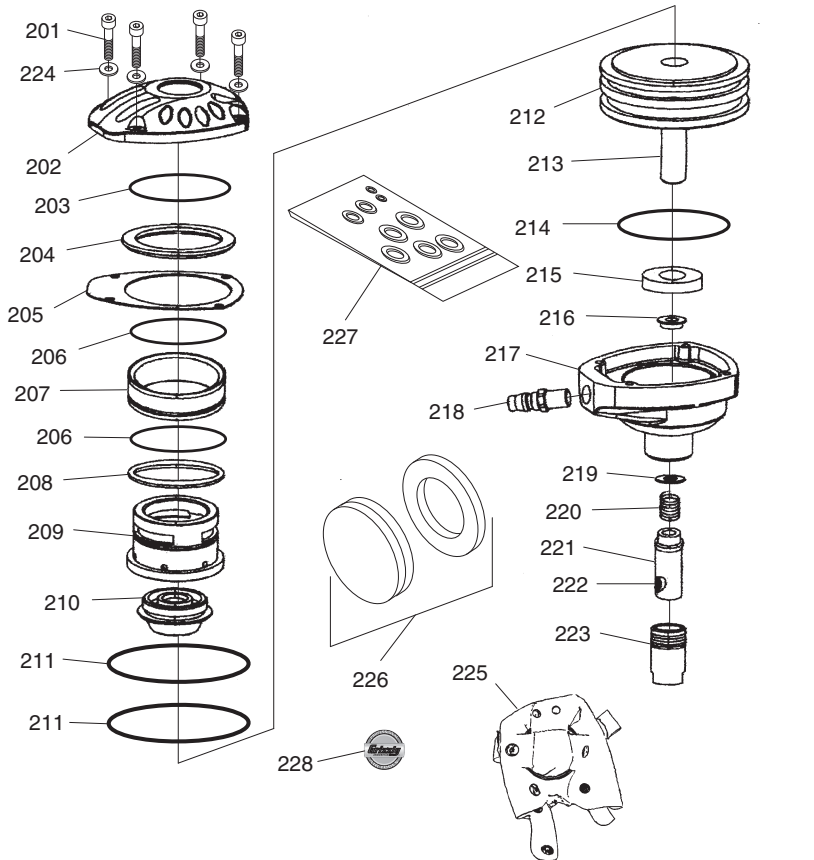


# Finish Nailer Parts List

REF	PART #	DESCRIPTION
101	PH6143001	SPECIAL BOLT
102	PH6143002	EXHAUST PORT
103	PH6143003	BUMPER WASHER
104	PSB38M	CAP SCREW M5-.8 X 25
105	PLW01M	LOCK WASHER 5MM
106	PH6143006	CYLINDER COVER
107	PORP018	O-RING 17.8 X 2.4 P18
108	PH6143008	COMPRESSION SPRING
109	PORP025	O-RING 24.7 X 3.5 P25
110	PORP038	O-RING 37.7 X 3.5 P38
111	PORP049	O-RING 48.7 X 3.5 P49
112	PH6143012	SWITCH VALVE
113	PORS060	O-RING 59.5 X 2.0 S60
114	PH6143014	COLLAR
115	PORP042	O-RING 41.7 X 3.5 P42
116	PORP042	O-RING 41.7 X 3.5 P42
117	PH6143017	CYLINDER
118	PORP031	O-RING 30.7 X 3.5 P31
119	PH6143019	MAIN PISTON
120	PH6143020	BUMPER
121	PH6143021	SPECIAL WASHER
122	PH6143022	GASKET
123	PH6143023	GUN BODY
124	PORP015	O-RING 14.8 X 2.4 P15
125	PORS018	O-RING 17.5 X 1.5 S18
126	PH6143026	TRIGGER VALVE SEAT
127	PORP006	O-RING 5.8 X 1.9 P6
128	PORP006	O-RING 5.8 X 1.9 P6
129	PORP009	O-RING 8.8 X 1.9 P9
130	PH6143030	TRIGGER VALVE GUIDE
131	PH6143031	SWITCH SPRING
132	PORS003	O-RING 2.5 X 1.5 S3
133	PH6143033	SWITCH VALVE STEM
134	PORP020	O-RING 19.8 X 2.4 P20
135	PH6143035	SWITCH VALVE SEAT
136	PH6143036	CLEVIS PIN 3 X 17
137	PH6143037	TRIGGER
138	PH6143038	SAFETY LATCH
139	PH6143039	TRIGGER PIN
140	PH6143040	O-RING 2 X 2.5
141	PRP55M	ROLL PIN 3 X 27
142	PH6143042	CONNECTOR
143	PH6143043	BRACKET
144	PH6143044	SPECIAL BOLT
145	PH6143045	STEEL BALL 2MM
146	PH6143046	COMPRESSION SPRING
147	PH6143047	SAFETY BRACKET
148	PH6143048	SPECIAL PIN

REF	PART #	DESCRIPTION
149	PEC09M	E-CLIP 6MM
150	PH6143050	ALIGNMENT PIN
151	PH6143051	NOSE BRACKET
152	PH6143052	ADJUSTMENT NUT
153	PH6143053	SAFETY NOSE
154	PSB41M	CAP SCREW M4-.7 X 14
155	PH6143055	BRACKET
156	PH6143056	COMPRESSION SPRING
157	PH6143057	ALIGNMENT BRACKET
158	PH6143058	NOSE GUIDE
159	PH6143059	SPACER
160	PEC16M	E-CLIP 2.5MM
161	PH6143061	CLEVIS PIN 2.5 X 19
162	PH6143062	NOSE COVER
163	PH6143063	SPECIAL SCREW
164	PH6143064	NOSE COVER LATCH
165	PH6143065	SPECIAL BOLT
166	PEC01M	E-CLIP 3MM
167	PH6143067	SPECIAL PIN
168	PSB17M	CAP SCREW M4-.7 X 10
169	PH6143069	COMPRESSION SPRING
170	PH6143070	NAIL GUIDE
171	PH6143071	MAGAZINE
172	PLN01M	LOCK NUT M4-.7
173	PSB57M	STELL RIVET
174	PRP02M	ROLL PIN 3 X 16
175	PH6143075	BRACKET
176	PH6143076	LATCH SPRING
177	PH6143077	PUSHER
178	PH6143078	MAGAZINE CATCH
179	PH6143079	MAGAZINE LATCH
180	PH6143080	BRACKET
181	PSB17M	CAP SCREW M4-.7 X 10
182	PSB02M	CAP SCREW M6-1 X 20
183	PW03M	FLAT WASHER 6MM
184	PH6143084	MAGAZINE SUPPORT
185	PLN03M	LOCK NUT M6-1
186	PH6143086	RUBBER GRIP
187	PH6143087	END CAP GASKET
188	PH6143088	END CAP
189	PH6143089	AIR VALVE 1/4" NPT MALE
190	PH6143090	AIR VALVE DUST CAP
191	PH8232191	PISTON REPAIR KIT
192	PH8232192	O-RING REPAIR KIT
193	PH8232193	WARNINGS LABEL
194	PH8232194	GRIZZLY LOGO LABEL
195	PH8232195	TOOL ID LABEL

# Palm Nailer Parts Breakdown & List



REF PART #	DESCRIPTION
201	PSB15M CAP SCREW M5-.8 X 20
202	PH6141002 CAP
203	PORPG050 O-RING 54.4 X 3.1 G50
204	PH6141004 RUBBER SEAL 54MM
205	PH6141005 GASKET
206	PORPG050 O-RING 54.4 X 3.1 G50
207	PH6141007 CYLINDER COLLAR
208	PH6141008 SEALING RING
209	PH6141009 CYLINDER
210	PH6141010 CYLINDER COVER
211	PORG040 O-RING 39.4 X 3.1 G40
212	PH6141012 PISTON
213	PH6141013 RAM PIN
214	PORG060 O-RING 59.4 X 3.1 G60

REF PART #	DESCRIPTION
215	PH6141015 BUMPER 16 X 40 X 8
216	PH6141016 AXLE SLEEVE 8MM
217	PH6141017 NAILER BODY
218	PH6141018 AIR INLET VALVE 1/4" NPT
219	PH6141019 SPECIAL WASHER 9 X 20 X 1
220	PH6141020 COMPRESSION SPRING
221	PH6141021 DEPTH GUIDE
222	PH6141022 MAGNET
223	PH6141023 NOSE PIECE M20-1.5 X 37
224	PW02M FLAT WASHER 5MM
225	PH6141025 LEATHER POUCH
226	PH6141026 PISTON REPAIR KIT
227	PH6141027 O-RING REPAIR KIT
228	PH8232228 GRIZZLY LOGO LABEL

# TROUBLESHOOTING

Symptom	Possible Cause	Solution
Air leaking at trigger valve area.	1. O-rings in trigger valve housing are damaged.	1. O-rings must be replaced & operation of safety nose must be checked.
Air leaking.	1. Loose screws in housing. 2. Damaged O-ring(s). 3. Loose air fitting.  4. Damaged housing gasket(s).	1. Tighten screws. 2. Replace O-ring(s). 3. Tighten air fitting & use teflon tape. 4. Replace gasket(s).
Tool skips nails while discharging.	1. Excessive air pressure. 2. Air leaks. 3. Dirt in nose. 4. Dirt or damage prevents nails from moving freely in magazine. 5. Inadequate air flow to tool.  6. Worn O-ring on piston or lack of lubrication. 7. Damaged O-rings on trigger valve. 8. Worn bumper. 9. Cap seal leaking.	1. Reduce air pressure to tool. 2. Tighten screws and fittings. 3. Clean nose. 4. Clean magazine and inspect/repair damage.  5. Check fitting, hose, compressor & air pressure. 6. Replace piston O-ring. Lubricate. 7. Replace trigger valve O-rings. 8. Replace bumper. 9. Replace cap seal.
Tool runs slowly or has a loss of power.	1. Undersized air hose. 2. Nailer is not lubricated. 3. Broken spring in cap assembly. 4. Exhaust port in cap is blocked.  5. Air pressure too low.	1. Use a larger air hose. 2. Lubricate nailer. 3. Replace spring. 4. Clean or replace damaged internal parts. 5. Increase air pressure.
Fasteners frequently jam the nailer.	1. Nails are the wrong size. 2. Nails are bent or dirty.  3. Magazine or nose screws are loose. 4. Driver or driver guide are worn or damaged. 5. Nails are wrong angle.	1. Use correct nails. 2. Use undamaged, clean nails. 3. Tighten magazine. 4. Replace worn or damaged parts. 5. Use correct angle nails.
Nailer does not fire.	1. Nailer is not lubricated. 2. Nail is jammed in magazine or discharge area. 3. Piston shaft is damaged. 4. Air pressure too low.	1. Lubricate nailer. 2. Clear nailer magazine or discharge area. 3. Replace piston shaft. 4. Check/increase air pressure.

# WARRANTY AND RETURNS

---

---

Grizzly Industrial, Inc. warrants every product it sells for a period of **1 year** to the original purchaser from the date of purchase. This warranty does not apply to defects due directly or indirectly to misuse, abuse, negligence, accidents, repairs or alterations or lack of maintenance. This is Grizzly's sole written warranty and any and all warranties that may be implied by law, including any merchantability or fitness, for any particular purpose, are hereby limited to the duration of this written warranty. We do not warrant or represent that the merchandise complies with the provisions of any law or acts unless the manufacturer so warrants. In no event shall Grizzly's liability under this warranty exceed the purchase price paid for the product and any legal actions brought against Grizzly shall be tried in the State of Washington, County of Whatcom.

We shall in no event be liable for death, injuries to persons or property or for incidental, contingent, special, or consequential damages arising from the use of our products.

To take advantage of this warranty, contact us by mail or phone and give us all the details. We will then issue you a "Return Authorization Number," which must be clearly posted on the outside as well as the inside of the carton. We will not accept any item back without this number. Proof of purchase must accompany the merchandise.

The manufacturers reserve the right to change specifications at any time because they constantly strive to achieve better quality equipment. We make every effort to ensure that our products meet high quality and durability standards and we hope you never need to use this warranty.

Please feel free to write or call us if you have any questions about the machine or the manual.

**Grizzly Industrial, Inc.**  
**1203 Lycoming Mall Circle**  
**Muncy, PA 17756**  
**Phone: (570) 546-9663**  
**Fax: (800) 438-5901**

**E-Mail:**  
**techsupport@grizzly.com**

**Web Site: <http://www.grizzly.com>**

Thank you again for your business and continued support. We hope to serve you again soon!



## Free Manuals Download Website

<http://myh66.com>

<http://usermanuals.us>

<http://www.somanuals.com>

<http://www.4manuals.cc>

<http://www.manual-lib.com>

<http://www.404manual.com>

<http://www.luxmanual.com>

<http://aubethermostatmanual.com>

Golf course search by state

<http://golfingnear.com>

Email search by domain

<http://emailbydomain.com>

Auto manuals search

<http://auto.somanuals.com>

TV manuals search

<http://tv.somanuals.com>