

Grizzly **Industrial, Inc.**®

MODEL H7945/H7946/H7995

INSTRUCTION MANUAL



**H7945 18 GAUGE
26° ANGLE NAILER**



**H7946 15 GAUGE
26° ANGLE NAILER**



**H7995 16 GAUGE
26° ANGLE NAILER**

COPYRIGHT © NOVEMBER, 2006 BY GRIZZLY INDUSTRIAL, INC.
**WARNING: NO PORTION OF THIS MANUAL MAY BE REPRODUCED IN ANY SHAPE
OR FORM WITHOUT THE WRITTEN APPROVAL OF GRIZZLY INDUSTRIAL, INC.**
#JC8621 PRINTED IN TAIWAN

SAFETY

WARNING

For Your Own Safety Read Instruction Manual Before Operating This Equipment

The purpose of safety symbols is to attract your attention to possible hazardous conditions. This manual uses a series of symbols and signal words which are intended to convey the level of importance of the safety messages. The progression of symbols is described below. Remember that safety messages by themselves do not eliminate danger and are not a substitute for proper accident prevention measures.



Indicates an imminently hazardous situation which, if not avoided, WILL result in death or serious injury.



Indicates a potentially hazardous situation which, if not avoided, COULD result in death or serious injury.



Indicates a potentially hazardous situation which, if not avoided, MAY result in minor or moderate injury. It may also be used to alert against unsafe practices.

NOTICE

This symbol is used to alert the user to useful information about proper operation of the equipment.

WARNING

Safety Instructions For Pneumatic Tools

- KEEP ALL SAFETY DEVICES IN PLACE** and in working order.
- REMOVE ADJUSTING KEYS AND WRENCHES.** Form habit of checking to see that keys and adjusting wrenches are removed from tool before operation.
- KEEP WORK AREA CLEAN.** Cluttered areas and benches invite accidents.
- DO NOT USE IN DANGEROUS ENVIRONMENT.** Do not use pneumatic tools in damp or wet locations, or where any flammable or noxious fumes may exist. Keep work area well lighted.
- KEEP CHILDREN AND VISITORS AWAY.** All children and visitors should be kept at a safe distance from work area.
- MAKE WORKSHOP CHILD PROOF** by locking your shop and shutting off air valves.
- DO NOT FORCE TOOL.** It will do the job better and safer at the rate for which it was designed.
- USE THE RIGHT TOOL.** Do not force tool or attachment to do a job for which it was not designed.
- DO NOT USE UNDER THE INFLUENCE OF DRUGS OR ALCOHOL.**

WARNING

Safety Instructions For Pneumatic Tools

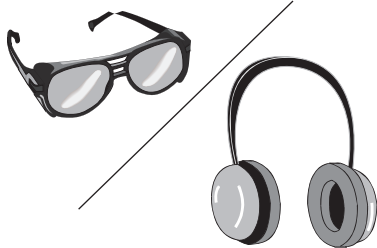
10. **USE PROPER AIR HOSE** for the tool. Make sure your air hose is in good condition and is long enough to reach your work without stretching.
11. **WEAR PROPER APPAREL.** Do not wear loose clothing, gloves, neckties, rings, bracelets, or other jewelry which may get caught in moving parts. Non-slip footwear is recommended. Wear a protective hair covering to contain long hair.
12. **ALWAYS USE ANSI APPROVED SAFETY GLASSES.** Also use a face or dust mask if cutting operation is dusty. Everyday eyeglasses only have impact resistant lenses, they are NOT safety glasses.
13. **ALWAYS WEAR ANSI APPROVED HEARING PROTECTION.**
14. **SECURE WORK.** Use clamps or a vise to hold work when practical. It is safer than using your hand and frees both hands to operate tool.
15. **MAINTAIN TOOLS WITH CARE.** Keep tools lubricated and clean for best and safest performance. Follow instructions for lubricating and changing accessories.
16. **REDUCE THE RISK OF UNINTENTIONAL STARTING.** Do not carry tool with hand on trigger and always disconnect from air when not in use.
17. **DISCONNECT TOOLS** before servicing, changing accessories, or moving to another location.
18. **DO NOT OVERREACH.** Keep proper footing and balance at all times.
19. **USE THE RECOMMENDED ACCESSORIES.** Consult owner's manual for recommended accessories. The use of improper accessories may cause risk of injury.
20. **CHECK FOR DAMAGED PARTS BEFORE USING.** Check for binding and alignment of parts, broken parts, part mounting, loose bolts, and any other conditions that may affect machine operation. Repair or replace damaged parts.
21. **NEVER LEAVE UNATTENDED TOOL CONNECTED TO AIR.** Disconnect the air hose and do not leave tool until it is relieved of any built up pressure.
22. **NEVER ALLOW UNTRAINED USERS TO USE THIS TOOL WHILE UNSUPERVISED.**
23. **IF YOU ARE UNSURE OF THE INTENDED OPERATION, STOP USING THE TOOL.** Seek formal training or research books or magazines that specialize in pneumatic tools.

WARNING

Additional Safety Instructions for Nailers

- 1. HAND INJURIES:** Do not place your hands near the nail point of entry. A nail can deflect and tear through the surface of the workpiece, puncturing your hand or fingers.
- 2. COMBUSTIBLE GASES:** Never connect the nailer to pressurized oxygen or other combustible gases as a power source. Only use filtered, lubricated, and regulated compressed air.
- 3. SAFE HANDLING:** Never point the nailer at others! Do not keep the trigger pulled when loading fasteners, carrying, or holding tool. Carry the nailer only by the handle, never by any other part. Do not carry the nailer by the air hose. Disconnect the nailer from the air hose when going up and down ladders.
- 4. AIR HOSE:** Make sure your air hose is designed for the tool in use, is in good condition, and is long enough to reach your work without stretching. However, an overly long air hose in the work area may be a tripping hazard.
- 5. COMPRESSED AIR RATING:** Do not connect the nailer to compressed air that exceeds 120 PSI.
- 6. CHECK VALVE:** Do not use a check valve or any other fitting that allows air to remain in the tool.
- 7. CLEANING:** Never use gasoline or other flammable liquids to clean the nailer; vapors in the nailer may ignite by a spark and cause the nailer to explode.
- 8. OPERATING QUESTIONS:** If you are not sure about the intended operation, stop using the nailer. Seek formal training or research sources that specialize in pneumatic tools.
- 9. MAINTENANCE:** Always disconnect air from the nailer when servicing or installing nails. During adjustments or maintenance, a nailer connected to air may fire accidentally, causing serious personal injury.

!WARNING



Operating this nailer can propel objects into the air, causing immediate eye damage. To protect yourself, always wear American National Standards Institute (ANSI) approved safety glasses or goggles when operating this equipment. In addition, the intensity of sound made by this nailer at discharge can reach 90 decibels. To protect your hearing, always wear ANSI approved ear protection when operating this nailer.

!WARNING

Never point this nailer at yourself or another person! Always pay attention to the direction this nailer is pointed. Use this tool with respect and caution to lessen the possibility of operator or bystander injury. Ignoring this warning may result in serious personal injury.

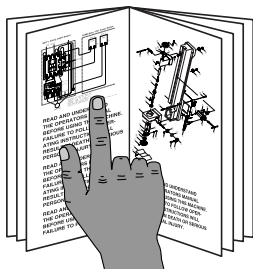
!CAUTION

Nailer accidents routinely happen while moving the gun to another location, such as up ladders, to another room, or even another job site. Always disconnect the gun immediately after use and never transport the gun while connected to the air—even if the air compressor is disconnected from its power source!

!CAUTION

No list of safety guidelines can be complete. Every shop environment is different. Always consider safety first, as it applies to your individual working conditions. Use this and other tools with caution and respect. Failure to do so could result in serious personal injury, damage to equipment or poor work results.

!WARNING



Read the manual before operation. Become familiar with these nailers, their safety instructions, and operation before beginning any work. Serious personal injury may result if safety or operational information is not understood or followed.

INTRODUCTION

Foreword

We are proud to offer the Grizzly Model H7945/H7946/H7995 26° Angle Nailer. This nailer is part of a growing Grizzly family of fine pneumatic tools. When used according to the guidelines in this manual, you can expect years of trouble-free, enjoyable operation and proof of Grizzly's commitment to customer satisfaction.

The specifications and photographs in this manual represent Models H7945/H7946/H7995 as supplied when this manual was prepared. However, owing to Grizzly's policy of continuous improvement, changes may be made at any time with no obligation on the part of Grizzly.

Model H7945 Specifications

Nail Type 18 Gauge @ 26°
Nail Length 7/8"-2"
Magazine Capacity 128 Nails
Weight 3.0 lbs.
Air Inlet 1/4" NPT.
Operating Pressure 70-110 PSI

Model H7946 Specifications

Nail Type 15 Gauge @ 26°
Nail Length 7/8"-2"
Magazine Capacity 86 Nails
Weight 3.0 lbs.
Air Inlet 1/4" NPT.
Operating Pressure 70-110 PSI

Model H7995 Specifications

Nail Type 16 Gauge @ 26°
Nail Length 7/8"-2"
Magazine Capacity 100 Nails
Weight 3.0 lbs.
Air Inlet 1/4" NPT.
Operating Pressure 70-110 PSI

Contact Info

If you have any comments regarding this manual, please write to us at the following address:

Grizzly Industrial, Inc.
C/O Technical Documentation Manager
P.O. Box 2069
Bellingham, WA 98227-2069
Email: manuals@grizzly.com

Most importantly, we stand behind our tools. If you have any service questions or parts requests, please call or write us at the location listed below.

Grizzly Industrial, Inc.
1203 Lycoming Mall Circle
Muncy, PA 17756
Phone: (570) 546-9663
Fax: (800) 438-5901

E-Mail: techsupport@grizzly.com
Web Site: <http://www.grizzly.com>

SETUP

Unpacking

Your Model H7945/H7946/H7995 left our warehouse in a carefully packed box. If you discover the nailer is damaged after you have signed for delivery, *please immediately call Customer Service at (570) 546-9663 for advice.*

Save the containers and all packing materials for possible inspection by the carrier or its agent. *Otherwise, filing a freight claim can be difficult.*

When you are completely satisfied with the condition of the shipment, you should inventory the equipment.

Inventory

After you open the nailer box, you should find the following.

Model H7945/H7946/H7995 Inventory (Figure 1)

- A. Nailer..... 1
- B. Nailer Case 1
- C. Pneumatic Tool Oil 1
- D. Hex Wrenches 3, 4mm 1 Each
- E. Nail Assortment (not shown)..... 1



Figure 1. Model H7945 /H7946/H7995 inventory.

Compressed Air System

The Model H7945/H7946/H7995 is designed to be operated at 70–110 PSI using clean, dry, regulated, compressed air. DO NOT exceed 120 PSI.

Before using your new nailer, set the air pressure on your regulator to the minimum PSI for your model.

An in-line filter/lubricator/regulator unit, depicted in **Figure 2**, can be installed and should be located as close to the nailer as possible.

This filter/lubricator/regulator unit will protect your tool from damaging water build-up, allow you to adjust and maintain constant air pressure to your tool, and save you the inconvenience of manually lubricating your tool every time you use it.

Check the current Grizzly catalog for availability of this unit. If you plan on installing a filter/lubricator/regulator unit in your compressed air system, always follow the connection instructions that come with the unit.

⚠ WARNING

Exceeding the maximum permissible operating pressure may damage the seals, gaskets and hammer mechanism of your nailer. DO NOT allow your air compressor to exceed the recommended pressure when connected to this nailer or serious personal injury may result!

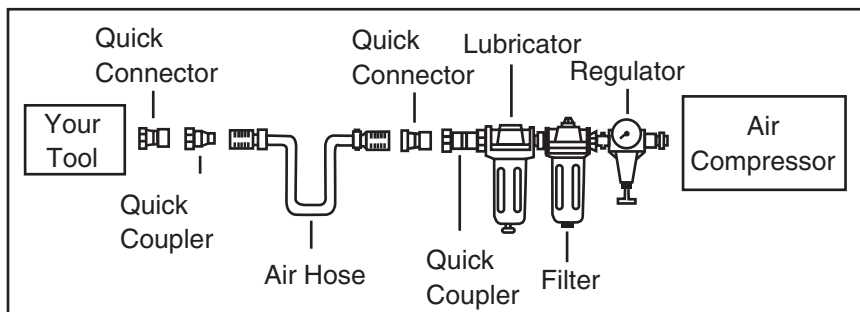


Figure 2. Typical filter/lubricator/regulator installation order.

Testing the Safety Nose Mechanism

A safety mechanism (bump fire) on the nose of the nailer protects against accidental firing. This mechanism is activated when nails are loaded into the magazine. The nailer will not fire when the trigger is pulled until the safety nose is fully depressed.

Before you use your nailer for the first time, check the safety nose mechanism to ensure proper function.

WARNING

The safety mechanism is a mechanical device that can fail. Never rely on this mechanism as an excuse to point the nailer at yourself or any bystanders. Serious injury may occur.

To verify that the safety nose is working correctly:

1. DISCONNECT NAILER FROM THE AIR SUPPLY!
2. Insert a nail strip in the magazine (see **Page 8** for instructions).
3. Make sure the trigger and the safety nose mechanism move up and down without sticking.
4. Connect the nailer to the air supply.

WARNING

Point the nailer away from you and others when connecting the air supply. The nailer can cycle and discharge a nail when the air supply is connected. Ignoring this warning may result in serious personal injury.

5. Without pressing the trigger, depress the safety nose mechanism against a scrap piece of wood that is clean and free of any knots, nails, or other foreign objects.

— If the nailer does not fire, then the safety nose mechanism is working correctly.

— If the nailer **does fire** when you depress the safety nose, immediately disconnect the nailer from the air supply and call Grizzly Technical Support at (570) 546-9663 for help.

6. Without depressing the safety nose, point the nailer in a safe direction, and pull the trigger.

— If the nailer does not fire, then the safety nose mechanism is working correctly.

— If the nailer **does fire** when the trigger is pulled, without the safety nose mechanism being depressed, immediately disconnect the nailer from the air supply and call Grizzly Technical Support at (570) 546-9663 for help.

OPERATIONS

Loading

Use nails meeting the specifications listed for your nailer on **Page 4** of this manual.

To load nails in your nailer:

1. DISCONNECT NAILER FROM THE AIR SUPPLY!

⚠ WARNING

Point the nailer away from you and others when connecting the air supply. The nailer can cycle and discharge a nail when the air supply is connected. Ignoring this warning may result in serious personal injury.

2. Slide the magazine pusher to the rear of the magazine as shown in **Figure 3**.

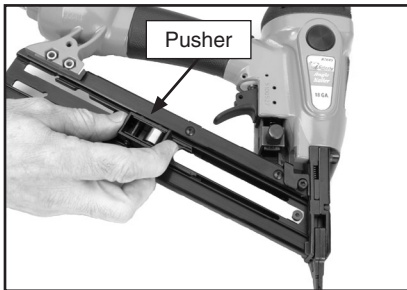


Figure 3. Sliding the pusher to the rear of the magazine.

3. Lift the pusher upward toward the nailer body until the pusher latches into the lock notch as shown in **Figure 4**.

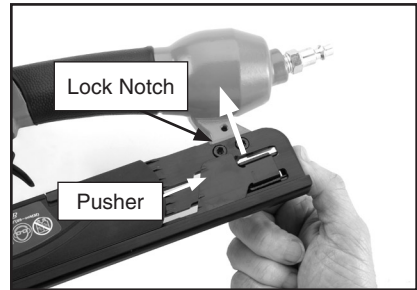


Figure 4. Lifting the pusher into the lock notch.

4. With the pusher locked at the rear of the magazine, insert a strip of nails into the magazine as shown in **Figure 5**.



Figure 5. Loading a nail strip into the magazine.

5. Lift the pusher out of the lock notch and guide it forward to push the nail strip to the nose of the nailer. (Do not let it snap.)

Unloading Nails

To remove unused nails:

1. DISCONNECT NAILER FROM THE AIR SUPPLY!
2. Point the nailer away from you and all bystanders.
3. Slide the pusher to the rear of the magazine and latch it into the lock notch.
4. Move the nails to the rear of the magazine and remove them by hand.

Rotating the Exhaust Cover

The exhaust cover rotates as needed to direct the exhaust away from you.

To rotate the exhaust cover:


1. Use the 4mm hex wrench to loosen the exhaust cover cap screw as shown in **Figure 6**.



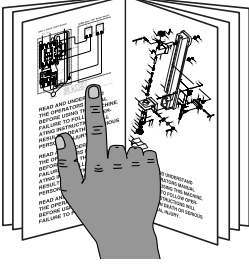
Figure 6. Loosening the exhaust cap screw.

2. Rotate the exhaust cover by hand to aim the exhaust port in the desired direction.
3. Tighten the exhaust cover cap screw.

Using the Nailer



WARNING



Read the manual before operation. Become familiar with these nailers, their safety instructions, and operation before beginning any work. Serious personal injury may result if safety or operational information is not understood or followed.

Before you operate your nailer, place five to six drops of air tool oil into the quick connect fitting where the nailer connects to the air supply.

To operate your nailer:

1. Connect the air supply to the quick connect fitting on your nailer.
2. To test for proper nail penetration, hold the nailer perpendicular to the surface of a piece of clean scrap wood that is thick enough for the length of nails you have loaded.
3. Depress the safety nose mechanism against your workpiece.

4. Before pulling the trigger, make sure your free hand and other body parts are positioned out of the way of a potential path of a nail in case of deflection (illustrated below in **Figure 7**).

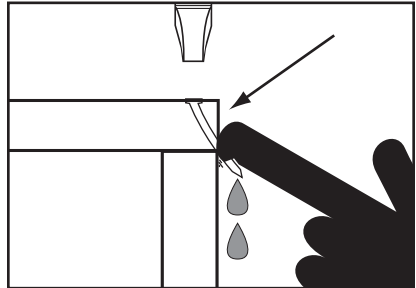


Figure 7. Example of nail deflection.

Note: Deflection is caused when grain irregularities, knots or foreign objects inside the wood cause the nail to change its path, resulting in the nail puncturing the surface of the workpiece.

Besides damaging your workpiece, deflection can cause injury if your free hand is securing the workpiece in the location that the nail deflects.

5. Pull the trigger.
 - If the nail penetrates the wood to the depth you want, continue with your intended operations.
 - If the nail either went too far or not far enough, adjust the depth of fire by following the procedures listed on **Page 11**.

Adjusting Depth

Adjusting the depth of nail penetration is done by turning the adjustment knob located near the trigger as shown in **Figure 8**.

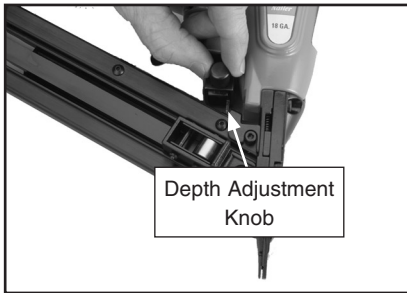


Figure 8. Depth adjustment knob.

To adjust the nail depth:

1. DISCONNECT NAILER FROM THE AIR SUPPLY AND POINT THE NAILER IN A SAFE DIRECTION!
2. Turn the depth adjustment knob to increase or decrease nail penetration:
 - If you want to increase the nail depth, then turn the adjusting knob counter clockwise.
 - If you want to decrease the nail depth, then turn the adjusting knob clockwise.
3. Connect the nailer to the air supply, test the nail depth, and repeat this entire procedure if necessary until the nail depth is satisfactory.

Clearing Jammed Nails

A jammed nail must be cleared before the nailer is used again.

To clear a jammed nail from the discharge area:

1. DISCONNECT NAILER FROM THE AIR SUPPLY!
2. Remove all nails from the magazine. (See **Unloading Nails** on **Page 9**.)
3. Use a pair of pliers to grab the jammed nail and pull it from the nose as shown in **Figure 9**.



Figure 9. Using pliers to remove a jammed nail.

Note: If you cannot remove the jammed nail in this way, then disassemble the nailer's nose assembly to gain full access to the nail, remove it and reassemble. Refer to the parts breakdown drawing included in the back pages of this manual for guidance during this procedure.

4. Throw the damaged nail away and insert a new strip of nails. DO NOT use dirty or damaged nails!

Replacing Pistons/O-Rings

If you need to replace piston parts in your nailer, you can purchase a piston repair kit from Grizzly; call 1-800-523-4777.

The Piston Repair Kit part number for Model H7945 is PH7945090; the Piston Repair Kit part number for Model H7946 is PH7946090; the Piston Repair Kit part number for Model H7995 is H7995090.

Refer to the parts breakdown during this procedure to identify parts and their locations inside the nailer.



To replace a piston and O-ring(s):

1. DISCONNECT NAILER FROM THE AIR SUPPLY!
2. Remove all nails from the magazine.
3. Remove the four screws that secure the nailer cap, then remove the cylinder cap and cylinder seal.

4. Push the top of the piston down with your finger as far as it will go; this will push the piston driver into the nose of the nailer.
5. Insert a stiff rod or wire of the same diameter as your nails into the discharge area of the nose and use it to push the piston driver up until the piston head clears the top of the cylinder. (Be careful not to scratch the discharge area or the piston cylinder.)
6. Grip the piston head by hand and remove the piston assembly from the cylinder.
7. Clean all metal parts with an automotive grade solvent. Clear all ports and blow the solvent away with compressed air.
8. Replace any part that shows damage of heavy wear. Relubricate the tool.
9. Apply a thin film of the nailer lubricating oil on the new O-ring and place it on the new piston. Install any other parts included in the piston repair kit.
10. Insert the new piston in the cylinder. Make sure that the grooves on the piston driver align with those in the set plate at the bottom of the cylinder.

Note: *DO NOT force the piston into the cylinder! If the piston is not easily inserted, double-check the alignment of the piston driver with the grooves on the set plate.*

12. Put the cylinder seal back on the top rim of the cylinder.
13. Make sure that the cap gasket is in place, then secure the cap to the nailer body by tightening the 4 cap screws.

CLEANING & LUBRICATING

Cleaning

Use an automotive grade solvent such as Sprayway C-60® (G2544 in the Grizzly catalog) to clean the nose assembly of the nailer. Always be sure that the nailer is dry before using it again.

Do not allow dust, chips, or sand into the air connectors or into the body of the nailer; this may result in leaks and damage to the nailer and the air couplings.



Never use gasoline to clean this tool. Use extreme caution when using any solvent cleaner. Always clean the tool in a well-ventilated area and never if sparks or open flames are present. Remember that electrical machinery can produce sparks during normal operation. Ignoring this warning can cause serious personal injury or even death!

Lubricating

Special pneumatic tool oil has been included with your new Grizzly nailer to help maintain its useful life. Place two to six drops of oil in the nailer air inlet (as shown in **Figure 10**) every 2 hours of continuous use.

Wipe off any excess oil near the nailer exhaust to avoid dust build-up. When the oil that was included with your nailer has been completely used, replace with Grizzly Model G2820 Pneumatic Tool Oil.

An efficient alternative to oiling your tool by hand is to install a lubricator in your air compressor line. If your air compressor line already has a lubricator, then regular lubrication of your nailer will not be necessary. Just make sure there is always oil in the lubricator.

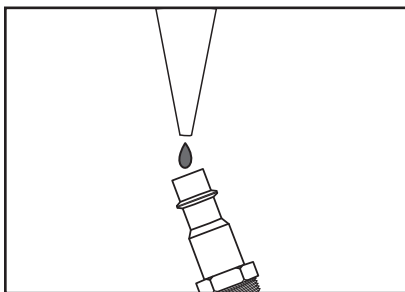
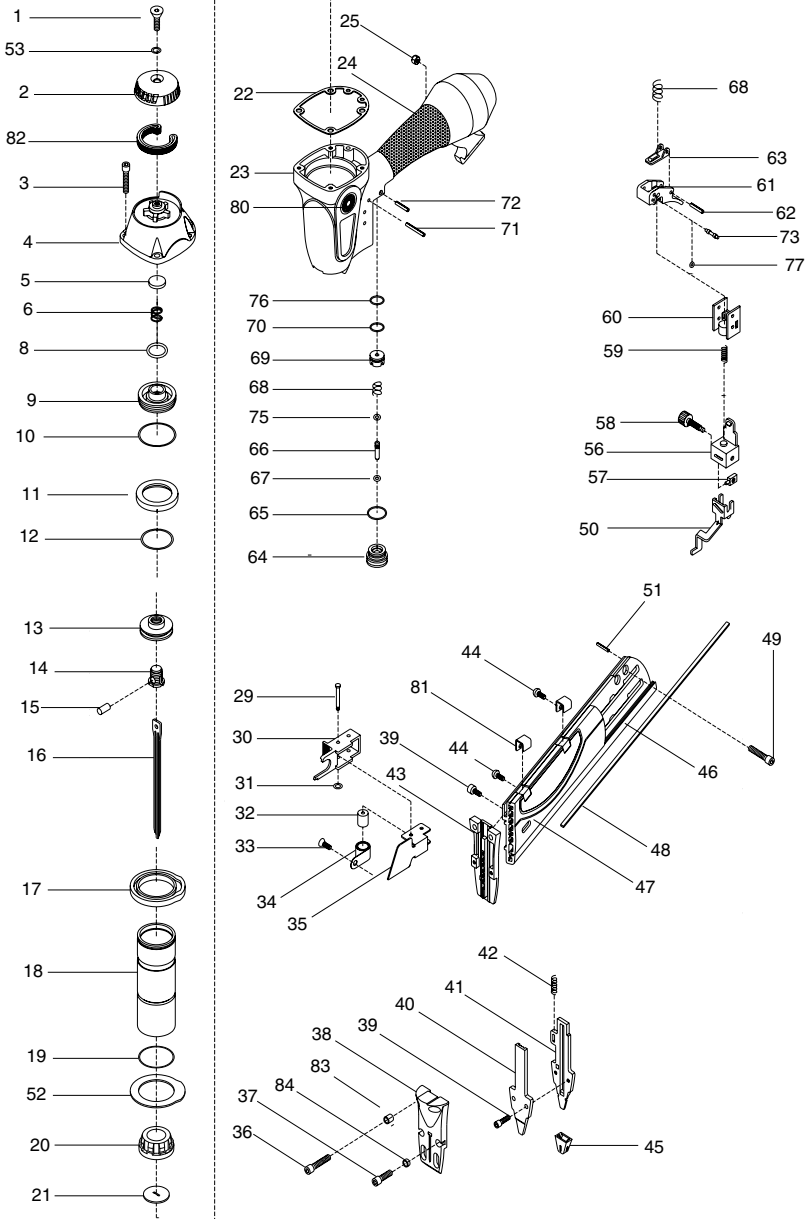


Figure 10. Lubricating the nailer at the air inlet.

H7945 PARTS BREAKDOWN



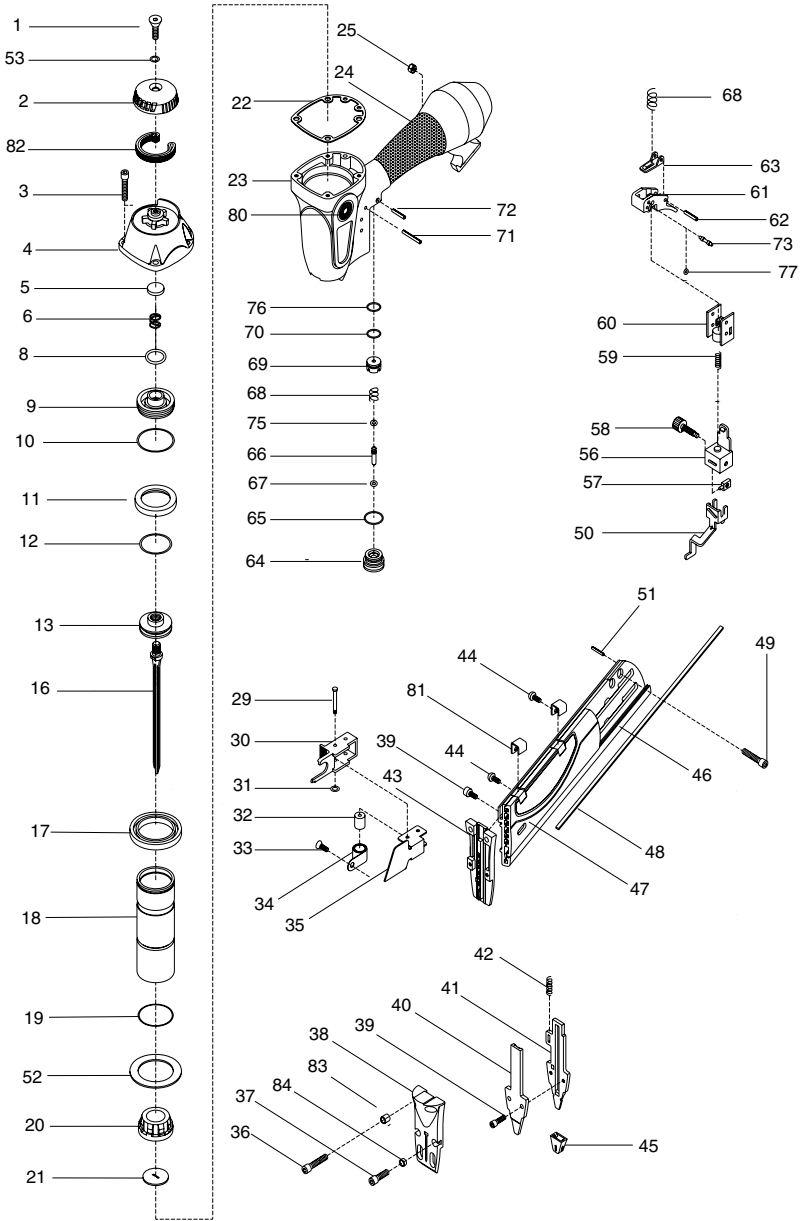
* Not Shown: #85 Nailer Case, #86 Included Pneumatic Oil, #87 Included Nail Assortment, #88-89 Included Hex Wrenches, #90 Piston Repair Kit, #91 Machine Label.

H7945 PARTS LIST

REF PART #	DESCRIPTION
1	PFH43M FLAT HD SCR M6-1 X 10
2	PH7945002 EXHAUST COVER
3	PSB53M CAP SCREW M5-.8 X 18
4	PH7945004 CAP
5	PH7945005 SEAL
6	PH7945006 SPRING
8	PH7945008 O-RING
9	PH7945009 PISTON HEAD VALVE
10	PH7945010 O-RING
11	PH7945011 SEAL
12	PH7945012 O-RING
13	PH7945013 PISTON
14	PH7945014 SCREW BLOCK
15	PH7945015 BALL PIN 4 X 10
16	PH7945016 DRIVER
17	PH7945017 COLLAR
18	PH7945018 CYLINDER
19	PH7945019 O-RING
20	PH7945020 BUMPER
21	PH7945021 SET PLATE
22	PH7945022 GASKET
23	PH7945023 NAILER BODY
24	PH7945024 RUBBER GRIP
25	PLN02M LOCK NUT M5-.8
29	PH7945029 STEPPED PIN
30	PH7945030 PUSHER GUIDE
31	PH7945031 O-RING
32	PH7945032 ROLLER
33	PFH27M FLAT HD SCR M4-.7 X 5
34	PH7945034 SPIRAL SPRING
35	PH7945035 PUSHER
36	PSB139M CAP SCREW M5-.8 X 22
37	PSB17M CAP SCREW M4-.7 X 10
38	PH7945038 NOSE COVER
39	PSB18M CAP SCREW M4-.7 X 8
40	PH7945040 DRIVER GUIDE PLATE
41	PH7945041 NOSE
42	PH7945042 SPRING
43	PH7945043 CORE TRIP
44	PSBS24M BUTTON HD CAP SCR M4-.7 X 10
45	PH7945045 RUBBER PAD

REF PART #	DESCRIPTION
46	PH7945046 MAGAZINE
47	PH7945047 MAGAZINE COVER
48	PH7945048 NAILER GUIDE
49	PSB33M CAP SCREW M5-.8 X 12
50	PH7945050 CONTACT ARM
51	PRP96M ROLL PIN 2 X 8
52	PH7945052 SUPPORT PLATE
53	PH7945053 O-RING
56	PH7945056 CONTACT TRIP BLOCK
57	PH7945057 ADJUSTING NUT
58	PH7945058 ADJUSTING BOLT
59	PH7945059 SPRING
60	PH7945060 TRIP GUIDE
61	PH7945061 TRIGGER
62	PRP98M ROLL PIN 3 X 16
63	PH7945063 TRIGGER PLATE
64	PH7945064 PLUNGER CAP
65	PH7945065 O-RING
66	PH7945066 PLUNGER
67	PH7945067 O-RING
68	PH7945068 SPRING
69	PH7945069 TRIGGER HEAD VALVE
70	PH7945070 O-RING
71	PRP97M ROLL PIN 3 X 30
72	PRP42M ROLL PIN 3 X 20
73	PH7945073 SLIDE SHAFT
75	PH7945075 O-RING
76	PH7945076 O-RING
77	PH7945077 O-RING
80	PH7945080 RUBBER LABEL
81	PH7945081 COVER SET PLATE
82	PH7945082 EXHAUST FILTER
83	PH7945083 SPACER
84	PH7945084 SPACER
85	PH7945085 NAILER CASE
86	PH7945086 PNEUMATIC OIL
87	PH7945087 NAIL ASSORTMENT
88	PAW03M HEX WRENCH 3MM
89	PAW04M HEX WRENCH 4MM
90	PH7945090 PISTON REPAIR KIT
91	PH7945091 MACHINE LABEL

H7946 PARTS BREAKDOWN



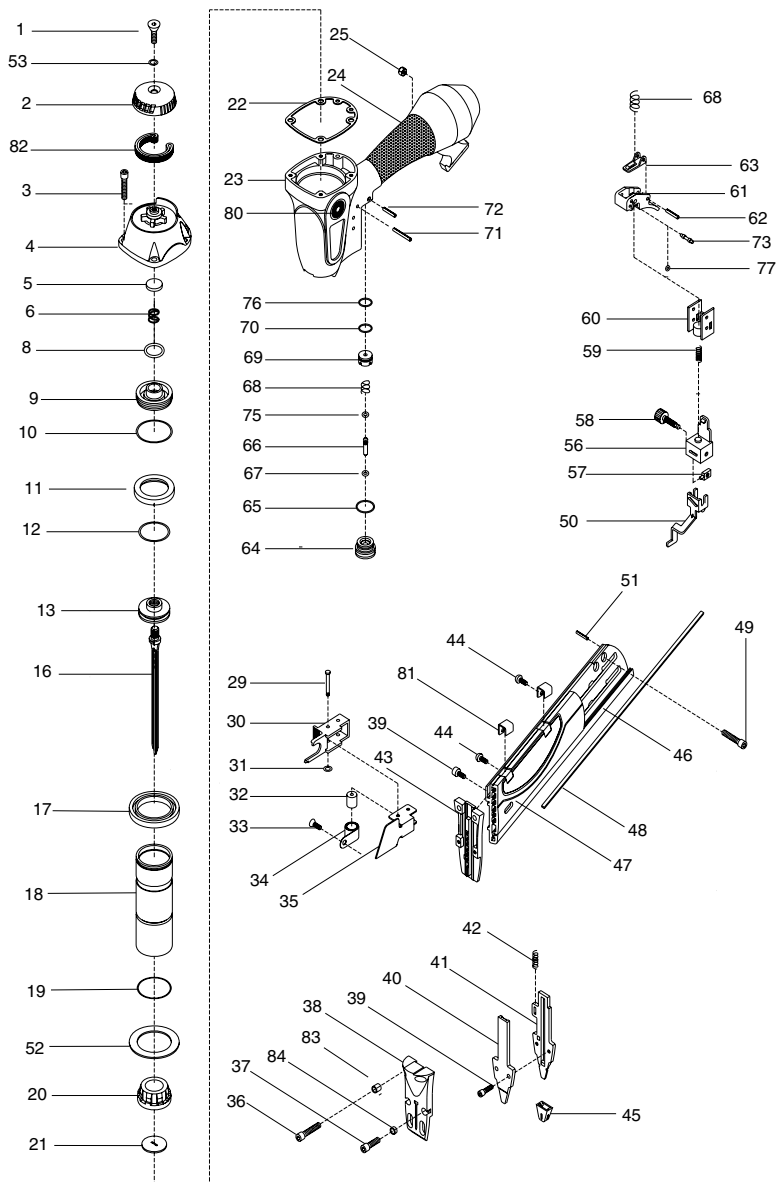
* Not Shown: #85 Nailer Case, #86 Included Pneumatic Oil, #87 Included Nail Assortment, #88-89 Included Hex Wrenches, #90 Piston Repair Kit, #91 Machine Label.

H7946 PARTS LIST

REF	PART #	DESCRIPTION
1	PFH43M	FLAT HD SCR M6-1 X 10
2	PH7945002	EXHAUST COVER
3	PSB53M	CAP SCREW M5-.8 X 18
4	PH7945004	CAP
5	PH7945005	SEAL
6	PH7945006	SPRING
8	PH7945008	O-RING
9	PH7945009	PISTON HEAD VALVE
10	PH7945010	O-RING
11	PH7945011	SEAL
12	PH7945012	O-RING
13	PH7946013	PISTON
16	PH7946016	DRIVER
17	PH7945017	COLLAR
18	PH7945018	CYLINDER
19	PH7945019	O-RING
20	PH7945020	BUMPER
21	PH7946021	SET PLATE
22	PH7945022	GASKET
23	PH7945023	NAILER BODY
24	PH7945024	RUBBER GRIP
25	PLN02M	LOCK NUT M5-.8
29	PH7945029	STEPPED PIN
30	PH7945030	PUSHER GUIDE
31	PH7945031	O-RING
32	PH7945032	ROLLER
33	PFH27M	FLAT HD SCR M4-.7 X 5
34	PH7945034	SPIRAL SPRING
35	PH7946035	PUSHER
36	PSB139M	CAP SCREW M5-.8 X 22
37	PSB17M	CAP SCREW M4-.7 X 10
38	PH7945038	NOSE COVER
39	PSB18M	CAP SCREW M4-.7 X 8
40	PH7946040	DRIVER GUIDE PLATE
41	PH7945041	NOSE
42	PH7945042	SPRING
43	PH7946043	CORE TRIP
44	PSBS24M	BUTTON HD CAP SCR M4-.7 X 10
45	PH7945045	RUBBER PAD
46	PH7946046	MAGAZINE

REF	PART #	DESCRIPTION
47	PH7945047	MAGAZINE COVER
48	PH7945048	NAILER GUIDE
49	PSB33M	CAP SCREW M5-.8 X 12
50	PH7945050	CONTACT ARM
51	PRP96M	ROLL PIN 2 X 8
52	PH7945052	SUPPORT PLATE
53	PH7945053	O-RING
56	PH7945056	CONTACT TRIP BLOCK
57	PH7945057	ADJUSTING NUT
58	PH7945058	ADJUSTING BOLT
59	PH7945059	SPRING
60	PH7945060	TRIP GUIDE
61	PH7945061	TRIGGER
62	PRP98M	ROLL PIN 3 X 16
63	PH7945063	TRIGGER PLATE
64	PH7945064	PLUNGER CAP
65	PH7945065	O-RING
66	PH7945066	PLUNGER
67	PH7945067	O-RING
68	PH7945068	SPRING
69	PH7945069	TRIGGER HEAD VALVE
70	PH7945070	O-RING
71	PRP97M	ROLL PIN 3 X 30
72	PRP42M	ROLL PIN 3 X 20
73	PH7945073	SLIDE SHAFT
75	PH7945075	O-RING
76	PH7945076	O-RING
77	PH7945077	O-RING
80	PH7945080	RUBBER LABEL
81	PH7945081	COVER SET PLATE
82	PH7945082	EXHAUST FILTER
83	PH7945083	SPACER
84	PH7945084	SPACER
85	PH7946085	NAILER CASE
86	PH7945086	PNEUMATIC OIL
87	PH7946087	NAIL ASSORTMENT
88	PAW03M	HEX WRENCH 3MM
89	PAW04M	HEX WRENCH 4MM
90	PH7946090	PISTON REPAIR KIT
91	PH7946091	MACHINE LABEL

H7995 PARTS BREAKDOWN



* Not Shown: #85 Nailer Case, #86 Included Pneumatic Oil, #87 Included Nail Assortment, #88-89 Included Hex Wrenches, #90 Piston Repair Kit, #91 Machine Label.

H7995 PARTS LIST

REF PART #	DESCRIPTION	REF PART #	DESCRIPTION		
1	PFH43M	FLAT HD SCR M6-1 X 10	47	PH7945047	MAGAZINE COVER
2	PH7945002	EXHAUST COVER	48	PH7945048	NAILER GUIDE
3	PSB53M	CAP SCREW M5-.8 X 18	49	PSB33M	CAP SCREW M5-.8 X 12
4	PH7945004	CAP	50	PH7945050	CONTACT ARM
5	PH7945005	SEAL	51	PRP96M	ROLL PIN 2 X 8
6	PH7945006	SPRING	52	PH7945052	SUPPORT PLATE
8	PH7945008	O-RING	53	PH7945053	O-RING
9	PH7945009	PISTON HEAD VALVE	56	PH7945056	CONTACT TRIP BLOCK
10	PH7945010	O-RING	57	PH7945057	ADJUSTING NUT
11	PH7945011	SEAL	58	PH7945058	ADJUSTING BOLT
12	PH7945012	O-RING	59	PH7945059	SPRING
13	PH7946013	PISTON	60	PH7945060	TRIP GUIDE
16	PH7995016	DRIVER	61	PH7945061	TRIGGER
17	PH7945017	COLLAR	62	PRP98M	ROLL PIN 3 X 16
18	PH7945018	CYLINDER	63	PH7945063	TRIGGER PLATE
19	PH7945019	O-RING	64	PH7945064	PLUNGER CAP
20	PH7945020	BUMPER	65	PH7945065	O-RING
21	PH7946021	SET PLATE	66	PH7945066	PLUNGER
22	PH7945022	GASKET	67	PH7945067	O-RING
23	PH7945023	NAILER BODY	68	PH7945068	SPRING
24	PH7945024	RUBBER GRIP	69	PH7945069	TRIGGER HEAD VALVE
25	PLN02M	LOCK NUT M5-.8	70	PH7945070	O-RING
29	PH7945029	STEPPED PIN	71	PRP97M	ROLL PIN 3 X 30
30	PH7945030	PUSHER GUIDE	72	PRP42M	ROLL PIN 3 X 20
31	PH7945031	O-RING	73	PH7945073	SLIDE SHAFT
32	PH7945032	ROLLER	75	PH7945075	O-RING
33	PFH27M	FLAT HD SCR M4-.7 X 5	76	PH7945076	O-RING
34	PH7945034	SPIRAL SPRING	77	PH7945077	O-RING
35	PH7995035	PUSHER	80	PH7945080	RUBBER LABEL
36	PSB139M	CAP SCREW M5-.8 X 22	81	PH7945081	COVER SET PLATE
37	PSB17M	CAP SCREW M4-.7 X 10	82	PH7945082	EXHAUST FILTER
38	PH7945038	NOSE COVER	83	PH7945083	SPACER
39	PSB18M	CAP SCREW M4-.7 X 8	84	PH7945084	SPACER
40	PH7995040	DRIVER GUIDE PLATE	85	PH7995085	NAILER CASE
41	PH7945041	NOSE	86	PH7945086	PNEUMATIC OIL
42	PH7945042	SPRING	87	PH7995087	NAIL ASSORTMENT
43	PH7995043	CORE TRIP	88	PAW03M	HEX WRENCH 3MM
44	PSBS24M	BUTTON HD CAP SCR M4-.7 X 10	89	PAW04M	HEX WRENCH 4MM
45	PH7945045	RUBBER PAD	90	PH7995090	PISTON REPAIR KIT
46	PH7995046	MAGAZINE	91	PH7995091	MACHINE LABEL

TROUBLESHOOTING

Symptom	Possible Cause	Solution
Air leaking at trigger valve area.	1. O-rings in trigger valve housing are damaged.	1. O-rings must be replaced.
Air leaking between housing and hose.	1. Loose screws in housing. 2. Damaged O-ring. 3. Loose air fitting.	1. Tighten screws. 2. Replace O-ring. 3. Tighten air fitting & use Teflon tape.
Air leaking between housing and cap assembly.	1. Damaged piston cylinder seal.	1. Replace damaged seal.
Tool skips nails while discharging.	1. Air leaks. 2. Dirt in nose. 3. Dirt or damage prevents nails from moving freely in magazine. 4. Inadequate air flow to tool. 5. Worn O-ring on piston or lack of lubrication. 6. Damaged O-rings on trigger valve. 7. Worn bumper. 8. Cap seal leaking.	1. Tighten screws and fittings. 2. Clean nose. 3. Clean magazine, inspect/repair damage; insert a clean strip of nails. 4. Check fitting, hose, compressor & air pressure. 5. Replace piston O-ring. Lubricate. 6. Replace trigger valve O-rings. 7. Replace bumper. 8. Replace cap seal.
Tool runs slowly or has a loss of power.	1. Nailer is not sufficiently lubricated. 2. Compressor is not supplying at least 70 PSI of air pressure to the tool. 3. Exhaust port in cap is blocked.	1. Lubricate nailer. 2. Repair or replace your compressor. 3. Clean or replace damaged internal parts.
Nails frequently jam in the nailer nose.	1. Nails are the wrong size. 2. Nails are bent or dirty. 3. Magazine or nose screws are loose. 4. Driver or driver guide are worn or damaged. 5. Nails are wrong angle.	1. Use correct nails. 2. Use undamaged, clean nails. 3. Tighten magazine. 4. Replace worn or damaged parts. 5. Use correct angle nails.
Nailer does not fire.	1. Nail is jammed in magazine or discharge area. 2. Piston shaft is damaged. 3. Air pressure too low.	1. Clear nailer magazine or discharge area. 2. Replace piston shaft. 3. Check/increase air pressure.

WARRANTY AND RETURNS

Grizzly Industrial, Inc. warrants every product it sells for a period of **1 year** to the original purchaser from the date of purchase. This warranty does not apply to defects due directly or indirectly to misuse, abuse, negligence, accidents, repairs or alterations or lack of maintenance. This is Grizzly's sole written warranty and any and all warranties that may be implied by law, including any merchantability or fitness, for any particular purpose, are hereby limited to the duration of this written warranty. We do not warrant or represent that the merchandise complies with the provisions of any law or acts unless the manufacturer so warrants. In no event shall Grizzly's liability under this warranty exceed the purchase price paid for the product and any legal actions brought against Grizzly shall be tried in the State of Washington, County of Whatcom.

We shall in no event be liable for death, injuries to persons or property or for incidental, contingent, special, or consequential damages arising from the use of our products.

To take advantage of this warranty, contact us by mail or phone and give us all the details. We will then issue you a "Return Authorization Number," which must be clearly posted on the outside as well as the inside of the carton. We will not accept any item back without this number. Proof of purchase must accompany the merchandise.

The manufacturers reserve the right to change specifications at any time because they constantly strive to achieve better quality equipment. We make every effort to ensure that our products meet high quality and durability standards and we hope you never need to use this warranty.

Please feel free to write or call us if you have any questions about the machine or the manual.

Grizzly Industrial, Inc.
1203 Lycoming Mall Circle
Muncy, PA 17756
Phone: (570) 546-9663
Fax: (800) 438-5901

E-Mail:
techsupport@grizzly.com

Web Site: <http://www.grizzly.com>

Thank you again for your business and continued support. We hope to serve you again soon!



WARRANTY CARD

Name _____

Street _____

City _____ State _____ Zip _____

Phone # _____ Email _____ Invoice # _____

Model # _____ Order # _____ Serial # _____

*The following information is given on a voluntary basis. It will be used for marketing purposes to help us develop better products and services. **All information is strictly confidential.***

1. How did you learn about us?

Advertisement Friend Catalog
 Card Deck Website Other: _____

2. Which of the following magazines do you subscribe to?

Cabinet Maker Popular Mechanics Today's Homeowner
 Family Handyman Popular Science Wood
 Hand Loader Popular Woodworking Wooden Boat
 Handy Practical Homeowner Woodshop News
 Home Shop Machinist Precision Shooter Woodsmith
 Journal of Light Cont. Projects in Metal Woodwork
 Live Steam RC Modeler Woodworker West
 Model Airplane News Rifle Woodworker's Journal
 Modeltec Shop Notes Other:
 Old House Journal Shotgun News

3. What is your annual household income?

\$20,000-\$29,000 \$30,000-\$39,000 \$40,000-\$49,000
 \$50,000-\$59,000 \$60,000-\$69,000 \$70,000+

4. What is your age group?

20-29 30-39 40-49
 50-59 60-69 70+

5. How long have you been a woodworker/metalworker?

0-2 Years 2-8 Years 8-20 Years 20+ Years

6. How many of your machines or tools are Grizzly?

0-2 3-5 6-9 10+

7. Do you think your machine represents a good value? Yes No

8. Would you recommend Grizzly Industrial to a friend? Yes No

9. Would you allow us to use your name as a reference for our customers in your area?

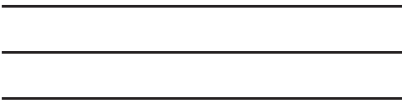
Note: *We never use names more than 3 times.* Yes No

10. Comments: _____

Send a Grizzly Catalog to a friend:

Name _____
Street _____
City _____ State _____ Zip _____

FOLD ALONG DOTTED LINE



Place
Stamp
Here



GRIZZLY INDUSTRIAL, INC.
P.O. BOX 2069
BELLINGHAM, WA 98227-2069



TAPE ALONG EDGES--PLEASE DO NOT STAPLE

Free Manuals Download Website

<http://myh66.com>

<http://usermanuals.us>

<http://www.somanuals.com>

<http://www.4manuals.cc>

<http://www.manual-lib.com>

<http://www.404manual.com>

<http://www.luxmanual.com>

<http://aubethermostatmanual.com>

Golf course search by state

<http://golfingnear.com>

Email search by domain

<http://emailbydomain.com>

Auto manuals search

<http://auto.somanuals.com>

TV manuals search

<http://tv.somanuals.com>