

# *Grizzly* Industrial, Inc.®

## 21° ROUND HEAD FRAMING NAILER

MODEL H7665

## INSTRUCTION MANUAL



COPYRIGHT © JULY, 2005 BY GRIZZLY INDUSTRIAL, INC. REVISED DECEMBER, 2007 (TS)  
**WARNING: NO PORTION OF THIS MANUAL MAY BE REPRODUCED IN ANY SHAPE  
OR FORM WITHOUT THE WRITTEN APPROVAL OF GRIZZLY INDUSTRIAL, INC.**  
#TR7353 PRINTED IN CHINA

# SAFETY

## **WARNING**

### **For Your Own Safety Read Instruction Manual Before Operating This Equipment**

The purpose of safety symbols is to attract your attention to possible hazardous conditions. This manual uses a series of symbols and signal words which are intended to convey the level of importance of the safety messages. The progression of symbols is described below. Remember that safety messages by themselves do not eliminate danger and are not a substitute for proper accident prevention measures.



Indicates an imminently hazardous situation which, if not avoided, WILL result in death or serious injury.



Indicates a potentially hazardous situation which, if not avoided, COULD result in death or serious injury.



Indicates a potentially hazardous situation which, if not avoided, MAY result in minor or moderate injury. It may also be used to alert against unsafe practices.

**NOTICE**

This symbol is used to alert the user to useful information about proper operation of the equipment.

## **WARNING**

### **Safety Instructions For Pneumatic Tools**

- KEEP ALL SAFETY DEVICES IN PLACE** and in working order.
- REMOVE ADJUSTING KEYS AND WRENCHES.** Form habit of checking to see that keys and adjusting wrenches are removed from tool before operation.
- KEEP WORK AREA CLEAN.** Cluttered areas and benches invite accidents.
- DO NOT USE IN DANGEROUS ENVIRONMENT.** Do not use pneumatic tools in damp or wet locations, or where any flammable or noxious fumes may exist. Keep work area well lighted.
- KEEP CHILDREN AND VISITORS AWAY.** All children and visitors should be kept at a safe distance from work area.
- MAKE WORKSHOP CHILD PROOF** by locking your shop and shutting off air valves.
- DO NOT FORCE TOOL.** It will do the job better and safer at the rate for which it was designed.
- USE THE RIGHT TOOL.** Do not force tool or attachment to do a job for which it was not designed.
- DO NOT USE UNDER THE INFLUENCE OF DRUGS OR ALCOHOL.**

# WARNING

## Safety Instructions For Pneumatic Tools

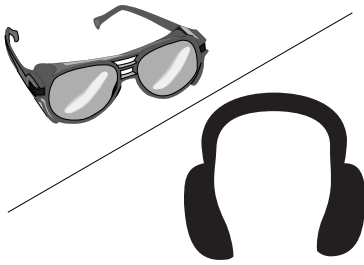
10. **USE PROPER AIR HOSE** for the tool. Make sure your air hose is in good condition and is long enough to reach your work without stretching.
11. **WEAR PROPER APPAREL.** Do not wear loose clothing, gloves, neckties, rings, bracelets, or other jewelry which may get caught in moving parts. Non-slip footwear is recommended. Wear a protective hair covering to contain long hair.
12. **ALWAYS USE ANSI APPROVED SAFETY GLASSES.** Also use a face or dust mask if cutting operation is dusty. Everyday eyeglasses only have impact resistant lenses, they are NOT safety glasses.
13. **ALWAYS WEAR ANSI APPROVED HEARING PROTECTION.**
14. **SECURE WORK.** Use clamps or a vise to hold work when practical. It is safer than using your hand and frees both hands to operate tool.
15. **MAINTAIN TOOLS WITH CARE.** Keep tools lubricated and clean for best and safest performance. Follow instructions for lubricating and changing accessories.
16. **REDUCE THE RISK OF UNINTENTIONAL STARTING.** Do not carry tool with hand on trigger and always disconnect from air when not in use.
17. **DISCONNECT TOOLS** before servicing, changing accessories, or moving to another location.
18. **DO NOT OVERREACH.** Keep proper footing and balance at all times.
19. **USE THE RECOMMENDED ACCESSORIES.** Consult owner's manual for recommended accessories. The use of improper accessories may cause risk of injury.
20. **CHECK FOR DAMAGED PARTS BEFORE USING.** Check for binding and alignment of parts, broken parts, part mounting, loose bolts, and any other conditions that may affect machine operation. Repair or replace damaged parts.
21. **NEVER LEAVE UNATTENDED TOOL CONNECTED TO AIR.** Disconnect the air hose and do not leave tool until it is relieved of any built up pressure.
22. **NEVER ALLOW UNTRAINED USERS TO USE THIS TOOL WHILE UNSUPERVISED.**
23. **IF YOU ARE UNSURE OF THE INTENDED OPERATION, STOP USING THE TOOL.** Seek formal training or research books or magazines that specialize in pneumatic tools.

# WARNING

## Additional Safety Instructions for Nailers

- 1. HAND INJURIES:** Do not place your hands near the nail point of entry. A nail can deflect and tear through the surface of the workpiece, puncturing your hand or fingers.
- 2. COMBUSTIBLE GASES:** Never connect the nailer to pressurized oxygen or other combustible gases as a power source. Only use filtered, lubricated, and regulated compressed air.
- 3. SAFE HANDLING:** Never point the nailer at others! Do not keep the trigger pulled when loading fasteners, carrying, or holding tool. Carry the nailer only by the handle, never by any other part. Do not carry the nailer by the air hose. Disconnect the nailer from the air hose when going up and down ladders.
- 4. CLEANING:** Never use gasoline or other flammable liquids to clean the nailer; vapors in the nailer will ignite by a spark and cause it to explode.
- 5. HOSE:** Make sure your air hose is designed for the tool in use, is in good condition, and is long enough to reach your work without stretching. However, an overly long air hose in the work area may be a tripping hazard.
- 6. OPERATING QUESTIONS:** If you are not sure about the intended operation, stop using the nailer. Seek formal training or research sources that specialize in pneumatic tools.
- 7. MAINTENANCE:** Always disconnect air from the nailer when servicing or installing nails. During maintenance, a nailer connected to air may fire accidentally, causing serious personal injury.
- 8. COMPRESSED AIR RATING:** Do not connect the nailer to compressed air that exceeds 120 PSI.
- 9. CHECK VALVE:** Do not use a check valve or any other fitting that allows air to remain in the tool.

## **!WARNING**



Operating this nailer can propel objects into the air, causing immediate eye damage. To protect yourself, always wear American National Standards Institute (ANSI) approved safety glasses or goggles when operating this equipment. In addition, this nailer discharges at up to 90 decibels. To protect your hearing, always wear ANSI approved ear protection when operating this nailer.

## **!WARNING**

Never point this nailer at yourself or another person! Always pay attention to the direction this nailer is pointed. Use this tool with respect and caution to lessen the possibility of operator or bystander injury. Ignoring this warning may result in serious personal injury.

## **!CAUTION**

Nailer/stapler accidents routinely happen while moving the gun to another location, such as up ladders, to another room, or even another job site. Always disconnect the gun immediately after use and never transport the gun while connected to the air—even if the air compressor is disconnected from its power source!

## **!CAUTION**

No list of safety guidelines can be complete. Every shop environment is different. Always consider safety first, as it applies to your individual working conditions. Use this and other tools with caution and respect. Failure to do so could result in serious personal injury, damage to equipment or poor work results.

# INTRODUCTION

## Foreword

We are proud to offer the Grizzly Model H7665 21° Round Head Framing Nailer. This model is part of a growing Grizzly family of fine pneumatic tools. When used according to the guidelines set forth in this manual, you can expect years of trouble-free, enjoyable operation and proof of Grizzly's commitment to customer satisfaction.

The Model H7665 features a 360° exhaust port, comfort grip rubber handle, and economical air consumption.

The specifications, details, and photographs in this manual represent the Model H7665 as supplied when the manual was prepared. However, owing to Grizzly's policy of continuous improvement, changes may be made at any time with no obligation on the part of Grizzly.

## Specifications

Nail Type .....	Roundhead
Nail Angle .....	21°
Nail Diameter .....	0.113"
Nail Length .....	2"-3½"
Magazine Capacity .....	75 Nails
Air Inlet .....	¼" NPT
Weight .....	8.4 lbs.
Operating Pressure .....	60-100 PSI

## Contact Info

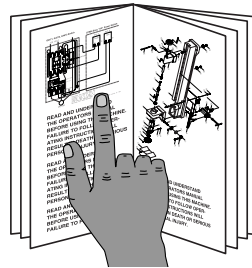
If you have any comments regarding this manual, please write to us at the following address:

Grizzly Industrial, Inc.  
C/O Technical Documentation Manager  
P.O. Box 2069  
Bellingham, WA 98227-2069

Most importantly, we stand behind our tools. If you have any service questions or parts requests, please call or write us at the location listed below.

Grizzly Industrial, Inc.  
1203 Lycoming Mall Circle  
Muncy, PA 17756  
Phone: (570) 546-9663  
Fax: (800) 438-5901  
E-Mail: [techsupport@grizzly.com](mailto:techsupport@grizzly.com)  
Web Site: <http://www.grizzly.com>

## ! WARNING



**Read the manual before operation. Become familiar with this nailer, its safety instructions, and its operation before beginning any work. Serious personal injury may result if safety or operational information is not understood or followed.**

# SET UP

## Unpacking

Your Model H7665 left our warehouse in a carefully packed box. If you discover the nailer is damaged after you have signed for delivery, *please immediately call Customer Service at (570) 546-9663 for advice.*

Save the containers and all packing materials for possible inspection by the carrier or its agent. *Otherwise, filing a freight claim can be difficult.*

When you are completely satisfied with the condition of the shipment, you should inventory the equipment.

## Inventory

After you open the nailer box, you should find the following.

### Model H7665 Inventory (Figure 1)

- A. Nailer..... 1
- B. Safety Goggles ..... 1
- C. Pneumatic Tool Oil ..... 1
- D. Hex Wrenches 3, 4, 5, 6mm..... 1 Each
- E. Carrying Case..... 1

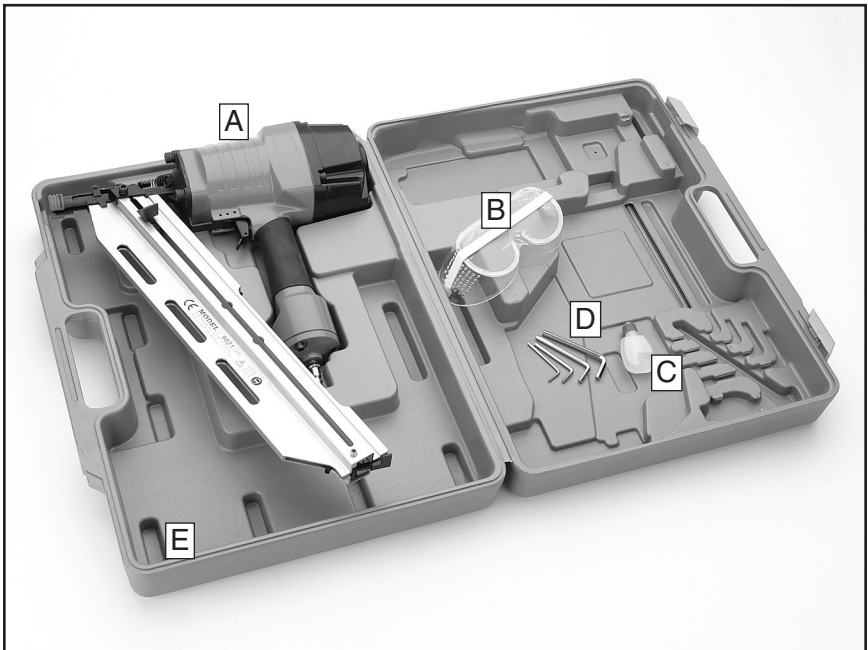


Figure 1. Model H7665 inventory.

# Compressed Air System

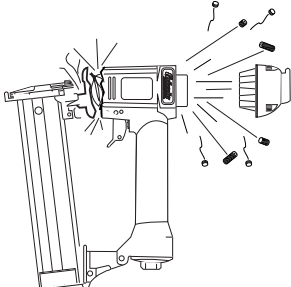
The Model H7665 is designed to be operated at 60–100 PSI using clean, dry, regulated, compressed air. **DO NOT exceed the 120 PSI maximum operating pressure for your model.**

Before using your new nailer, regulate the air pressure on your air compressor to the minimum PSI for your model.

An in-line filter/lubricator/regulator unit, depicted in **Figure 2**, can be installed and should be located as close to the nailer as possible.

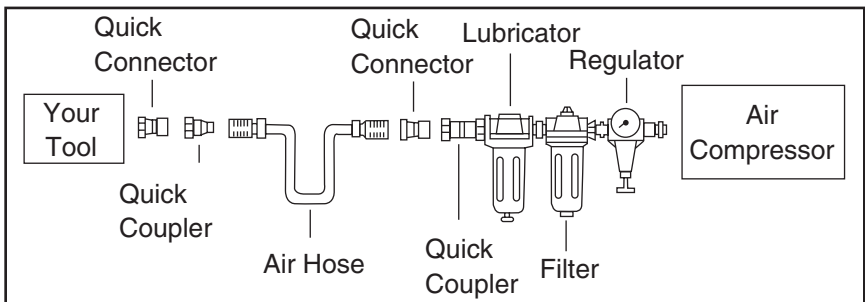
This filter/lubricator/regulator unit will protect your tool from damaging water build-up, allow you to adjust and maintain constant air pressure to your tool, and save you the inconvenience of having to manually lubricate your tool every time you use it.

## ⚠ WARNING



**Exceeding the maximum permissible operating pressure may cause the nailer to explode, blowing metal fragments in all directions. To protect yourself from serious personal injury, DO NOT allow your air compressor to exceed the recommended pressure when connected to this nailer!**

Check the current Grizzly catalog for availability of this unit. If you plan on installing a filter/lubricator/regulator unit in your compressed air system, always follow the connection instructions that come with the unit.



**Figure 2.** Typical filter/lubricator/regulator installation order.



# Testing the Safety Nose Mechanism

---

A safety mechanism on the nose of the nailer protects against accidental firing. When the trigger is pressed, the nailer will not fire until the safety nose mechanism is depressed.

Before you use your nailer for the first time, check the safety nose mechanism to ensure proper function.

**To verify that the safety nose is working correctly:**

- 1. DISCONNECT NAILER FROM THE AIR SUPPLY!**
2. Make sure the magazine is empty and contains no nails.
3. Make sure the trigger and the safety nose mechanism move up and down without sticking.
4. Connect the nailer to the air supply.

## **WARNING**

**The safety mechanism is a mechanical device that can fail. Never rely on this mechanism as an excuse to point the nailer at yourself or any bystanders. Serious injury may occur.**

- 5. Without pressing the trigger**, depress the safety nose mechanism against a scrap piece of wood that is clean and free of any knots, nails, or other foreign objects.
  - If the nailer does not fire, then the safety nose mechanism is working correctly.
  - If the nailer **does fire** when you do this, immediately disconnect the nailer from the air supply and call Grizzly Technical Support at (570) 546-9663 for help.
- 6. Without depressing the safety nose against a scrap piece of wood**, point the nailer in a safe direction, and pull the trigger.
  - If the nailer does not fire, then the safety nose mechanism is working correctly.
  - If the nailer **does fire** when the trigger is pulled, without the safety nose mechanism being depressed, then the nailer is not working properly, call Grizzly Technical Support at (570) 546-9663 for help.

# OPERATIONS

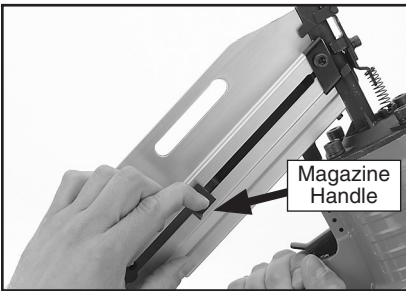
## Loading

When replacing nails in your Model H7665, follow these guidelines:

Type: Round Head  
Angle: 21°  
Diameter: 0.113"  
Length: 2"-3½"  
Capacity: 75

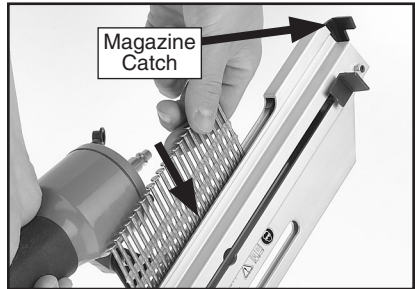
To load your nailer:

1. **DISCONNECT NAILER FROM THE AIR SUPPLY!**
2. Slide the magazine back, as shown in **Figure 3**, until it locks in place.



**Figure 3.** Sliding magazine back and engaging the catch.

3. Insert a strip of nails, pointed-end down, into the magazine as shown in **Figure 4**.



**Figure 4.** Loading nails into magazine.

4. Slide the nails all the way down to the nose of the nailer.
5. With one hand on the magazine handle for control, release the magazine catch and slowly allow the magazine to press against the nails. **Note:** *Releasing the magazine catch and allowing it to "snap" in position is hard on the nailer.*

# Operating

---

**If you have not read the safety instructions in this manual, do not operate the nailer.**

Before you operate your nailer, place five to six drops of the included oil into the quick connect fitting where the nailer connects to the air supply.

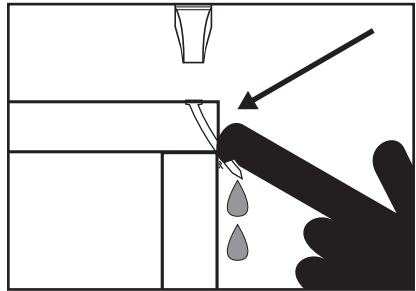
## To operate your nailer:

1. Connect the air supply to the quick connect fitting.
2. To test for proper nail penetration, hold the nailer perpendicular to the surface of a piece of clean scrap wood that is thick enough for the length of nails you have loaded.
3. Depress the safety nose mechanism against your workpiece.

4. Before pulling the trigger, make sure your free hand and other body parts are positioned out of the way of a potential path of a nail in case of deflection.

Deflection is caused when grain irregularities, knots or foreign objects inside the wood cause the nail to change its path, resulting in the nail puncturing the surface of the workpiece, as shown in **Figure 5**.

Besides damaging your workpiece, deflection can cause injury if your free hand is securing the workpiece in the location that the nail deflects.



**Figure 5.** Example of nail deflection.

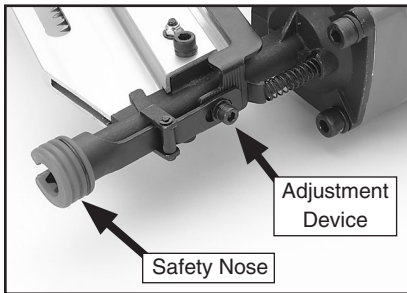
5. Pull the trigger.
  - If the nail drove into the wood far enough, continue with your intended operations.
  - If the nail either went too far or not far enough, then go to the **Adjusting Depth** subsection on the next page.

## Adjusting Depth

A depth adjustment device is attached to the nose for setting the nail depth.

**To adjust the depth:**

1. **DISCONNECT NAILER FROM THE AIR SUPPLY!**
2. Loosen the cap screw on the depth adjustment device (**Figure 6**), and move the safety nose backward to increase the nail depth or forward to decrease the nail depth.



**Figure 6.** Depth adjustment controls.

3. Connect nailer to the air supply, test the nail depth, and repeat this entire procedure if necessary until the nail depth is satisfactory.

## Clearing Jammed Nails

A jammed nail must be cleared before using the nailer again.

**To clear a jammed nail from the discharge area:**

1. **DISCONNECT NAILER FROM THE AIR SUPPLY!**
2. Pull the magazine handle all the way back until it latches.
3. Remove the nail stick from the magazine.
4. Locate the opening in the underside of the nailer nose (**Figure 7**).
5. Dislodge the jammed nail with a tool that will fit in the slot on the underside of the nose, such as needle nose pliers.
6. Throw the damaged nail away and insert a new nail stick that only contains clean, undamaged nails. DO NOT use dirty or damaged nails!



**Figure 7.** Nose opening for clearing jams.

# Replacing Pistons/O-Rings

If you use your nailer day in and day out, repair pistons are cheap insurance against wasted down time and lost profits, in the event that a piston or piston shaft becomes worn out.

**The piston repair kit part number for the Model H7665 is #PH7665095.** For your convenience, refer to the parts breakdown during this procedure to identify parts and their locations inside the nailer.



## To replace a piston and O-ring(s):

- 1. DISCONNECT NAILER FROM THE AIR SUPPLY!**
2. Remove all nails from the magazine cartridge.
3. Remove the four cap screws on the head of the nailer, near the exhaust port, and remove the cylinder cover.
4. The top of the piston should now be visible inside the cylinder, which is housed in the head of the nailer.
5. Open the nose cover as if to clear a jammed nail.
6. Watch the discharge area and push the top of the piston with your finger. You will see the piston shaft slide down the discharge area.
7. With a long flathead screwdriver or similarly shaped tool, push the piston shaft back inside the nailer until you can grip the piston head and remove it from the cylinder. (Be careful not to scratch the discharge area when pushing the piston shaft with the screwdriver.)
8. Place a new O-ring on the new piston and apply a thin film of the nailer lubricating oil on the O-ring.
9. Insert the new piston in the cylinder. Make sure that the grooves on the piston shaft line up with those on the guide at the bottom of the cylinder. The new piston should easily slide into the cylinder. **DO NOT force the piston into the cylinder!** If the piston is not easily inserted, double-check the alignment of the piston shaft with the grooves on the guide.
10. After the piston is inserted correctly, close the magazine. Replace the rear cap assembly and tighten the 4 cap screws.
11. For more assistance, or to install a complete O-ring set, refer to the appropriate breakdown diagram in the back of this manual for component locations.

# CLEANING & LUBRICATION

## Cleaning

Use a good solvent to clean the nose assembly of the nailer. Always be sure that the nailer is dry before using it again.

Do not allow dust, chips, sand, etc. into the air connectors or into the body of the nailer; this may result in leaks and damage to the nailer and the air couplings.

### **WARNING**



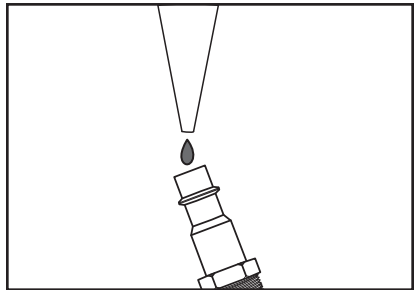
**Never use gasoline or other flammable liquids to clean this tool. Vapors in the tool may ignite, causing the tool to explode. Ignoring this warning may lead to serious personal injury or even death!**

## Lubricating

Special pneumatic tool oil has been included with your new Grizzly nailer to help maintain its useful life. Place two to six drops of oil in the nailer air inlet (as shown in **Figure 8**) every 2 hours of continuous use.

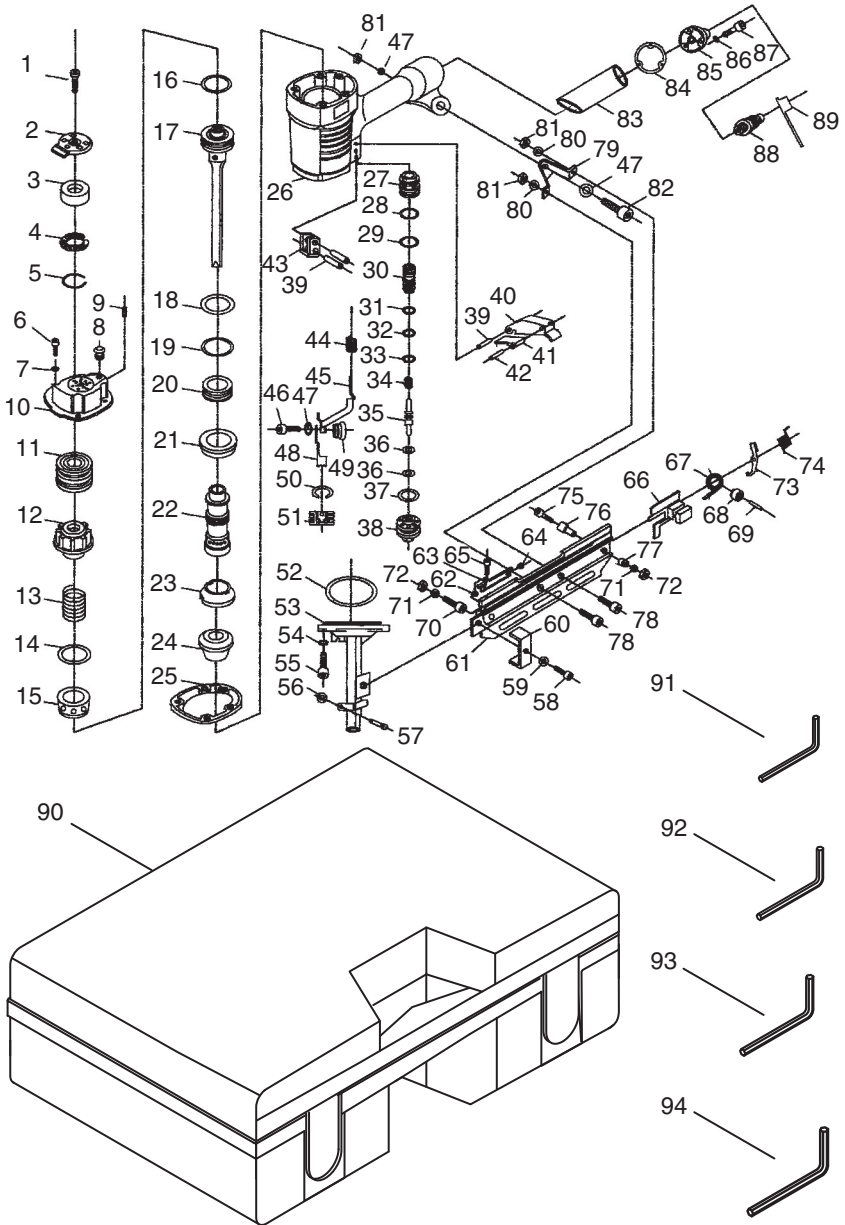
Wipe off any excess oil near the nailer exhaust to avoid dust build-up. When the oil that was included with the nailer has been completely used, replace with Grizzly Model G2820 Pneumatic Tool Oil.

Another option to manual oiling would be to simply install a lubricator in your air compressor line. If your air compressor line already has a lubricator, then regular lubrication of your nailer will not be necessary. Just make sure there is always oil in the lubricator.



**Figure 8.** Lubricating nailer via air inlet.

# H7665 PARTS BREAKDOWN



# H7665 PARTS LIST

REF	PART #	DESCRIPTION
1	PSB11M	CAP SCREW M8-1.25 X 16
2	PH7665002	AIR DEFLECTOR
3	PH7665003	DEFLECTOR RUBBER
4	PH7665004	COMPRESSION SPRING
5	PH7665005	SPRING WIRE
6	PSB06M	CAP SCREW M6-1 X 25
7	PLW03M	LOCK WASHER 6MM
8	PH7665008	CYLINDER CORE
9	P04510421	CAP SCREW M5-.8 X 5
10	PH7665010	CYLINDER COVER
11	PH7665011	HEAD VALVE PISTON
12	PH7665012	SPRING SEAT
13	PH7665013	COMPRESSION SPRING
14	PH7665014	SPRING WASHER
15	PH7665015	COLLAR
16	PH7665016	O-RING 42.3 X 5
17	PH7665017	MAIN PISTON
18	PH7665018	O-RING 57.5 X 3
19	PH7665019	O-RING 88 X 3
20	PH7665020	FIXED RING
21	PH7665021	SEALING RING
22	PH7665022	CYLINDER
23	PH7665023	BUMPER OUTER LANE
24	PH7665024	BUMPER
25	PH7665025	CYLINDER WASHER
26	PH7665026	GUN BODY
27	PH7665027	TRIGGER VALVE SEAT
28	PH7665028	O-RING 15 X 2.65
29	PH7665029	O-RING 17 X 1.5
30	PH7665030	TRIGGER VALVE GUIDE
31	PH7665031	O-RING 6.2 X 1.8
32	PH7665032	O-RING 6.4 X 2
33	PH7665033	O-RING 9 X 1.8
34	PH7665034	SWITCH SPRING
35	PH7665035	SWITCH PIPE
36	PH7665036	O-RING 2.5 X 1.5
37	PH7665037	O-RING 20.3 X 2.3
38	PH7665038	SWITCH SEAT
39	PRP16M	ROLL PIN 3 X 25
40	PH7665040	TRIGGER
41	PH7665041	SAFETY SPACER
42	PRP02M	ROLL PIN 3 X 16
43	PH7665043	SAFETY GUIDE
44	PH7665044	COMPRESSION SPRING
45	PH7665045	SAFETY YOKE
46	PSB03M	CAP SCREW M5-.8 X 8
47	PW02M	FLAT WASHER 5MM
48	PH7665048	SAFETY NOSE

REF	PART #	DESCRIPTION
49	PH7665049	DEPTH ADJUSTMENT NUT
50	PH7665050	COPPER COLLAR
51	PH7665051	SAFETY NOSE CASE
52	PH7665052	O-RING 61.5 X 1.8
53	PH7665053	DRIVE GUIDE
54	PLW04M	LOCK WASHER 8MM
55	PSB13M	CAP SCREW M8-1.25 X 30
56	PEC16M	E-CLIP 2.5MM
57	PH7665057	PIN
58	PSB26M	CAP SCREW M6-1 X 12
59	PW03M	FLAT WASHER 6MM
60	PH7665060	PLATE
61	PH7665061	MAGAZINE
62	PH7665062	WASHER CASE
63	PH7665063	DRIVE NAIL BAR
64	PH7665064	SPACER
65	PSB125M	CAP SCREW M3-.5 X 5
66	PH7665066	PUSHER
67	PH7665067	TORSION SPRING
68	PH7665068	SPRING CORE
69	PH7665069	PIN B4 X 25
70	PSB17M	CAP SCREW M4-.7 X 10
71	PW05M	FLAT WASHER 4MM
72	PN04M	HEX NUT M4-.7
73	PH7665073	RELEASE LATCH
74	PH7665074	LATCH SPRING
75	PSB140M	CAP SCREW M4-.7 X 45
76	PH7665076	SAFETY PIPE
77	PH7665077	SAFETY PIPE CASE
78	PSB20M	CAP SCREW M5-.8 X 14
79	PH7665079	FIXED SEAT
80	PW02M	FLAT WASHER 5MM
81	PN06M	HEX NUT M5-.8
82	PSB38M	CAP SCREW M5-.8 X 25
83	PH7665083	RUBBER HANDLE CASE
84	PH7665084	END CAP WASHER
85	PH7665085	END CAP
86	PW02M	FLAT WASHER 5MM
87	PSB15M	CAP SCREW M5-.8 X 20
88	PH7665088	AIR PLUG 1/4" NPT MALE
89	PH7665089	AIR PLUG DUST CAP
90	PH7665090	CARRYING CASE
91	PAW03M	HEX WRENCH 3MM
92	PAW04M	HEX WRENCH 4MM
93	PAW05M	HEX WRENCH 5MM
94	PAW06M	HEX WRENCH 6MM
95	PH7665095	PISTON REPAIR KIT*

\* ITEM NOT SHOWN ON BREAKDOWN



# TROUBLESHOOTING

Symptom	Possible Cause	Solution
Air leaking at trigger valve area.	1. O-rings in trigger valve housing are damaged.	1. O-rings must be replaced & operation of safety nose must be checked.
Air leaking between housing and hose.	1. Loose screws in housing. 2. Damaged O-ring. 3. Loose air fitting.	1. Tighten screws. 2. Replace O-ring. 3. Tighten air fitting & use teflon tape.
Air leaking between housing and cap assembly.	1. Damaged seal.	1. Replace damaged seals.
Tool skips nails while discharging.	1. Air leaks. 2. Dirt in nose. 3. Dirt or damage prevents nails from moving freely in magazine. 4. Inadequate air flow to tool.  5. Worn O-ring on piston or lack of lubrication. 6. Damaged O-rings on trigger valve. 7. Worn bumper. 8. Cap seal leaking.	1. Tighten screws and fittings. 2. Clean nose. 3. Clean magazine and inspect/repair damage.  4. Check fitting, hose, compressor & air pressure. 5. Replace piston O-ring. Lubricate. 6. Replace trigger valve O-rings. 7. Replace bumper. 8. Replace cap seal.
Tool runs slowly or has a loss of power.	1. Nailer is not sufficiently lubricated. 2. Broken spring in cap assembly. 3. Exhaust port in cap is blocked.	1. Lubricate nailer.  2. Replace spring.  3. Clean or replace damaged internal parts.
Fasteners frequently jam the nailer.	1. Nails are the wrong size. 2. Nails are bent or dirty.  3. Magazine or nose screws are loose. 4. Driver or driver guide are worn or damaged. 5. Nails are wrong angle.	1. Use correct nails. 2. Use undamaged, clean nails. 3. Tighten magazine.  4. Replace worn or damaged parts. 5. Use correct angle nails.
Nailer does not fire.	1. Nail is jammed in magazine or discharge area. 2. Piston shaft is damaged. 3. Air pressure too low.	1. Clear nailer magazine or discharge area. 2. Replace piston shaft. 3. Check/increase air pressure.

# WARRANTY AND RETURNS

---

Grizzly Industrial, Inc. warrants every product it sells for a period of **1 year** to the original purchaser from the date of purchase. This warranty does not apply to defects due directly or indirectly to misuse, abuse, negligence, accidents, repairs or alterations or lack of maintenance. This is Grizzly's sole written warranty and any and all warranties that may be implied by law, including any merchantability or fitness, for any particular purpose, are hereby limited to the duration of this written warranty. We do not warrant or represent that the merchandise complies with the provisions of any law or acts unless the manufacturer so warrants. In no event shall Grizzly's liability under this warranty exceed the purchase price paid for the product and any legal actions brought against Grizzly shall be tried in the State of Washington, County of Whatcom.

We shall in no event be liable for death, injuries to persons or property or for incidental, contingent, special, or consequential damages arising from the use of our products.

To take advantage of this warranty, contact us by mail or phone and give us all the details. We will then issue you a "Return Authorization Number," which must be clearly posted on the outside as well as the inside of the carton. We will not accept any item back without this number. Proof of purchase must accompany the merchandise.

The manufacturers reserve the right to change specifications at any time because they constantly strive to achieve better quality equipment. We make every effort to ensure that our products meet high quality and durability standards and we hope you never need to use this warranty.

Please feel free to write or call us if you have any questions about the machine or the manual.

**Grizzly Industrial, Inc.**  
**1203 Lycoming Mall Circle**  
**Muncy, PA 17756**  
**Phone: (570) 546-9663**  
**Fax: (800) 438-5901**

**E-Mail:**  
**techsupport@grizzly.com**

**Web Site: <http://www.grizzly.com>**

Thank you again for your business and continued support. We hope to serve you again soon!



# WARRANTY CARD

Name \_\_\_\_\_

Street \_\_\_\_\_

City \_\_\_\_\_ State \_\_\_\_\_ Zip \_\_\_\_\_

Phone # \_\_\_\_\_ Email \_\_\_\_\_ Invoice # \_\_\_\_\_

Model # \_\_\_\_\_ Order # \_\_\_\_\_ Serial # \_\_\_\_\_

*The following information is given on a voluntary basis. It will be used for marketing purposes to help us develop better products and services. **All information is strictly confidential.***

**1. How did you learn about us?**

Advertisement     Friend     Catalog  
 Card Deck     Website    Other: \_\_\_\_\_

**2. Which of the following magazines do you subscribe to?**

Cabinet Maker     Popular Mechanics     Today's Homeowner  
 Family Handyman     Popular Science     Wood  
 Hand Loader     Popular Woodworking     Wooden Boat  
 Handy     Practical Homeowner     Woodshop News  
 Home Shop Machinist     Precision Shooter     Woodsmith  
 Journal of Light Cont.     Projects in Metal     Woodwork  
 Live Steam     RC Modeler     Woodworker West  
 Model Airplane News     Rifle     Woodworker's Journal  
 Modeltec     Shop Notes     Other:  
 Old House Journal     Shotgun News

**3. What is your annual household income?**

\$20,000-\$29,000     \$30,000-\$39,000     \$40,000-\$49,000  
 \$50,000-\$59,000     \$60,000-\$69,000     \$70,000+

**4. What is your age group?**

20-29     30-39     40-49  
 50-59     60-69     70+

**5. How long have you been a woodworker/metalworker?**

0-2 Years     2-8 Years     8-20 Years     20+ Years

**6. How many of your machines or tools are Grizzly?**

0-2     3-5     6-9     10+

**7. Do you think your machine represents a good value?**     Yes     No

**8. Would you recommend Grizzly Industrial to a friend?**     Yes     No

**9. Would you allow us to use your name as a reference for our customers in your area?**

Note: *We never use names more than 3 times.*     Yes     No

**10. Comments:** \_\_\_\_\_

\_\_\_\_\_

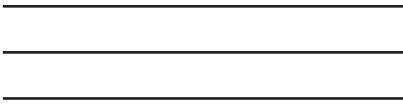
\_\_\_\_\_

\_\_\_\_\_

Send a Grizzly Catalog to a friend:

Name _____
Street _____
City _____ State _____ Zip _____

FOLD ALONG DOTTED LINE



Place  
Stamp  
Here



GRIZZLY INDUSTRIAL, INC.  
P.O. BOX 2069  
BELLINGHAM, WA 98227-2069



TAPE ALONG EDGES--PLEASE DO NOT STAPLE

## Free Manuals Download Website

<http://myh66.com>

<http://usermanuals.us>

<http://www.somanuals.com>

<http://www.4manuals.cc>

<http://www.manual-lib.com>

<http://www.404manual.com>

<http://www.luxmanual.com>

<http://aubethermostatmanual.com>

Golf course search by state

<http://golfingnear.com>

Email search by domain

<http://emailbydomain.com>

Auto manuals search

<http://auto.somanuals.com>

TV manuals search

<http://tv.somanuals.com>