



MODEL T10042 26" LAWN SWEEPER INSTRUCTION SHEET

⚠ CAUTION

To reduce the risk of injury from using this product:

- Do not allow anyone to operate the sweeper without proper training.
- Do not allow children to use the sweeper.
- Always wear proper eye protection when using the sweeper.
- If an object becomes lodged in the sweeper, do not attempt to remove it while the sweeper brush is moving.
- Keep all hardware tightened to be sure the sweeper is in safe working order.
- Thoroughly inspect the sweeper for damage after striking any foreign objects.

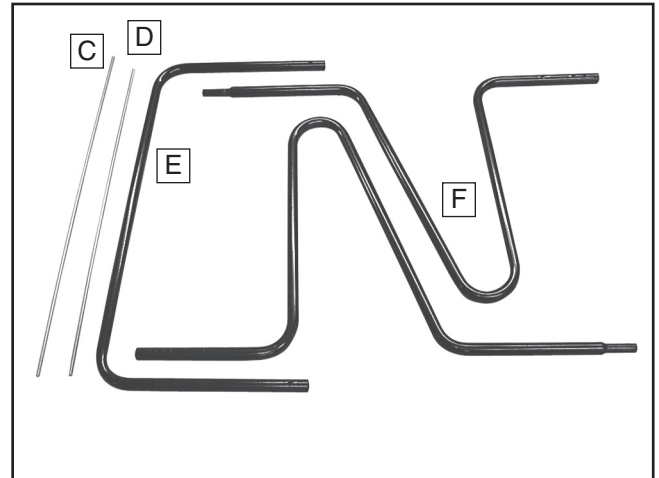


Figure 1. Inventory 1.

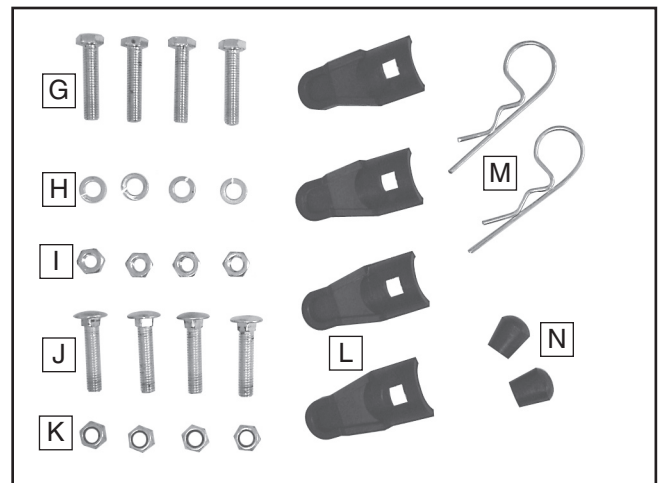


Figure 2. Inventory 2.

Inventory (Figures 1 and 2)

A.	Sweeper Assembly (not shown).....	1
B.	Leaf Bag (not shown).....	1
C.	Long Bag Rod (27¼")	1
D.	Short Bag Rod (25½")	1
E.	Frame Handle.....	1
F.	Frame Legs	2
G.	Hex Bolts M6-1 x 30.....	4
H.	Lock Washers 6mm	4
I.	Hex Nuts M6-1	4
J.	Carriage Bolts M6-1 x 30	4
K.	Lock Nuts M6-1	4
L.	Bag Clips.....	4
M.	Hairpin Cotter Pins	2
N.	Rubber Caps	2

COPYRIGHT © NOVEMBER, 2007 BY GRIZZLY INDUSTRIAL, INC.

WARNING: NO PORTION OF THIS MANUAL MAY BE REPRODUCED IN ANY SHAPE OR FORM WITHOUT THE WRITTEN APPROVAL OF GRIZZLY INDUSTRIAL, INC.

#JB10062 PRINTED IN CHINA

Assembly

1. Assemble and attach the frame to the sweeper assembly as shown in **Figure 3**. Refer to **Figure 2** for hardware identification.

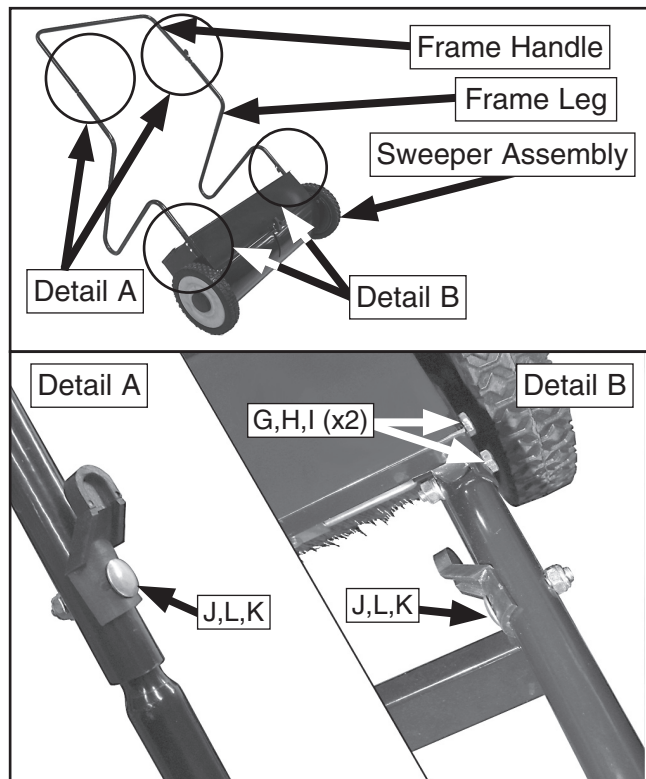


Figure 3. Frame assembly.

2. Slide the long bag rod into the upper leaf bag pocket and slide the short bag rod into the lower leaf bag pocket. Hook the long bag rod into the two upper bag clips, as shown in **Figure 4**.



Figure 4. Bag assembly.

3. Secure the long bag rod using the hairpin cotter pins, as shown in **Figure 5**.

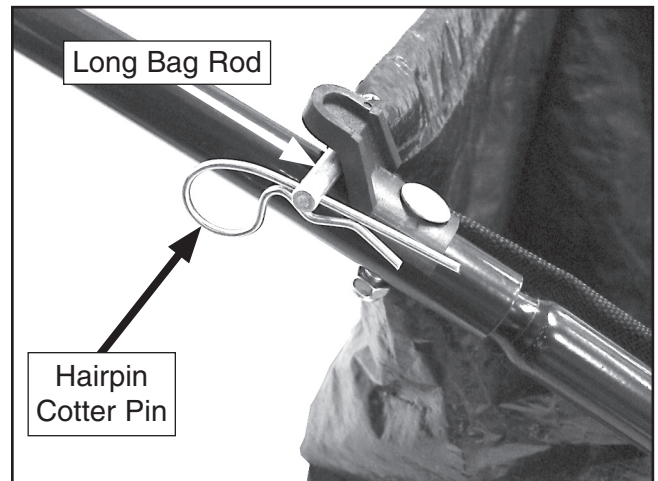


Figure 5. Securing long bag rod.

4. Attach the rubber caps to the end of the short bag rod and insert the rod into the slot in the sweeper assembly, as shown in **Figure 6**.

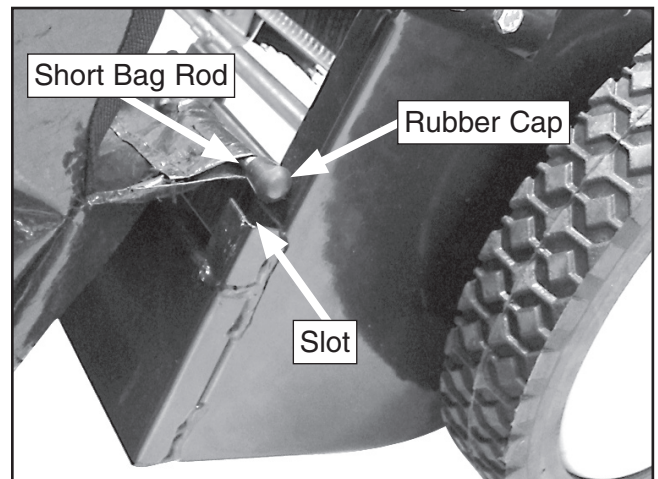


Figure 6. Securing short bag rod.

5. Hook the elastic strap to the lower bag hook, as shown in **Figure 7**.

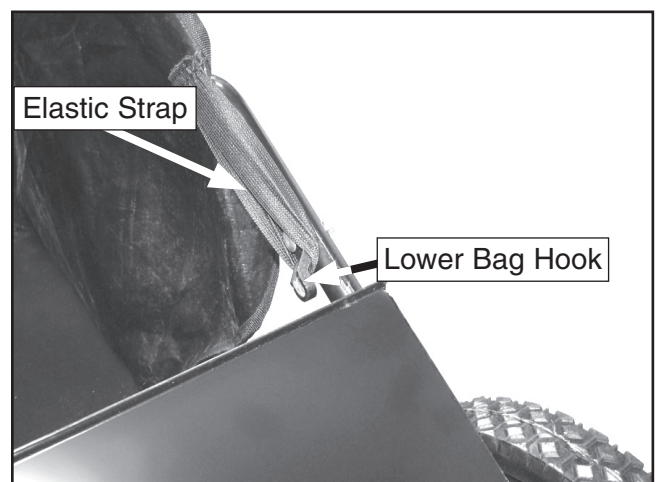


Figure 7. Elastic strap and lower bag hook.

Operations

The Model T10042 can be raised or lowered to achieve the optimal sweeping height for different surfaces and for different operators.

The optimal height adjustment allows the operator to handle the sweeper comfortably and positions the brushes so that they extend approximately $\frac{1}{2}$ " into the grass.

To adjust the brush height:

1. Loosen the height adjustment knob, then slide the adjustment bar downward to raise the brushes or upward to lower the brushes. When the desired height is reached, tighten the height adjustment knob (**Figure 8**).

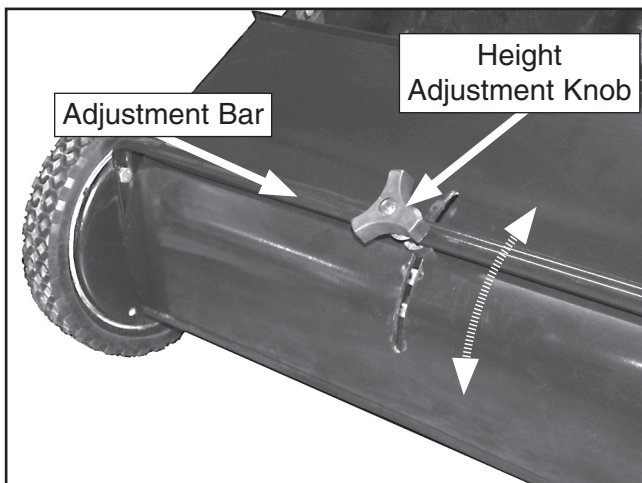


Figure 8. Height adjustment.

Tips for using the Model T10042 Lawn Sweeper:

- Empty the leaf bag after every use.
- To dump the leaf bag, tilt the sweeper all the way forward.
- For best results and ease of use, be sure the height is properly adjusted for both the surface being swept and the user's height.
- Follow the maintenance schedule outlined in these instructions to prevent unnecessary wear on your sweeper.

Maintenance

To prevent unnecessary wear, periodically lubricate the brush shaft bushings, the wheel bushings, and grease the ratchet gears in each wheel assembly.

To lubricate the bushings (twice annually):

1. Tilt the sweeper onto its side and apply a few drops of light oil to the brush shaft, as shown in **Figure 9**.

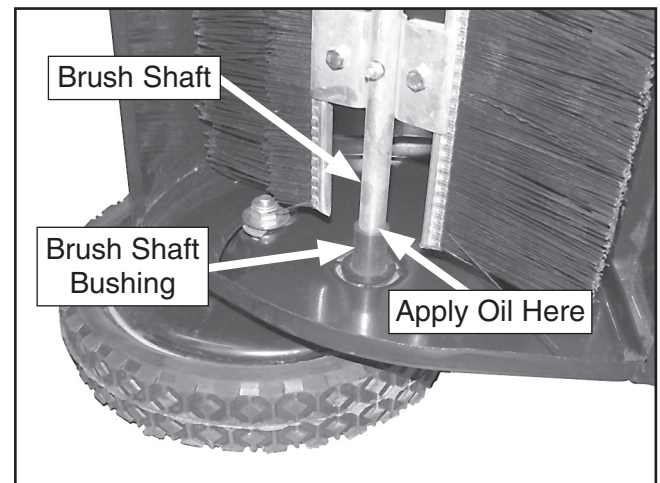


Figure 9. Brush shaft bushing lubrication.

2. With the sweeper still on its side, remove the dust cap on the exposed wheel, then apply a few drops of light oil to the wheel axle, as shown in **Figure 10**, and spin the wheel to distribute the oil.

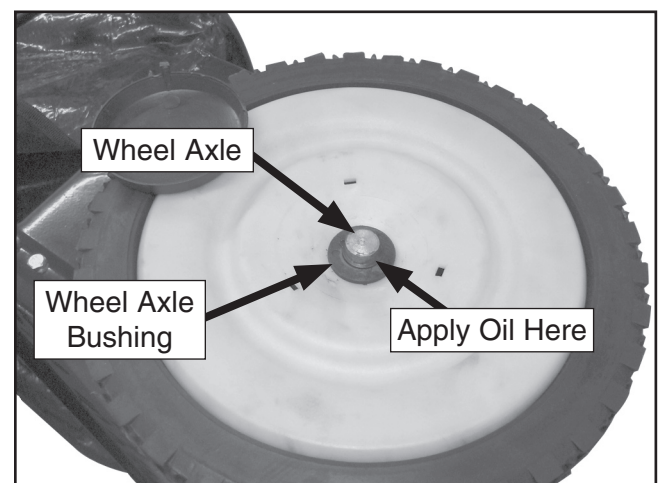


Figure 10. Wheel axle lubrication.



3. Replace the dust cap and allow the oil to penetrate for a few minutes. Flip the sweeper on to the other side and repeat **Steps 1-3** for the other bushings.

Every two years, the ratchet assemblies in each wheel should be cleaned and greased.

Note: When performing this procedure, take notes on the position of all washers, spacers, and retaining rings. Work on one side at a time to avoid mixing directional components.

To grease the ratchet assemblies:

1. Remove the dust cover and the retaining clip holding the wheel, then remove the wheel (**Figures 11 and 12**).

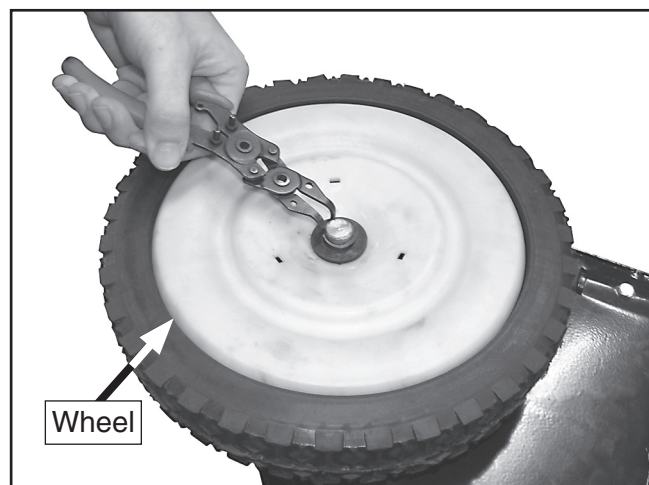


Figure 11. Retaining clip removal.

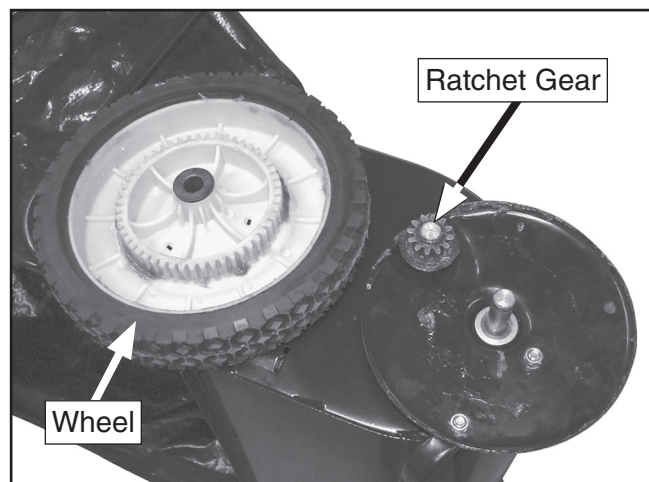


Figure 12. Wheel removed.

2. Remove the retaining clip from the brush shaft, then remove the spacers (**Figure 13**).

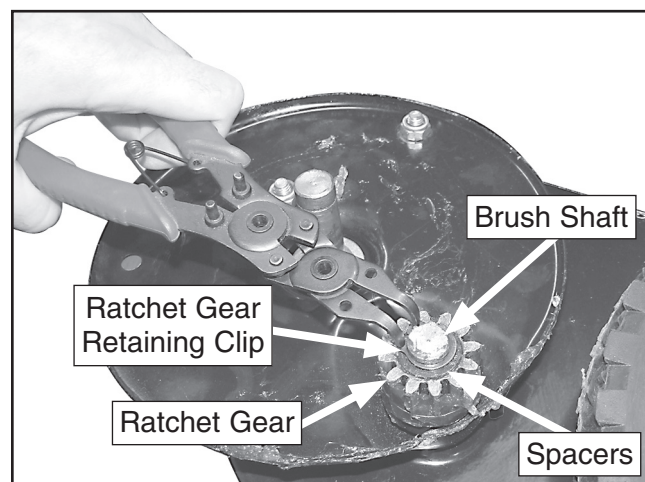


Figure 13. Ratchet gear assembly.

3. Remove the ratchet gear and the ratchet pin (**Figure 14**).

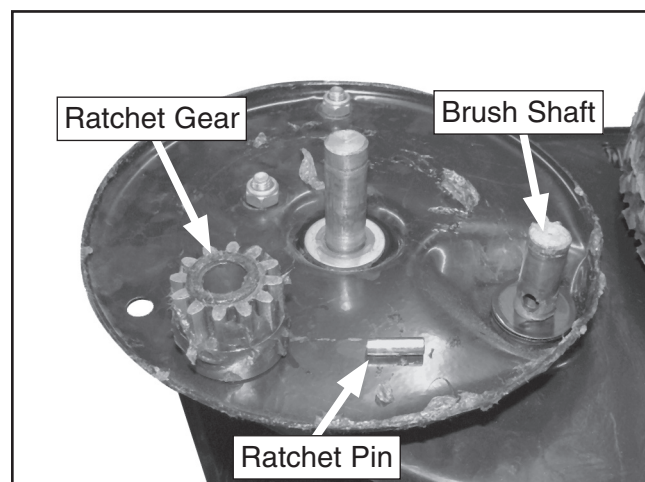


Figure 14. Ratchet gear assembly.

4. Thoroughly clean, then grease the parts using multipurpose grease. Re-assemble in the reverse order from disassembly.
5. Repeat for the other wheel.

With extensive use, the brushes on the Model T10042 may become worn and require replacement.

To replace the brushes:

1. Tilt the sweeper all the way forward to allow easy access to the brushes. For the sake of simplicity, only replace one brush at a time.
2. Remove the lock nuts and hex bolts indicated in **Figure 15**, and remove the old brushes. It is not necessary to remove the bolts and nuts connecting the brush holder to the brush shaft.
3. Install the new brush, making sure the overlap bristles are properly oriented in relationship to the direction of brush rotation, as shown in **Figure 15**. Tighten the hex nuts.

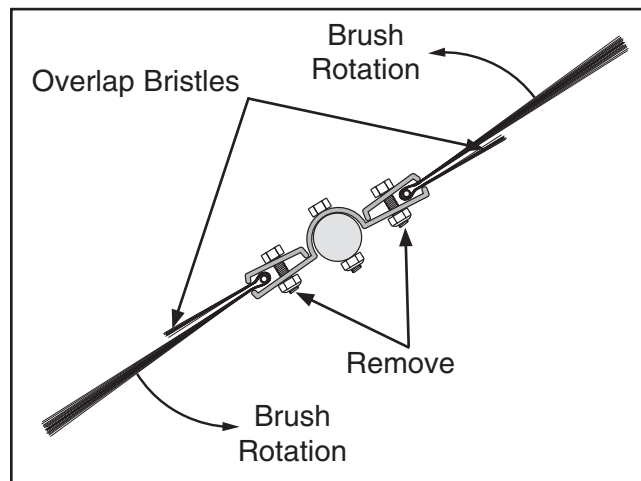
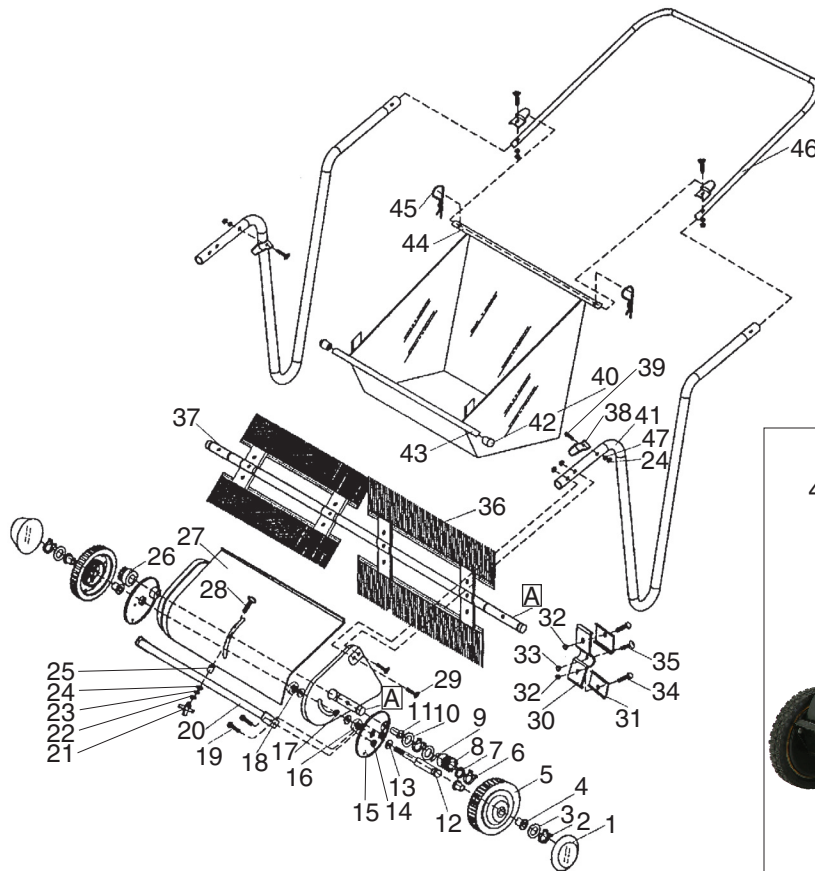


Figure 15. Brush assembly (end view).



T10042 Parts & Labels Breakdown and List



REF	PART #	DESCRIPTION
1	PT10042001	WHEEL DUST COVER
2	PR06M	EXT RETAINING RING 16MM
3	PW08M	FLAT WASHER 16MM
4	PT10042004	WHEEL BUSHING
5	PT10042005	WHEEL
6	PR05M	EXT RETAINING RING 15MM
7	PT10042007	OUTER SHIM
8	PT10042008	PINION GEAR LEFT
9	PT10042009	PIN
10	PT10042010	INNER SHIM
11	PT10042011	BRUSH AXLE BUSHING
12	PT10042012	WHEEL AXLE
13	PW04M	FLAT WASHER 10MM
14	PT10042014	LOCK NUT M8-1.25
15	PT10042015	DUST COVER ASSEMBLY
16	PN02M	HEX NUT M10-1.5
17	PT10042017	ENDPLATE BUSHING
18	PLN05M	LOCK NUT M10-1.5
19	PB06M	HEX BOLT M8-1.25 X 12
20	PT10042020	CONNECTOR TUBE
21	PT10042021	FEMALE KNOB M8-1.25
22	PW01M	FLAT WASHER 8MM
23	PLW04M	LOCK WASHER 8MM
24	PLN03M	LOCK NUT M6-1

REF	PART #	DESCRIPTION
25	PT10042025	FRICTION WASHER
26	PT10042026	PINION GEAR RIGHT
27	PT10042027	SWEEPER BODY
28	PCB28M	CARRIAGE BOLT M8-1.25 X 55
29	PB29M	HEX BOLT M6-1 X 30
30	PT10042030	BRUSH CLAMP
31	PT10042031	BRUSH RETAINER
32	PLN03M	LOCK NUT M6-1
33	PLN02M	LOCK NUT M5-.8
34	PB08M	HEX BOLT M6-1 X 20
35	PB94M	HEX BOLT M5-.8 X 25
36	PT10042036	BRUSH ASSEMBLY
37	PT10042037	BRUSH SHAFT
38	PT10042038	BAG CLIP
39	PCB29M	CARRIAGE BOLT M6-1 X 30
40	PT10042040	HOPPER BAG
41	PT10042041	FRAME LEG
42	PT10042042	RUBBER CAP
43	PT10042043	SHORT BAG ROD
44	PT10042044	LONG BAG ROD
45	PT10042045	HAIRPIN COTTER PIN
46	PT10042046	FRAME HANDLE
47	PLW04M	LOCK WASHER 8MM
48	PT10042048	GRIZZLY.COM LABEL

Free Manuals Download Website

<http://myh66.com>

<http://usermanuals.us>

<http://www.somanuals.com>

<http://www.4manuals.cc>

<http://www.manual-lib.com>

<http://www.404manual.com>

<http://www.luxmanual.com>

<http://aubethermostatmanual.com>

Golf course search by state

<http://golfingnear.com>

Email search by domain

<http://emailbydomain.com>

Auto manuals search

<http://auto.somanuals.com>

TV manuals search

<http://tv.somanuals.com>