

Grizzly **Industrial, Inc.**®

MODEL G0770 **HEAVY-DUTY BENCHTOP** **MEAT CUTTING SAW** **OWNER'S MANUAL** *(For models manufactured since 11/13)*



COPYRIGHT © JANUARY, 2014 BY GRIZZLY INDUSTRIAL, INC.
**WARNING: NO PORTION OF THIS MANUAL MAY BE REPRODUCED IN ANY SHAPE
OR FORM WITHOUT THE WRITTEN APPROVAL OF GRIZZLY INDUSTRIAL, INC.**
#TSBL16142 PRINTED IN CHINA

V1.01.14

 **WARNING!**

This manual provides critical safety instructions on the proper setup, operation, maintenance, and service of this machine/tool. Save this document, refer to it often, and use it to instruct other operators.

Failure to read, understand and follow the instructions in this manual may result in fire or serious personal injury—including amputation, electrocution, or death.

The owner of this machine/tool is solely responsible for its safe use. This responsibility includes but is not limited to proper installation in a safe environment, personnel training and usage authorization, proper inspection and maintenance, manual availability and comprehension, application of safety devices, cutting/sanding/grinding tool integrity, and the usage of personal protective equipment.

The manufacturer will not be held liable for injury or property damage from negligence, improper training, machine modifications or misuse.

 **WARNING!**

Some dust created by power sanding, sawing, grinding, drilling, and other construction activities contains chemicals known to the State of California to cause cancer, birth defects or other reproductive harm. Some examples of these chemicals are:

- **Lead from lead-based paints.**
- **Crystalline silica from bricks, cement and other masonry products.**
- **Arsenic and chromium from chemically-treated lumber.**

Your risk from these exposures varies, depending on how often you do this type of work. To reduce your exposure to these chemicals: Work in a well ventilated area, and work with approved safety equipment, such as those dust masks that are specially designed to filter out microscopic particles.

Table of Contents

INTRODUCTION	2	SECTION 4: OPERATIONS	14
Machine Description	2	Blade Change	14
Contact Info.....	2	Blade Tensioning	15
Manual Accuracy	2	Cutting Meat.....	16
Identification.....	3	SECTION 5: CLEANING & SANITIZING	17
Machine Data Sheet	4	Cleaning Saw.....	17
SECTION 1: SAFETY	6	Proper Sanitation	19
Safety Instructions for Machinery	6	SECTION 6: ACCESSORIES	20
Additional Safety for Meat Saws.....	8	SECTION 7: MAINTENANCE	22
SECTION 2: POWER SUPPLY	9	Schedule	22
Availability	9	Lubrication	22
Full-Load Current Rating.....	9	SECTION 8: SERVICE	23
110V Circuit Requirements	9	Troubleshooting	23
Grounding & Plug Requirements	10	SECTION 9: WIRING	24
Extension Cords.....	10	Wiring Safety Instructions	24
SECTION 3: SETUP	11	Wiring Diagram	25
Unpacking	11	Electrical Components.....	26
Clean Up.....	11	SECTION 10: PARTS	27
Site Considerations.....	11	Main	27
Workbench Load	11	Labels	29
Placement Location.....	11	WARRANTY & RETURNS	33
Leveling.....	11		
Test Run	12		

INTRODUCTION

Machine Description

The Model G0770 Heavy-Duty Benchtop Meat Saw is an all stainless-steel saw for cutting fresh or frozen meat or bones.

The included push-through tool and adjustable fence are used to make safe and consistently-sized cuts. Many of the parts are quickly removed for easy cleaning and sanitizing.

During operation, in-line blade wipers clear blade scraps and deposit them in an easy-to-clean tray inside the wheel cover.

The motor features an internal brake that brings the blade to a quick stop when the convenient on/off switch is used.

Adjustable vibration-absorbing feet allow for stable benchtop operation.

Contact Info

We stand behind our machines. If you have any questions or need help, use the information below to contact us. Before contacting, please get the serial number and manufacture date of your machine. This will help us help you faster.

Grizzly Technical Support
1203 Lycoming Mall Circle
Muncy, PA 17756
Phone: (570) 546-9663
Email: techsupport@grizzly.com

We want your feedback on this manual. What did you like about it? Where could it be improved? Please take a few minutes to give us feedback.

Grizzly Documentation Manager
P.O. Box 2069
Bellingham, WA 98227-2069
Email: manuals@grizzly.com


Manual Accuracy

We are proud to provide a high-quality owner's manual with your new machine!

We made every effort to be exact with the instructions, specifications, drawings, and photographs contained inside. Sometimes we make mistakes, but our policy of continuous improvement also means that **sometimes the machine you receive will be slightly different than what is shown in the manual.**

If you find this to be the case, and the difference between the manual and machine leaves you confused about a procedure, check our website for an updated version. We post current manuals and manual updates for free on our website at www.grizzly.com.

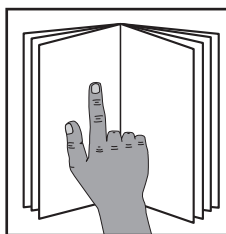
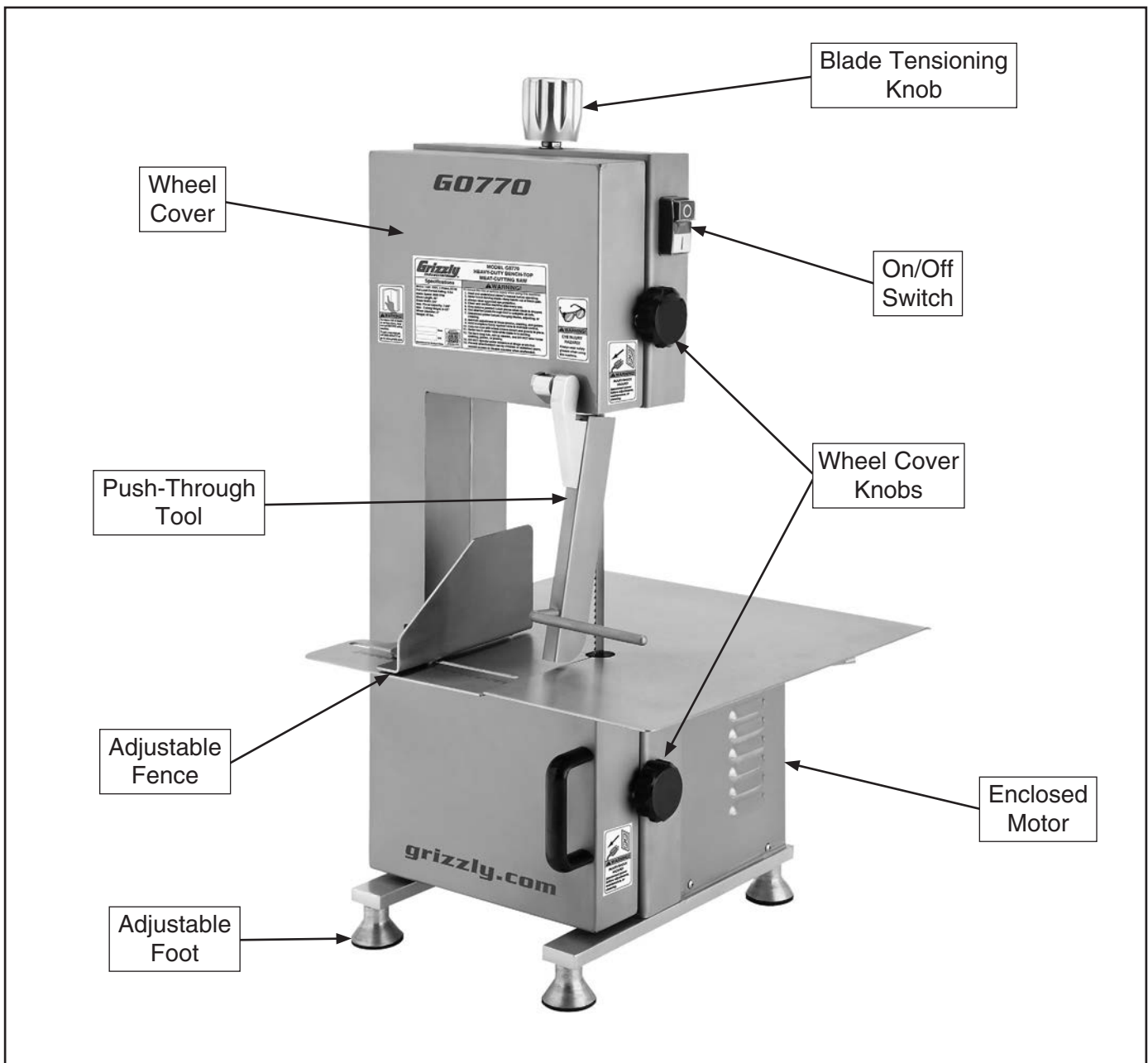
Alternatively, you can call our Technical Support for help. Before calling, please write down the **Manufacture Date** and **Serial Number** stamped into the machine ID label (see below). This information helps us determine if updated documentation is available for your machine.

		MODEL GXXXX MACHINE NAME	
SPECIFICATIONS		▲ WARNING!	
Motor:	To reduce risk of serious injury when using this machine:		
Specification:	manual before operation.		
Specification:	safety glasses and respirator.		
Specification:	rectly adjusted/setup and		
Specification:	power is connected to grounded circuit before starting.		
Weight:	4. Make sure the motor has stopped and disconnect		
	power before adjustments, maintenance, or service.		
	5. DO NOT expose to rain or dampness.		
	6. DO NOT modify this machine in any way.		
	7.		
	8.		
	9. ended.		
	10. Maintain machine carefully to prevent accidents.		

Manufactured for Grizzly in Taiwan



Identification



!WARNING

To reduce your risk of serious injury, read this entire manual **BEFORE** using machine.





MACHINE DATA SHEET

Customer Service #: (570) 546-9663 · To Order Call: (800) 523-4777 · Fax #: (800) 438-5901

MODEL G0770 HEAVY DUTY BENCHTOP MEAT CUTTING SAW

Product Dimensions:

Weight..... 97 lbs.
Width (side-to-side) x Depth (front-to-back) x Height..... 20-1/8 x 23-7/8 x 31-5/8 in.
Footprint (Length x Width)..... 14-3/4 x 11-1/2 in.

Shipping Dimensions:

Type..... Wood Crate
Content..... Machine
Weight..... 124 lbs.
Length x Width x Height..... 22 x 22 x 37 in.
Must Ship Upright..... Yes

Electrical:

Power Requirement..... 110V, Single-Phase, 60 Hz
Full-Load Current Rating..... 6.5A
Minimum Circuit Size..... 15A
Connection Type..... Cord & Plug
Power Cord Included..... Yes
Power Cord Length..... 5 ft.
Power Cord Gauge..... 14 AWG
Plug Included..... Yes
Included Plug Type..... 5-15
Switch Type..... ON/OFF Push Button Switch

Motors:

Main

Type..... Permanent Split Capacitor Induction w/Brake
Horsepower..... 1 HP
Phase..... Single-Phase
Amps..... 6.5A
Speed..... 1750 RPM
Bearings..... Shielded & Permanently Lubricated

Main Specifications:

Main Specifications

Bandsaw Size..... 8 in.
Max Cutting Width (Left of Blade)..... 7-3/8 in.
Max Cutting Width (Left of Blade) w/Fence..... 6-5/8 in.
Max Cutting Height (Resaw Height)..... 9-1/2 in.
Blade Speeds..... 3800 FPM

Blade Information

Standard Blade Length..... 65 in.
Blade Width Range..... 5/8 in.



Table Information

Table Length.....	18-1/4 in.
Table Width.....	17-1/4 in.
Table Thickness.....	1/8 in.
Floor-to-Table Height.....	12-1/2 in.

Construction Materials

Table.....	Stainless Steel
Fence.....	Stainless Steel
Base/Stand.....	Stainless Steel
Frame/Body.....	Stainless Steel
Wheels.....	Stainless Steel
Wheel Cover	Stainless Steel

Other Related Information

Wheel Diameter.....	8 in.
Wheel Width.....	1/2 in.

Other Specifications:

Country Of Origin	China
Warranty	1 Year
Serial Number Location	Machine ID Label
Sound Rating	75 dB
ISO 9001 Factory	No
CSA Certified	No

Features:

- In-operation blade scraper
- Large easy-to-use blade-tensioning knob
- Adjustable rubber feet
- Stainless-steel construction with quick release upper wheel for easy cleaning

Accessories Included:


- T26611 6-TPI stainless steel bandsaw blade (rated for cutting bone)




SECTION 1: SAFETY

For Your Own Safety, Read Instruction Manual Before Operating This Machine

The purpose of safety symbols is to attract your attention to possible hazardous conditions. This manual uses a series of symbols and signal words intended to convey the level of importance of the safety messages. The progression of symbols is described below. Remember that safety messages by themselves do not eliminate danger and are not a substitute for proper accident prevention measures. Always use common sense and good judgment.

 **DANGER** Indicates an imminently hazardous situation which, if not avoided, **WILL** result in death or serious injury.

 **WARNING** Indicates a potentially hazardous situation which, if not avoided, **COULD** result in death or serious injury.

 **CAUTION** Indicates a potentially hazardous situation which, if not avoided, **MAY** result in minor or moderate injury. It may also be used to alert against unsafe practices.

NOTICE This symbol is used to alert the user to useful information about proper operation of the machine.

Safety Instructions for Machinery

WARNING

OWNER'S MANUAL. Read and understand this owner's manual **BEFORE** using machine.

TRAINED OPERATORS ONLY. Untrained operators have a higher risk of being hurt or killed. Only allow trained/supervised people to use this machine. When machine is not being used, disconnect power, remove switch keys, or lock-out machine to prevent unauthorized use—especially around children. Make workshop kid proof!

DANGEROUS ENVIRONMENTS. Do not use machinery in areas that are wet, cluttered, or have poor lighting. Operating machinery in these areas greatly increases the risk of accidents and injury.

MENTAL ALERTNESS REQUIRED. Full mental alertness is required for safe operation of machinery. Never operate under the influence of drugs or alcohol, when tired, or when distracted.

ELECTRICAL EQUIPMENT INJURY RISKS. You can be shocked, burned, or killed by touching live electrical components or improperly grounded machinery. To reduce this risk, only allow qualified service personnel to do electrical installation or repair work, and always disconnect power before accessing or exposing electrical equipment.

DISCONNECT POWER FIRST. Always disconnect machine from power supply **BEFORE** making adjustments, changing tooling, or servicing machine. This prevents an injury risk from unintended startup or contact with live electrical components.

EYE PROTECTION. Always wear ANSI-approved safety glasses or a face shield when operating or observing machinery to reduce the risk of eye injury or blindness from flying particles. Everyday eyeglasses are **NOT** approved safety glasses.



WARNING

WEARING PROPER APPAREL. Do not wear clothing, apparel or jewelry that can become entangled in moving parts. Always tie back or cover long hair. Wear non-slip footwear to avoid accidental slips, which could cause loss of workpiece control.

HAZARDOUS DUST. Dust created while using machinery may cause cancer, birth defects, or long-term respiratory damage. Be aware of dust hazards associated with each workpiece material, and always wear a NIOSH-approved respirator to reduce your risk.

HEARING PROTECTION. Always wear hearing protection when operating or observing loud machinery. Extended exposure to this noise without hearing protection can cause permanent hearing loss.

REMOVE ADJUSTING TOOLS. Tools left on machinery can become dangerous projectiles upon startup. Never leave chuck keys, wrenches, or any other tools on machine. Always verify removal before starting!

USE CORRECT TOOL FOR THE JOB. Only use this tool for its intended purpose—do not force it or an attachment to do a job for which it was not designed. Never make unapproved modifications—modifying tool or using it differently than intended may result in malfunction or mechanical failure that can lead to personal injury or death!

AWKWARD POSITIONS. Keep proper footing and balance at all times when operating machine. Do not overreach! Avoid awkward hand positions that make workpiece control difficult or increase the risk of accidental injury.

CHILDREN & BYSTANDERS. Keep children and bystanders at a safe distance from the work area. Stop using machine if they become a distraction.

GUARDS & COVERS. Guards and covers reduce accidental contact with moving parts or flying debris. Make sure they are properly installed, undamaged, and working correctly.

FORCING MACHINERY. Do not force machine. It will do the job safer and better at the rate for which it was designed.

NEVER STAND ON MACHINE. Serious injury may occur if machine is tipped or if the cutting tool is unintentionally contacted.

STABLE MACHINE. Unexpected movement during operation greatly increases risk of injury or loss of control. Before starting, verify machine is stable and mobile base (if used) is locked.

USE RECOMMENDED ACCESSORIES. Consult this owner's manual or the manufacturer for recommended accessories. Using improper accessories will increase the risk of serious injury.

UNATTENDED OPERATION. To reduce the risk of accidental injury, turn machine **OFF** and ensure all moving parts completely stop before walking away. Never leave machine running while unattended.

MAINTAIN WITH CARE. Follow all maintenance instructions and lubrication schedules to keep machine in good working condition. A machine that is improperly maintained could malfunction, leading to serious personal injury or death.

CHECK DAMAGED PARTS. Regularly inspect machine for any condition that may affect safe operation. Immediately repair or replace damaged or mis-adjusted parts before operating machine.

MAINTAIN POWER CORDS. When disconnecting cord-connected machines from power, grab and pull the plug—NOT the cord. Pulling the cord may damage the wires inside. Do not handle cord/plug with wet hands. Avoid cord damage by keeping it away from heated surfaces, high traffic areas, harsh chemicals, and wet/damp locations.

EXPERIENCING DIFFICULTIES. If at any time you experience difficulties performing the intended operation, stop using the machine! Contact our Technical Support at (570) 546-9663.



Additional Safety for Meat Saws

WARNING

BLADE CONDITION. Do not operate with dull, cracked or badly worn blade. Dull blades require more effort when cutting and increase the risk of kickback. Inspect blades for cracks and missing teeth before each use.

HAND PLACEMENT. To prevent laceration or amputation injuries, never position hand or fingers in-line with blade. Wait for meat to move completely through the cut with help of included push-through tool before removing cut-off piece.

WORKPIECE MATERIAL. This machine is designed to cut fresh and frozen meat and bones. This machine is NOT designed to cut wood, metal, glass, stone, tile, etc.

GUARDS & COVERS. Guards and covers protect operator from moving bandsaw blade. ONLY operate saw with guards and covers secured in proper position.

CLEANING & SANITIZING. Keep machine and work area clean and sanitary using solutions approved for food processing. DO NOT use solvents that can contaminate meat and cause illness. Properly clean and sanitize saw before and after each use.

USDA REGULATIONS. If you are not familiar with safe meat handling techniques, contact your local Board of Health or the USDA for proper sanitary procedures.

WEARING APPAREL. Always wear approved clothing and face protection during operation and cleaning/sanitizing.

PERSONAL HYGIENE. To avoid introducing harmful contaminants to food, always keep your exposed skin clean and sanitized. Cover all exposed body hair and use gloves designed for food processing when operating saw.

BLADE REPLACEMENT. To avoid mishaps that could result in operator injury, make sure blade teeth face down toward the table and the blade is properly tensioned and tracked before operating.

SUPPORTING CUTS. Cuts should always be fully supported by table, fence, and included push-through tool. If necessary to maintain safe cuts, use auxiliary fixtures. Do not cut very small or thin pieces that are hard to control.

BLADE CONTROL. To avoid serious personal injury, DO NOT attempt to stop or slow the blade with your hand or workpiece. Turn bandsaw **OFF** and wait for blade to come to a complete stop before trying to remove jammed meat or free a stalled blade.

BLADE SPEED. Moving meat or bone against a blade that is not at full speed could cause blade to grab workpiece and draw operator's hands into blade. Always allow the blade to come to full speed before starting the cut.

FEED RATE. To avoid risk of meat or bone slipping and drawing hands into blade, always feed material evenly and smoothly. DO NOT force, twist, or jam material into blade, especially when sawing through bone.

WARNING

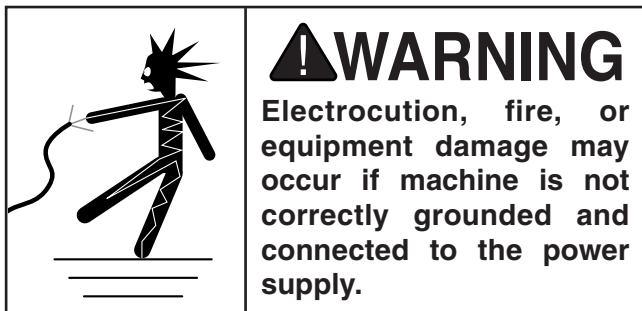
Like all machinery there is potential danger when operating this machine. Accidents are frequently caused by lack of familiarity or failure to pay attention. Use this machine with respect and caution to reduce the risk of operator injury. If normal safety precautions are overlooked or ignored, serious personal injury may occur.



SECTION 2: POWER SUPPLY

Availability

Before installing the machine, consider the availability and proximity of the required power supply circuit. If an existing circuit does not meet the requirements for this machine, a new circuit must be installed. To minimize the risk of electrocution, fire, or equipment damage, installation work and electrical wiring must be done by an electrician or qualified service personnel in accordance with all applicable codes and standards.



Full-Load Current Rating

The full-load current rating is the amperage a machine draws at 100% of the rated output power. On machines with multiple motors, this is the amperage drawn by the largest motor or sum of all motors and electrical devices that might operate at one time during normal operations.

Full-Load Current Rating at 110V..... 6.5 Amps

The full-load current is not the maximum amount of amps that the machine will draw. If the machine is overloaded, it will draw additional amps beyond the full-load rating.

If the machine is overloaded for a sufficient length of time, damage, overheating, or fire may result—especially if connected to an undersized circuit. To reduce the risk of these hazards, avoid overloading the machine during operation and make sure it is connected to a power supply circuit that meets the specified circuit requirements.

! WARNING

Serious injury could occur if you connect the machine to power before completing the setup process. DO NOT connect to power until instructed later in this manual.

110V Circuit Requirements

This machine is prewired to operate on a power supply circuit that has a verified ground and meets the following requirements:

Nominal Voltage 110V, 115V, 120V
Cycle 60 Hz
Phase Single-Phase
Power Supply Circuit 15 Amps

A power supply circuit includes all electrical equipment between the breaker box or fuse panel in the building and the machine. The power supply circuit used for this machine must be sized to safely handle the full-load current drawn from the machine for an extended period of time. (If this machine is connected to a circuit protected by fuses, use a time delay fuse marked D.)

! CAUTION

For your own safety and protection of property, consult an electrician if you are unsure about wiring practices or electrical codes in your area.

Note: *The circuit requirements listed in this manual apply to a dedicated circuit—where only one machine will be running at a time. If this machine will be connected to a shared circuit where multiple machines will be running at the same time, consult a qualified electrician to ensure that the circuit is properly sized for safe operation.*



Grounding & Plug Requirements

This machine **MUST** be grounded. In the event of certain malfunctions or breakdowns, grounding reduces the risk of electric shock by providing a path of least resistance for electric current.

This machine is equipped with a power cord that has an equipment-grounding wire and a grounding plug (similar to the figure below). The plug must only be inserted into a matching receptacle (outlet) that is properly installed and grounded in accordance with all local codes and ordinances.

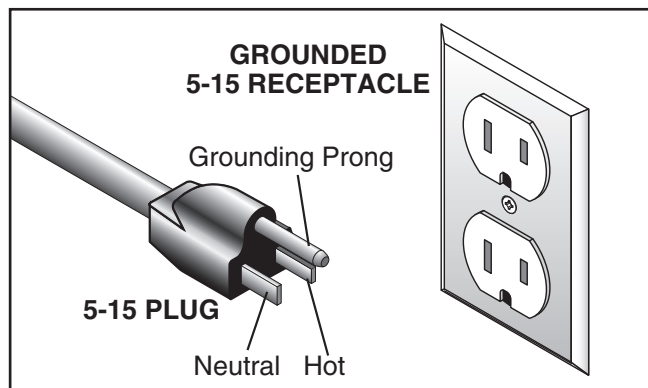
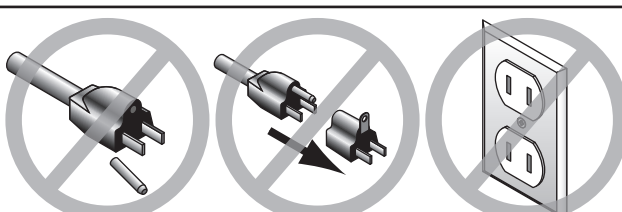


Figure 1. Typical 5-15 plug and receptacle.

⚠ CAUTION



SHOCK HAZARD!

Two-prong outlets do not meet the grounding requirements for this machine. Do not modify or use an adapter on the plug provided—if it will not fit the outlet, have a qualified electrician install the proper outlet with a verified ground.

Improper connection of the equipment-grounding wire can result in a risk of electric shock. The wire with green insulation (with or without yellow stripes) is the equipment-grounding wire. If repair or replacement of the power cord or plug is necessary, do not connect the equipment-grounding wire to a live (current carrying) terminal.

Check with a qualified electrician or service personnel if you do not understand these grounding requirements, or if you are in doubt about whether the tool is properly grounded. If you ever notice that a cord or plug is damaged or worn, disconnect it from power, and immediately replace it with a new one.

Extension Cords

We do not recommend using an extension cord with this machine. If you must use an extension cord, only use it if absolutely necessary and only on a temporary basis.

Extension cords cause voltage drop, which may damage electrical components and shorten motor life. Voltage drop increases as the extension cord size gets longer and the gauge size gets smaller (higher gauge numbers indicate smaller sizes).

Any extension cord used with this machine must contain a ground wire, match the required plug and receptacle, and meet the following requirements:

- Minimum Gauge Size14 AWG**
- Maximum Length (Shorter is Better).....50 ft.**



SECTION 3: SETUP

Unpacking

Your machine was carefully packaged for safe transportation. Remove the packaging materials from around your machine and inspect it. If you discover any damage, *please call us immediately at (570) 546-9663 for advice.*

Save the containers and all packing materials for possible inspection by the carrier or its agent. *Otherwise, filing a freight claim can be difficult.*

When you are completely satisfied with the condition of your shipment, inventory the contents.



Clean Up

After removing the saw from the shipping pallet and the protective wrapping, thoroughly clean and sanitize it as directed in **SECTION 5: CLEANING & SANITIZING** on **Page 17** before beginning operation. Get in the habit of properly cleaning and sanitizing the saw before and after each use to avoid contamination and illness.



Site Considerations

Workbench Load

Refer to the **Machine Data Sheet** for the weight and footprint specifications of your machine. Some workbenches may require additional reinforcement to support the weight of the machine and workpiece materials.

Placement Location

Consider anticipated workpiece sizes and additional space needed for auxiliary stands, work tables, or other machinery when establishing a location for this machine in the shop. Below is the minimum amount of space needed for the machine.

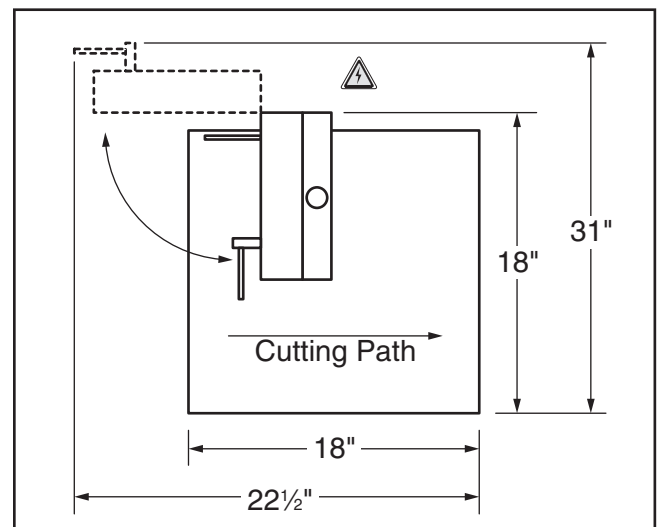


Figure 2. Minimum working clearances.

Leveling

The feet of the saw are threaded into the base and adjustable in height. Adjust the feet to make sure the saw is stable and does not wobble on the benchtop.



Test Run

Test run the saw to ensure it is properly connected to power and operates correctly.

If you find an unusual problem during the test run, immediately stop the saw, disconnect it from power, and fix the problem BEFORE operating the machine again. The **Troubleshooting** table in the **SERVICE** section of this manual can help.

WARNING

Serious injury or death can result from using this machine BEFORE understanding its controls and related safety information. DO NOT operate, or allow others to operate, machine until the information is understood.

WARNING

DO NOT start machine until all preceding setup instructions have been performed. Operating an improperly setup machine may result in malfunction or unexpected results that can lead to serious injury, death, or machine/property damage.

To test run the meat saw:

1. DISCONNECT SAW FROM POWER!
2. Rotate both wheel cover knobs (see **Page 3**) clockwise to open wheel cover and expose wheels.
3. Make sure of the following blade conditions (see **Figures 3–4** for identification):
 - Blade teeth face down through table.
 - Blade is within $\frac{1}{64}$ " of wheel back lip on both wheels.
 - Blade is properly positioned between blade guide and against blade wipers.

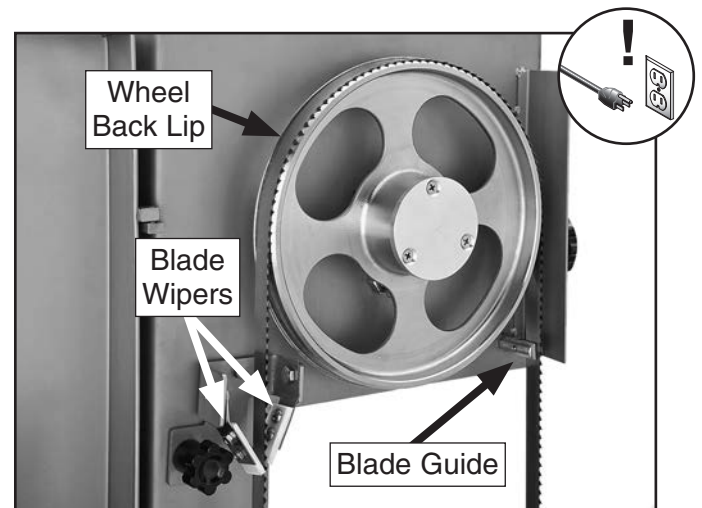


Figure 3. Top wheel blade.

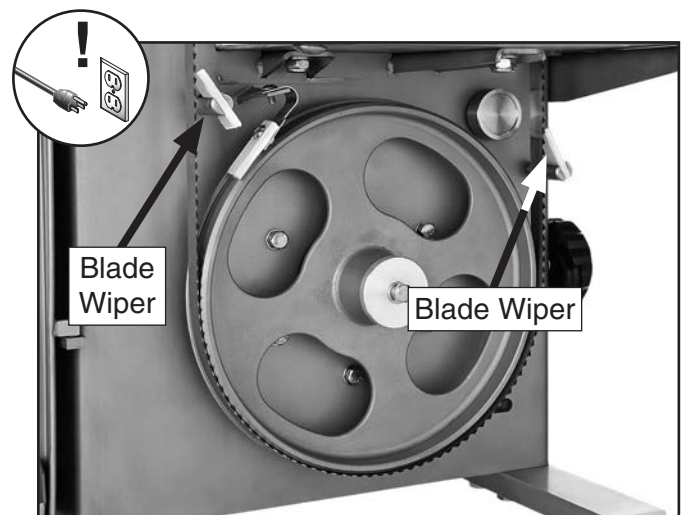


Figure 4. Bottom wheel blade wipers.



4. Use blade tensioning knob on top of saw to tension blade until there is approximately $\frac{1}{4}$ " deflection when moderate pressure is pushed against middle of blade, as shown in **Figure 5**.

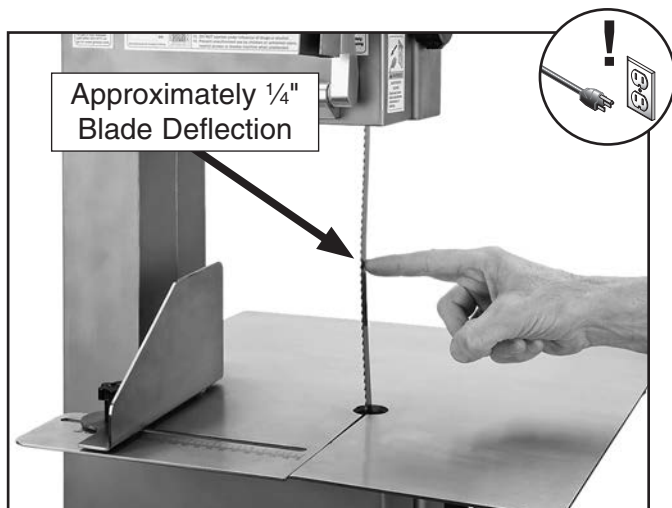


Figure 5. Checking blade deflection.

Note: Rotate tensioning knob clockwise (looking down from above) to increase blade tension and counterclockwise to decrease blade tension.

⚠ WARNING

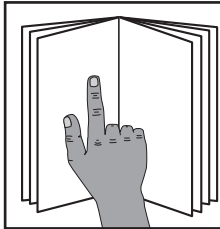
To prevent blade falling off wheels and causing injury or property damage, **DO NOT** rotate blade tensioning knob when saw is operating. Always disconnect saw from power before adjusting blade tension.

5. Close and secure wheel cover.
6. Press "O" (off) button on on/off switch to prevent unexpected startup when connecting to power.
7. Insert power cord plug into a matching receptacle that meets **110V Circuit Requirements** on **Page 9**.
8. Turn machine **ON** and verify motor operation. The motor should run smoothly and without unusual problems or noises.
9. Turn the machine **OFF**.

Congratulations! The **Test Run** is complete.



SECTION 4: OPERATIONS



!WARNING

To reduce your risk of serious injury, read this entire manual **BEFORE** using machine.



!WARNING

To reduce risk of eye or face injury from flying debris, always wear safety glasses and face shield when operating this machine.

NOTICE

If you are not experienced with this type of machine, **WE STRONGLY RECOMMEND** that you seek additional training outside of this manual. Read books/magazines or get formal training before beginning any projects. Regardless of the content in this section, Grizzly Industrial will not be held liable for accidents caused by lack of training.

Blade Change

The saw blade included with this meat saw is a general purpose 6 TPI (Teeth Per Inch) blade. Refer to **SECTION 5: ACCESSORIES** on **Page 20** for replacement blades or blades designed for cutting other materials. Do research to help in selecting the proper blade for the application.

!WARNING

ONLY use food-grade saw blades (typically stainless steel) to prevent food contamination from metal corrosion.



!CAUTION

Saw blades are very sharp and can quickly cause cutting injuries. Always wear heavy-leather gloves when handling saw blades.

To change the saw blade:

1. DISCONNECT SAW FROM POWER!
2. Rotate both wheel cover knobs clockwise to open wheel cover and expose wheels (see **Figure 6**).

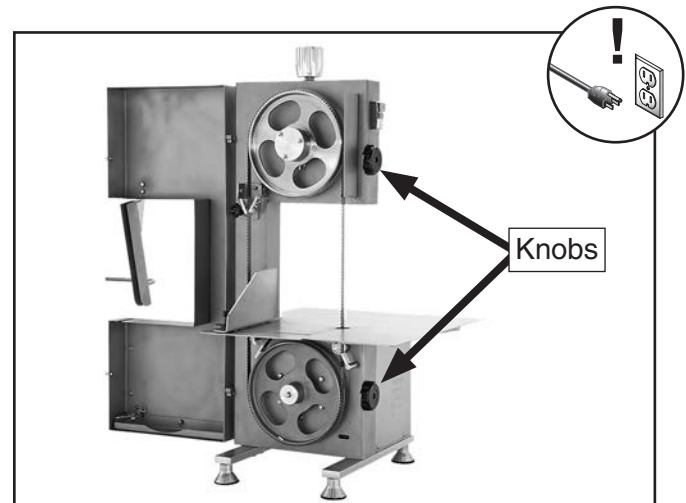


Figure 6. Wheel cover open to expose wheels.



3. Rotate blade tensioning knob counterclockwise (looking down from above) to release blade tension, pull blade off wheels, then remove it from machine.
4. Install replacement blade on wheels and make sure of the following conditions (refer to **Figures 7–8** for identification):
 - Blade teeth face down through table.
 - Blade is within $\frac{1}{64}$ " of wheel back lip on both wheels.
 - Blade is properly positioned between blade guide and against blade wipers.

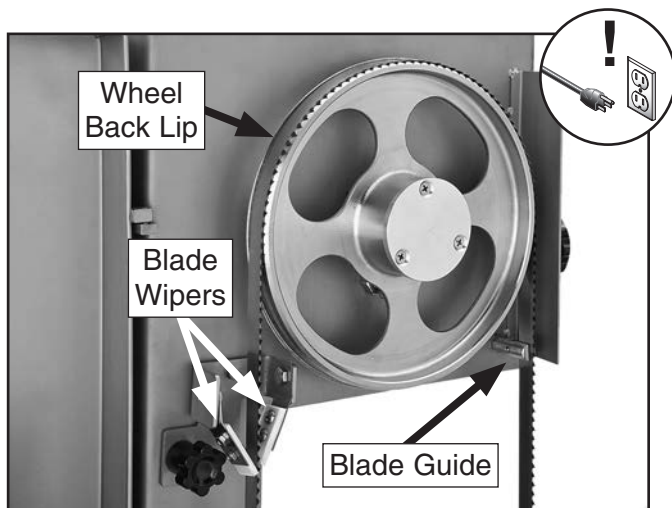


Figure 7. Top wheel.

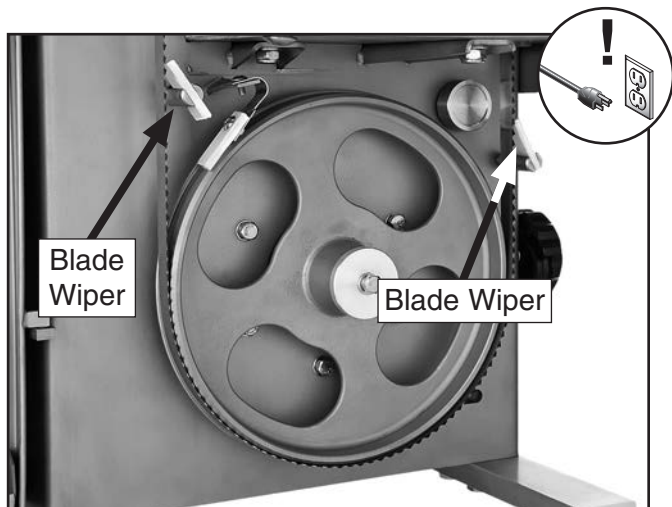


Figure 8. Bottom wheel.

5. Close and secure wheel cover.
6. Properly tension blade, as instructed in next subsection.

Blade Tensioning

A properly tensioned blade will maximize blade life and produce safe, clean cuts.

To tension the saw blade:

1. DISCONNECT SAW FROM POWER!
2. Make sure blade is properly installed, as instructed in the previous subsection.
3. Rotate blade tensioning knob to tension blade until there is approximately $\frac{1}{4}$ " deflection when moderate pressure is pushed against middle of blade, as shown in **Figure 9**.

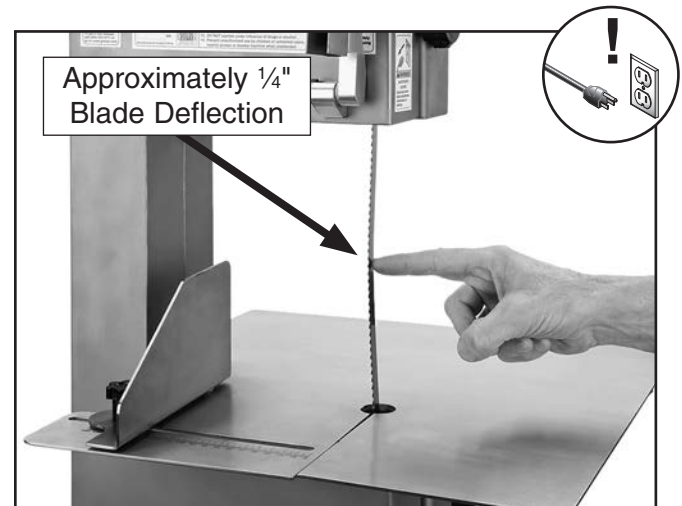


Figure 9. Measuring blade tension.

Note: Rotate tensioning knob clockwise (looking down from above) to increase blade tension and counterclockwise to decrease blade tension.

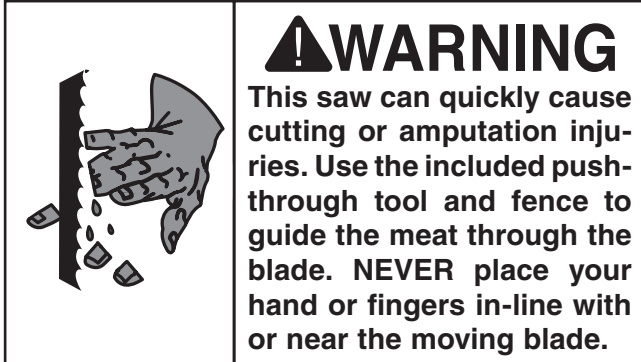
!WARNING

To prevent blade falling off wheels and causing injury or property damage, **DO NOT** rotate blade tensioning knob when saw is operating. Always disconnect saw from power before adjusting blade tension.



Cutting Meat

The Model G0770 Heavy-Duty Benchtop Meat Cutting Saw is designed to cut through fresh or frozen meat or bones.



To cut meat:

1. Make sure all parts of saw are properly cleaned and sanitized.
2. Make sure blade is properly installed and tensioned.
3. Adjust and secure fence for desired thickness of cut.
4. Turn saw **ON** and wait for blade to reach full speed.
5. Using fence and push-through tool, slowly feed meat through the cut.

Note: If you hear the motor slow down or struggle with cut, reduce feed rate.
6. Turn machine **OFF**, wait for blade to completely stop, then remove cut-off piece.
7. Properly align remaining meat with fence and blade, then repeat **Steps 4–6** to make additional cuts.



SECTION 5: CLEANING & SANITIZING



⚠️ WARNING

If you are not familiar with safe meat handling techniques, contact your local Board of Health or the USDA for proper sanitizing procedures.



⚠️ WARNING

Always be as thorough as possible when cleaning and sanitizing the saw and its parts. Any surface that has been exposed to raw meat or bone may develop bacteria that could cause illness or death if not properly cleaned and sanitized.



⚠️ WARNING

Cleaning saw while it is connected to power could cause severe electrical shock or death. ALWAYS disconnect saw from power before cleaning and sanitizing. DO NOT reconnect it to power until all parts are completely dry.

Cleaning Saw

To clean the saw and prepare for sanitizing:

1. Prepare a clean and sanitized area for placing parts as you remove them from saw.
2. DISCONNECT SAW FROM POWER!
3. Remove saw blade (refer to **Blade Change** on **Page 14** for detailed instructions).
4. Lift the upper wheel up to remove it from bracket (see **Figure 10**).

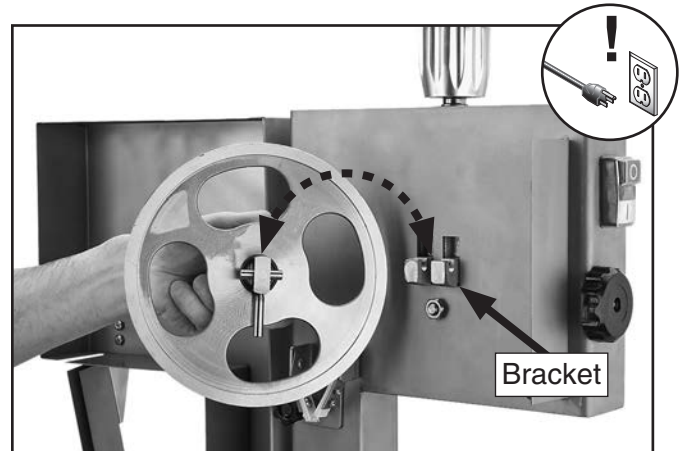


Figure 10. Upper wheel removed from bracket.



5. Remove scrap tray from wheel cover (see **Figure 11**), then lift wheel cover off hinges.

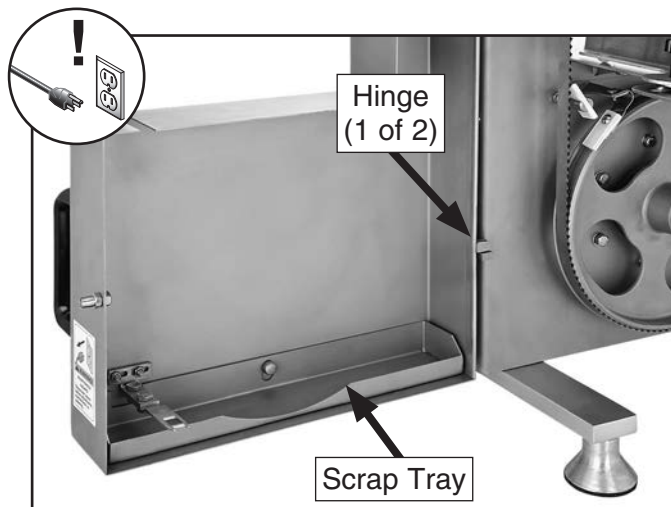


Figure 11. Wheel cover hinge and scrap tray identification.

6. Remove largest particles of meat/bone and place into a garbage container.
7. Using hot water, rinse and wipe away as much leftover material as possible.

NOTICE

To avoid damaging electrical parts when reconnecting saw to power, do not spray saw body with water or solutions. Do not allow any liquid to enter the side vents around the motor. Instead, use a cloth rag and hot, soapy water to thoroughly clean the surfaces of the saw body.

8. Clean sink compartments with hot water and dish soap, then rinse them thoroughly with hot water.

Note: Dishwashers are a good option for cleaning AND sanitizing at the same time because they use heat. Place the parts that can fit inside the dishwasher and use the highest possible heat settings. If it is an option, use the dishwasher to dry parts with hot air.

9. Fill a clean sink compartment with hot, soapy water.
10. Submerge the removed parts in the soapy water and scrub all surfaces thoroughly.
11. Rinse all parts with clean hot water until all visible suds are removed.

Note: If the soapy water becomes hazy, drain the compartment and refill with more hot, soapy water.

12. Clean all other surfaces of saw body with a cloth rag and hot, soapy water. Afterward, use hot, clear water and a clean cloth rag to remove soapy residue.
13. Allow all parts and surfaces to air dry after rinsing.



Proper Sanitation



All surfaces of the saw that are exposed to the cutting process must be properly cleaned and sanitized. Cleaning the food debris and residue away is only half of the process. These surfaces must now be disinfected with solutions that will remove bacteria and other micro-organisms.

Some sanitizers require direct applications, while others are designed to be diluted in water and used to soak the item for a specified period of time. The best method for choosing a chemical sanitizer is to do the research and determine which product is best for your particular situation.

One simple sanitizer that can be used for many applications is regular bleach.

Note: *Do not use bleach that contains odor-masking agents or surfactants. These chemicals have not been proven effective for this type of sanitation.*

To use bleach as a sanitizer, scrub a sink compartment with hot, soapy water, then rinse it clear. Fill the sink with one tablespoon of bleach per gallon of COOL water.

For removable parts, submerge each item for two minutes. For larger surfaces, use a clean cloth and the bleach solution to wipe down these surfaces for two minutes. Allow to air dry—**DO NOT rinse these items after sanitation!**

If porous surfaces, such as wood, are used in the cutting process, clean as previously described, then soak for two minutes in a solution of three tablespoons of bleach to one gallon of COOL water. **Rinse these items thoroughly after sanitation!**



SECTION 6: ACCESSORIES

! WARNING

Installing unapproved accessories may cause machine to malfunction, resulting in serious personal injury or machine damage. To reduce this risk, only install accessories recommended for this machine by Grizzly.

NOTICE

Refer to our website or latest catalog for additional recommended accessories.

Food-Grade Replacement Blades, $\frac{5}{8}$ " x 65"

T26609—3 TPI (Frozen Fish)

T26610—4 TPI (Frozen Meat)

T26611—6 TPI (Bone)

H7774—Stainless-Steel Cutting Table

This 72" long Cutting Table will handle all your meat processing chores with plenty of room to spare. Stainless-steel construction is easy to clean and sanitize for all food preparation. The table stands 35" tall and features 1" radius edge front and back, adjustable feet, and ladder-type lower shelf.

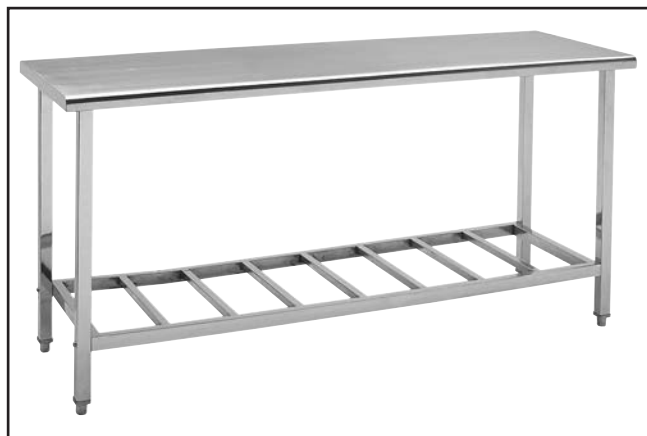


Figure 12. Model H7774 Stainless-Steel Cutting Table.

T24638— $\frac{1}{2}$ HP Electric Meat Grinder

$\frac{1}{2}$ HP, 120V motor features overload protection and reverse switch. Made of finest easy-to-clean materials for years of dependable use. Includes: Kubbe attachment, 3 sausage stuffing tubes, coarse, medium, and fine grinding plates, and push stick.



Figure 13. Model T24638 $\frac{1}{2}$ HP Electric Meat Grinder.

H6256—Meat Smoker

With a 20 lb. capacity, this Meat Smoker includes 4 large wire shelves, 3 wooden dowels for hanging meat, small dial thermometer, stainless steel dust pan, and 1000W heating element that operates on standard household current. Overall size: $17\frac{3}{8}$ " L x $17\frac{3}{8}$ " W x 25" H.



Figure 14. Model H6256 Meat Smoker.

order online at www.grizzly.com or call 1-800-523-4777



T20384—Great Sausage Recipes & Meat Curing Book

This is the most comprehensive book available on sausage making and meat curing and has sold over 500,000 copies worldwide. It is easily understood, contains a wide variety of recipes, and is very effective in helping solve common problems. 588 Pages.

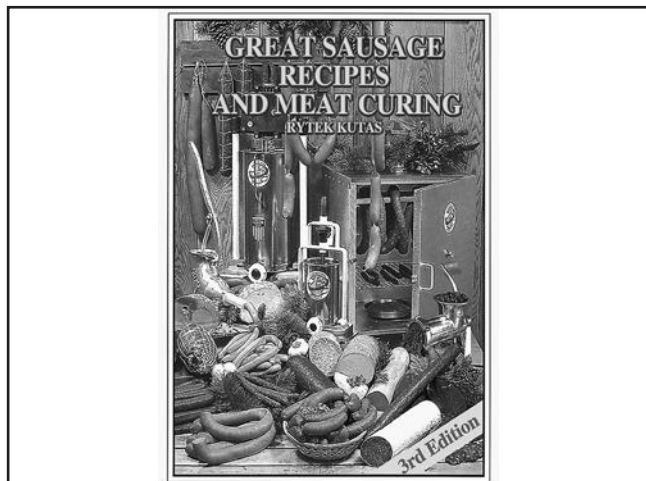


Figure 15. T20384 Great Sausage Recipes & Meat Curing Book.

H7776—15 Lb. Sausage Stuffer

With nearly a 300 cubic inch capacity, this vertical Sausage Stuffer is made of stainless steel for durability and easy cleaning. A 9" handle and bevel gears drive a large piston to press your favorite sausage recipe into endless links. Includes $\frac{5}{8}$ ", $\frac{7}{8}$ ", and $1\frac{3}{16}$ " x $7\frac{1}{2}$ " stuffing tubes.



Figure 16. H7776 15 Lb. Sausage Stuffer.

T20501—Face Shield Crown Protector 4"

T20502—Face Shield Crown Protector 7"

T20503—Face Shield Window

T20452—"Kirova" Anti-Reflective S. Glasses

T20451—"Kirova" Clear Safety Glasses

H7194—Bifocal Safety Glasses 1.5

H7195—Bifocal Safety Glasses 2.0

H7196—Bifocal Safety Glasses 2.5

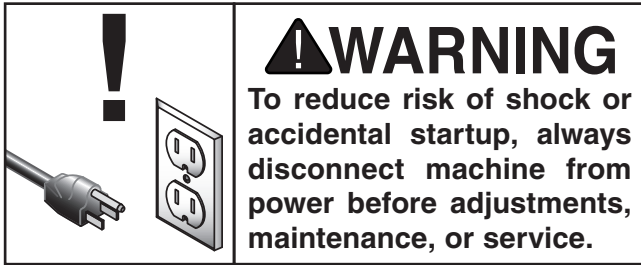


Figure 17. Eye protection assortment.

order online at www.grizzly.com or call 1-800-523-4777



SECTION 7: MAINTENANCE



Schedule

For optimum performance from your saw, follow this maintenance schedule and refer to any specific instructions given in this section.

Daily Check:

- Loose mounting bolts.
- Excessively worn or damaged saw blade.
- Worn or damaged wires.
- Any other unsafe condition.

Lubrication

The wheel bearings are shielded and lubricated for life. They require no maintenance throughout their lifespan.

Maintain the blade and table with a thin film of food-grade lubricant that will not support bacterial growth or become rancid. Do not use food-grade oils typically used for cooking that can become rancid over time and may cause illness. Make sure the product you use is specifically designed for protecting food processing machinery. Always follow the manufacturer's recommendations when using their products.

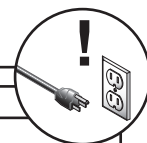


SECTION 8: SERVICE

Review the troubleshooting and procedures in this section if a problem develops with your machine. If you need replacement parts or additional help with a procedure, call our Technical Support at (570) 546-9663.

Note: Please gather the serial number and manufacture date of your machine before calling.

Troubleshooting



Symptom	Possible Cause	Possible Solution
Motor will not start.	<ol style="list-style-type: none"> 1. Low voltage. 2. Open circuit in motor or loose connections. 3. On/Off switch at fault. 	<ol style="list-style-type: none"> 1. Check power line for proper voltage. 2. Inspect all connections on motor for loose or open connections (Page 25). 3. Test/replace.
Motor will not start; fuses or circuit breakers blow.	<ol style="list-style-type: none"> 1. Short circuit in line cord. 	<ol style="list-style-type: none"> 1. Repair or replace line cord for damaged insulation and shorted wires.
Motor fails to develop full power or stalls.	<ol style="list-style-type: none"> 1. Power circuit overloaded with other appliances. 2. Undersized extension cord. 3. Run capacitor at fault. 4. Motor overloaded. 	<ol style="list-style-type: none"> 1. Reduce load on circuit. 2. Use an extension cord that is at least 14 AWG or larger. 3. Test/replace run capacitor. 4. Reduce feed rate; use correct blade.
Loud repetitious noise coming from machine.	<ol style="list-style-type: none"> 1. Saw blade not properly installed, tensioned, or is excessively worn/damaged. 2. Wheel bearings are worn. 3. Motor fan is hitting cover. 4. Loose fasteners. 	<ol style="list-style-type: none"> 1. Properly install/tension saw blade (Pages 14–15); replace worn/damaged blade. 2. Replace wheel. 3. Replace fan cover if damaged; replace motor fan. 4. Tighten all fasteners.
Vibration when running or cutting.	<ol style="list-style-type: none"> 1. Saw not stable. 2. Saw blade not properly installed, tensioned, or is excessively worn/damaged. 3. Wheel bearings are worn. 	<ol style="list-style-type: none"> 1. Adjust feet so that saw is stable. 2. Properly install/tension saw blade (Pages 14–15); replace worn/damaged blade. 3. Replace wheel.
Cuts are not straight and clean.	<ol style="list-style-type: none"> 1. Meat not properly supported. 2. Saw blade not properly installed, tensioned, or is excessively worn/damaged. 	<ol style="list-style-type: none"> 1. Support meat with fence and push-through tool; use auxiliary fixtures if necessary. 2. Properly install/tension saw blade (Pages 14–15); replace worn/damaged blade.
Material difficult to move across table.	<ol style="list-style-type: none"> 1. Material built up on table. 	<ol style="list-style-type: none"> 1. Clean and sanitize table, then apply a thin coat of food-grade lubricant (Page 22).



SECTION 9: WIRING

These pages are current at the time of printing. However, in the spirit of improvement, we may make changes to the electrical systems of future machines. Compare the manufacture date of your machine to the one stated in this manual, and study this section carefully.

If there are differences between your machine and what is shown in this section, call Technical Support at (570) 546-9663 for assistance BEFORE making any changes to the wiring on your machine. An updated wiring diagram may be available. **Note:** *Please gather the serial number and manufacture date of your machine before calling. This information can be found on the main machine label.*

WARNING

Wiring Safety Instructions

SHOCK HAZARD. Working on wiring that is connected to a power source is extremely dangerous. Touching electrified parts will result in personal injury including but not limited to severe burns, electrocution, or death. Disconnect the power from the machine before servicing electrical components!

MODIFICATIONS. Modifying the wiring beyond what is shown in the diagram may lead to unpredictable results, including serious injury or fire. This includes the installation of unapproved after-market parts.

WIRE CONNECTIONS. All connections must be tight to prevent wires from loosening during machine operation. Double-check all wires disconnected or connected during any wiring task to ensure tight connections.

CIRCUIT REQUIREMENTS. You MUST follow the requirements at the beginning of this manual when connecting your machine to a power source.

WIRE/COMPONENT DAMAGE. Damaged wires or components increase the risk of serious personal injury, fire, or machine damage. If you notice that any wires or components are damaged while performing a wiring task, replace those wires or components.

MOTOR WIRING. The motor wiring shown in these diagrams is current at the time of printing but may not match your machine. If you find this to be the case, use the wiring diagram inside the motor junction box.




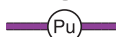

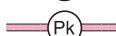
CAPACITORS/INVERTERS. Some capacitors and power inverters store an electrical charge for up to 10 minutes after being disconnected from the power source. To reduce the risk of being shocked, wait at least this long before working on capacitors.

EXPERIENCING DIFFICULTIES. If you are experiencing difficulties understanding the information included in this section, contact our Technical Support at (570) 546-9663.

NOTICE

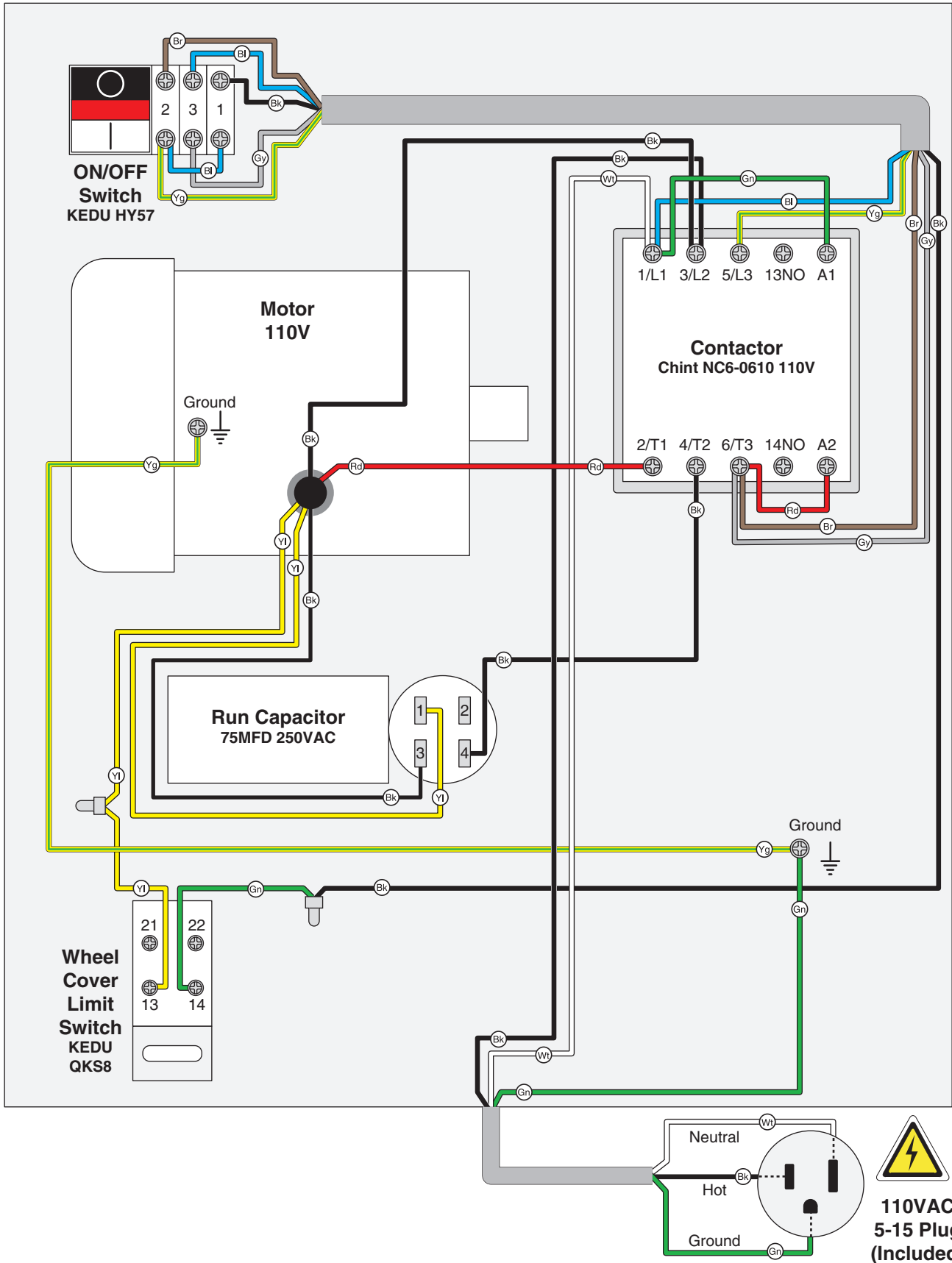
The photos and diagrams included in this section are best viewed in color. You can view these pages in color at www.grizzly.com.

COLOR KEY

BLACK		BLUE		YELLOW		LIGHT BLUE	
WHITE		BROWN		YELLOW GREEN		BLUE WHITE	
GREEN		GRAY		PURPLE		TURQUOISE	
RED		ORANGE		PINK			



Wiring Diagram



Electrical Components

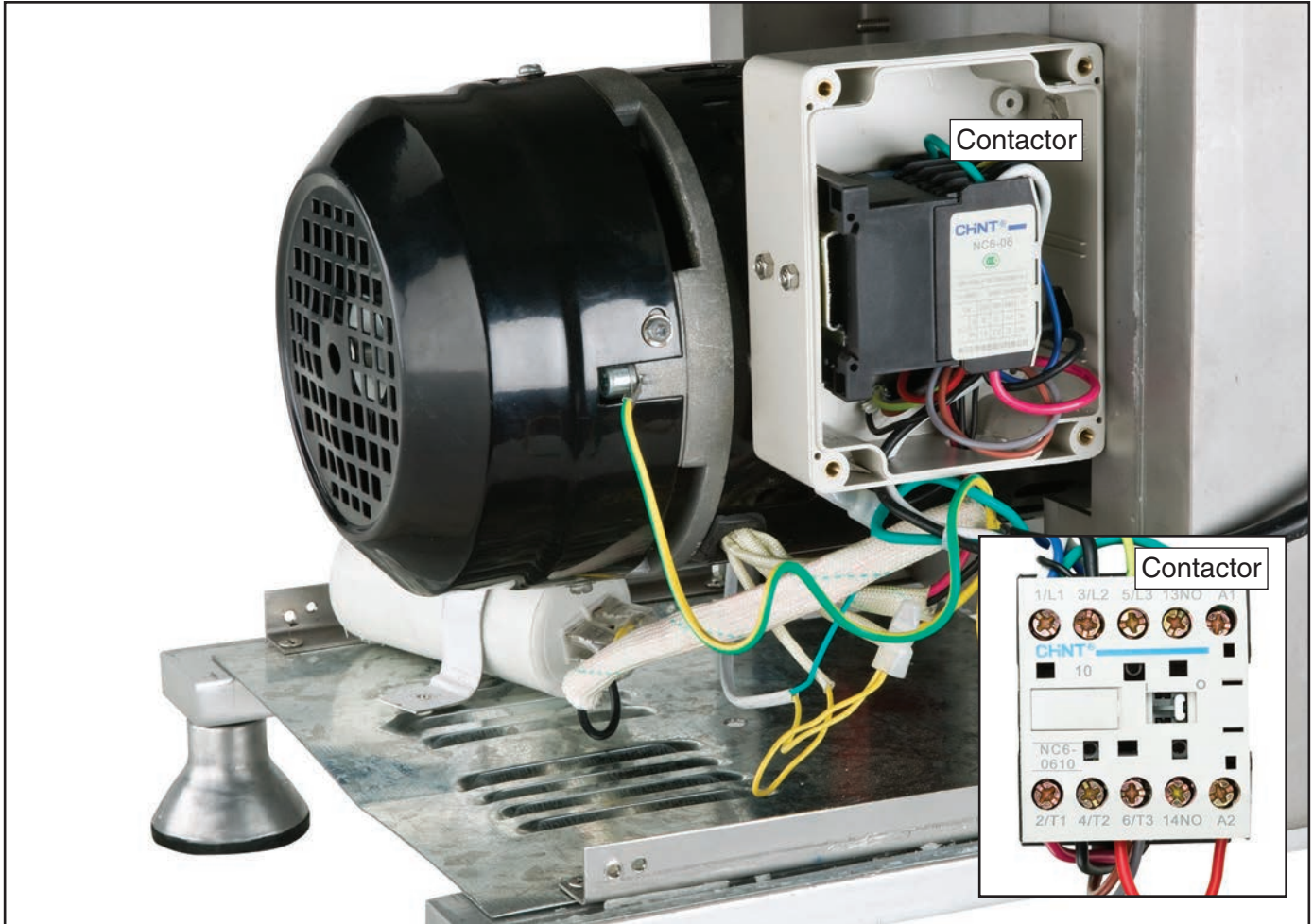


Figure 18. Main electrical wiring.



Figure 19. On/Off switch wiring.

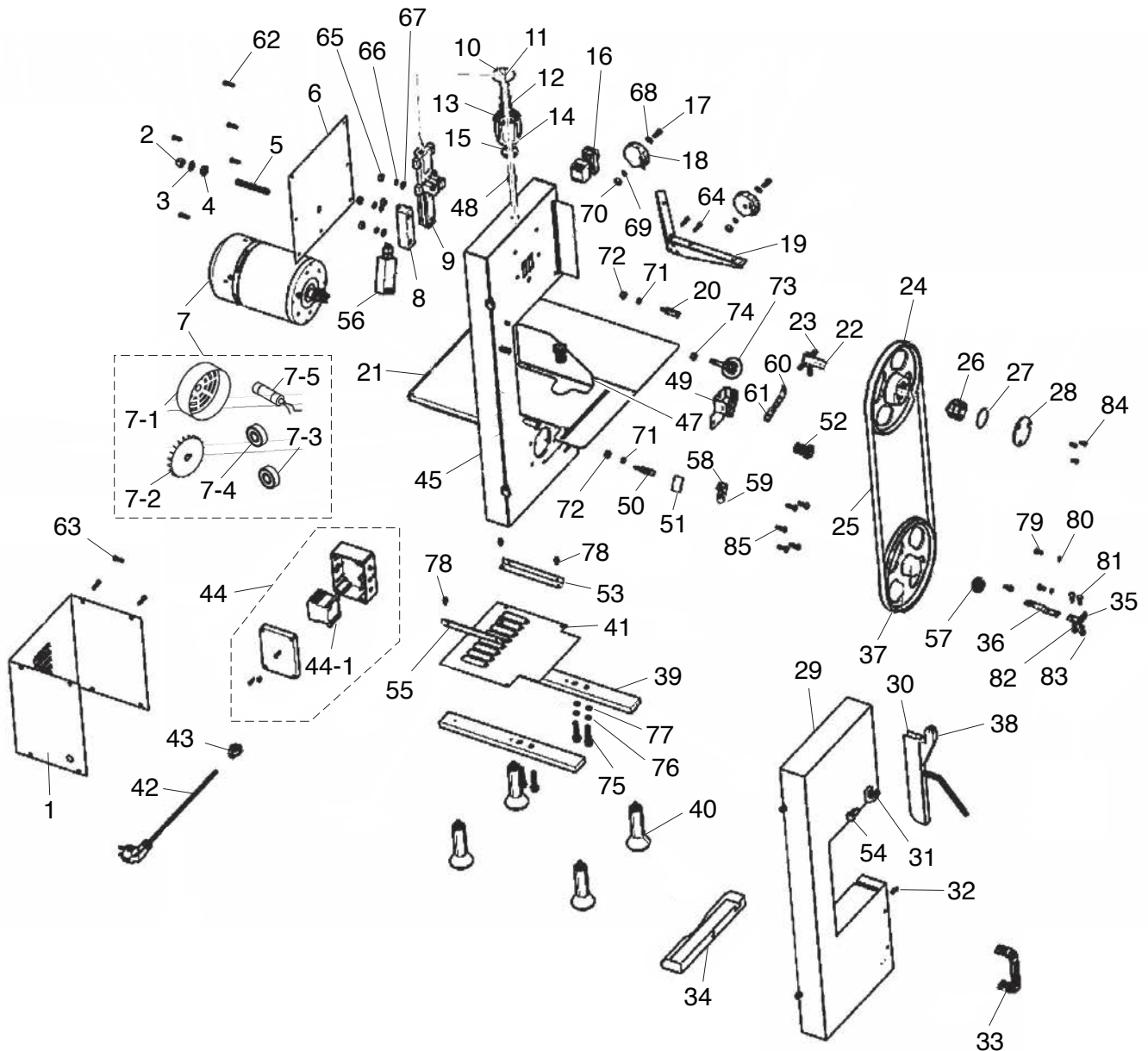


Figure 20. Wheel cover limit switch wiring.



SECTION 10: PARTS

Main



Please Note: We do our best to stock replacement parts whenever possible, but we cannot guarantee that all parts shown here are available for purchase. Call (800) 523-4777 or visit our online parts store at www.grizzly.com to check for availability.

Model G0770 (Mfd Since 11/13)



Main Parts List

REF	PART #	DESCRIPTION
1	P0770001	MOTOR COVER
2	P0770002	ACORN NUT M10-1.5 (SS)
3	P0770003	HEX NUT M10-1.5 (SS)
4	P0770004	GROMMET 10MM (RUBBER)
5	P0770005	STUD-FT M10-1.5 X 90 (SS)
6	P0770006	FRAME COVER (UPPER REAR)
7	P0770007	MOTOR 1HP 110V 1-PH 60HZ
7-1	P0770007-1	MOTOR FAN COVER
7-2	P0770007-2	MOTOR FAN
7-3	P0770007-3	BALL BEARING 6204ZZ
7-4	P0770007-4	BALL BEARING 6204ZZ
7-5	P0770007-5	R CAPACITOR 75M 250V 1-3/4 X 3-1/2
8	P0770008	TENSIONING SLIDE PLATE GUIDE
9	P0770009	TENSIONING SLIDE PLATE
10	P0770010	TENSIONING KNOB COVER
11	P0770011	LOCK NUT M10-1.5 (SS)
12	P0770012	COMPRESSION SPRING
13	P0770013	TENSIONING KNOB
14	P0770014	STEEL BALL 6MM
15	P0770015	FLAT WASHER 12MM
16	P0770016	ON/OFF SWITCH KEDU HY57
17	P0770017	CAP SCREW M6-1 X 30 (SS)
18	P0770018	WHEEL COVER KNOB
19	P0770019	TABLE HORIZONTAL SUPPORT
20	P0770020	BLADE GUIDE
21	P0770021	TABLE
22	P0770022	UPPER WHEEL AXLE
23	P0770023	UPPER WHEEL CROSS SHAFT
24	P0770024	UPPER WHEEL 8-1/2"
25	P0770025	SAW BLADE 5/8" X 65" 6TPI (SS)
26	P0770026	BALL BEARING 6203-2RS
27	P0770027	SEAL RING
28	P0770028	UPPER WHEEL AXLE COVER
29	P0770029	WHEEL DOOR
30	P0770030	PUSH-THROUGH TOOL
31	P0770031	TOOL ROTATION BRACKET
32	P0770032	SHOULDER SCREW M6-1 X 8 (SS)
33	P0770033	DOOR HANDLE
34	P0770034	SCRAP TRAY
35	P0770035	LOWER BLADE WIPER HOLDER
36	P0770036	LOWER BLADE WIPER BRACKET
37	P0770037	LOWER WHEEL 8-1/2"
38	P0770038	TOOL ARM
39	P0770039	FOOT RAIL
40	P0770040	ADJUSTABLE FOOT

REF	PART #	DESCRIPTION
41	P0770041	FRAME COVER (BOTTOM)
42	P0770042	POWER CORD 16G 3W 60" 5-15
43	P0770043	STRAIN RELIEF
44	P0770044	CONTACTOR ASSEMBLY W/BOX
44-1	P077044-1	CONTACTOR CHINT MC6-0610 110V
45	P0770045	FRAME
47	P0770047	FENCE
48	P0770048	TENSIONING MANDREL
49	P0770049	BLADE WIPER ASSEMBLY
50	P0770050	BLADE WIPER HOLDER (UPPER)
51	P0770051	BLADE WIPER PAD (UPPER)
52	P0770052	KNOB M6-1
53	P0770053	COVER MOUNT
54	P0770054	TOOL ARM ROTATION SHAFT
55	P0770055	TABLE SUPPORT L-BRACKET (LH)
56	P0770056	DOOR LIMIT SWITCH KEDU QKS8
57	P0770057	LOWER WHEEL AXLE COVER
58	P0770058	BLADE WIPER HOLDER (LOWER LEFT)
59	P0770059	BLADE WIPER PAD (LOWER LEFT)
60	P0770060	BLADE WIPER PAD (LOWER RIGHT)
61	P0770061	BLADE WIPER BRACKET (LOWER RIGHT)
62	P0770062	HEX BOLT M5-.8 X 8 (SS)
63	P0770063	PHLP HD SCR M4-.7 X 12 (SS)
64	P0770064	CAP SCREW M6-1 X 35 (SS)
65	P0770065	HEX NUT M8-1.25 (SS)
66	P0770066	LOCK WASHER 8MM (SS)
67	P0770067	FLAT WASHER 8MM (SS)
68	P0770068	FLAT WASHER 6MM (SS)
69	P0770069	LOCK WASHER 6MM (SS)
70	P0770070	LOCK NUT M6-1 (SS)
71	P0770071	HEX NUT M6-1 (SS)
72	P0770072	LOCK NUT M6-1 (SS)
73	P0770073	BLADE SUPPORT BEARING
74	P0770074	HEX NUT M10-1.5 (SS)
75	P0770075	HEX BOLT M8-1.25 X 40 (SS)
76	P0770076	LOCK WASHER 8MM (SS)
77	P0770077	FLAT WASHER 8MM (SS)
78	P0770078	FLAT HD SCR M5-.8 X 10 (SS)
79	P0770079	FLAT HD SCR M5-.8 X 8 (SS)
80	P0770080	HEX NUT M5-.8 (SS)
81	P0770081	FLAT HD SCR M5-.8 X 8 (SS)
82	P0770082	FLAT WASHER 5MM (SS)
83	P0770083	FENDER WASHER 5MM (SS)
84	P0770084	FLAT HD SCR M5-.8 X 10 (SS)
85	P0770085	HEX BOLT M6-1 X 30 (SS)



Labels



REF	PART #	DESCRIPTION
101	P0770101	MACHINE ID LABEL
102	P0770102	READ MANUAL LABEL
103	P0770103	MODEL NUMBER LABEL P-568C
104	P0770104	EYE INJURY WARNING LABEL

REF	PART #	DESCRIPTION
105	P0770105	DISCONNECT POWER LABEL
106	P0770106	GRIZZLY.COM LABEL P-568C
107	P0770107	ELECTRICITY LABEL

⚠ WARNING

Safety labels help reduce the risk of serious injury caused by machine hazards. If any label comes off or becomes unreadable, the owner of this machine **MUST** replace it in the original location before resuming operations. For replacements, contact (800) 523-4777 or www.grizzly.com.







WARRANTY CARD

Name _____
 Street _____
 City _____ State _____ Zip _____
 Phone # _____ Email _____
 Model # _____ Order # _____ Serial # _____

The following information is given on a voluntary basis. It will be used for marketing purposes to help us develop better products and services. **Of course, all information is strictly confidential.**

- How did you learn about us?

<input type="checkbox"/> Advertisement	<input type="checkbox"/> Friend	<input type="checkbox"/> Catalog
<input type="checkbox"/> Card Deck	<input type="checkbox"/> Website	<input type="checkbox"/> Other:
- Which of the following magazines do you subscribe to?

<input type="checkbox"/> Cabinetmaker & FDM	<input type="checkbox"/> Popular Science	<input type="checkbox"/> Wooden Boat
<input type="checkbox"/> Family Handyman	<input type="checkbox"/> Popular Woodworking	<input type="checkbox"/> Woodshop News
<input type="checkbox"/> Hand Loader	<input type="checkbox"/> Precision Shooter	<input type="checkbox"/> Woodsmith
<input type="checkbox"/> Handy	<input type="checkbox"/> Projects in Metal	<input type="checkbox"/> Woodwork
<input type="checkbox"/> Home Shop Machinist	<input type="checkbox"/> RC Modeler	<input type="checkbox"/> Woodworker West
<input type="checkbox"/> Journal of Light Cont.	<input type="checkbox"/> Rifle	<input type="checkbox"/> Woodworker's Journal
<input type="checkbox"/> Live Steam	<input type="checkbox"/> Shop Notes	<input type="checkbox"/> Other:
<input type="checkbox"/> Model Airplane News	<input type="checkbox"/> Shotgun News	
<input type="checkbox"/> Old House Journal	<input type="checkbox"/> Today's Homeowner	
<input type="checkbox"/> Popular Mechanics	<input type="checkbox"/> Wood	
- What is your annual household income?

<input type="checkbox"/> \$20,000-\$29,000	<input type="checkbox"/> \$30,000-\$39,000	<input type="checkbox"/> \$40,000-\$49,000
<input type="checkbox"/> \$50,000-\$59,000	<input type="checkbox"/> \$60,000-\$69,000	<input type="checkbox"/> \$70,000+
- What is your age group?

<input type="checkbox"/> 20-29	<input type="checkbox"/> 30-39	<input type="checkbox"/> 40-49
<input type="checkbox"/> 50-59	<input type="checkbox"/> 60-69	<input type="checkbox"/> 70+
- How long have you been a woodworker/metalworker?

<input type="checkbox"/> 0-2 Years	<input type="checkbox"/> 2-8 Years	<input type="checkbox"/> 8-20 Years	<input type="checkbox"/> 20+ Years
------------------------------------	------------------------------------	-------------------------------------	------------------------------------
- How many of your machines or tools are Grizzly?

<input type="checkbox"/> 0-2	<input type="checkbox"/> 3-5	<input type="checkbox"/> 6-9	<input type="checkbox"/> 10+
------------------------------	------------------------------	------------------------------	------------------------------
- Do you think your machine represents a good value? Yes No
- Would you recommend Grizzly Industrial to a friend? Yes No
- Would you allow us to use your name as a reference for Grizzly customers in your area?
Note: We never use names more than 3 times. Yes No

10. Comments: _____

CUT ALONG DOTTED LINE

FOLD ALONG DOTTED LINE



Place
Stamp
Here



GRIZZLY INDUSTRIAL, INC.
P.O. BOX 2069
BELLINGHAM, WA 98227-2069



FOLD ALONG DOTTED LINE

Send a Grizzly Catalog to a friend:

Name _____
Street _____
City _____ State _____ Zip _____

TAPE ALONG EDGES--PLEASE DO NOT STAPLE

WARRANTY & RETURNS

Grizzly Industrial, Inc. warrants every product it sells for a period of **1 year** to the original purchaser from the date of purchase. This warranty does not apply to defects due directly or indirectly to misuse, abuse, negligence, accidents, repairs or alterations or lack of maintenance. This is Grizzly's sole written warranty and any and all warranties that may be implied by law, including any merchantability or fitness, for any particular purpose, are hereby limited to the duration of this written warranty. We do not warrant or represent that the merchandise complies with the provisions of any law or acts unless the manufacturer so warrants. In no event shall Grizzly's liability under this warranty exceed the purchase price paid for the product and any legal actions brought against Grizzly shall be tried in the State of Washington, County of Whatcom.

We shall in no event be liable for death, injuries to persons or property or for incidental, contingent, special, or consequential damages arising from the use of our products.

To take advantage of this warranty, contact us by mail or phone and give us all the details. We will then issue you a "Return Number," which must be clearly posted on the outside as well as the inside of the carton. We will not accept any item back without this number. Proof of purchase must accompany the merchandise.

The manufacturers reserve the right to change specifications at any time because they constantly strive to achieve better quality equipment. We make every effort to ensure that our products meet high quality and durability standards and we hope you never need to use this warranty.

Please feel free to write or call us if you have any questions about the machine or the manual.

Thank you again for your business and continued support. We hope to serve you again soon.

grizzly.com[®]

TOOL WEBSITE

Buy Direct and Save with Grizzly[®] – Trusted, Proven and a Great Value!
~Since 1983~

*Visit Our Website Today For
Current Specials!*

**ORDER
24 HOURS A DAY!
1-800-523-4777**



Free Manuals Download Website

<http://myh66.com>

<http://usermanuals.us>

<http://www.somanuals.com>

<http://www.4manuals.cc>

<http://www.manual-lib.com>

<http://www.404manual.com>

<http://www.luxmanual.com>

<http://aubethermostatmanual.com>

Golf course search by state

<http://golfingnear.com>

Email search by domain

<http://emailbydomain.com>

Auto manuals search

<http://auto.somanuals.com>

TV manuals search

<http://tv.somanuals.com>