

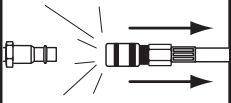


MODEL H6138 1/2" AIR IMPACT WRENCH INSTRUCTION SHEET

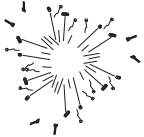
⚠ WARNING



EYE INJURY HAZARD!
Always wear safety glasses during use to prevent serious personal injury!



INJURY HAZARD!
Always disconnect tool from air to prevent unexpected operation during service!



EXPLOSION HAZARD!
Never exceed 120 PSI!



Figure 1. Model H6138.

Introduction

1/2" drive accepts all 1/2" standard and metric sockets. Features pistol grip with trigger switch, forward and reverse switch, 4 clutch settings, rubber bumpers for protection against normal garage use and a 1/4" NPT male quick connect fitting. Sockets not included.

Inventory

- A. Air Impact Wrench..... 1
- B. 1/4" NPT Quick Connect Fitting (male) 1

Operation

Tool requires 90 PSI to operate correctly.

To improve tool lifespan, use a filter/lubricator/regulator as shown in **Figure 2**. Otherwise, lubricate daily with a couple drops of pneumatic tool oil directly into the air fitting as shown in **Figure 3**.

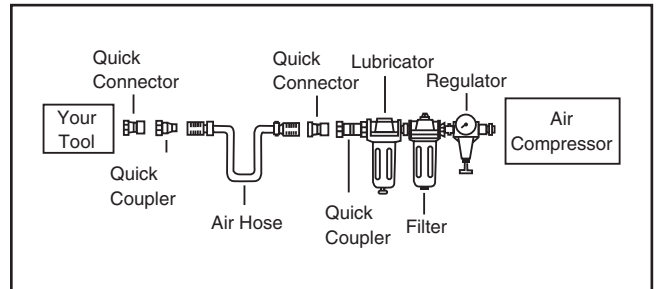


Figure 2. Installing your tool.

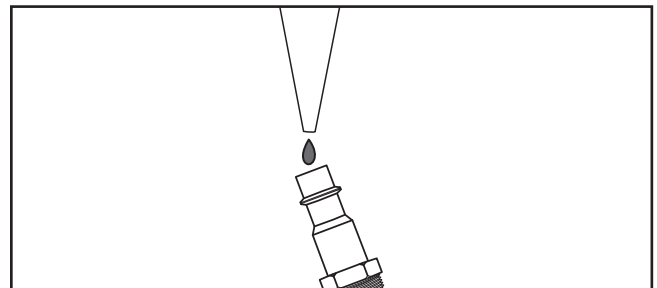


Figure 3. Lubricating directly into air fitting.

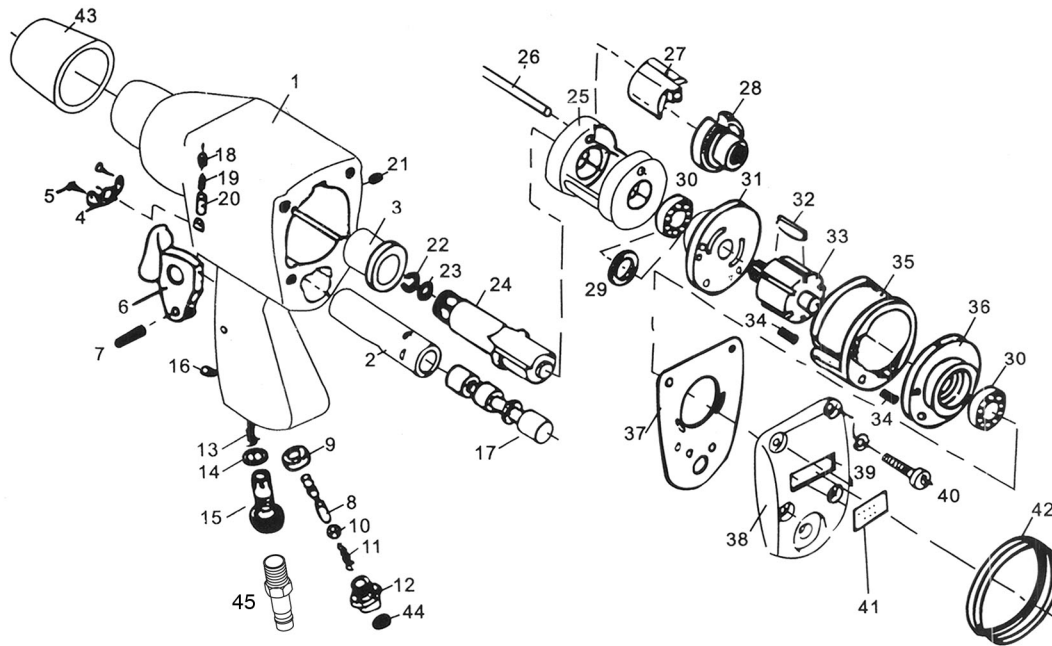
If you need help with your new pneumatic tool, call our Tech Support at: (570) 546-9663.

COPYRIGHT © FEBRUARY, 2006 BY GRIZZLY INDUSTRIAL, INC.

WARNING: NO PORTION OF THIS MANUAL MAY BE REPRODUCED IN ANY SHAPE OR FORM WITHOUT THE WRITTEN APPROVAL OF GRIZZLY INDUSTRIAL, INC.

#PC8007 PRINTED IN CHINA

H6138 Parts Breakdown and List



REF	PART #	DESCRIPTION
1	PH613801	HOUSING
2	PH613802	VALVE SLEEVE
3	PH613803	ANVIL BUSHING
4	PH613804	EXHAUST DEFLECTOR
5	PH613805	TAPPING SCREW
6	PH613806	TRIGGER
7	PH613807	SPRING PIN
8	PH613808	VALVE STEM
9	PH613809	BUSHING
10	PH613810	STEEL BALL
11	PH613811	SPRING
12	PH613812	HOSE ADAPTER
13	PH613813	SPRING
14	PH613814	O-RING
15	PH613815	AIR REGULATOR
16	PH613816	SET SCREW
17	PH613817	REVERSE VALVE
18	PH613818	PIN
19	PH613819	SPRING
20	PH613820	SET SCREW
21	PH613821	SET SCREW
22	PH613822	ANVIL COLLAR
23	PH613823	O-RING

REF	PART #	DESCRIPTION
24	PH613824	ANVIL
25	PH613825	HAMMER CAGE
26	PH613826	HAMMER PIN
27	PH613827	HAMMER DOG
28	PH613828	DRIVE CAM
29	PH613829	OIL SEAL
30	PH613830	BALL BEARING
31	PH613831	FRONT END PLATE
32	PH613832	ROTOR BLADE
33	PH613833	ROTOR
34	PH613834	SPRING PIN
35	PH613835	CYLINDER
36	PH613836	REAR END PLATE
37	PH613837	REAR GASKET
38	PH613838	REAR COVER
39	PH613839	SPRING WASHER
40	PH613840	CAP SCREW
41	PH613841	NAME PLATE
42	PH613842	RUBBER
43	PH613843	PROTECTING RUBBER
44	PH613844	STEEL BALL
45	PH613845	1/4 NPT AIR FITTING

Free Manuals Download Website

<http://myh66.com>

<http://usermanuals.us>

<http://www.somanuals.com>

<http://www.4manuals.cc>

<http://www.manual-lib.com>

<http://www.404manual.com>

<http://www.luxmanual.com>

<http://aubethermostatmanual.com>

Golf course search by state

<http://golfingnear.com>

Email search by domain

<http://emailbydomain.com>

Auto manuals search

<http://auto.somanuals.com>

TV manuals search

<http://tv.somanuals.com>