



MODEL H6140 1/2" TWIN HAMMER AIR IMPACT WRENCH INSTRUCTION SHEET

⚠ WARNING	
	EYE/EAR INJURY HAZARD! Wear safety glasses and hearing protection during use of this tool!
	INJURY HAZARD! Always disconnect tool from air to prevent unexpected operation during service!
	DO NOT EXCEED 150 PSI! Personal injury could occur.
	SHATTERING HAZARD! Use sockets rated for impact wrench use only.



Figure 1. Model H6140

Introduction

Twin hammer design means enough power for the toughest bolts. 1/2" Drive accepts all 1/2" standard and metric sockets. Features include pistol grip with trigger switch, forward/reverse switch, six clutch settings and a 1/4" NPT male quick connect fitting. Sockets not included.

Inventory

- A. 1/2" Twin Hammer Air Impact Wrench..... 1
- B. 1/4" NPT Air Fitting..... 1

Operation

Install any 1/2" drive socket onto your air impact wrench. Choose from clockwise (R) to tighten, or counterclockwise (L) to loosen by pushing the direction valve (**Ref # 16**) in or out. Turn the direction valve knob to 1 to add or to 6 to subtract torque. Operate between 85 to 114 PSI. Draws approximately 3.5 CFM.

The impact wrench **MUST** have 3-4 drops of air tool oil directly dropped into the air fitting before each use. For best results, use the setup shown in **Figure 2**. Add 3-4 drops SAE#30 oil to the ball oil fitting on the back if the tool with daily use.

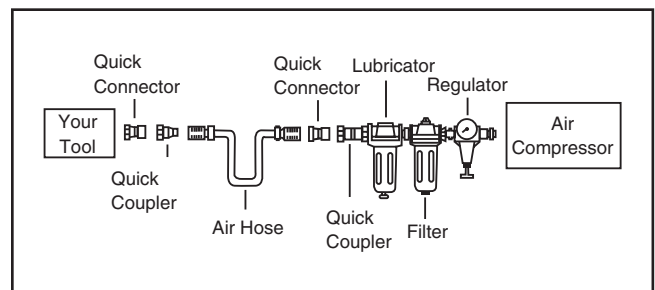
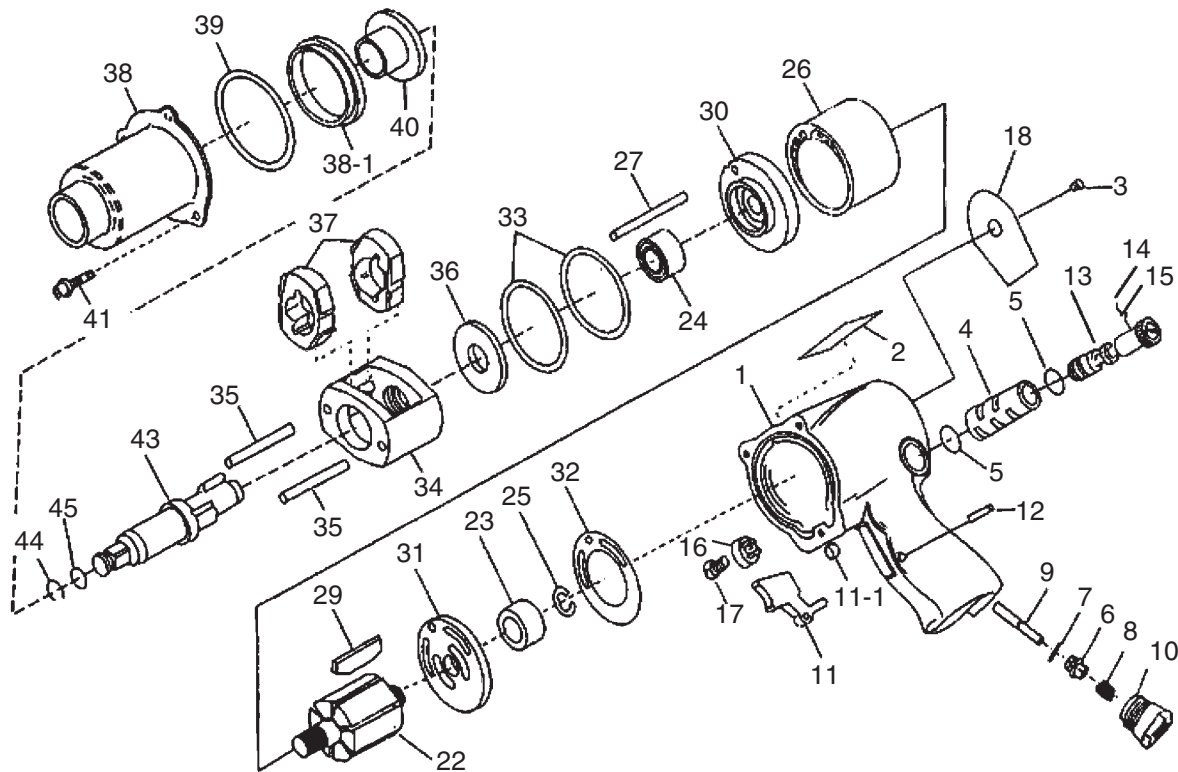


Figure 2. Installing your tool.

If you need help with your new pneumatic tool, call our Tech Support at: (570) 546-9663.

COPYRIGHT © JUNE, 2006 BY GRIZZLY INDUSTRIAL, INC.
WARNING: NO PORTION OF THIS MANUAL MAY BE REPRODUCED IN ANY SHAPE OR FORM WITHOUT THE WRITTEN APPROVAL OF GRIZZLY INDUSTRIAL, INC.
 #PC8328 PRINTED IN CHINA

H6140 Parts Breakdown and List



REF	PART #	DESCRIPTION
1	PH6140001	MOTOR HOUSING
2	PH6140002	WARNING LABEL
3	PH6140003	GREASE FITTING
4	PH6140004	REVERSE VALVE BUSHING
5	PH6140005	REVERSE VALVE BUSHING SEAL
6	PH6140006	THROTTLE VALVE ASSEMBLY
7	PH6140007	THROTTLE VALVE FACE
8	PH6140008	THROTTLE VALVE SPRING
9	PH6140009	THROTTLE VALVE STEM
10	PH6140010	AIR STRAINER ASSEMBLY
11	PH6140011	TRIGGER
11-1	PH6140011-1	PLUG
12	PH6140012	TRIGGER PIN
13	PH6140013	REVERSE VALVE
14	PH6140014	REVERSE VALVE DETENT BALL
15	PH6140015	REVERSE VALVE DETENT SPRING
16	PH6140016	REVERSE VALVE KNOB
17	PH6140017	REVERSE VALVE KNOB SCREW
18	PH6140018	NAMEPLATE
22	PH6140022	ROTOR
23	PH6140023	REAR ROTOR BEARING
24	PH6140024	FRONT ROTOR BEARING

REF	PART #	DESCRIPTION
25	PH6140025	REAR ROTOR BEARING RETAINER
26	PH6140026	CYLINDER
27	PH6140027	CYLINDER DOWEL
29	PH6140029	VANE PACKET
30	PH6140030	FRONT END PLATE
31	PH6140031	REAR END PLATE
32	PH6140032	END PLATE GASKET
33	PH6140033	MOTOR CLAMP WASHER
34	PH6140034	HAMMER FRAME ASSEMBLY
35	PH6140035	HAMMER PIN
36	PH6140036	HAMMER FRAME REAR WASHER
37	PH6140037	HAMMER
38	PH6140038	HAMMER CASE
38-1	PH6140038-1	HAMMER CASE PILOT
39	PH6140039	HAMMER CASE GASKET
40	PH6140040	HAMMER CASE BUSHING
41	PH6140041	HAMMER CASE CAP SCREW
43	PH6140043	ANVIL
44	PH6140044	SOCKET RETAINER
45	PH6140045	RETAINER O-RING
46*	PH6140046	1/4" NPT AIR FITTING

* NOT SHOWN IN PARTS BREAKDOWN

Free Manuals Download Website

<http://myh66.com>

<http://usermanuals.us>

<http://www.somanuals.com>

<http://www.4manuals.cc>

<http://www.manual-lib.com>

<http://www.404manual.com>

<http://www.luxmanual.com>

<http://aubethermostatmanual.com>

Golf course search by state

<http://golfingnear.com>

Email search by domain

<http://emailbydomain.com>

Auto manuals search

<http://auto.somanuals.com>

TV manuals search

<http://tv.somanuals.com>