



MODEL H6187 1/2" INDUSTRIAL IMPACT WRENCH INSTRUCTION SHEET

⚠ WARNING	
	EYE/EAR INJURY HAZARD! Wear safety glasses and hearing protection during use of this tool!
	INJURY HAZARD! Always disconnect tool from air to prevent unexpected operation during service!
	DO NOT EXCEED 150 PSI! Personal injury could occur.
	SHATTERING HAZARD! Use sockets rated for impact wrench use only.



Figure 1. Model H6187

Introduction

- Operates at 90 PSI
- 3.8 CFM air consumption
- 95 dB sound level
- 1/4" NPT air inlet
- 8000 RPM free speed
- 460 ft/lbs maximum torque

Inventory

- A.** 1/2" Industrial Impact Wrench 1

Operation

Install 1/2" drive socket onto your impact wrench. Use only impact wrench sockets. Choose from clockwise (F) to tighten, or counterclockwise (R) to loosen by turning the direction switch (**Ref # 41**). Forward torque can be set from 1-3.

The impact wrench **MUST** have 3-4 drops of air tool oil directly dropped into the air fitting before each use. For best results, use the automatic oiler setup shown in **Figure 2**. Fill the oil chamber with SAE#30 oil before use. Then check every 48 hours of use and refill as needed.

Note: The oil chamber is independent of the air chamber and will not be serviced by the automatic oiler.

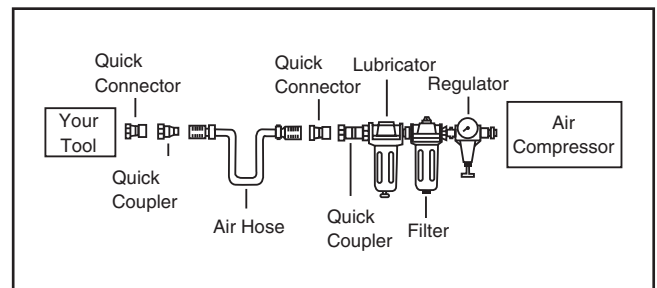
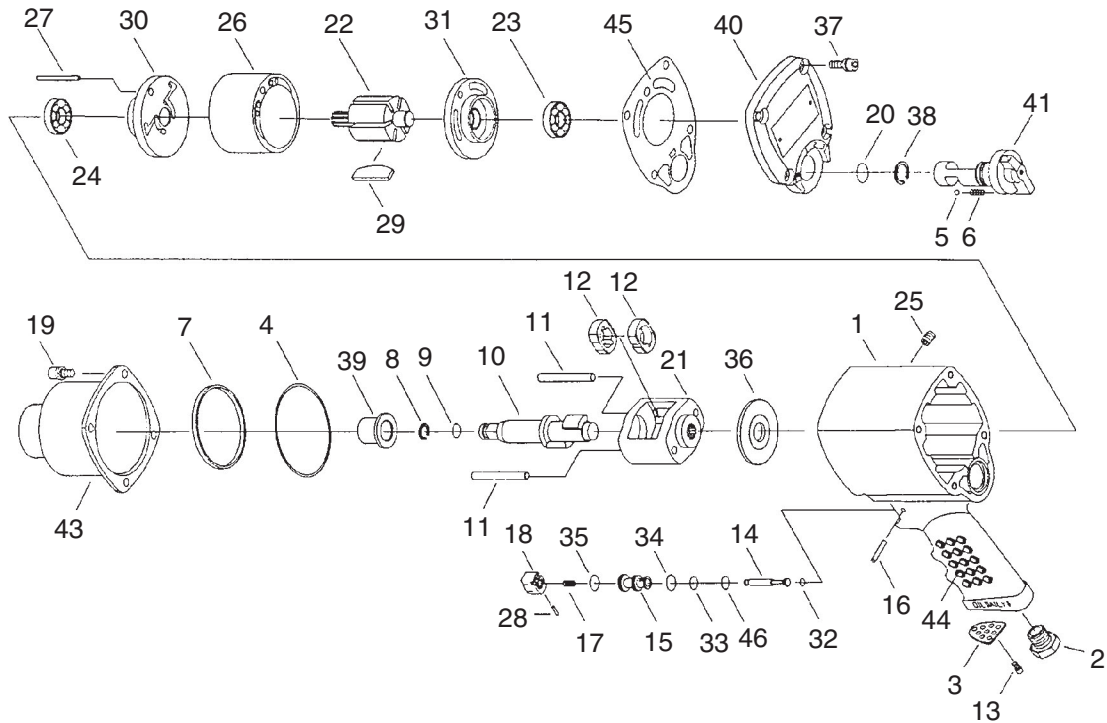


Figure 2. Installing your tool.

If you need help with your new pneumatic tool, call our Tech Support at: (570) 546-9663.

COPYRIGHT © JUNE, 2006 BY GRIZZLY INDUSTRIAL, INC.
WARNING: NO PORTION OF THIS MANUAL MAY BE REPRODUCED IN ANY SHAPE OR FORM WITHOUT THE WRITTEN APPROVAL OF GRIZZLY INDUSTRIAL, INC.
 #PC8337 PRINTED IN TAIWAN

H6187 Parts Breakdown and List



REF	PART #	DESCRIPTION
1	PH6187001	HOUSING VALVE SLEEVE
2	PH6187002	AIR INLET
3	PH6187003	EXHAUST DEFLECTOR
4	PH6187004	O-RING
5	PH6187005	STEEL BALL
6	PH6187006	SPRING
7	PH6187007	HOUSING COVER PILOT
8	PH6187008	ANVIL COLLAR
9	PH6187009	O-RING
10	PH6187010	ANVIL
11	PH6187011	HAMMER PIN
12	PH6187012	HAMMER
13	PH6187013	SCREW
14	PH6187014	VALVE STEM
15	PH6187015	VALVE BUSHING
16	PH6187016	SPRING PIN
17	PH6187017	SPRING
18	PH6187018	TRIGGER
19	PH6187019	SCREW & SPRING WASHER
20	PH6187020	O-RING
21	PH6187021	HAMMER CAGE
22	PH6187022	ROTOR
23	PH6187023	BALL BEARING

REF	PART #	DESCRIPTION
24	PH6187024	BALL BEARING
25	PH6187025	SET SCREW
26	PH6187026	CYLINDER
27	PH6187027	PIN
28	PH6187028	SET SCREW
29	PH6187029	ROTOR BLADE
30	PH6187030	FRONT END PLATE
31	PH6187031	REAR END PLATE
32	PH6187032	O-RING
33	PH6187033	O-RING
34	PH6187034	O-RING
35	PH6187035	O-RING
36	PH6187036	SPACER
37	PH6187037	SCREW & SPRING WASHER
38	PH6187038	INVERTED RETAINING RING
39	PH6187039	BUSHING
40	PH6187040	REAR COVER
41	PH6187041	REGULATOR KNOB
43	PH6187043	HOUSING COVER
44	PH6187044	RUBBER GRIP
45	PH6187045	GASKET
46	PH6187046	O-RING

Free Manuals Download Website

<http://myh66.com>

<http://usermanuals.us>

<http://www.somanuals.com>

<http://www.4manuals.cc>

<http://www.manual-lib.com>

<http://www.404manual.com>

<http://www.luxmanual.com>

<http://aubethermostatmanual.com>

Golf course search by state

<http://golfingnear.com>

Email search by domain

<http://emailbydomain.com>

Auto manuals search

<http://auto.somanuals.com>

TV manuals search

<http://tv.somanuals.com>