



MODEL G8125 3/4" IMPACT WRENCH INSTRUCTION SHEET

⚠ WARNING	
	EYE/EAR INJURY HAZARD! Wear safety glasses and hearing protection when using this tool!
	INJURY HAZARD! Always disconnect tool from air to prevent unexpected operation during service!
	DO NOT EXCEED 120 PSI! Personal injury could occur.
	SHATTERING HAZARD! Use sockets rated for impact wrench use only.

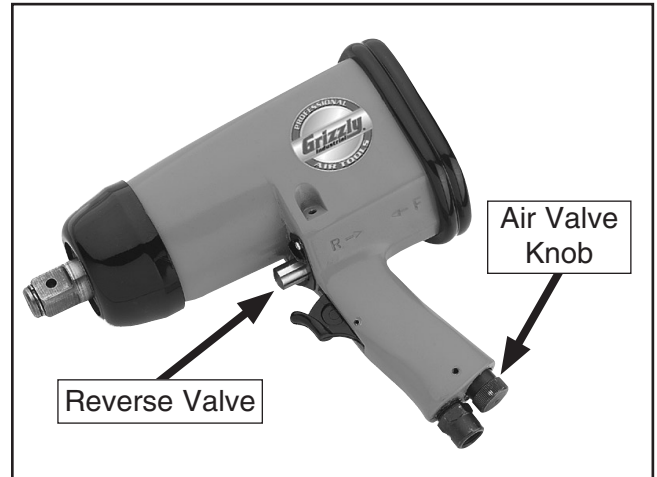


Figure 1. Model G8125

Specifications

Drive Size	3/4"
Bolt Size Capacity	1"
No-Load Speed	4,500 RPM
Maximum Torque	500 ft/lb
Air Inlet Size	3/8" or 1/4" NPT
Air Consumption.....	12 CFM
Operating Pressure	90 PSI
Weight	11 lbs

Operation

Install any 3/4" drive socket onto your air impact wrench. To change direction, push the reverse valve. To adjust the torque setting, turn the air valve knob from 1 to 6, 1 being the lowest setting (Figure 1). Connect to an air line regulated at 90 PSI.

Air Supply

The model G8125 comes with a 3/8"-1/4" NPT adapter. For maximum results, we recommend using a 3/8" air fitting and hose.

The impact wrench **MUST** be regularly lubricated with 3-4 drops of air tool oil directly into the air fitting before each use. For best results, we recommend using an in line filter, lubricator, and regulator, as shown in Figure 2.

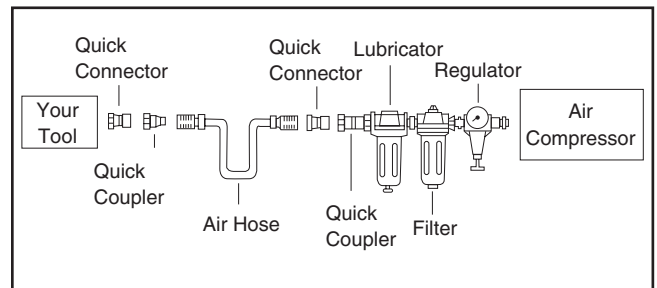
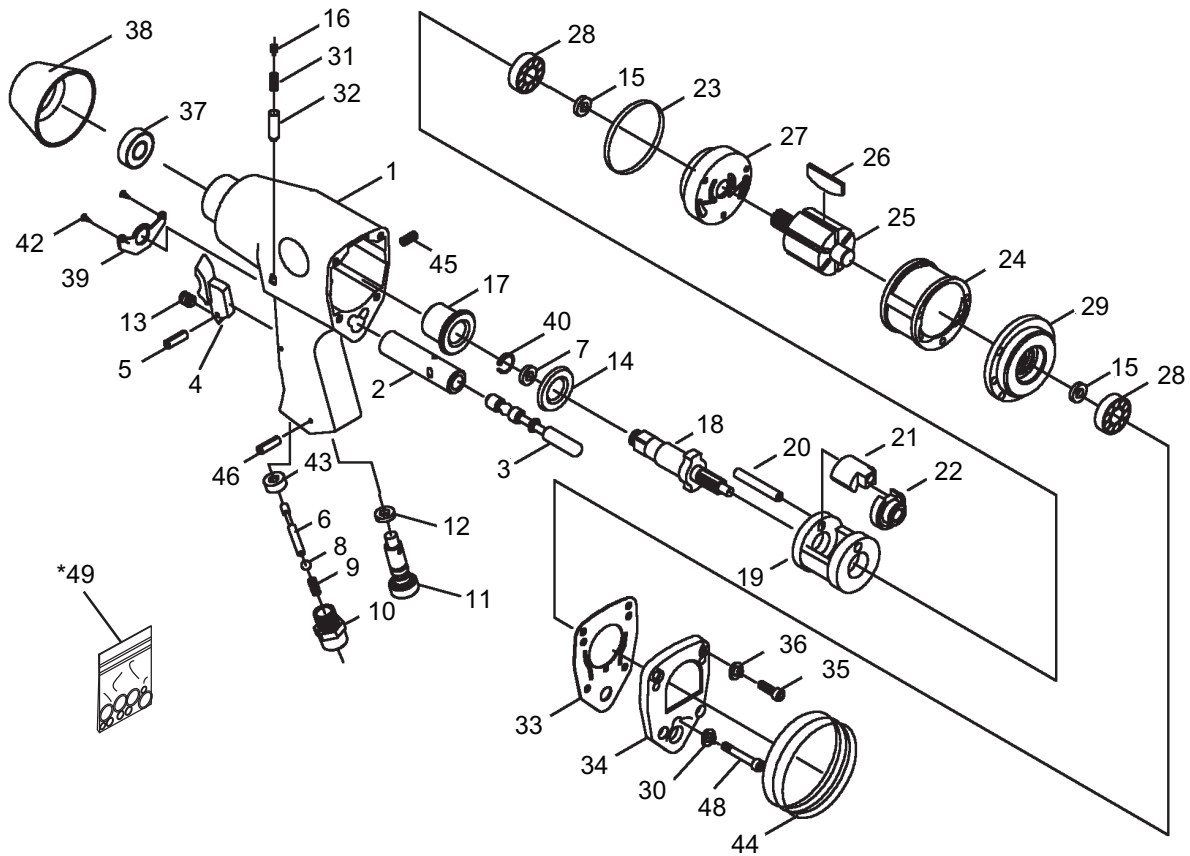


Figure 2. Installing your tool.

If you need help with your new pneumatic tool, call our Tech Support at: (570) 546-9663.

COPYRIGHT © MAY, 2008 BY GRIZZLY INDUSTRIAL, INC.
WARNING: NO PORTION OF THIS MANUAL MAY BE REPRODUCED IN ANY SHAPE OR FORM WITHOUT THE WRITTEN APPROVAL OF GRIZZLY INDUSTRIAL, INC.
 #JM10691 PRINTED IN TAIWAN

G8125 Parts Breakdown and List



REF	PART #	DESCRIPTION
1	P8125001	HOUSING
2	P8125002	VALVE SLEEVE
3	P8125003	REVERSE VALVE
4	P8125004	TRIGGER
5	P8125005	ROLL PIN
6	P8125006	VALVE BUSHING
7	P8125007	O-RING
8	P8125008	STEEL BALL
9	P8125009	COMPRESSION SPRING
10	P8125010	ADAPTER 3/8"-1/4" NPT
11	P8125011	AIR VALVE KNOB
12	P8125012	O-RING
13	P8125013	SET SCREW
14	P8125014	SPACER
15	P8125015	OIL SEAL
16	P8125016	PILOT SET SCREW
17	P8125017	ANVIL BUSHING
18	P8125018	ANVIL DRIVE 3/4"
19	P8125019	HAMMER CAGE
20	P8125020	HAMMER PIN
21	P8125021	HAMMER DOG
22	P8125022	DRIVE CAM
23	P8125023	O-RING
24	P8125024	CYLINDER

REF	PART #	DESCRIPTION
25	P8125025	ROTOR
26	P8125026	ROTOR BLADE
27	P8125027	FRONT PLATE
28	P8125028	BEARING
29	P8125029	REAR PLATE
30	P8125030	WASHER
31	P8125031	COMPRESSION SPRING
32	P8125032	PIN
33	P8125033	REAR GASKET
34	P8125034	REAR COVER
35	P8125035	CAP SCREW
36	P8125036	LOCK WASHER
37	P8125037	OIL SEAL
38	P8125038	FRONT RUBBER
39	P8125039	EXHAUST DEFLECTOR
40	P8125040	ANVIL COLLAR
42	P8125042	PHLP HD SCREW
43	P8125043	RUBBER BUSHING
44	P8125044	REAR RUBBER
45	P8125045	SET SCREW
46	P8125046	ROLL PIN
48	P8125048	SPECIAL CAP SCREW
*49	P8125049	O-RING KIT

* Not Included; for aftermarket purchase only

Free Manuals Download Website

<http://myh66.com>

<http://usermanuals.us>

<http://www.somanuals.com>

<http://www.4manuals.cc>

<http://www.manual-lib.com>

<http://www.404manual.com>

<http://www.luxmanual.com>

<http://aubethermostatmanual.com>

Golf course search by state

<http://golfingnear.com>

Email search by domain

<http://emailbydomain.com>

Auto manuals search

<http://auto.somanuals.com>

TV manuals search

<http://tv.somanuals.com>