



MODEL T10024 ACCESSORY KIT #2 FOR T10010/T10097 WET GRINDER INSTRUCTION SHEET

Introduction

The Model T10024 Accessory Kit #2 for the Model T10010/T10097 Wet Grinder helps sharpen chisels and dress grinding wheels.



Figure 1. T10024 Accessory Kit.

Unpacking

The Model T10024 Accessory Kit was carefully packed when it left our warehouse. If you discover any parts are damaged after you have signed for delivery, *please immediately call Customer Service at (570) 546-9663 for advice.* Save the containers and all packing materials for possible inspection by the carrier or its agent. *Otherwise, filing a freight claim can be difficult.* When you are completely satisfied with the condition of your shipment, you should inventory the contents.

Inventory (Figure 2)

A.	Universal Sharpening Jig	1
B.	Jig Holder	1
C.	Universal Sharpening Jig Knobs	2
D.	Chisel Jig.....	1
E.	Stone Dresser	1

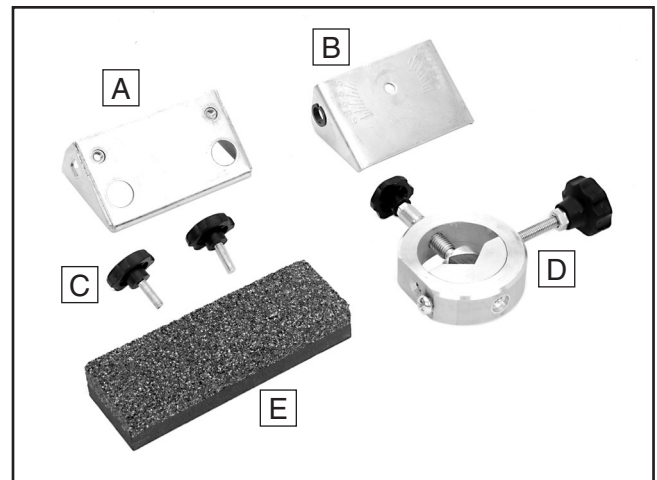


Figure 2. Inventory.

CAUTION

Adhere to all safety warnings outlined in the Model T10010/T10097 Wet Grinder user manual. If you are not familiar with the proper usage of the Model T10010/T10097 Wet Grinder, review the procedures and safety warnings covered in that manual. Failure to do so could result in damage to the machine or personal injury.

COPYRIGHT © NOVEMBER, 2007 BY GRIZZLY INDUSTRIAL, INC. REVISED MAY, 2011 (JB)
**WARNING: NO PORTION OF THIS MANUAL MAY BE REPRODUCED IN ANY SHAPE
OR FORM WITHOUT THE WRITTEN APPROVAL OF GRIZZLY INDUSTRIAL, INC.**
(FOR MODELS MANUFACTURED SINCE 11/07) #JB10089 PRINTED IN CHINA

Operations

Stone Dresser

The stone dresser is used to clean the grinding wheel when it is loaded with metal filings. It can also be used to adjust the grit of the wheel to approximately 220 or 1000.

To use the stone dresser:

1. DISCONNECT GRINDER FROM POWER!
2. Place the universal support in the vertical mounts and position it approximately $\frac{1}{2}$ " above the grinding wheel, then tighten both mounting knobs.
3. Connect the grinder to power and turn it **ON**.
4. Wearing gloves, carefully place the stone dresser against the universal support, then lower it onto the grinding wheel (**Figure 3**).

—If you wish to change the grit of the wheel to approximately 1000 grit, then place the finer-grained surface against the wheel.

—If you wish to clean the surface of the wheel or change the grit back to approximately 220 grit, then place the coarse-grained surface against the wheel.



Figure 3. Stone dresser.

5. Press the stone dresser against the grinding wheel until the desired results are achieved. Turn the grinder **OFF** when complete.

Universal Sharpening Jig

1. DISCONNECT GRINDER FROM POWER!
2. Place the universal support in either the vertical or horizontal mounts, depending on the desired grinding action as described in the Model T10010/T10097 user manual.

Note: *Never place the universal support in the vertical mounts when using the stropping wheel. This will result in sharpening against the rotation direction and will cause damage to the leather wheel.*
3. Slide the universal sharpening jig onto the universal support and thread in the universal sharpening jig knobs as shown in **Figure 4**.

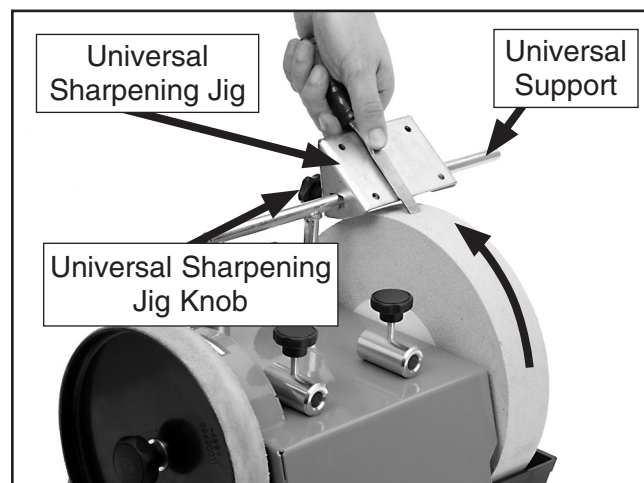


Figure 4. Universal sharpening jig.

4. Adjust the grinding/sharpening angle by raising or lowering the universal support and tilting the universal sharpening jig as needed.
5. When the desired angle is achieved, tighten the four knobs, then connect the grinder to power and turn it **ON**.
6. Place the workpiece onto the universal sharpening jig, as shown in **Figure 4**, then slide it onto the surface of the wheel. Use a firm grip on the workpiece, but do not use heavy pressure against the wheel. Be sure to move the workpiece back and forth across the surface of the wheel while grinding to prevent excessive wheel wear.



The chisel sharpening jig is capable of accurately sharpening a variety of chisels. The jig must be assembled and used differently depending on the tool you are sharpening and the way you want it to be sharpened.

To assemble the jig for beveled chisels:

1. Completely disassemble the chisel sharpening jig as shown in **Figure 5**.



Figure 5. Jig disassembled.

2. Reassemble the jig and the jig holder as shown in **Figure 6**.

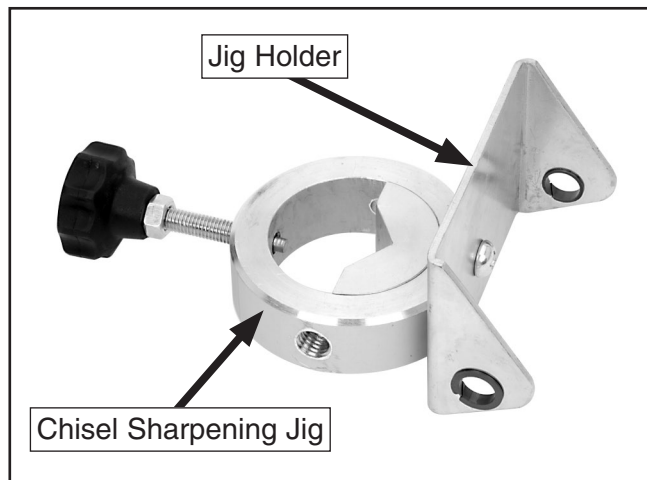


Figure 6. Beveled chisel jig assembled.

To sharpen beveled chisels:

1. **DISCONNECT GRINDER FROM POWER!**
2. Place the universal support in either the vertical or horizontal mounts, depending on the desired grinding action as described in the Model T10010/T10097 owner's manual.

3. Clamp the chisel (bevel-side down) into the jig using the knob, as shown in **Figure 7**. Your exact clamping method may vary slightly depending on your chisel.



Figure 7. Clamping bevel chisel (2-sided bevel).

4. Place the assembled jig onto the universal support, as shown in **Figure 8**.

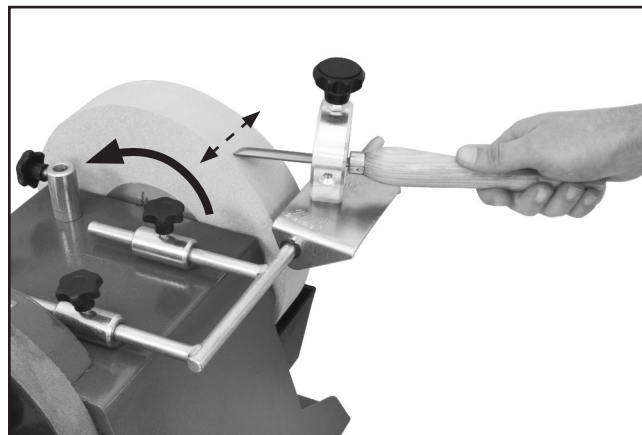


Figure 8. Grinding beveled chisels.

5. Adjust the grinding angle by sliding the universal support in or out and by repositioning the chisel in the jig. Once the desired angle is achieved, tilt the chisel away from the grinding wheel, then connect the grinder to power and turn it **ON**.
6. Return the chisel onto the surface of the wheel. Use a firm grip on the chisel, but do not use heavy pressure against the wheel. Move the chisel back and forth across the surface of the wheel while grinding to prevent excessive or uneven wheel wear.

To assemble the jig for hollow chisels:

1. Completely disassemble the chisel sharpening jig as shown in **Figure 5**.
2. Re-assemble the jig as shown in **Figure 9**.



Figure 9. Hollow chisel jig assembly.

To sharpen hollow chisels:

1. **DISCONNECT GRINDER FROM POWER!**
2. Place the universal support in either the vertical or horizontal mounts, depending on the desired grinding action as described in the Model T10010/T10097 owner's manual.
3. Clamp the chisel (bevel-side down) into the jig, as shown in **Figure 10**. No single clamping method works best for all chisels and only trial-and-error with each specific tool will give the best clamping orientation.

Tip: For narrow chisels, use the chisel pin to secure the chisel, as shown in **Figure 10**.

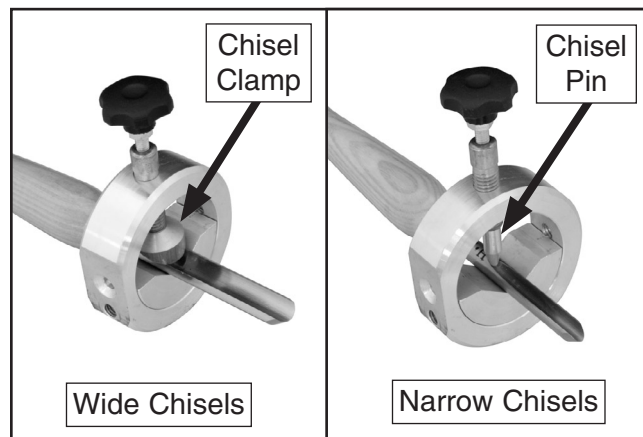


Figure 10. Clamping hollow chisels.

4. Place the assembled jig onto the universal support, as shown in **Figure 11**.

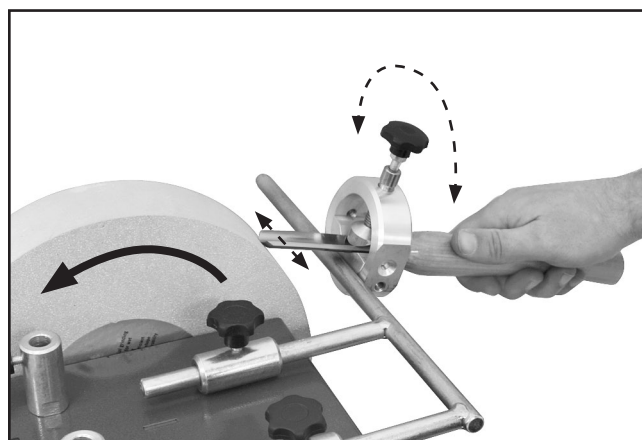
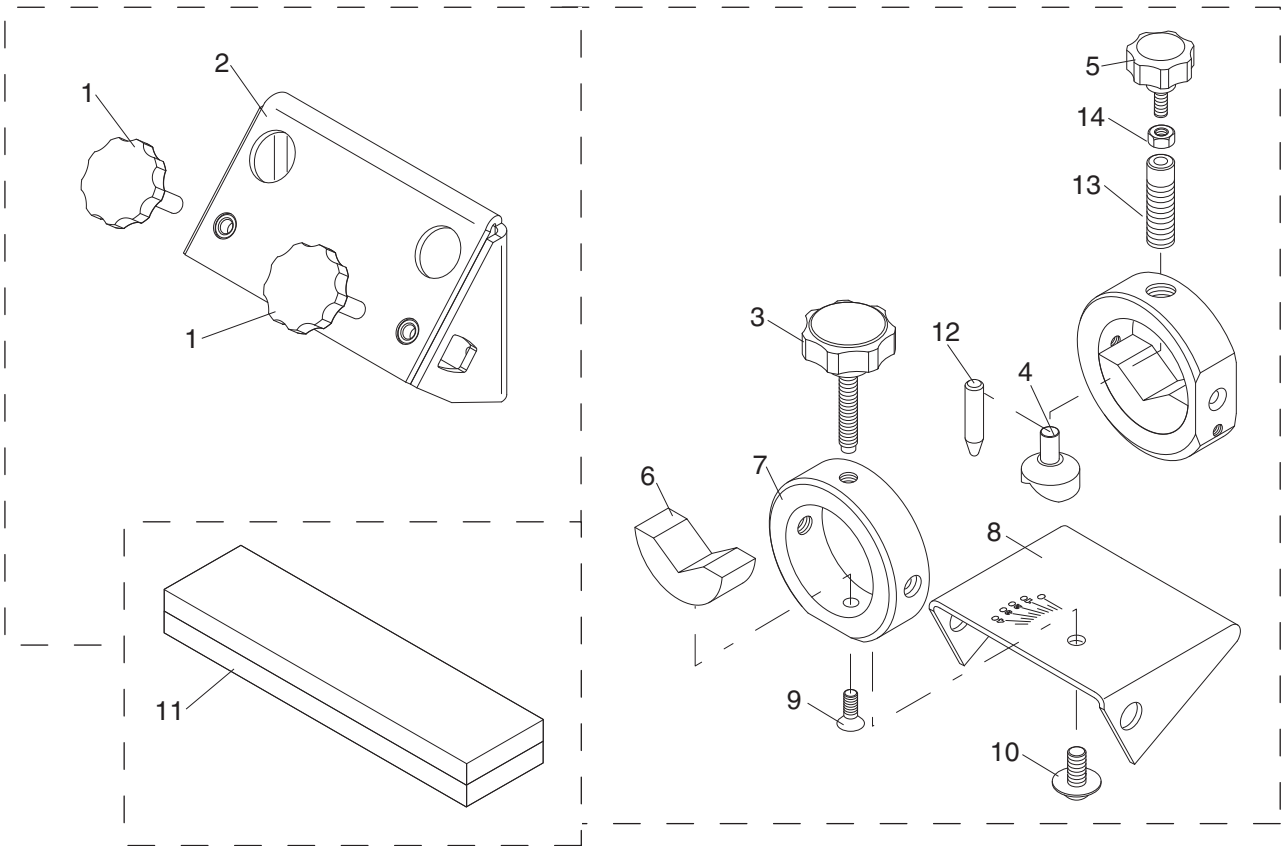


Figure 11. Grinding hollow chisels.

5. Adjust the grinding angle by sliding the universal support and repositioning the chisel in the jig. Once the desired angle is achieved, lift the chisel away from the grinding wheel, then connect the grinder to power and turn it **ON**.
6. Return the chisel onto the surface of the wheel. Use a firm grip on the chisel, but do not use heavy pressure against the wheel. Rotate the chisel to grind the entire edge.



T10024 Parts Breakdown and List



REF	PART #	DESCRIPTION
1	PT10024001	KNOB M6-1 X 20
2	PT10024002	UNIVERSAL JIG
3	PT10024003	KNOB M8-1.25 X 40
4	PT10024004	CHISEL CLAMP
5	PT10010010	KNOB BOLT M6-1 X 16
6	PT10024006	CHISEL BED
7	PT10024007	CHISEL JIG

REF	PART #	DESCRIPTION
8	PT10024008	JIG HOLDER
9	PFH38M	FLAT HD SCR M6-1 X 16
10	PS39M	PHLP HD SCR M8-1.25 X 10
11	PT10024011	STONE DRESSER
12	PT10024012	CHISEL PIN
13	PT10024013	THREADED SLEEVE M12-1.75 X 45
14	PN01M	HEX NUT M6-1

grizzly.com[®]

TOOL WEBSITE

Buy Direct and Save with Grizzly[®] – Trusted, Proven and a Great Value!
~Since 1983~

*Visit Our Website Today For
Current Specials!*

**ORDER
24 HOURS A DAY!
1-800-523-4777**



Free Manuals Download Website

<http://myh66.com>

<http://usermanuals.us>

<http://www.somanuals.com>

<http://www.4manuals.cc>

<http://www.manual-lib.com>

<http://www.404manual.com>

<http://www.luxmanual.com>

<http://aubethermostatmanual.com>

Golf course search by state

<http://golfingnear.com>

Email search by domain

<http://emailbydomain.com>

Auto manuals search

<http://auto.somanuals.com>

TV manuals search

<http://tv.somanuals.com>