



MODEL H6193 1/4" INDUSTRIAL DIE GRINDER INSTRUCTION SHEET





⚠ WARNING	
	EYE/EAR INJURY HAZARD! Wear safety glasses and hearing protection during use of this tool!
	INJURY HAZARD! Always disconnect tool from air to prevent unexpected operation during service!
	EXPLOSION HAZARD! Never exceed 90 PSI! Always use accessories with correct speed rating.
	RESPIRATORY HAZARD! Grinding produces fine dust. Wear the appropriate protection during use!



Figure 1. Model H6193.

Die Grinder **MUST** have 3-4 drops of oil directly dropped into the air fitting before each use as shown in **Figure 2**.

Introduction

No load speed is 22,000 RPM and collet size is 1/4". Requires a maximum of 90 PSI with a minimum of 4 CFM compressor capacity. Air inlet is 1/4" and air exhaust is in the front. Weighs 1.2 lbs.

Inventory

- A. Die Grinder 1
- B. Wrenches 2

Operation

Insert your 1/4" shank tool into the collet. Using the two wrenches, secure tool by tightening the collet against the spindle.

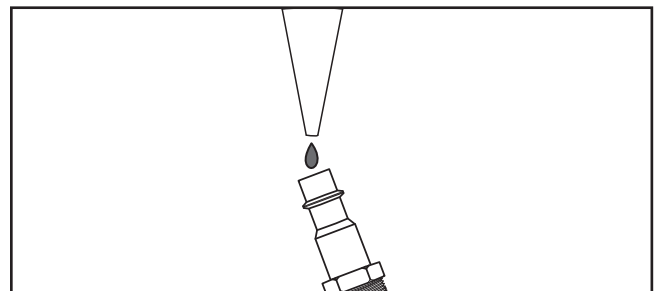
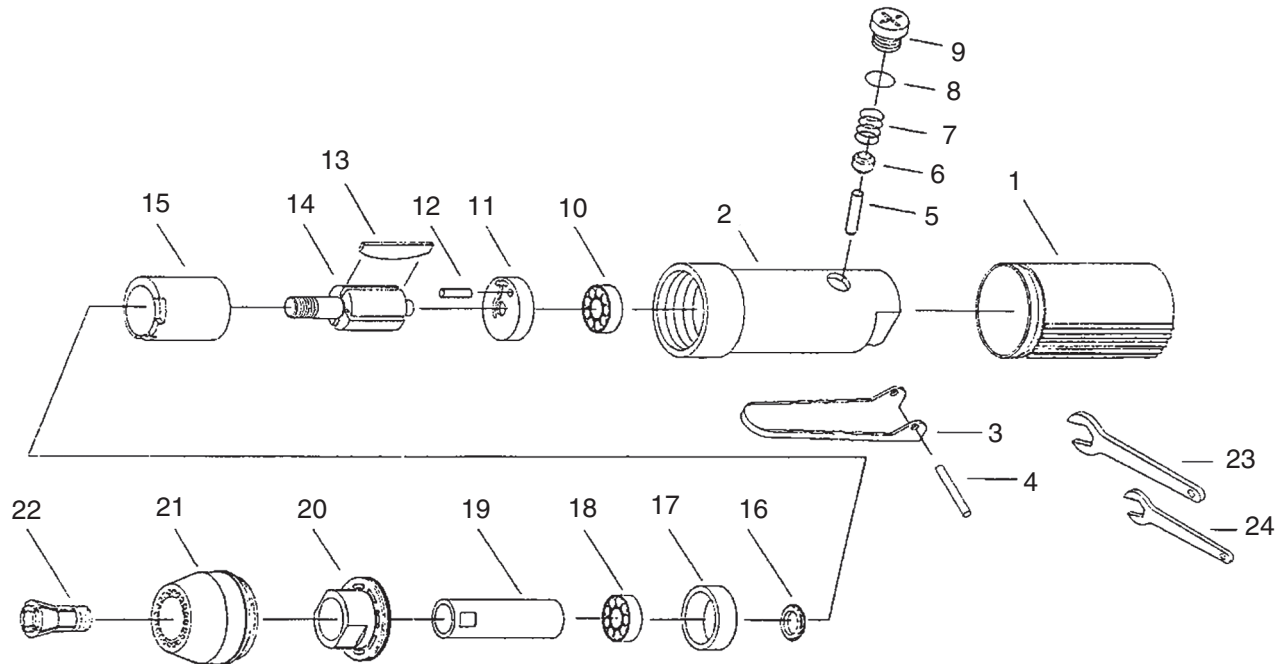


Figure 2. Lubricating directly into air fitting.

If you need help with your new pneumatic tool, call our Tech Support at: (570) 546-9663.

COPYRIGHT © FEBRUARY, 2006 BY GRIZZLY INDUSTRIAL, INC. REVISED SEPTEMBER, 2009 (BL)
WARNING: NO PORTION OF THIS MANUAL MAY BE REPRODUCED IN ANY SHAPE OR FORM WITHOUT THE WRITTEN APPROVAL OF GRIZZLY INDUSTRIAL, INC.
 #PC8031 PRINTED IN TAIWAN

H6193 Parts Breakdown and List



REF	PART #	DESCRIPTION
1	PH6193001	HOUSING COVER
2	PH6193002	HOUSING
3	PH6193003	THROTTLE LEVER
4	PH6193004	LEVER PIN
5	PH6193005	VALVE PIN
6	PH6193006	VALVE
7	PH6193007	COMPRESSION SPRING
8	PH6193008	O-RING
9	PH6193009	VALVE CAP
10	PH6193010	BALL BEARING
11	PH6193011	REAR END PLATE
12	PH6193012	PIN

REF	PART #	DESCRIPTION
13	PH6193013	ROTOR BLADE
14	PH6193014	ROTOR
15	PH6193015	CYLINDER
16	PH6193016	BEARING SPACER
17	PH6193017	FRONT END PLATE
18	PH6193018	BEARING
19	PH6193019	SPINDLE
20	PH6193020	RETAINER
21	PH6193021	HOUSING CAP
22	PH6193022	COLLET
23	PH6193023	WRENCH 12MM
24	PH6193024	WRENCH 11MM

Free Manuals Download Website

<http://myh66.com>

<http://usermanuals.us>

<http://www.somanuals.com>

<http://www.4manuals.cc>

<http://www.manual-lib.com>

<http://www.404manual.com>

<http://www.luxmanual.com>

<http://aubethermostatmanual.com>

Golf course search by state

<http://golfingnear.com>

Email search by domain

<http://emailbydomain.com>

Auto manuals search

<http://auto.somanuals.com>

TV manuals search

<http://tv.somanuals.com>