

# Grizzly<sup>®</sup>

*Industrial, Inc.*

## CORDLESS MINI GRINDER

MODEL H6156

## INSTRUCTION MANUAL



COPYRIGHT © JULY, 2004 BY GRIZZLY INDUSTRIAL, INC. REVISED FEBRUARY, 2005 (TR)  
WARNING: NO PORTION OF THIS MANUAL MAY BE REPRODUCED IN ANY SHAPE  
OR FORM WITHOUT THE WRITTEN APPROVAL OF GRIZZLY INDUSTRIAL, INC.  
#EW6404 PRINTED IN CHINA

# WARNING

Some dust created by power sanding, sawing, grinding, drilling, and other construction activities contains chemicals known to the State of California to cause cancer, birth defects or other reproductive harm. Some examples of these chemicals are:

- Lead from lead-based paints.
- Crystalline silica from bricks, cement, and other masonry products.
- Arsenic and chromium from chemically treated lumber.

Your risk from these exposures varies, depending on how often you do this type of work. To reduce your exposure to these chemicals: work in a well ventilated area, and work with approved safety equipment, such as those dust masks that are specially designed to filter out microscopic particles.

# SAFETY

## **WARNING**

### **For Your Own Safety Read Instruction Manual Before Operating This Equipment**

The purpose of safety symbols is to attract your attention to possible hazardous conditions. This manual uses a series of symbols and signal words which are intended to convey the level of importance of the safety messages. The progression of symbols is described below. Remember that safety messages by themselves do not eliminate danger and are not a substitute for proper accident prevention measures.

#### **DANGER**

Indicates an imminently hazardous situation which, if not avoided, WILL result in death or serious injury.

#### **WARNING**

Indicates a potentially hazardous situation which, if not avoided, COULD result in death or serious injury.

#### **CAUTION**

Indicates a potentially hazardous situation which, if not avoided, MAY result in minor or moderate injury. It may also be used to alert against unsafe practices.

#### **NOTICE**

This symbol is used to alert the user to useful information about proper operation of the equipment.

## **WARNING**

### **Safety Instructions For Power Tools**

- KEEP ALL SAFETY DEVICES IN PLACE** and in working order.
- REMOVE ADJUSTING KEYS AND WRENCHES.** Form habit of checking to see that keys and adjusting wrenches are removed from tool before turning on.
- KEEP WORK AREA CLEAN.** Cluttered areas and benches invite accidents.
- DON'T USE IN DANGEROUS ENVIRONMENT.** Don't use power tools in damp or wet locations, or where any flammable or noxious fumes may exist. Keep work area well lighted.
- KEEP CHILDREN AND VISITORS AWAY.** All children and visitors should be kept at a safe distance from work area.
- MAKE WORK SHOP CHILD PROOF** with padlocks, master switches, or by removing starter keys.
- DON'T FORCE TOOL.** It will do the job better and safer at the rate for which it was designed.
- USE RIGHT TOOL.** Don't force tool or attachment to do a job for which it was not designed.

# WARNING

## Safety Instructions For Power Tools

- 9. USE PROPER EXTENSION CORD** for the tool. Make sure your extension cord is in good condition. Conductor size should be in accordance with the chart below. The amperage rating should be listed on the motor or tool nameplate. An undersized cord will cause a drop in line voltage resulting in loss of power and overheating. Your extension cord must also contain a ground wire and plug pin. Always repair or replace extension cords if they become damaged.

### Minimum Gauge for Extension Cords

AMP RATING	LENGTH		
	25ft	50ft	100ft
0-6	18	16	16
7-10	18	16	14
11-12	16	16	14
13-16	14	12	12
17-20	12	12	10
21-30	10	10	No

- 10. WEAR PROPER APPAREL.** Do not wear loose clothing, gloves, neckties, rings, bracelets, or other jewelry which may get caught in moving parts. Non-slip footwear is recommended. Wear protective hair covering to contain long hair.
- 11. ALWAYS USE SAFETY GLASSES.** Everyday eyeglasses only have impact resistant lenses, they are NOT safety glasses.
- 12. SECURE WORK.** Use clamps or a vise to hold work when practical. It's safer than using your hand and frees both hands to operate tool.
- 13. DON'T OVERREACH.** Keep proper footing and balance at all times.
- 14. MAINTAIN TOOLS WITH CARE.** Keep tools sharp and clean for best and safest performance. Follow instructions for lubricating and changing accessories.
- 15. DISCONNECT TOOLS** before servicing and changing accessories, such as blades, bits, cutters, and the like.
- 16. REDUCE THE RISK OF UNINTENTIONAL STARTING.** Make sure switch is in off position before plugging in.
- 17. USE RECOMMENDED ACCESSORIES.** Consult the owner's manual for recommended accessories. The use of improper accessories may cause risk of injury.
- 18. CHECK DAMAGED PARTS.** Before further use of the tool, a guard or other part that is damaged should be carefully checked to determine that it will operate properly and perform its intended function. Check for alignment of moving parts, binding of moving parts, breakage of parts, mounting, and any other conditions that may affect its operation. A guard or other part that is damaged should be properly repaired or replaced.

# **WARNING**

## **Additional Safety Instructions for this Cordless Mini Grinder**

1. **READ THIS MANUAL.** This manual contains proper operating instructions for this machine.
2. **DO NOT** jam the grinder against the workpiece. Firmly grasp the grinder and ease it against the workpiece using light pressure.
3. **DO NOT** wear loose clothing while operating this machine. Roll up or button sleeves at the cuff.
4. **DO NOT** place hands near, or in contact with, mini grinder during operation.
5. **GRIP THE WORKPIECE FIRMLY.**
6. **NEVER** leave the machine running unattended.
7. **REPLACE** grinding disks or sanding sleeves when worn.
8. **NEVER** work on more than one item at a time.
9. **ALWAYS** disconnect the machine from the power source before changing grinding disks, sanding sleeves, or tool bits
10. **ALWAYS** test run the machine before starting any work.
11. **DO NOT** use the flex shaft with a tight bend. This may cause binding and damage the inner spindle.
12. **CLAMP THE WORKPIECE.** DO NOT hold the workpiece with one hand and operate the mini grinder with the other.
13. **DO NOT** charge battery when the battery charger is on a flammable surface. There is a risk of fire.
14. **KEEP BATTERIES AWAY FROM METAL OBJECTS** to prevent terminals from shorting.

# **WARNING**



Operating this mini grinder can propel objects into the air, causing immediate eye damage. To protect yourself, always wear American National Standards Institute (ANSI) approved safety glasses or goggles when operating this equipment.

# **CAUTION**

No list of safety guidelines can be complete. Every shop environment is different. Always consider safety first, as it applies to your individual working conditions. Use this and other machinery with caution and respect. Failure to do so could result in serious personal injury, damage to equipment or poor work results.

# INTRODUCTION

## Foreword

We are proud to offer the Grizzly Model H6156 Cordless Mini Grinder. This model is part of a growing Grizzly family of fine power tools. When used according to the guidelines set forth in this manual, you can expect years of trouble-free, enjoyable operation and proof of Grizzly's commitment to customer satisfaction.

The Model H6156 features a 5,000–25,000 RPM variable speed with an assortment of  $\frac{1}{8}$ " buffs, sanding disks and drums, grinding stones, and drill bits, and it also includes a flashlight base.

It is our pleasure to provide this manual with the Model H6156. It was written to encourage safety considerations and guide you through general operating procedures and maintenance. This manual represents our effort to produce the best documentation possible.

The specifications, details, and photographs in this manual represent the Model H6156 as supplied when the manual was prepared. However, owing to Grizzly's policy of continuous improvement, changes may be made at any time with no obligation on the part of Grizzly.

## Contact Info

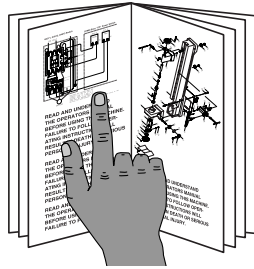
If you have any comments regarding this manual, please write to us at the following address:

Grizzly Industrial, Inc.  
C/O Technical Documentation  
P.O. Box 2069  
Bellingham, WA 98227-2069

Most importantly, we stand behind our tools. If you have any service questions or parts requests, please call or write us at the location listed below.

Grizzly Industrial, Inc.  
1203 Lycoming Mall Circle  
Muncy, PA 17756  
Phone: (570) 546-9663  
Fax: (800) 438-5901  
E-Mail: [techsupport@grizzly.com](mailto:techsupport@grizzly.com)  
Web Site: <http://www.grizzly.com>

## ! WARNING



**Read the manual before operation. Become familiar with this machine, its safety instructions, and its operation before beginning any work. Serious personal injury may result if safety or operational information is not understood or followed.**

# INVENTORY

The set up and operation instructions will be easier to understand if you are familiar with the components of the Model H6156 Cordless Mini Grinder. Match up the list below with the letters in **Figure 1** to identify the components.



**Figure 1.** Model H6156 inventory.

<b>A.</b>	Tool Case
<b>B.</b>	Battery Charger
<b>C.</b>	Battery
<b>D.</b>	Cordless Mini Grinder

<b>E.</b>	Tool Assortment
<b>F.</b>	Flashlight Base
<b>G.</b>	Sanding Drum/Disk Assortment

# OPERATIONS

## Charging the Battery

The Model H6156 is not shipped fully charged. It will have to be charged for 3 hours before use. **DO NOT charge longer than this or damage to the battery may occur!**

To charge the battery:

1. Remove the battery from the mini grinder.
2. Insert the battery into the charger as shown in **Figure 2**.



**Figure 2.** Charging the battery.

3. Plug charger into power source and allow the battery to charge for 6 hours. The green light indicates the battery is charging.
4. Replace battery in mini grinder before operation.

## Installing Bits

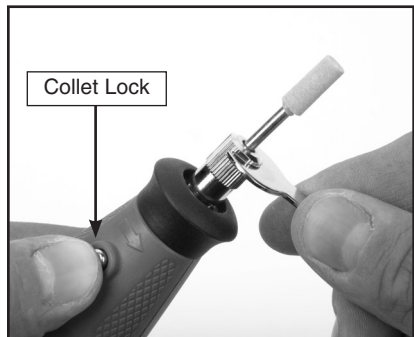
The Model H6156 uses bits and cutters with an 1/8" diameter shaft. See the Grizzly catalog or website for a complete listing of available bits and accessories.

### **WARNING**

**DO NOT use bits or cutters with a cutting surface larger than 1". The bit could break apart under the stresses of high speed use causing serious personal injury.**

To install a bit:

1. **Unplug the tool from the power source!**
2. Depress the collet lock shown in **Figure 3** and loosen the collet nut. The collet lock will engage during rotation, preventing further rotation of the collet nut. *DO NOT completely remove the collet nut from the shaft.*



**Figure 3.** Collet lock.



3. Insert the end of a bit into the collet. At least  $\frac{1}{2}$ " of the bit shaft should be mounted into the end of the collet.
4. Rotate the collet nut while depressing the collet lock to secure the bit. *Only tighten 1/3 of a turn with the collet wrench.*

## **WARNING**

**Failure to wear safety glasses while operating the grinder could cause serious personal eye injury.**

### **Using The Grinder**

The Model H6156 is best suited for high RPM, low torque applications.

Always test the bit and RPM combination on a scrap piece of material similar to the workpiece. Trial and error is the best way to determine the ideal setup.

#### **To use the grinder:**

1. Grasp the grinder with a secure grip.
2. Rotate the speed lever to turn *ON* the mini grinder.
3. Adjust the speed lever to change the RPM.
4. Firmly grasp the grinder and ease it against the workpiece using light pressure.

#### **High RPM Uses**

High RPM's are best for general carving, cutting, routing, and grinding. The grinder remove material quicker at faster RPM's.

#### **Low RPM Uses**

Low RPM's are best for grinding and cutting materials that have low melting points. Plastics in particular often melt from the heat generated by high speed bits. Low RPM's are also best for polishing and buffing with the felt accessories included.

## **WARNING**

**Use low RPM settings when working with plastics or other materials with low melting points. Melted plastics can liquefy, be thrown into the air, and stick to the operator, causing serious personal injury.**

## Installing the Flashlight Base

The flashlight base will give you the extra light that you need in low light situations.

### To install the flashlight base:

1. **Unplug the tool from power!**
2. Remove the collet shield.
3. Screw the flashlight base onto the mini grinder in place of the collet shield.
4. Turn the flashlight base *ON/OFF* with the small switch on the face of the flashlight base as shown in **Figure 4**.



**Figure 4.** Flashlight base.

## Daily Maintenance

These items should be done after each use.

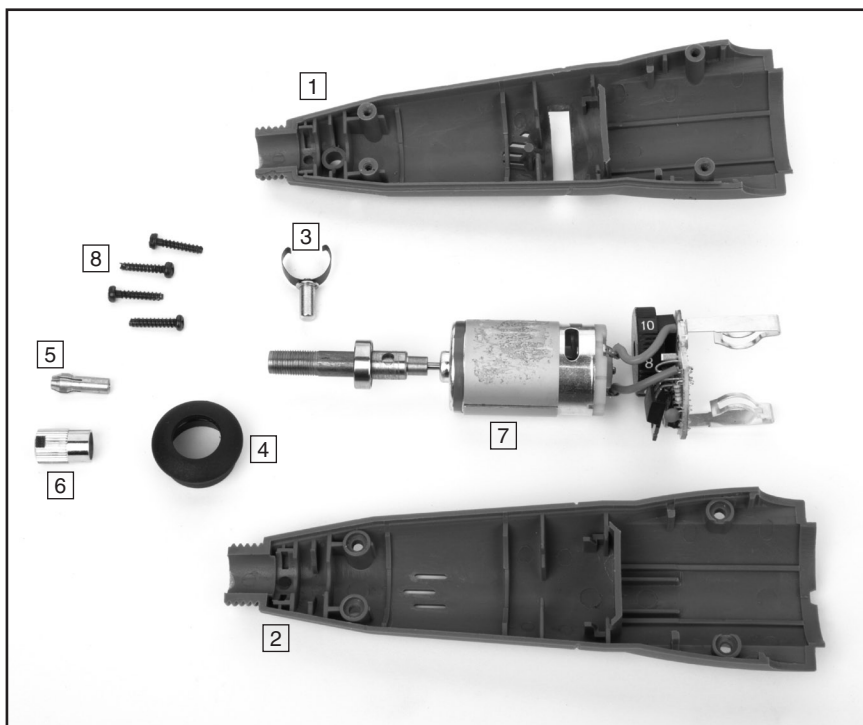
1. Wipe the motor housing and tool bits with a dry cloth or blow off dust and debris with compressed air.
2. Check for damage to bits, cords, or the housing.

# NOTES

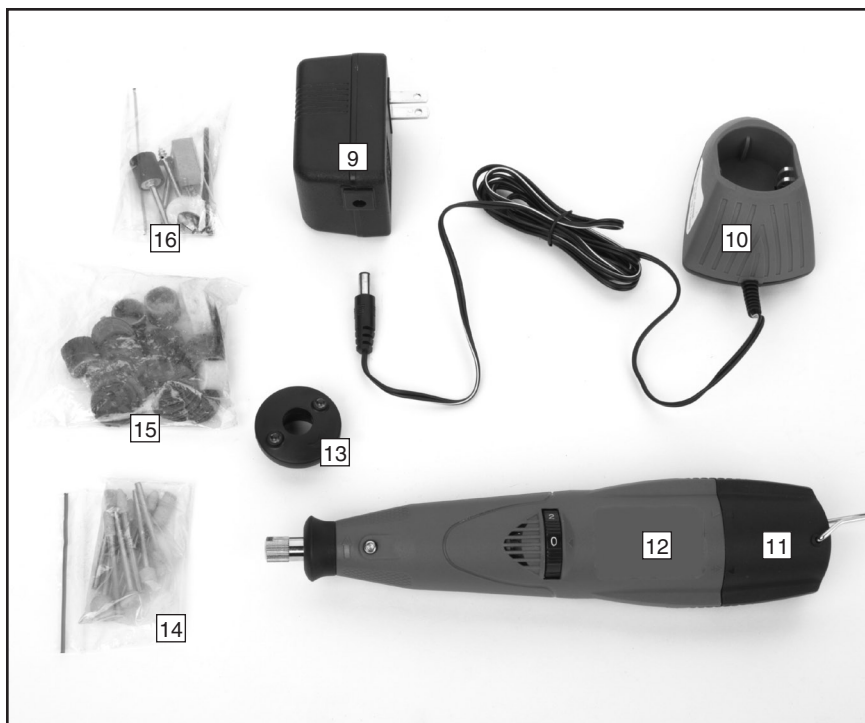
---

---

# H6156 Cordless Mini Grinder Parts Breakdown



REF	PART #	DESCRIPTION
1	PH6156001	UPPER HOUSING
2	PH6156002	LOWER HOUSING
3	PH6156003	COLLET LOCK
4	PH6156004	COLLET SHIELD
5	PH6156005	COLLET
6	PH6156006	COLLET NUT
7	PH6156007	ARMATURE
8	PHTEK3	TAP SCREW #5 X 1/2



REF	PART #	DESCRIPTION
9	PH6156009	A/C ADAPTOR
10	PH6156010	BATTERY CHARGER
11	PH6156011	BATTERY
12	PH6156012	MINI GRINDER
13	PH6156013	FLASHLIGHT BASE
14	PH6156014	TOOL ASSORTMENT BAG
15	PH6156015	SANDING ASSORTMENT BAG
16	PH6156016	TOOL BIT ASSORTMENT BAG

# WARRANTY AND RETURNS

---

---

Grizzly Industrial, Inc. warrants every product it sells for a period of **1 year** to the original purchaser from the date of purchase. This warranty does not apply to defects due directly or indirectly to misuse, abuse, negligence, accidents, repairs or alterations or lack of maintenance. This is Grizzly's sole written warranty and any and all warranties that may be implied by law, including any merchantability or fitness, for any particular purpose, are hereby limited to the duration of this written warranty. We do not warrant or represent that the merchandise complies with the provisions of any law or acts unless the manufacturer so warrants. In no event shall Grizzly's liability under this warranty exceed the purchase price paid for the product and any legal actions brought against Grizzly shall be tried in the State of Washington, County of Whatcom.

We shall in no event be liable for death, injuries to persons or property or for incidental, contingent, special, or consequential damages arising from the use of our products.

To take advantage of this warranty, contact us by mail or phone and give us all the details. We will then issue you a "Return Authorization Number," which must be clearly posted on the outside as well as the inside of the carton. We will not accept any item back without this number. Proof of purchase must accompany the merchandise.

The manufacturers reserve the right to change specifications at any time because they constantly strive to achieve better quality equipment. We make every effort to ensure that our products meet high quality and durability standards and we hope you never need to use this warranty.

Please feel free to write or call us if you have any questions about the machine or the manual.

**Grizzly Industrial, Inc.**  
**1203 Lycoming Mall Circle**  
**Muncy, PA 17756**  
**Phone: (570) 546-9663**  
**Fax: (800) 438-5901**

**E-Mail:**  
**techsupport@grizzly.com**

**Web Site: <http://www.grizzly.com>**

Thank you again for your business and continued support. We hope to serve you again soon!

# WARRANTY CARD

Name \_\_\_\_\_

Street \_\_\_\_\_

City \_\_\_\_\_ State \_\_\_\_\_ Zip \_\_\_\_\_

Phone Number \_\_\_\_\_ E-Mail \_\_\_\_\_ Serial # \_\_\_\_\_

Model # \_\_\_\_\_ Serial# \_\_\_\_\_ Order # \_\_\_\_\_

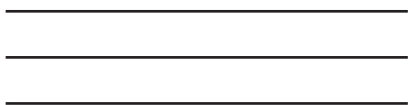
The following information is given on a voluntary basis. It will be used for marketing purposes to help us develop better products and services. Of course, all information is strictly confidential.

- How did you learn about us?  
 Advertisement       Friend  
 Catalog               Card Deck  
 World Wide Web  
 Other \_\_\_\_\_
- What is your annual household income?  
 \$20,000-\$29,999     \$60,000-\$69,999  
 \$30,000-\$39,999     \$70,000-\$79,999  
 \$40,000-\$49,999     \$80,000-\$89,999  
 \$50,000-\$59,999     \$90,000 +
- What is your age group?  
 20-29                       50-59  
 30-39                       60-69  
 40-49                       70 +
- How long have you been a woodworker?  
 0 - 2 Years               8 - 20 Years  
 2 - 8 Years               20+ Years
- How would you rank your woodworking skills?  
 Simple                       Advanced  
 Intermediate               Master Craftsman
- What stationary woodworking tools do you own?  
Check all that apply.  
 Air Compressor       Panel Saw  
 Band Saw                 Planer  
 Drill Press               Power Feeder  
 Drum Sander             Radial Arm Saw  
 Dust Collector         Shaper  
 Spindle Sander         Jointer  
 Table Saw                 Lathe  
 Mortiser                 Wide Belt Sander  
 Horiz.Boring Machine  
 Vacuum Veneer Press  
 Other \_\_\_\_\_
- How many of your woodworking machines are Grizzly? \_\_\_\_\_
- Which benchtop tools do you own? Check all that apply.  
 1"x42" Belt Sander     6" - 8" Grinder  
 5" - 8" Drill Press     Mini Lathe  
 8" Table Saw             8" - 10" Bandsaw  
 Scroll Saw                 Disc/Belt Sander  
 Spindle/Belt Sander  Mini Jointer  
 10"-12"Thickness Planer  
 Other \_\_\_\_\_
- How many of the machines checked above are Grizzly? \_\_\_\_\_
- Which portable/hand held power tools do you own? Check all that apply.  
 Belt Sander               Orbital Sander  
 Biscuit Joiner         Palm Sander  
 Circular Saw             Portable Planer  
 Detail Sander          Saber Saw  
 Drill/Driver             Reciprocating Saw  
 Miter Saw                Router  
 Other \_\_\_\_\_
- What machines/supplies would you like Grizzly Industrial to carry?  
\_\_\_\_\_  
\_\_\_\_\_  
\_\_\_\_\_
- What new accessories would you like Grizzly Industrial to carry?  
\_\_\_\_\_  
\_\_\_\_\_  
\_\_\_\_\_
- What other companies do you purchase your tools and supplies from?  
\_\_\_\_\_  
\_\_\_\_\_  
\_\_\_\_\_
- Do you think your purchase represents good value?  
 Yes                       No
- Would you recommend Grizzly to a friend?  
 Yes                       No
- Would you allow us to use your name as a reference for Grizzly customers in your area? **Note: We never use names more than three times.**  
 Yes                       No
- Comments: \_\_\_\_\_  
\_\_\_\_\_  
\_\_\_\_\_

Send a Grizzly Catalog to a friend:

Name _____
Street _____
City _____ State _____ Zip _____

FOLD ALONG DOTTED LINE



Place  
Stamp  
Here



GRIZZLY INDUSTRIAL, INC.  
P.O. BOX 2069  
BELLINGHAM, WA 98227-2069



TAPE ALONG EDGES--PLEASE DO NOT STAPLE



## Free Manuals Download Website

<http://myh66.com>

<http://usermanuals.us>

<http://www.somanuals.com>

<http://www.4manuals.cc>

<http://www.manual-lib.com>

<http://www.404manual.com>

<http://www.luxmanual.com>

<http://aubethermostatmanual.com>

Golf course search by state

<http://golfingnear.com>

Email search by domain

<http://emailbydomain.com>

Auto manuals search

<http://auto.somanuals.com>

TV manuals search

<http://tv.somanuals.com>