



# MODEL H3172 MINI DIE GRINDER KIT INSTRUCTION SHEET

<b>⚠ WARNING</b>	
	<b>EYE/EAR INJURY HAZARD!</b> Wear safety glasses and hearing protection during use of this tool!
	<b>INJURY HAZARD!</b> Always disconnect tool from air to prevent unexpected operation during service!
	<b>EXPLOSION HAZARD!</b> Never exceed 90 PSI! Only use stones rated for 21,000 RPM or less!
	<b>RESPIRATORY HAZARD!</b> Grinding produces fine dust. Wear the appropriate protection during use!



Figure 1. Model H3172.

Die Grinder MUST have 3-4 drops of oil directly dropped into the air fitting before each use as shown in **Figure 2**.

## Introduction

This mini air die grinder kit with 1/4" NPT inlet includes 1/8" and 1/4" collets, collet wrenches and five grinding stones. Grinding stones include ball, cylindrical and tapered shapes. It has a no load speed of 21,000 RPM.

## Inventory

- A. Die Grinder ..... 1
- B. Wrenches ..... 2
- C. Collet ..... 1
- D. Stones ..... 5

## Operation

Insert your 1/4" shank into the collet. Using the two wrenches, secure tool by tightening the collet nut against the rotor shaft. To change collets, remove the collet nut, replace collet and tighten collet nut.

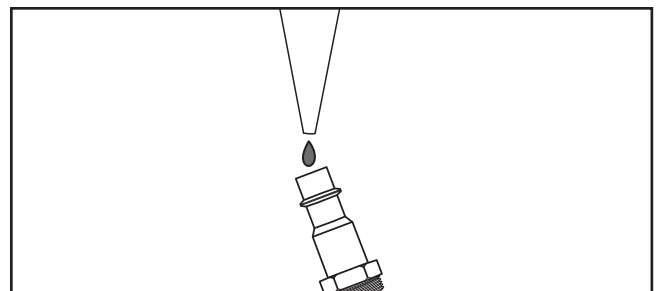
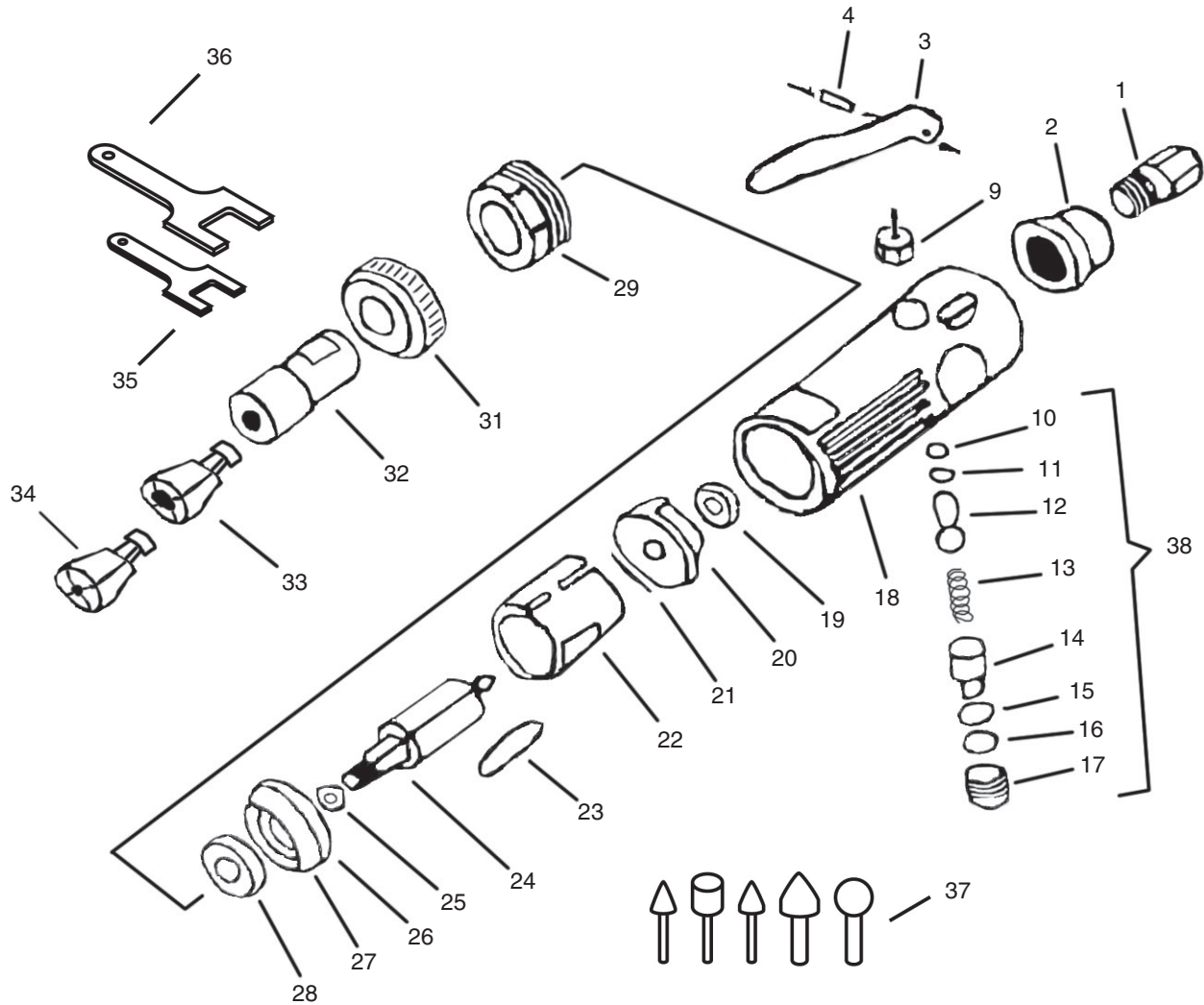


Figure 2. Lubricating directly into air fitting.

*If you need help with your new pneumatic tool, call our Tech Support at: (570) 546-9663.*

COPYRIGHT © MARCH, 2006 BY GRIZZLY INDUSTRIAL, INC.  
**WARNING: NO PORTION OF THIS MANUAL MAY BE REPRODUCED IN ANY SHAPE OR FORM WITHOUT THE WRITTEN APPROVAL OF GRIZZLY INDUSTRIAL, INC.**  
 #PC8029 PRINTED IN CHINA

# H3172 Parts Breakdown and List



REF	PART #	DESCRIPTION
1	PH3172001	AIR INLET
2	PH3172002	EXHAUST DEFLECTOR
3	PH3172003	THROTTLE LEVER
4	PH3172004	PIN
9	PH3172009	VALVE
10	PH3172010	O-RING
11	PH3172011	O-RING
12	PH3172012	THROTTLE VALVE
13	PH3172013	COMPRESSION SPRING
14	PH3172014	AIR REGULATOR
15	PH3172015	O-RING
16	PH3172016	O-RING
17	PH3172017	VALVE SCREW
18	PH3172018	HOUSING
19	PH3172019	BEARING
20	PH3172020	REAR END PLATE
21	PH3172021	PIN

REF	PART #	DESCRIPTION
22	PH3172022	CYLINDER
23	PH3172023	ROTOR BLADE
24	PH3172024	ROTOR SHAFT
25	PH3172025	WASHER
26	PH3172026	PIN
27	PH3172027	FRONT END PLATE
28	PH3172028	BEARING
29	PH3172029	RETAINER
30	PH3172030	COVER
31	PH3172031	HOUSING CAP
32	PH3172032	COLLET NUT
33	PH3172033	COLLET 1/4"
34	PH3172034	COLLET 1/8"
35	PH3172035	WRENCH 1/2"
36	PH3172036	WRENCH 11/16"
37	PH3172037	STONE KIT
38	PH3172038	AIR REGULATOR KIT

## Free Manuals Download Website

<http://myh66.com>

<http://usermanuals.us>

<http://www.somanuals.com>

<http://www.4manuals.cc>

<http://www.manual-lib.com>

<http://www.404manual.com>

<http://www.luxmanual.com>

<http://aubethermostatmanual.com>

Golf course search by state

<http://golfingnear.com>

Email search by domain

<http://emailbydomain.com>

Auto manuals search

<http://auto.somanuals.com>

TV manuals search

<http://tv.somanuals.com>