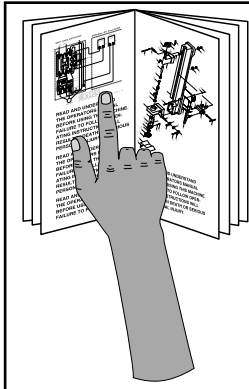




# MODEL G8987 DELUXE TOOL REST FOR G1036 GRINDER INSTRUCTION SHEET



**!WARNING**  
Read all of the mounting and operations information included in this instruction sheet. Failure to correctly mount and operate the Model G8987 tool rest may result in personal injury and property damage.

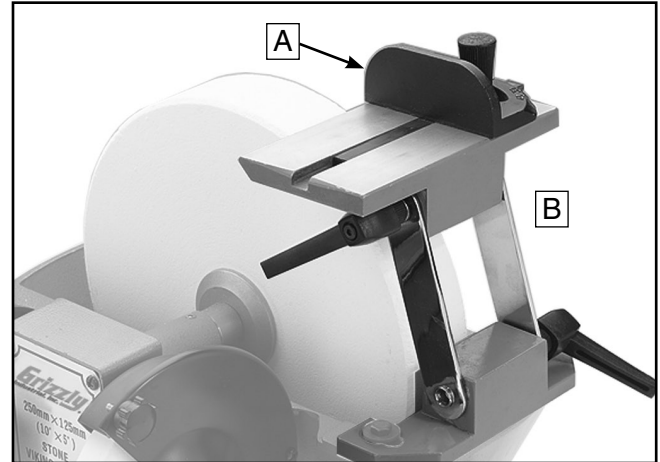


Figure 1. Model G8987.

## Introduction

This heavy-duty Deluxe Tool Rest for the Model G1036 Grinder is ideal for holding and guiding all types of woodturning and carving tools during sharpening. It will help produce hollow-ground bevels which can be simply and quickly honed to razor sharpness using an oilstone or diamond whetstone.

## !WARNING

For your own protection, read and follow all safety instructions for your grinder before mounting the Model G8987 tool rest. Failure to do so may result in personal injury and property damage.

## Mounting Instructions

1. Remove the existing tool rest from the Model G1036 grinding wheel.
2. Use these same hex bolts and washers to securely mount the Model G8987 tool rest as shown in **Figure 1**.
3. Use the adjustable handles to position the tool rest table as necessary.
4. Make sure that the grinding wheel is not making contact with any part of the tool rest.
5. Make sure all lock levers are tight so that the tool rest assembly will not fall into the grinding wheel during operation.

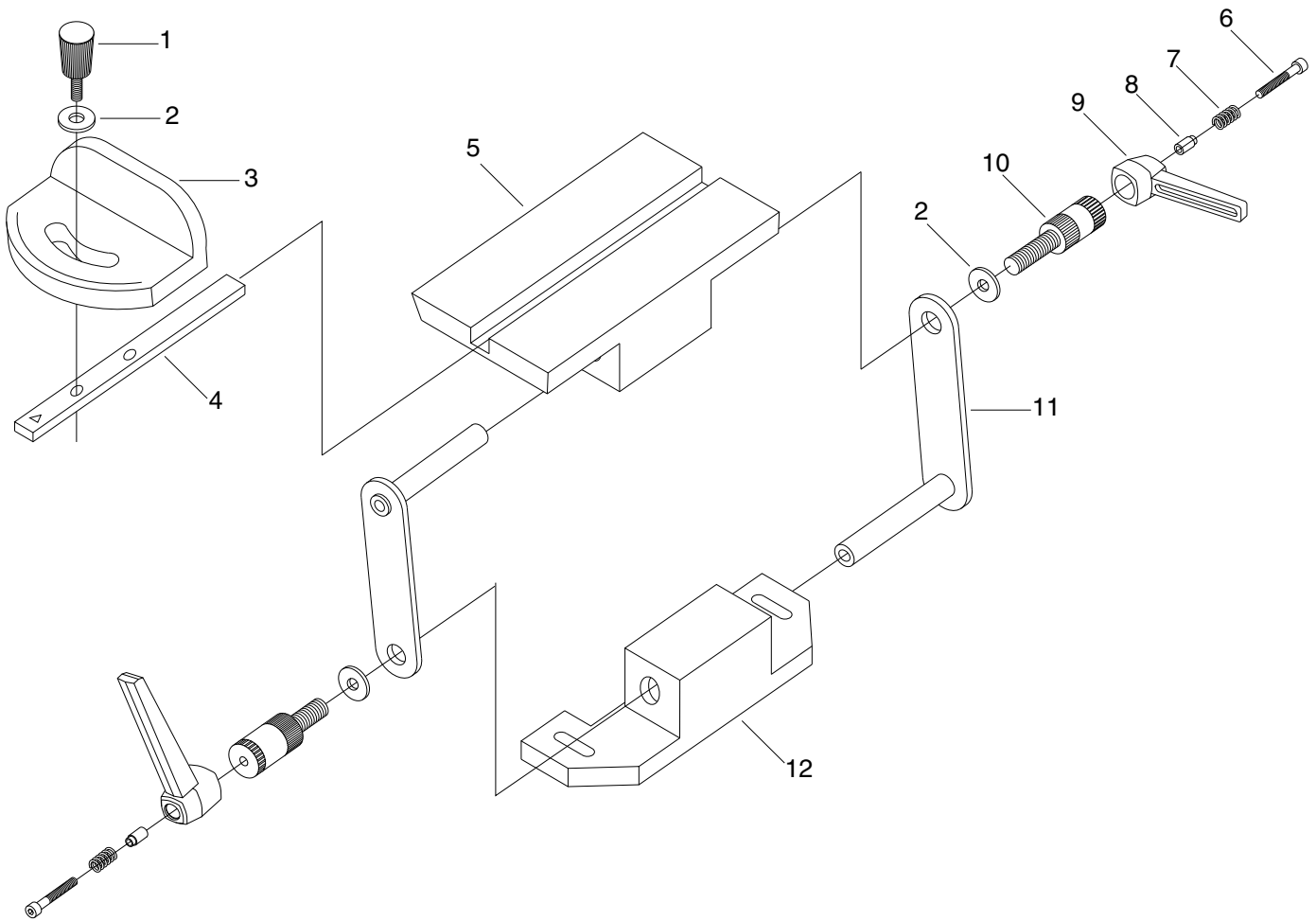
*If you need help with your new tool rest, call our Tech Support at: (570) 546-9663.*

## Inventory (Figure 1)

- A. Miter Gauge..... 1
- B. Tool Rest Body..... 1
- C. Allen Wrench 4mm (not shown)..... 1

COPYRIGHT © JULY, 2006 BY GRIZZLY INDUSTRIAL, INC.  
**WARNING: NO PORTION OF THIS MANUAL MAY BE REPRODUCED IN ANY SHAPE OR FORM WITHOUT THE WRITTEN APPROVAL OF GRIZZLY INDUSTRIAL, INC.**  
#TS8331 PRINTED IN CHINA

# G8987 Parts Breakdown and List



REF	PART #	DESCRIPTION
1	P8987001	KNOB M6-1 X 16
2	PW03M	FLAT WASHER 6MM
3	P8987003	MITER GAUGE BODY
4	P8987004	MITER BAR
5	P8987005	TOOL REST TABLE
6	PSB16M	CAP SCREW M4-.7 X 16
7	P8987007	COMPRESSION SPRING
8	P8987008	SPACER
9	P8987009	ADJUSTABLE HANDLE
10	P8987010	RACHET KNOB
11	P8987011	SUPPORT BRACKET
12	P8987012	TOOL REST BASE

## Free Manuals Download Website

<http://myh66.com>

<http://usermanuals.us>

<http://www.somanuals.com>

<http://www.4manuals.cc>

<http://www.manual-lib.com>

<http://www.404manual.com>

<http://www.luxmanual.com>

<http://aubethermostatmanual.com>

Golf course search by state

<http://golfingnear.com>

Email search by domain

<http://emailbydomain.com>

Auto manuals search

<http://auto.somanuals.com>

TV manuals search

<http://tv.somanuals.com>