



MODEL H7528 RESAW FENCE FOR G0531/G0566/G0568/G0569 INSTRUCTION SHEET

Introduction

The Model H7528 Resaw Fence upgrades the standard fence that came with the G0566/G0568. Installing the resaw fence on your old fence requires that you drill a hole in your old fence.

Inventory (Figure 1)

- A. Resaw Fence 1
- B. Adjustment Handle 1
- C. Flat Washer 8mm 1
- D. Moving Plate 1

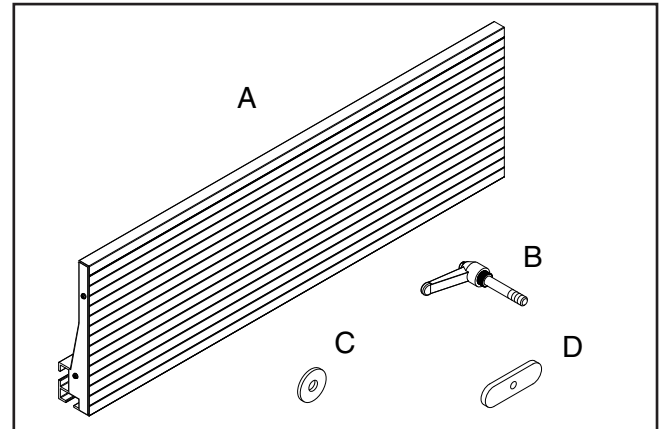


Figure 1. Model H7528 inventory.

Drilling the Hole

Before starting, you should have a pencil, a measuring tape, a center punch, a hammer, a 3/8" drill bit, and access to a drill press (a hand drill will also work, but results may vary).

To drill the hole in your fence:

1. Measure the center-point of the hole (see **Figure 2**) and pencil it in on the face of the fence.
2. Use the center punch and hammer to indent the center-point on your penciled mark.
3. Observe all safety precautions given for your drilling method (refer to your Owner's Manual), and drill the hole completely through your fence.

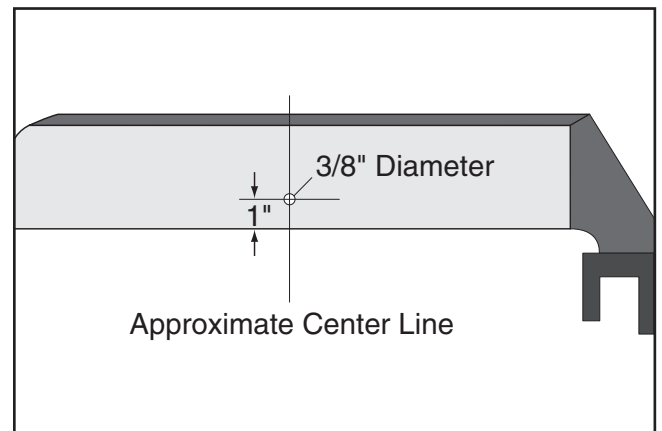


Figure 2. Diagram for drilling the hole.

Assembling Fence

1. Insert the adjustment handle with washer through the hole in the fence and attach the moving plate on the other side of the fence (**Figure 3**).
2. Slide the resaw fence over the moving plate, center it with your original fence, and lock it in position with the adjustment handle.
3. Mount the fence assembly on the bandsaw.

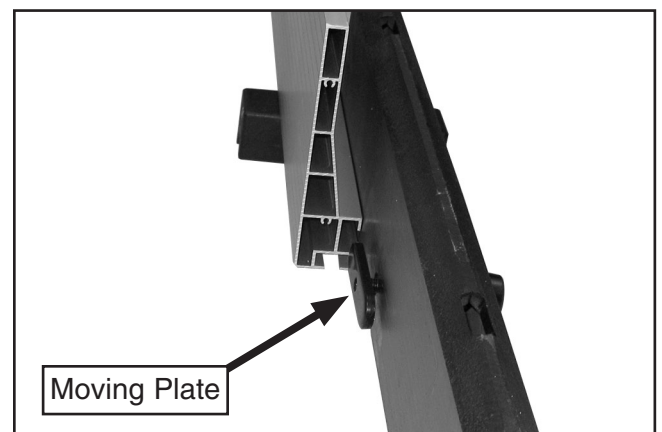
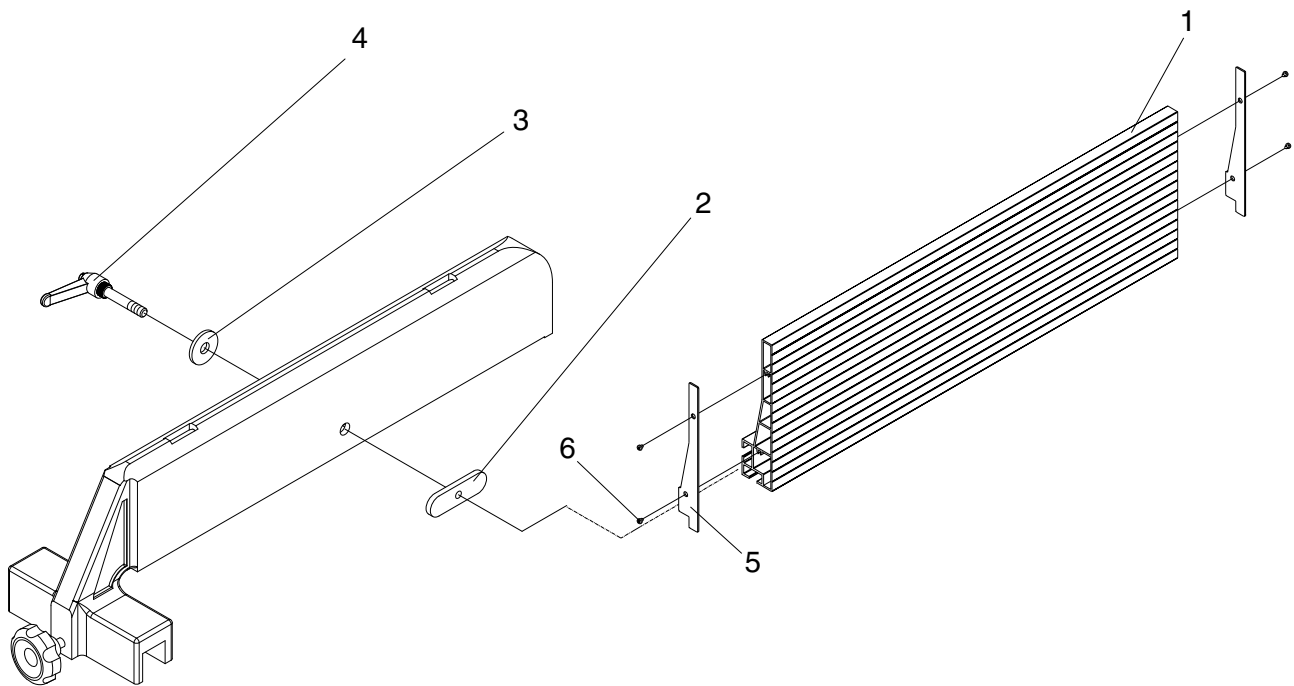


Figure 3. Installing resaw fence.

H7528 Parts Breakdown and List



| REF | PART # | DESCRIPTION | QTY |
|-----|-----------|------------------------|-----|
| 1 | PH7528001 | FENCE (AL) 505MM | 1 |
| 2 | PH7528002 | MOVING PLATE | 1 |
| 3 | PW01M | FLAT WASHER 8MM | 1 |
| 4 | PH7528004 | LOCK KNOB M8-1.25 X 44 | 1 |
| 5 | PH7528005 | END COVER 148 X 22 X 1 | 2 |
| 6 | PHTEK3M | TAP SCREW M3.5 X 8 | 4 |

COPYRIGHT © JUNE, 2005 BY GRIZZLY INDUSTRIAL, INC. REVISED NOVEMBER, 2006.
**WARNING: NO PORTION OF THIS MANUAL MAY BE REPRODUCED IN ANY SHAPE
OR FORM WITHOUT THE WRITTEN APPROVAL OF GRIZZLY INDUSTRIAL, INC.**
#TR6380 PRINTED IN TAIWAN

For replacement parts, call 1-800-523-4777. For help, call Technical Support at 1-570-546-9663 or email tech-support@grizzly.com.

Free Manuals Download Website

<http://myh66.com>

<http://usermanuals.us>

<http://www.somanuals.com>

<http://www.4manuals.cc>

<http://www.manual-lib.com>

<http://www.404manual.com>

<http://www.luxmanual.com>

<http://aubethermostatmanual.com>

Golf course search by state

<http://golfingnear.com>

Email search by domain

<http://emailbydomain.com>

Auto manuals search

<http://auto.somanuals.com>

TV manuals search

<http://tv.somanuals.com>