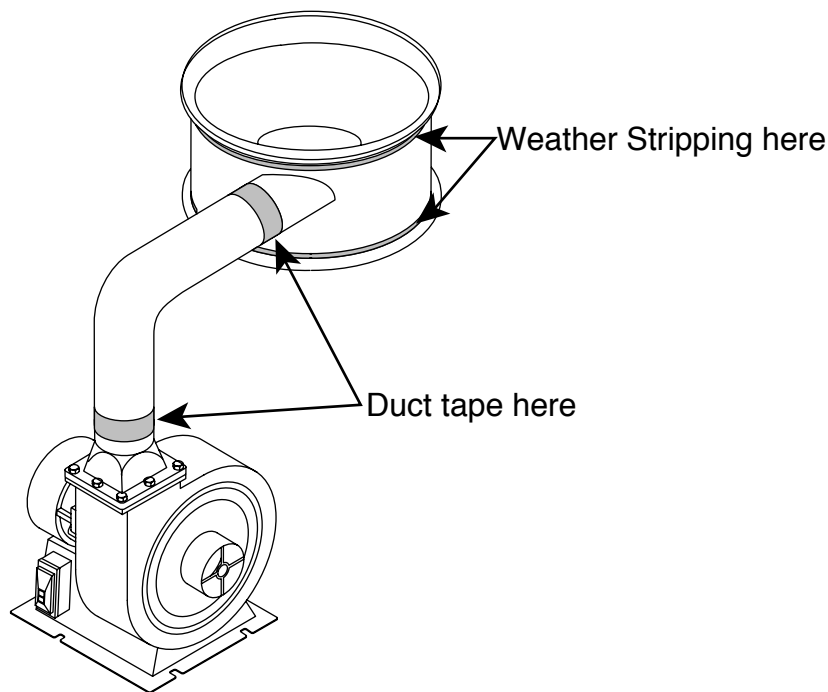


# Installation Procedures For Top Bag Grizzly Model G4832 and G4833

## Installation Procedure

**Warning:** To avoid injury, always remove plug from outlet before changing bag filter.

1. Remove old filter and clean sealing surface.
2. Attach loop on closed end of bag to unit to prevent bag from collapsing when not in use.
3. Carefully slide open end of bag over unit.
4. Clamp bag to unit with enclosed clamp. Inspect seal for leaks.
5. If tightening the clamp does not stop dust from leaking, we recommend applying a layer of adhesive backed foam weather stripping just below the rolled lip on the collector body. It may be helpful to seal the bottom bag in this manner as well.



### Cleaning Instructions:

1. When dust collector is off, tap outside of top filter bag with hands to remove internal dust build up.
2. Empty bottom bag when three quarters of the way full.

**Important:** Avoid cleaning internal filter media with abrasive materials or using a brush. This will permanently damage filter causing dust to bypass filter.

## Free Manuals Download Website

<http://myh66.com>

<http://usermanuals.us>

<http://www.somanuals.com>

<http://www.4manuals.cc>

<http://www.manual-lib.com>

<http://www.404manual.com>

<http://www.luxmanual.com>

<http://aubethermostatmanual.com>

Golf course search by state

<http://golfingnear.com>

Email search by domain

<http://emailbydomain.com>

Auto manuals search

<http://auto.somanuals.com>

TV manuals search

<http://tv.somanuals.com>