

# DUST COLLECTOR

## MODEL G1030

# INSTRUCTION MANUAL



COPYRIGHT © 1991 BY GRIZZLY INDUSTRIAL, INC. REG # 3 176 555  
**WARNING: NO PORTION OF THIS MANUAL MAY BE REPRODUCED IN ANY SHAPE  
OR FORM WITHOUT THE WRITTEN APPROVAL OF GRIZZLY INDUSTRIAL, INC.**  
REVISED FEBRUARY 1999. PRINTED IN USA

# TRAINING

power sanding  
construct

# Table Of Contents

	PAGE
<b>1. SAFETY</b> .....	2
ADDITIONAL SAFETY INSTRUCTIONS FOR THE DUST COLLECTOR.....	4
<b>2. CIRCUIT REQUIREMENTS</b>	
CONNECTION TO POWER SUPPLY .....	5
<b>3. GENERAL INFORMATION</b>	
UNPACKING .....	8
PIECE INVENTORY .....	8
SITE CONSIDERATIONS .....	9
<b>4. ASSEMBLY</b>	
BEGINNING ASSEMBLY .....	10
BASE .....	10
COLLECTOR BODY .....	11
OUTLET .....	11
COLLECTORS .....	12
SUPPORT BRACKETS.....	12
COLLECTION/FILTER BAGS .....	13
INLET .....	13
<b>5. OPERATIONS</b>	
TEST RUN.....	14
SET UP .....	14
MOBILE .....	15
STATIONARY .....	15
SYSTEM GROUNDING .....	16
<b>6. MAINTENANCE</b>	
GENERAL .....	17
IMPELLER TIGHTENING.....	17
LUBRICATION .....	17
<b>7. CLOSURE</b> .....	18
MACHINE DATA .....	19
PARTS BREAKDOWN AND PARTS LISTS .....	20-21
WARRANTY AND RETURNS.....	22
WARRANTY CARD .....	22-23

# SECTION 1: SAFETY

## **WARNING**

### **For Your Own Safety Read Instruction Manual Before Operating This Equipment**

**Always** wear eye protection.

**Always** keep cutter head and belt guards in place and in proper operating condition.

**Never** make jointing, planing, or rabbeting cut deeper than  $\frac{1}{8}$ " inch.

**Maintain the proper relationships** of infeed and outfeed table surfaces and cutter head knife path.

**Support the workpiece** adequately at all times during operation; maintain control of the work at all times.

## **WARNING**

### **Safety Instructions For Power Tools**

- KEEP GUARDS IN PLACE** and in working order.
- REMOVE ADJUSTING KEYS AND WRENCHES.** Form habit of checking to see that keys and adjusting wrenches are removed from tool before turning on.
- KEEP WORK AREA CLEAN.** Cluttered areas and benches invite accidents.
- DON'T USE IN DANGEROUS ENVIRONMENT.** Don't use power tools in damp or wet locations, or where any flammable or noxious fumes may exist. Keep work area well lighted.
- KEEP CHILDREN AND VISITORS AWAY.** All children and visitors should be kept a safe distance from work area.
- MAKE WORK SHOP CHILD PROOF** with padlocks, master switches, or by removing starter keys.
- DON'T FORCE TOOL.** It will do the job better and safer at the rate for which it was designed.
- USE RIGHT TOOL.** Don't force tool or attachment to do a job for which it was not designed.
- USE PROPER EXTENSION CORD.** Make sure your extension cord is in good condition. When using an extension cord, be sure it is rated Hard Service (grade S) or better. Conductor size must be 16 A.W.G. for cords up to 100 feet in length. An undersized cord will cause a drop in line voltage resulting in loss of power and overheating. Your extension cord must also contain a ground wire and plug pin. Always repair or replace extension cords if they become damaged. Minimum Gage for extension cord:

16 A.W.G.	50ft
16 A.W.G.	100ft
14 A.W.G.	200ft
12 A.W.G.	300ft

## **WARNING**

# Safety Instructions For Power Tools

- 10. WEAR PROPER APPAREL.** Do not wear loose clothing, gloves, neckties, rings, bracelets, or other jewelry which may get caught in moving parts. Non-slip footwear is recommended. Wear protective hair covering to contain long hair.
- 11. ALWAYS USE SAFETY GLASSES.** Also use face or dust mask if cutting operation is dusty. Everyday eyeglasses only have impact resistant lenses, they are NOT safety glasses.
- 12. SECURE WORK.** Use clamps or a vise to hold work when practical. It's safer than using your hand and frees both hands to operate tool.
- 13. DON'T OVERREACH.** Keep proper footing and balance at all times.
- 14. MAINTAIN TOOLS WITH CARE.** Keep tools sharp and clean for best and safest performance. Follow instructions for lubricating and changing accessories.
- 15. DISCONNECT TOOLS** before servicing and changing accessories, such as blades, bits, cutters, and the like.
- 16. REDUCE THE RISK OF UNINTENTIONAL STARTING.** Make sure switch is in off position before plugging in.
- 17. USE RECOMMENDED ACCESSORIES.** Consult the owner's manual for recommended accessories. The use of improper accessories may cause risk of injury.
- 18. CHECK DAMAGED PARTS.** Before further use of the tool, a guard or other part that is damaged should be carefully checked to determine that it will operate properly and perform its intended function. Check for alignment of moving parts, binding of moving parts, breakage of parts, mounting, and any other conditions that may affect its operation. A guard or other part that is damaged should be properly repaired or replaced.
- 19. DIRECTION OF FEED.** Feed work into a blade or cutter against the direction of rotation of the blade or cutter only.
- 20. NEVER LEAVE TOOL RUNNING UNATTENDED. TURN POWER OFF.** Don't leave tool until it comes to a complete stop.

## **WARNING**

# Additional Safety Instructions For The Dust Collector

1. This dust collector is to be used for wood dust collection only. **DO NOT** use this dust collector to pick up liquids and metal scrap including, but not limited to, nails and filings. *Metallic debris will contact the spinning impeller and could spark. The spark could then cause a sawdust explosion and severe fire hazard.* Also, **DO NOT** pick up material which cannot safely pass through the impeller such as solid wood scraps.
2. **DO NOT** place your hands or tools near the open inlet during operation for any reason including, but not limited to, unclogging material and testing suction. *The impeller could cause serious damage to body parts if touched while spinning.*
3. Problems concerned with any moving part(s) or accessories must be investigated and corrected with the power disconnected and after everything has come to a complete stop.
4. Suspended dust particles in conjunction with an ignition source, may cause an explosion. **DO NOT** operate the dust collector in areas where explosion risks would be high if dust were dispersed into the area. Areas of high risk include, but are not limited to, areas near pilot lights and/or open flames.
5. **DO NOT** allow steel to strike against steel which may produce a spark. Sparks can smolder in wood dust for a long time before fire or flame is detected. If metal contacts metal during operation, immediately turn off the dust collector, unplug the power cord from the outlet or throw the disconnect and wait for all moving parts to stop. Remove collection bags and empty the dust into an approved air tight metal container in case of spark and remedy the metal to metal contact problem before resuming operation.
6. When emptying dust from the collection bags, wear a respirator and safety glasses. Empty dust into an approved container and dispose of properly.

# SECTION 2: CIRCUIT REQUIREMENTS

---

---

## CONNECTION TO POWER SUPPLY

---

---

The dust collector system you have purchased utilizes a 3 H.P. electrical motor which requires 220V, single phase service. You will need to decide how you plan to operate it before acquiring the electrical connection accessories needed (this unit ships without a plug due to the varying methods and styles of connection).

If you intend to operate this dust collector as a stationary unit, you have the option of “hard-wiring” this machine directly to a dedicated circuit. However, you will need to have an in-line electrical disconnect located near the machine.

If you will be operating it as a mobile unit, you will need to make certain you have adequate 220V outlets and/or extension cords of sufficient rating to run this in all locations in your shop.

See Section 6 for further discussion of mobile versus stationary operation.

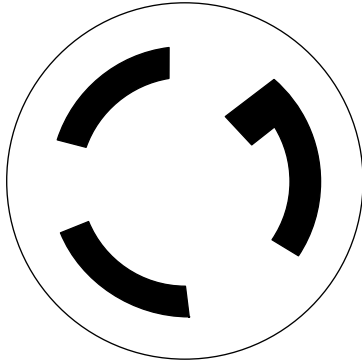
Please carefully read the following warning notes and check your electrical codes for specifications in your area.

### **WARNING**

The motor supplied with the G1030 requires 220V service and cannot be rewired for 110V. Under normal use, the motor draws approximately 18 amps @ 220V. We recommend using a 20 amp circuit breaker or a 30 amp slow-blow fuse for 220V operation. This should be satisfactory for normal use, while preventing motor damage from high heat caused by overload. The circuit you use should be dedicated, (i.e., the G1030 should provide the only draw from that circuit). If frequent circuit failures occur when using the dust collector, contact our service department or your local electrical contractor. **Serious personal injury may occur.**

## **WARNING**

**Plug/Receptacle:** We recommend using the plug type illustrated in **Figure 1**. Contact your local electrical contractor's supply, a licensed electrician or our service department if you have questions about the configuration for your specific situation. **Serious personal injury may occur.**



220V/240V  
20A  
NEMA 6-20

**Figure 1.** Recommended 220V receptacle.

## **WARNING**

**This equipment must be grounded.** Please ensure that the dust collector is continuously grounded from the motor to the machine frame and then to a known ground. Verify that any existing electrical outlet and circuit you intend to plug into is actually grounded. If it is not, it will be necessary to run a separate 12 A.W.G. copper grounding wire from the outlet to a known ground. Under no circumstances should the grounding pin from any three-pronged plug be removed. **Serious personal injury may occur.**

## **WARNING**

**Extension Cords:** If used, extension cords must be rated Hard Service (grade S) or better. Conductor size must be 10 A.W.G. for cords up to 25 feet in length. Your extension cord must also contain a ground wire and plug pin. Always repair or replace extension cords if they become damaged. **Serious personal injury may occur.**

## **CAUTION**

We have covered some basic electrical requirements for the safe operation of your Dust Collector. These requirements are not necessarily comprehensive. You must be sure that your particular electrical configuration complies with local and state codes. Ensure compliance by checking with your local municipality or a licensed electrician.





# SECTION 3: GENERAL INFORMATION

---

Grizzly Industrial, Inc. is proud to offer the Model G1030 Dust Collector. These dust collectors are a part of Grizzly's growing family of fine machinery. When used according to the guidelines set forth in this manual, you can expect years of trouble-free, enjoyable operation and proof of Grizzly's commitment to customer satisfaction.

The G1030 Dust Collector represents the high-end of our broad line of dust collectors. Standard features include a 3 H.P. motor which provides air movement of 2300 cubic feet per minute and a static pressure of 16.7", two cyclone collectors, four large filter/collection bags, a three-to-one intake port and a convenient push button on/off switch. We also offer a full line of optional accessories to build a collection system for a single machine or a complete shop including a two-stage adapter and a dust collection reference book. All accessories are offered through the current Grizzly catalog.

We are also pleased to provide this manual for the Model G1030. It was written to guide you through assembly, review safety considerations, and cover general operating procedures. It represents our latest effort to produce the best documentation possible. If you have any criticisms that you feel we should address in our next printing, please write to us at the Bellingham, WA address at the end of this section.

Most important, we stand behind our machines. We have excellent regional service departments at your disposal should the need arise. If you have any service questions or parts requests, please call or write to us at the location listed below.

Grizzly Industrial, Inc.  
1203 Lycoming Mall Circle  
Muncy, PA 17756  
Phone:(570) 546-9663  
Fax:(800) 438-5901  
E-Mail: techsupport@grizzly.com  
Web Site: <http://www.grizzly.com>

To comment on this manual write to:

Grizzly Industrial, Inc.  
% Technical Documentation  
P.O. Box 2069  
Bellingham, WA 98227

## **WARNING**

**To operate this or any power tool safely and efficiently, it is essential to become as familiar with it as possible. The time you invest before you begin to use your Model G1030 will be time well spent. DO NOT operate this machine until you are completely familiar with the contents of this manual. Serious personal injury may occur.**



# Unpacking

---

---

The Model G1030 Dust Collector is shipped from the manufacturer in a carefully packed carton. If you discover the machine is damaged after you've signed for delivery, *please call Customer Service immediately for advice.*

Save the containers and all packing materials for possible inspection by the carrier or its agent. *Otherwise filing a freight claim can be difficult.*

## **WARNING**

**The G1030 is a heavy machine (170 lbs. shipping weight). DO NOT over-exert yourself while unpacking or moving your machine – get assistance. In the event that your collector must be moved up or down a flight of stairs, be sure that the stairs are capable of supporting the combined weight of people and the machine. Serious personal injury may occur.**

When you are completely satisfied with the condition of your shipment, you should inventory its parts.



# Piece Inventory

---

---

After all the parts have been removed from the carton, you should have:

- Collector Body Assembly
- Base
- Collectors (2)
- 3-Way Inlet
- Collection/Filter Bags (4)
- Lower Support Brackets (2)
- Casters (4)
- Rubber Gaskets (3)
- Upper Support Bracket (2)
- Outlet
- Bolt  $\frac{5}{16}$ " - 18 x  $\frac{1}{2}$ " (52)
- Bag Clamp Attachment Kit
  - Bag Clamps (4)
  - Bolt  $\frac{1}{4}$ " - 20 x  $2\frac{1}{2}$ " (4)
  - Nut (4)
- Open end Wrench
- Allen® Wrench

In the event that any non-proprietary parts are missing (e.g. a nut or a washer), we would be glad to replace them, or, for the sake of expediency, replacements can be obtained at your local hardware store.



# Site Considerations

---

---

When placing the G1030 Dust Collector in your shop, two major considerations should be addressed: working clearances and electrical access and loading.

1. **Working Clearances:** Be sure to allow yourself sufficient room to safely operate your machines **in any foreseeable operation.** Consider existing and anticipated machine needs, anticipated size of material to be processed through each machine, and space for auxiliary stands and/or work tables. You may also want to consider the relative position of each machine to one another for efficient material handling. Allow for sufficient routing of hoses from the machine to the collector to avoid kinking or bending.



# SECTION 4: ASSEMBLY

---

---

## Beginning Assembly

---

---

Assembly of the G1030 is straightforward and can be accomplished quite easily. We have organized the assembly process into logical steps. Please follow them in sequence.

You will find that some pre-assembly has been done at the factory. For example, the motor and switch are already mounted to the collector body and the fan is mounted to the motor shaft.

Please spend some time with the drawings and parts lists and become familiar with all the parts before you begin assembly

**Tools Required:** 12mm open end wrench (supplied), regular and Phillips® head screwdriver.



## Base

---

---

Position the base plate upside down and locate the casters so they are within easy reach. Mount the casters to the base plate using sixteen (16)  $\frac{5}{16}$ "-18 x  $\frac{1}{2}$ " hex bolts provided. **Figure 2.**

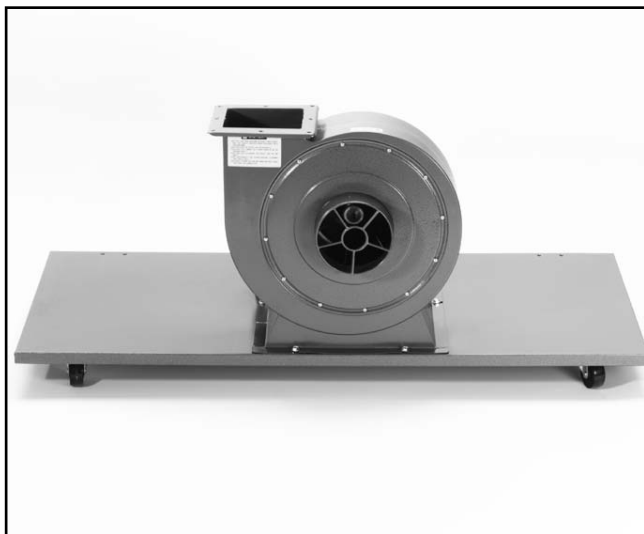


**Figure 2.** Mounting casters to base.



# Collector Body

The collector body includes the fan assembly, switch, motor and power cord which are pre-assembled at the factory. Set the collector body on top of the base plate so the intake portion is near the edge of the base plate and the bolt holes are lined up as shown in **Figure 3**. Secure the collector body to the base plate with four (4)  $\frac{5}{16}$ " - 18 x  $\frac{1}{2}$ " bolts provided.

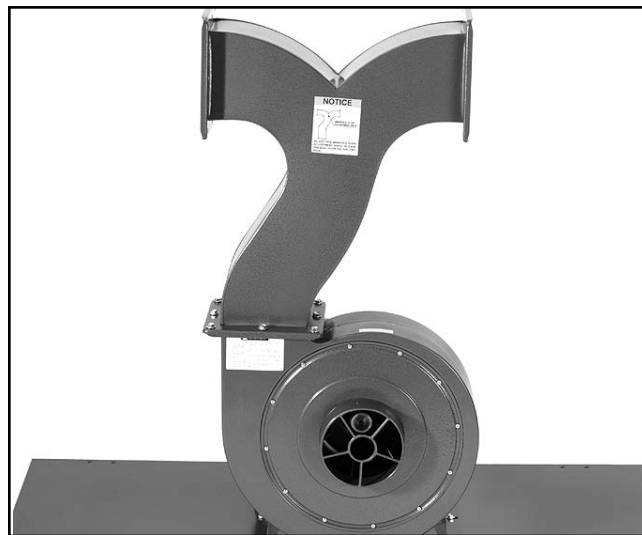


**Figure 3.** Mounting collector to base.



# Outlet

The outlet can now be attached to the main collector body. Insert the rubber gasket between the collector and lower outlet flange and secure using eight (8)  $\frac{5}{16}$ " - 18 x  $\frac{1}{2}$ " bolts provided. **Figure 4**.



**Figure 4.** Mounting outlet to collector body.



# Collectors

The left and right collectors attach to each side of the outlet flange and are later supported by the support bracket assembly. The inside of the collectors are funnel shaped and force the air around in a cyclone motion. Make sure that the inside taper (funnel) is facing downward and that the collector inlet flange faces toward the collector body. Insert one of the rubber gaskets between the outlet flange and the collector flange. Secure with eight (8)  $\frac{5}{16}$ "-18 x  $\frac{1}{2}$ " bolts provided. Repeat the procedure for the other collector on the opposite side. **Figure 5.**



**Figure 5.** Attaching collector to outlet flange



# Support Brackets

There are two lower collector support brackets which mount to the base, then to the side of the collectors. There are also two upper bag support brackets which mount to the collector side which support the upper bag. Attach the two lower collector brackets to the top edge of the base plate using four (4)  $\frac{5}{16}$ "-18 x  $\frac{1}{2}$ " bolts provided. **Figure 6.**



**Figure 6.** Mounting brackets to base.

Now line up the two holes of the upper support bracket with the holes on the lower bracket and the collector. Secure the upper and lower support brackets to the collector with two (2)  $\frac{5}{16}$ "-18 x  $\frac{3}{4}$ " bolts provided. Repeat this procedure for the brackets on the opposite side. **Figure 7.**



**Figure 7.** Mounting collector to brackets.

G1030 Dust Collector

# Collection/Filter Bags

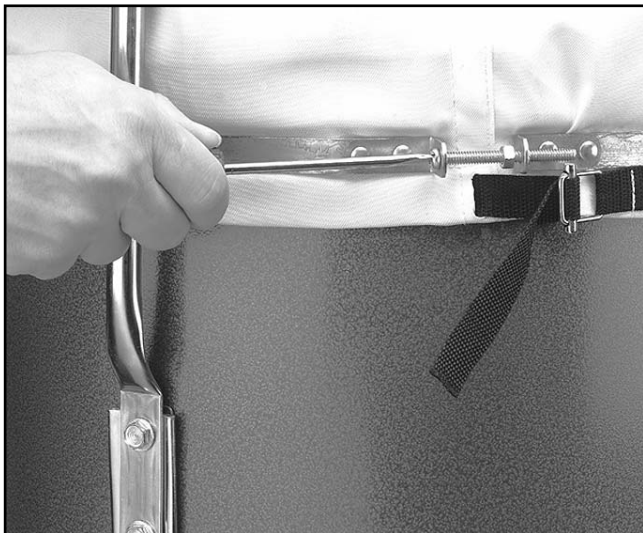
There are two collection bags which install onto the bottom of the collectors. There are also two filter bags (with loops on top) which install onto the top of the collectors.

All the bags are attached in the same manner. Slip the opening of the bag over the lip of the collector and pull the strap tight to secure. Make sure the strap is seated in the groove around the entire circumference. Repeat this process for the other three bags. **Figure 8.**



**Figure 8.** Securing the bag to the collector

Slip the bag clamp over the bag and position it next to the strap, making sure it is also seated in the groove around the collector. Thread the long



**Figure 9.** Securing the bag clamps  
G1030 Dust Collector

bolt through one side of the clamp, then the lock nut, then thread the bolt through the other clamp. **Figure 9**

Hook the loops of the two upper filter bags over the upper support bracket. **Figure 10.**

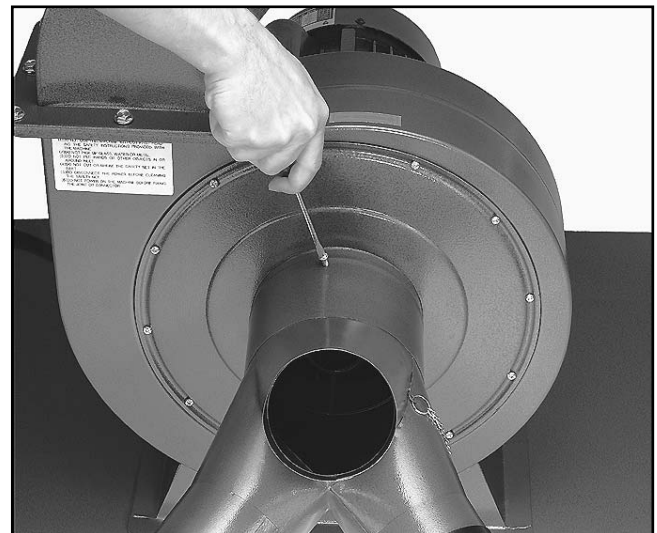


**Figure 10.** Attaching bag loop to bracket



## Inlet

Press the three-to-one inlet onto the inlet cover flange. **Figure 11.** Line up the hole in the inlet with the threaded hole on the body and install screw



**Figure 11.** Securing inlet onto cover



# SECTION 6: OPERATIONS

---

---

## Test Run

---

---

Please review the safety rules if you are not sure about the risks associated with operating this machine. Turn on the power supply at the main panel if not already on. Press the ON switch and be ready to switch OFF just in case there is a problem. The dust collector should run smoothly and be free of vibration or rubbing noises. Unusual or strange sounds or symptoms must be investigated and the problem corrected before proceeding further.

### **WARNING**

Make sure the G1030 is unplugged or disconnected from the power source and moving parts have come to a complete stop before investigating any problems or performing any maintenance or adjustments. **Serious personal injury may occur.**

If everything is running smoothly, perform a test of the dust collector. Ensure that the collector picks up sawdust freely and easily. If it does not, review the assembly process and your duct system.



## Set Up

---

---

The G1030 dust collector can be either operated as a mobile or stationary unit. There are advantages and disadvantages to both systems. The primary advantage of a mobile system is low expense of ducts and fittings. On the other hand a stationary system is more versatile and convenient. There are some basic considerations for each method.

In light of all the health concerns related to airborne dust, proper setup and installation cannot be overlooked.

You may wish to locate your dust collector away from the work area in an adjacent room or closet. If you do locate the dust collector in an adjacent room by running a duct through the wall, be sure there are no open flames and/or gas appliances with pilot lights. There is a risk of explosion if dust is dispersed into the air. You must also ensure that the volume of air entering the room or closet is properly vented back into the workshop.

### **WARNING**

Ensure that all duct work is grounded to discharge the build-up of static electricity, particularly if using a plastic duct system. See System Grounding section. **Serious personal injury may occur.**





# Mobile

---

---

For mobility, the G1030 is mounted on casters and can be moved within close proximity to your woodworking machines. You will need a flexible duct to connect each machine with a collection hood. If you wish to specifically direct air flow while the dust collector is attached to more than one machine, you will need to add a blast gate for each machine.

When moving the dust collector around the shop, you must consider clearances between obstacles and accessibility to convenient electrical outlets. A heavy-duty extension cord may be used if an outlet is not convenient. See Section 2 on Circuit Requirements.



# Stationary

---

---

The G1030 can be set up as a stationary unit with the addition of a fixed duct system to service more than one machine at a time. The primary advantage of a stationary system is it eliminates the process of disconnecting and moving the dust collector, hoses and cords, and eliminates hoses and cords laying on the floor. Another advantage of a stationary system is it allows the dust collector to be located away from the work area, reducing noise and freeing up valuable workshop space. Grizzly offers a complete line of dust collection accessories for setting up a stationary system. Additionally, Grizzly offers a complete guide book entitled Dust Collection Basics for setting up stationary dust collection systems. Please refer to our current catalog for pricing and ordering information.

A stationary system configuration usually has a main duct with smaller ducts branching to each machine. The main duct should be located out of the way of normal operations and be accessible for the branch ducts. Branch ducts are permanently attached to each machine by way of collection hoods. Air flow is controlled by blast gates located in the branch ducts and near each machine. Remote switches, available from Grizzly, can be added to make the system even more convenient.

To design a stationary system, you must consider many interrelated factors such as, shop layout, woodworking machine capacities, and general duct efficiency. Design considerations for a stationary dust collection system are beyond the scope of this manual. As stated above, Dust Collection Basics, offered by Grizzly, is an excellent resource for dust collection questions.



# System Grounding

Since plastic hose is abundant, relatively inexpensive, easily assembled, and airtight, it is a very popular material for conveying dust from woodworking machines to the dust collector. We recommend using flexible hose (flex-hose) to connect the woodworking machine to the dust collector. However, plastic piping, including plastic flex-hose, is an insulator, and dust particles moving against the walls of the pipe create a static electrical charge build-up. This charge will build until it discharges to ground. If a grounding medium is not available to prevent static electrical charge build-up, the electrical discharge will arc, similar to lightning. This electrical discharge may cause an explosion and subsequent fire inside the system.

To protect against static electrical charge build-up inside a non-conducting duct, a bare copper wire should be placed inside the duct along its length and grounded to the dust collector. Please ensure that the dust collector is continuously grounded through the electrical circuit to the electric service panel.

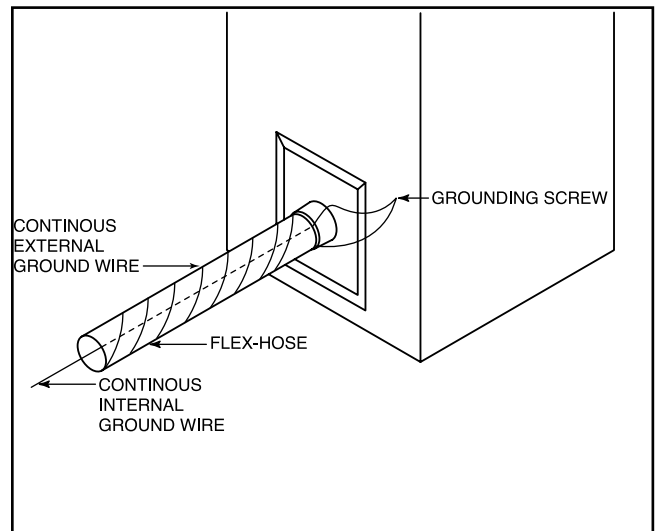
If you connect the dust collector to more than one machine by way of a non-conducting branching duct system and blast gates, the system must still be grounded as mentioned above. We recommend inserting a continuous bare copper grounding wire inside the entire duct system and attaching the wire to each grounded woodworking machine and dust collector.

Be sure that you extend the bare copper wire down all branches of the system. Do not forget to connect the wires to each other when two branches meet at a Y or T connection. Use wire nuts.

Ensure that the entire system is grounded. If using blast gates to direct air flow, the grounding wire must be jumped around the blast gate without interruption to the grounding system.

We also recommend wrapping the outside of all plastic ducts with bare copper wire to ground the outside of the system against static electricity build-up. Wire connections at Y's and T's should be made with wire nuts.

Attach the bare ground wire to each stationary woodworking machine and the dust collector frame with a ground screw. Ensure that each machine is continuously grounded to the grounding terminal in your electric service panel.



**Figure 12.** Shows duct system grounded to woodworking machine frame.

## **WARNING**

**This equipment must be grounded.** Please ensure that the dust collector is continuously grounded from the motor to the machine frame and then to a known ground. Verify that any existing electrical outlet and circuit you intend to plug into is actually grounded. If it is not, it will be necessary to run a separate 12 A.W.G. copper grounding wire from the outlet to a known ground. Under no circumstances should the grounding pin from any three-pronged plug be removed. **Serious personal injury may occur.**



# SECTION 7: MAINTENANCE

---

---

## General

---

---

Periodic maintenance will ensure safe operation, long dust collector life, and low overall cost of operation.

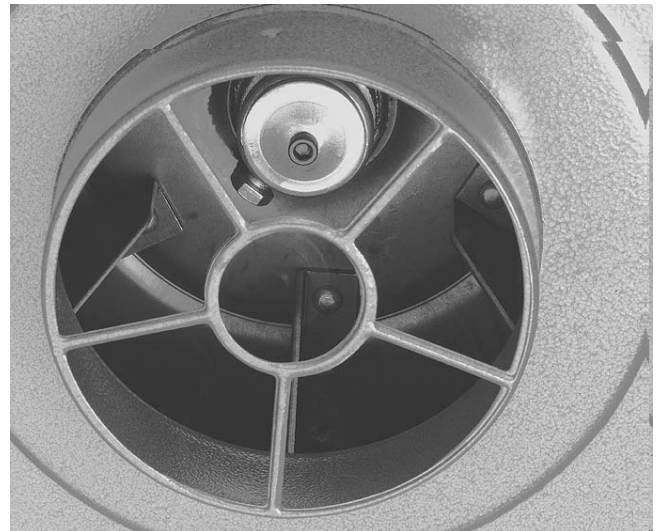
---

---

## Impeller Tightening

---

---



---

---

## Lubrication

---

---



# SECTION 8: CLOSURE

---

The following pages contain general machine data, parts diagram, parts list and Warranty/Return information for your Model G1030 Dust Collector.

If you need parts or help in assembling your machine, or if you need operational information, we encourage you to call our Service Department. Our trained service technicians will be glad to help you.

If you have comments dealing specifically with this manual, please write to our Bellingham, Washington location using the address in the Section 3 General Information section. The specifications, drawings, and photographs illustrated in this manual represent the Model G1030 as supplied when the manual was prepared. However, due to Grizzly's policy of continuous improvement, changes may be made at any time with no obligation on the part of Grizzly. Whenever possible, though, we send manual updates to all owners of a particular tool or machine. Should you receive one, add the new information to this manual and keep it for reference.

We have included some important safety measures that are essential to this machine's operation. While most safety measures are generally universal, Grizzly reminds you that each workshop is different and safety rules should be considered *as they apply to your specific situation*.

We recommend you keep a copy of our current catalog for complete information regarding Grizzly's warranty and return policy. If you need additional technical information relating to this machine, or if you need general assistance or replacement parts, please contact our Service Department listed in the General Information.

Additional information sources are necessary to realize the full potential of this machine. Trade journals, woodworking magazines, and your local library are good places to start.

## **WARNING**

As with all power tools, there is danger associated with the Model G1030 Dust Collector. Use the tool with respect and caution to lessen the possibility of mechanical damage or operator injury. If normal safety precautions are overlooked or ignored, **serious personal injury may occur**.

## **WARNING**

The Model G1030 was specifically designed for dust collection. **DO NOT MODIFY AND/OR USE THIS COLLECTOR FOR ANY OTHER PURPOSE. Modifications or improper use of this tool will void the warranty.** If you are confused about any aspect of this machine, **DO NOT** use it until you have answered all your questions. **Serious personal injury may occur.**





# MACHINE DATA SHEET

Customer Service #: (570) 326-3806 • To Order Call: (800) 523-4777 • Fax #: (800) 438-5901

## GRIZZLY MODEL G1030 DUST COLLECTOR

Design Type ..... Floor Model

### Specifications:

Intake Hole Size .....6"  
Intake Adapter Hole Size (1).....4" x 3" Holes  
Bag Size (4) .....19" x 33"  
Bag Capacity (Replacement Bag G1027) .....5 Cubic Feet  
Bag Material.....Fabric  
Impeller Size.....12"  
Suction Capacity .....2300 CFM  
Static Pressure (inches of water) .....16.7"

### Overall Dimensions:

Base .....21 $\frac{1}{2}$ " x 49 $\frac{1}{2}$ "  
Height (With Bags Inflated) .....78"  
Weight (Shipping) .....170 lbs.

### Construction:

Base.....Pre-formed Steel on Casters  
Radial Impeller ..... $\frac{3}{32}$ " Steel, Riveted

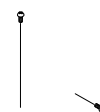
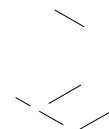
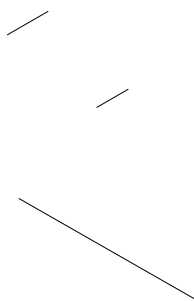
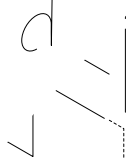
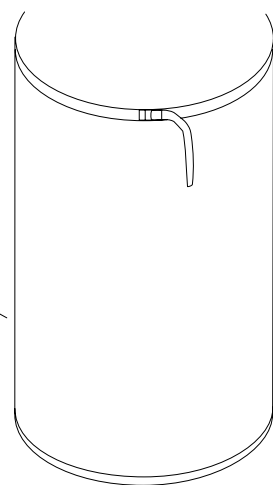
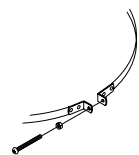
### Motor:

Type.....TEFC Capacitor-Start Induction  
Horsepower.....3HP  
Phase Type/ Voltage .....Single Phase / 220 V  
Amps .....18  
Cycle/ RPM .....60 Hertz / 3450 RPM  
Switch.....On/ off Push-Button  
Bearings .....Shielded & Permanently Lubricated

*Specifications, while deemed accurate, are not guaranteed.*

REVISED 2/99

REF	PART #	DESCRIPTION
1	P1028001	CASTER
2	PFB01	FLANGE BOLT $\frac{5}{16}$ "-18 x $\frac{1}{2}$ "
3	P1030003	BASE PLATE
4	PS06	PHLP HD SCREW 10-24 x $\frac{3}{8}$ "
5	P1030005	INLET COVER
6	P1028007	CAP SCREW M6-1 x 19 LH
7	PB09	HEX BOLT $\frac{5}{16}$ "-18 x $\frac{1}{2}$ "
8	P1028009	SPECIAL WASHER
9	P1029010	TURBO FAN
10	P1028011	COLLECTOR BODY
11	PW07	FLAT WASHER $\frac{5}{16}$ "
12		DISCONTINUED
13	PFB01	FLANGE BOLT $\frac{5}{16}$ "-18 x $\frac{1}{2}$ "
14	PB03	HEX BOLT $\frac{5}{16}$ "-18 x 1"
15	PSW04	SWITCH
16	P1030016	MOTOR, 3HP
17	PN02	HEX NUT $\frac{5}{16}$ "-18
18	P1030018	OUTLET
19	P1030019	LEFT COLLECTOR
20	G4996	DUST COLL BAG, LOWER
21	P1028023	COLLECTOR SUPPORT
22	P1030022	RIGHT COLLECTOR
23	P1028028	PACKING
24	P1028026	UPPER BAG SUPPORT
25	G1027	DUST COLL BAG, UPPER
26	P1028025	GASKET
27	P1030027	INLET
28	PK28M	KEY 7 x 7 x 29
29	PWRCRD220L	POWER CORD, 220V, LONG
29A	P1029029A	INLET CAP
30	PWR1012	WRENCH 10 X 12
31	PAW05M	ALLEN® WRENCH 5mm
32	G3707	68" BAND CLAMP
33	PS06	PHLP HD SCREW 10-24 x $\frac{3}{8}$ "
34	PWRCRD220S	POWER CORD, 220V, SHORT



210232323262020222124251316151117297986325334272

# WARRANTY AND RETURNS

---

Grizzly Industrial, Inc. warrants every product it sells for a period of **1 year** to the original purchaser from the date of purchase. This warranty does not apply to defects due directly or indirectly to misuse, abuse, negligence, accidents, repairs or alterations or lack of maintenance. This is Grizzly's sole written warranty and any and all warranties that may be implied by law, including any merchantability or fitness, for any particular purpose, are hereby limited to the duration of this written warranty. We do not warrant or represent that the merchandise complies with the provisions of any law or acts unless the manufacturer so warrants. In no event shall Grizzly's liability under this warranty exceed the purchase price paid for the product and any legal actions brought against Grizzly shall be tried in the State of Washington, County of Whatcom.

We shall in no event be liable for death, injuries to persons or property or for incidental, contingent, special, or consequential damages arising from the use of our products.

To take advantage of this warranty, contact us by mail or phone and give us all the details. We will then issue you a "Return Number", which must be clearly posted on the outside as well as the inside of the carton. We will not accept any item back without this number. Proof of purchase must accompany the merchandise.

The manufacturers reserve the right to change specifications at any time because they constantly strive to achieve better quality equipment. We make every effort to ensure that our products meet high quality and durability standards and we hope you never need to use this warranty.

Please feel free to write or call us if you have any questions about the machine or the manual.

Thank you again for your business and continued support. We hope to serve you again soon.



# WARRANTY CARD

Name \_\_\_\_\_  
Street \_\_\_\_\_  
City \_\_\_\_\_ State \_\_\_\_\_ Zip \_\_\_\_\_  
Phone Number \_\_\_\_\_ E-Mail \_\_\_\_\_ FAX \_\_\_\_\_  
MODEL # \_\_\_\_\_ Order # \_\_\_\_\_

The following information is given on a voluntary basis. It will be used for marketing purposes to help us develop better products and services. Of course, all information is strictly confidential.

1. How did you learn about us?

Advertisement  Friend  
 Catalog  Card Deck  
 World Wide Web  
 Other \_\_\_\_\_

2. Which of the following magazines do you subscribe to.

American Woodworker  Practical Homeowner  
 Cabinetmaker  Shop Notes  
 Family Handyman  Today's Homeowner  
 Fine Homebuilding  WOOD  
 Fine Woodworking  Wooden Boat  
 Home Handyman  Woodshop News  
 Journal of Light Construction  Woodsmith  
 Old House Journal  Woodwork  
 Popular Mechanics  Woodworker  
 Popular Science  Woodworker's Journal  
 Popular Woodworking  Workbench  
 Other \_\_\_\_\_

3. Which of the following woodworking/remodeling shows do you watch?

Backyard America  The New Yankee Workshop  
 Home Time  This Old House  
 The American Woodworker  Woodwright's Shop  
 Other \_\_\_\_\_

4. What is your annual household income?

\$20,000-\$29,999  \$60,000-\$69,999  
 \$30,000-\$39,999  \$70,000-\$79,999  
 \$40,000-\$49,999  \$80,000-\$89,999  
 \$50,000-\$59,999  \$90,000 +

5. What is your age group?

20-29  50-59  
 30-39  60-69  
 40-49  70 +

6. How long have you been a woodworker?

0 - 2 Years  8 - 20 Years  
 2 - 8 Years  20+ Years

7. How would you rank your woodworking skills?

Simple  Advanced  
 Intermediate  Master Craftsman

8. What stationary woodworking tools do you own? Check all that apply.

Air Compressor  Panel Saw  
 Band Saw  Planer  
 Drill Press  Power Feeder  
 Drum Sander  Radial Arm Saw  
 Dust Collector  Shaper  
 Horizontal Boring Machine  Spindle Sander  
 Jointer  Table Saw  
 Lathe  Vacuum Veneer Press  
 Mortiser  Wide Belt Sander  
 Other \_\_\_\_\_

9. How many of your woodworking machines are Grizzly? \_\_\_\_\_

10. Which benchtop tools do you own? Check all that apply.

1" x 42" Belt Sander  6" - 8" Grinder  
 5" - 8" Drill Press  Mini Lathe  
 8" Table Saw  10" - 12" Thickness Planer  
 8" - 10" Bandsaw  Scroll Saw  
 Disc/Belt Sander  Spindle/Belt Sander  
 Mini Jointer  
 Other \_\_\_\_\_

11. How many of the machines checked above are Grizzly? \_\_\_\_\_

12. Which portable/hand held power tools do you own? Check all that apply.

Belt Sander  Orbital Sander  
 Biscuit Joiner  Palm Sander  
 Circular Saw  Portable Planer  
 Detail Sander  Saber Saw  
 Drill/Driver  Reciprocating Saw  
 Miter Saw  Router  
 Other \_\_\_\_\_

13. What machines/supplies would you like Grizzly Industrial to carry?

12" Table Saw  Radial Arm Saw  
 12" Jointer  Panel Saw  
 Combination Planer/Joiner  Brass Hardware  
 Paint & Finishing Supplies  Lumber  
 Contractor's Supplies  
 Other \_\_\_\_\_

14. What new accessories would you like Grizzly Industrial to carry?

Builders Hardware  Hand Tools  
 Fasteners  Wood Components  
 Other \_\_\_\_\_

15. What other companies do you purchase your tools and supplies from?  
\_\_\_\_\_  
\_\_\_\_\_

16. Do you think your purchase represents good value?

Yes  No

17. Would you recommend Grizzly Imports to a friend?

Yes  No

18. Would you allow us to use your name as a reference for Grizzly customers in your area? **Note: We never use names more than three times.**

Yes  No

19. Comments: \_\_\_\_\_  
\_\_\_\_\_  
\_\_\_\_\_  
\_\_\_\_\_

CUT ALONG DOTTED LINE

FOLD ALONG DOTTED LINE

---

---

---

---

Place  
Stamp  
Here



**GRIZZLY INDUSTRIAL, INC.  
P.O. BOX 2069  
BELLINGHAM, WA 98227-2069**

---

FOLD ALONG DOTTED LINE

Send a Grizzly Catalog to a friend:

Name _____
Street _____
City _____ State _____ Zip _____

TAPE ALONG EDGES--PLEASE DO NOT STAPLE

## Free Manuals Download Website

<http://myh66.com>

<http://usermanuals.us>

<http://www.somanuals.com>

<http://www.4manuals.cc>

<http://www.manual-lib.com>

<http://www.404manual.com>

<http://www.luxmanual.com>

<http://aubethermostatmanual.com>

Golf course search by state

<http://golfingnear.com>

Email search by domain

<http://emailbydomain.com>

Auto manuals search

<http://auto.somanuals.com>

TV manuals search

<http://tv.somanuals.com>