

# *Grizzly* *Industrial, Inc.*®

## **DUST COLLECTOR** **MODEL G1028Z/G1029** **INSTRUCTION MANUAL**



COPYRIGHT © 1991 BY GRIZZLY IMPORTS, INC. REG # TX 3170576  
**WARNING: NO PORTION OF THIS MANUAL MAY BE REPRODUCED IN ANY SHAPE  
OR FORM WITHOUT THE WRITTEN APPROVAL OF GRIZZLY IMPORTS, INC.**  
REVISED FEBRUARY, 2002. PRINTED IN TAIWAN

# WARNING

Some dust created by power sanding, sawing, grinding, drilling, and other construction activities contains chemicals known to the State of California to cause cancer, birth defects or other reproductive harm. Some examples of these chemicals are:

- Lead from lead-based paints.
- Crystalline silica from bricks, cement, and other masonry products.
- Arsenic and chromium from chemically treated lumber.

Your risk from these exposures varies, depending on how often you do this type of work. To reduce your exposure to these chemicals: work in a well ventilated area, and work with approved safety equipment, such as those dust masks that are specially designed to filter out microscopic particles.

# Table Of Contents

	PAGE
<b>1. SAFETY</b>	
SAFETY INSTRUCTIONS FOR POWER TOOLS .....	2
ADDITIONAL SAFETY INSTRUCTIONS FOR DUST COLLECTORS.....	4
<b>2. CIRCUIT REQUIREMENTS</b>	
G1028Z .....	5
G1029 .....	5
GROUNDING .....	6
EXTENSION CORDS .....	6
<b>3. INTRODUCTION</b>	
COMMENTARY .....	7
UNPACKING .....	8
PIECE INVENTORY .....	8
CLEAN UP.....	9
SITE CONSIDERATIONS .....	9
<b>4. ASSEMBLY</b>	
BEGINNING ASSEMBLY .....	10
BASE .....	10
COLLECTOR BODY .....	11
OUTLET.....	11
SUPPORT BRACKETS .....	12
COLLECTOR.....	12
FLEX HOSE .....	13
BAG .....	13-14
INLET.....	14
<b>5. DESIGNING THE SYSTEM</b>	
GENERAL .....	15
MATERIAL SELECTION .....	15-16
SYSTEM GROUNDING .....	16-17
DESIGN SUGGESTIONS .....	18
<b>6. OPERATIONS</b>	
TEST RUN.....	19
GENERAL .....	19
<b>7. MAINTENANCE</b>	
GENERAL .....	20
LUBRICATION.....	20
BAG CLEANING .....	20
<b>8. CLOSURE</b> .....	21
<b>WIRE DIAGRAM</b> .....	22
<b>MACHINE DATA</b> .....	23
<b>PARTS BREAKDOWN AND PARTS LISTS</b> .....	24-25
<b>WARRANTY AND RETURNS</b> .....	26

# SECTION 1: SAFETY

## WARNING

### For Your Own Safety Read Instruction Manual Before Operating This Equipment

The purpose of safety symbols is to attract your attention to possible hazardous conditions. This manual uses a series of symbols and signal words which are intended to convey the level of importance of the safety messages. The progression of symbols is described below. Remember that safety messages by themselves do not eliminate danger and are not a substitute for proper accident prevention measures.



Indicates an imminently hazardous situation which, if not avoided, **WILL** result in death or serious injury.



Indicates a potentially hazardous situation which, if not avoided, **COULD** result in death or serious injury.



Indicates a potentially hazardous situation which, if not avoided, **MAY** result in minor or moderate injury. It may also be used to alert against unsafe practices.

## NOTICE

This symbol is used to alert the user to useful information about proper operation of the equipment.

## WARNING

### Safety Instructions For Power Tools

- KEEP GUARDS IN PLACE** and in working order.
- REMOVE ADJUSTING KEYS AND WRENCHES.** Form habit of checking to see that keys and adjusting wrenches are removed from tool before turning on.
- KEEP WORK AREA CLEAN.** Cluttered areas and benches invite accidents.
- DO NOT USE IN DANGEROUS ENVIRONMENT.** Do not use power tools in damp or wet locations, or where any flammable or noxious fumes may exist. Keep work area well lighted.
- KEEP CHILDREN AND VISITORS AWAY.** All children and visitors should be kept a safe distance from work area.
- MAKE WORKSHOP CHILD PROOF** with padlocks, master switches, or by removing starter keys.
- DO NOT FORCE TOOL.** It will do the job better and safer at the rate for which it was designed.
- USE RIGHT TOOL.** Do not force tool or attachment to do a job for which it was not designed.

# Safety Instructions For Power Tools Cont.

- 9. USE PROPER EXTENSION CORD.** Make sure your extension cord is in good condition. Conductor size should be in accordance with the chart below. The amperage rating should be listed on the motor or tool nameplate. An undersized cord will cause a drop in line voltage resulting in loss of power and overheating. Your extension cord must also contain a ground wire and plug pin. Always repair or replace extension cords if they become damaged.

Minimum Gauge for Extension Cords

AMP RATING	LENGTH		
	25ft	50ft	100ft
0-6	18	16	16
7-10	18	16	14
11-12	16	16	14
13-16	14	12	12
17-20	12	12	10
21-30	10	10	No

- 10. WEAR PROPER APPAREL.** Do not wear loose clothing, gloves, neckties, rings, bracelets, or other jewelry which may get caught in moving parts. Non-slip footwear is recommended. Wear protective hair covering to contain long hair.
- 11. ALWAYS USE SAFETY GLASSES.** Also use face or dust mask if cutting operation is dusty. Everyday eyeglasses only have impact resistant lenses, they are NOT safety glasses.
- 12. SECURE WORK.** Use clamps or a vise to hold work when practical. It's safer than using your hand and frees both hands to operate tool.
- 13. MAINTAIN TOOLS WITH CARE.** Keep tools sharp and clean for best and safest performance. Follow instructions for lubricating and changing accessories.
- 14. USE RECOMMENDED ACCESSORIES.** Consult the owner's manual for recommended accessories. The use of improper accessories may cause risk of injury.
- 15. DO NOT OVER-REACH.** Keep proper footing and balance at all times.
- 16. REDUCE THE RISK OF UNINTENTIONAL STARTING.** On machines with magnetic contact starting switches there is a risk of starting if the machine is bumped or jarred. Always disconnect from power source before adjusting or servicing. Make sure switch is in OFF position before reconnecting.
- 17. MANY WOODWORKING TOOLS CAN "KICKBACK" THE WORKPIECE** toward the operator if not handled properly. Know what conditions can create "kickback" and know how to avoid them. Read the manual accompanying the machine thoroughly.
- 18. CHECK DAMAGED PARTS.** Before further use of the tool, a guard or other part that is damaged should be carefully checked to determine that it will operate properly and perform its intended function. Check for alignment of moving parts, binding of moving parts, breakage of parts, mounting, and any other conditions that may affect its operation. A guard or other part that is damaged should be properly repaired or replaced.
- 19. NEVER LEAVE TOOL RUNNING UNATTENDED. TURN POWER OFF.** Do not leave tool until it comes to a complete stop.
- 20. NEVER OPERATE A MACHINE WHEN TIRED, OR UNDER THE INFLUENCE OF DRUGS OR ALCOHOL.** Full mental alertness is required at all times when running a machine.
- 21. NEVER ALLOW UNSUPERVISED OR UNTRAINED PERSONNEL TO OPERATE THE MACHINE.** Make sure any instructions you give in regards to machine operation are approved, correct, safe, and clearly understood.
- 22. IF AT ANY TIME YOU ARE EXPERIENCING DIFFICULTIES** performing the intended operation, stop using the machine! Then contact our service department or ask a qualified expert how the operation should be performed.

## **WARNING**

# **Additional Safety Instructions For The Dust Collector**

- 1. THIS DUST COLLECTOR IS TO BE USED FOR WOOD DUST COLLECTION ONLY.** Do not use this dust collector to pick up liquids and metal scrap including, but not limited to, nails and filings. Metallic debris will contact the spinning impeller and could spark. The spark could then cause a sawdust explosion and severe fire hazard. Also, do not pick up material which cannot safely pass through the impeller such as solid wood scraps.
- 2. DO NOT PLACE YOUR HANDS OR TOOLS NEAR THE OPEN INLET** during operation for any reason including, but not limited to, unclogging material and testing suction. The impeller could cause serious damage to body parts if touched while spinning.
- 3. PROBLEMS CONCERNED WITH ANY MOVING PARTS** or accessories must be investigated and corrected with the power disconnected and after everything has come to a complete stop.
- 4. SUSPENDED DUST PARTICLES IN CONJUNCTION WITH AN IGNITION SOURCE,** may cause an explosion. Do not operate the dust collector in areas where explosion risks would be high if dust were dispersed into the area. Areas of high risk include, but are not limited to, areas near pilot lights and/or open flames.
- 5. DO NOT ALLOW STEEL TO STRIKE AGAINST STEEL WHICH MAY PRODUCE A SPARK.** Sparks can smolder in wood dust for a long time before fire or flame is detected. If metal contacts metal during operation, immediately turn off the dust collector, unplug the power cord from the outlet or flip the disconnect switch and wait for all moving parts to stop. Remove collection bags and empty the dust into an approved air tight metal container in case of spark. Remedy the metal to metal contact problem before resuming operation.
- 6. WHEN EMPTYING DUST FROM THE COLLECTION BAGS,** wear a respirator and safety glasses. Empty dust into an approved container and dispose of properly.
- 7. IF AT ANY TIME YOU ARE EXPERIENCING DIFFICULTIES PERFORMING THE INTENDED OPERATION,** stop using the machine! Then contact our service department or ask a qualified expert how the operation should be performed.
- 8. BE AWARE THAT CERTAIN WOODS MAY CAUSE AN ALLERGIC** reaction in people and animals, especially when exposed to fine dust. Make sure you know what type of wood dust you will be exposed to in case there is a possibility of an allergic reaction. Always wear an approved respirator!

## **CAUTION**

No list of safety guidelines can be complete. Every shop environment is different. Always consider safety first, as it applies to your individual working conditions. Use this and other machinery with caution and respect. Failure to follow guidelines could result in serious personal injury, damage to equipment or poor work results.

## **CAUTION**

**DO NOT** use the dust collector for any other purpose besides collecting dust from connected woodworking machines. A dust collector should **NEVER** be used as an air cleaner. For safest use, wear a dust mask and use an air cleaner in addition to the dust collector.

# SECTION 2: CIRCUIT REQUIREMENTS

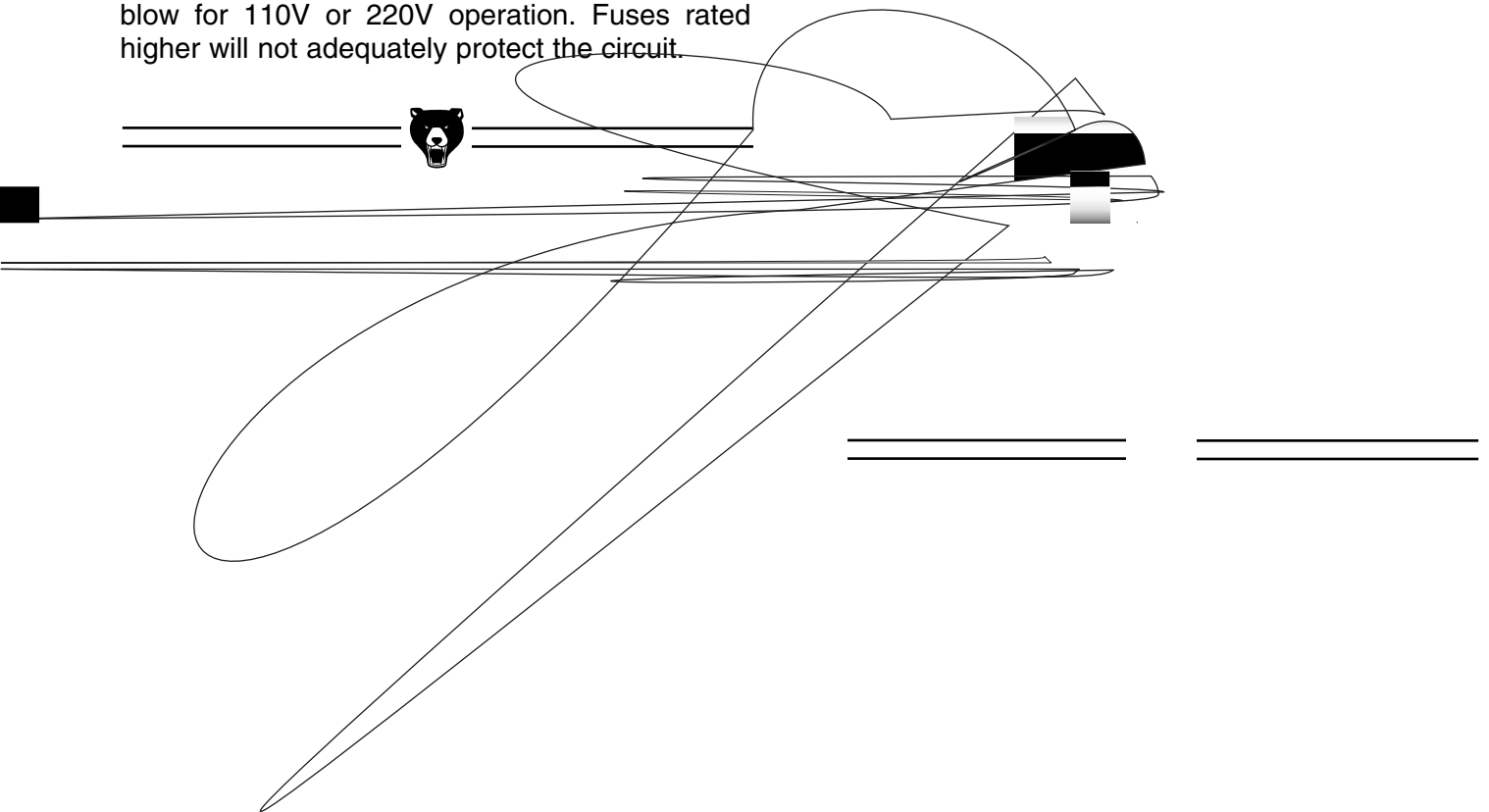
---

## G1028Z Wiring

The G1028Z Dust Collector is pre-wired for 110V, but can be rewired for 220V. Refer to the wiring diagram included with this manual for instruction. Do not attempt to rewire the motor if the diagram is missing. Contact the appropriate service center for more information.

A plug is not provided with the G1028Z. It will be necessary to purchase a standard 110V plug from your local hardware store. If you are rewiring for 220V, see **Figure 1** for the recommended 220V receptacle.

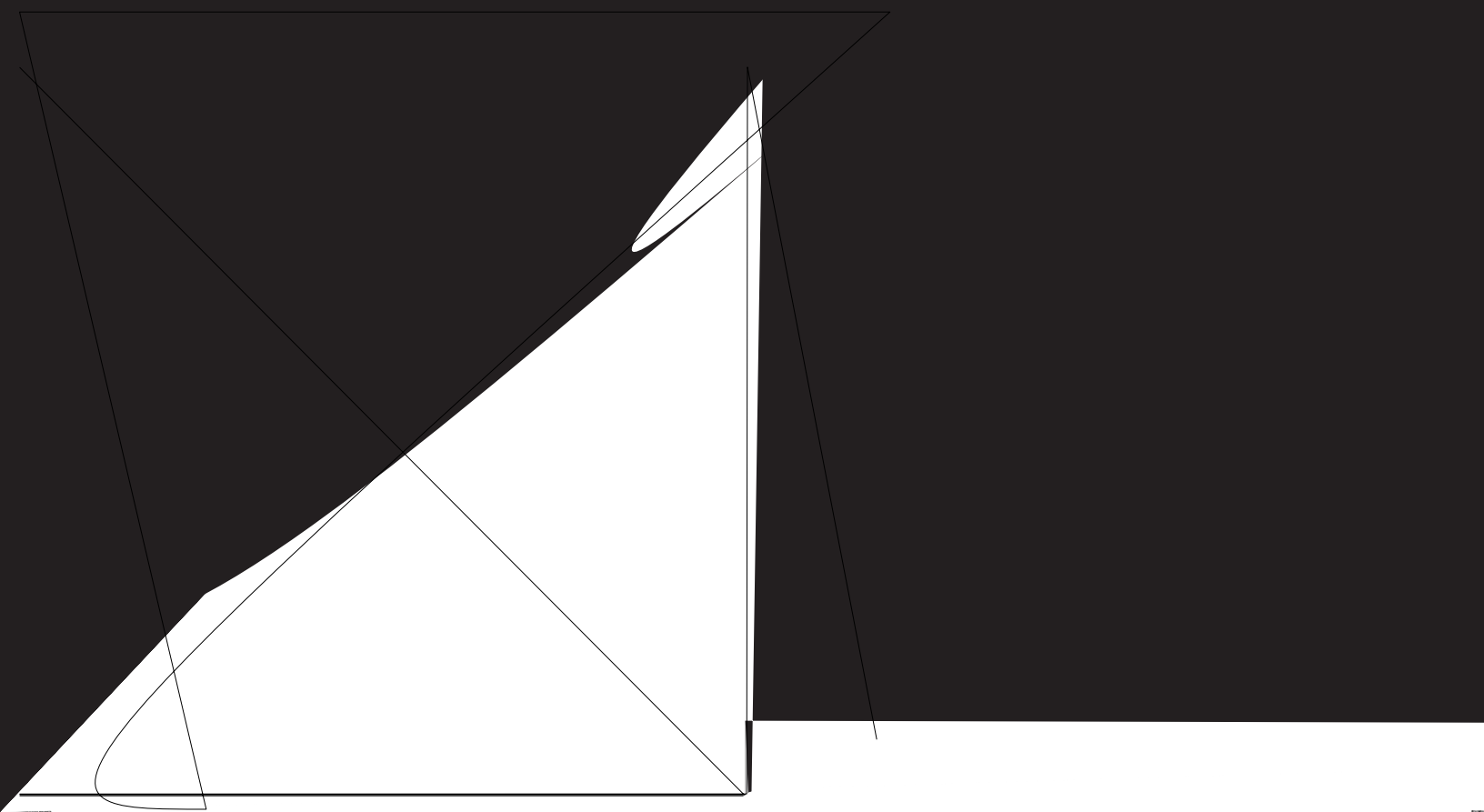
**Circuit Breaker:** The 1½ H.P. motor will draw roughly 18 amps at 110V or 9 amps at 220V. We recommend a using 20 amp circuit breaker for 110V or 220V operation. Circuit breakers rated higher will not adequately protect the circuit. If you are using a fuse, we recommend a 30 amp slow blow for 110V or 220V operation. Fuses rated higher will not adequately protect the circuit.



We do not recommend the use of extension cords with 220V equipment. Instead, arrange the placement of your equipment and the installed wiring to eliminate the need for extension cords. Should the situation be necessary to use an extension, make sure the cord is rated Hard Service (grade S) or better. Refer to the chart in **Section 1: Safety Instructions** to determine the minimum gauge for the extension cord when using either 110V or 220V. The extension cord must also contain a ground wire and plug pin. Always repair or replace extension cords when they become worn or damaged.









# Unpacking

The Model G1028Z/G1029 Dust Collector is shipped from the manufacturer in a carefully packed carton. If you discover the machine is damaged after you've signed for delivery, *please call Customer Service immediately for advice.*

Save the containers and all packing materials for possible inspection by the carrier or its agent. *Otherwise filing a freight claim can be difficult.*

When you are completely satisfied with the condition of your shipment, you should inventory its parts.

	<p><b>⚠ WARNING</b></p> <p>The G1028Z/G1029 is a heavy machine, 116/140 lbs. shipping weight. <b>DO NOT</b> over-exert yourself while unpacking or moving your machine – you will need assistance. Serious personal injury may occur if safe moving methods are not followed.</p>
--	---

	<p><b>⚠ CAUTION</b></p> <p>Some metal parts may have sharp edges on them after they are formed. Please examine the edges of all metal parts before handling them. Failure to do so could result in injury.</p>
---	--



# Piece Inventory

After all the parts have been removed from the carton, you should have:

- Collector Body Assembly
- Base
- “Y” Inlet
- Collection/Filter Bags
- Lower Support Brackets (2)
- Casters (4)
- Rubber Gasket
- Upper Support Bracket
- Outlet
- Outlet Hose
- Hose Clamps
- Hex Bolts  $\frac{5}{16}$ "-18 x  $\frac{1}{2}$ " (36)


In the event that any non-proprietary parts are missing (e.g. a nut or a washer), we would be glad to replace them, or, for the sake of expediency, replacements can be obtained at your local hardware store.


<p><b>NOTICE</b></p> <p>A full parts list and breakdown can be found toward the end of this manual. For easier assembly, or to identify missing parts, please refer to the detailed illustrations at the end of the manual.</p>
---

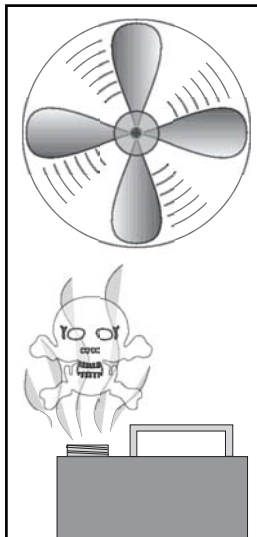


# Clean Up

The unpainted surfaces are coated with a waxy oil to protect them from corrosion during shipment. Remove this protective coating with a solvent cleaner or citrus-based degreaser such as Grizzly's G7895 Degreaser. Avoid chlorine-based solvents as they may damage painted surfaces should they come in contact. Always follow the usage instructions on the product you choose for clean up.

	<p><b>⚠️ WARNING</b> Do not use gasoline or other petroleum-based solvents. They have low flash points which make them extremely flammable. A risk of explosion and burning exists if these products are used. Serious personal injury may occur if this warning is ignored.</p>
--	--

	<p><b>⚠️ WARNING</b> Do not smoke while using solvents. A risk of explosion or fire exists and may result in serious personal injury.</p>
---	---

	<p><b>⚠️ CAUTION</b> Many of the solvents commonly used to clean machinery can be toxic when inhaled or ingested. Always work in well-ventilated areas far from potential ignition sources when dealing with solvents. Use care when disposing of waste rags and towels to be sure they do not create fire or environmental hazards.</p>
---	--



# Site Considerations

## FLOOR LOAD

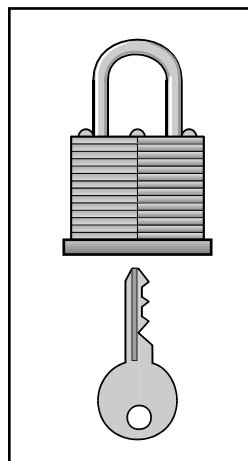
Your Model G1028Z/G1029 represents a moderate weight load in an average footprint. Most commercial or home shop floors should be sufficient to carry the weight of the Model G1028Z/G1029. If you question the strength of your floor, you can opt to reinforce it.

## WORKING CLEARANCES

Working clearances can be thought of as the distances between machines and obstacles that allow safe operation of every machine without limitation. Consider existing and anticipated machine needs, size of material to be processed through each machine, and space for auxiliary stands and/or work tables. Also, consider the relative position of each machine to one another for efficient material handling. Be sure to allow yourself sufficient room to safely run your machines in any foreseeable operation and keep dust collection hoses off the floor and out of the way.

## LIGHTING AND OUTLETS

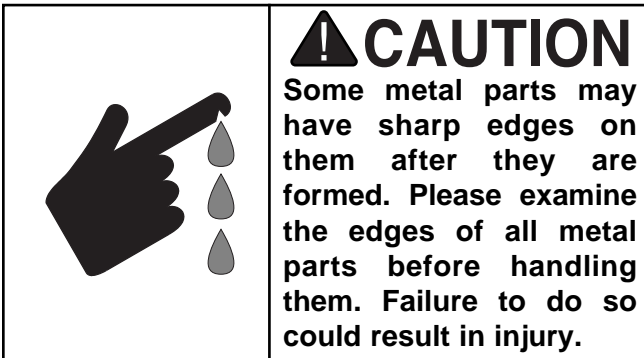
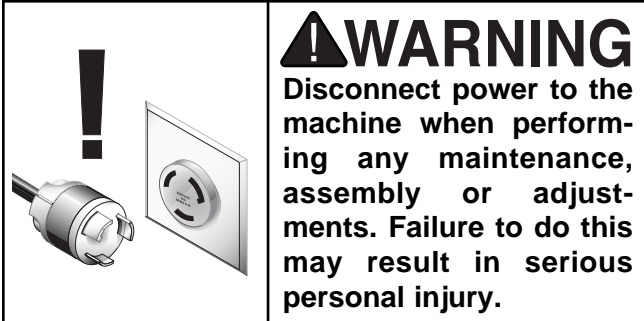
Lighting should be bright enough to eliminate shadows and prevent eye strain. Electrical circuits should be dedicated or large enough to handle combined motor amp loads. Outlets should be located near each machine so power or extension cords are not obstructing high-traffic areas. Be sure to observe local electrical codes for proper installation of new lighting, outlets, or circuits.

	<p><b>⚠️ CAUTION</b> Make your shop "child safe." Ensure that your workplace is inaccessible to youngsters by closing and locking all entrances when you are away. Never allow visitors in your shop when assembling, adjusting or operating equipment.</p>
--	---



# SECTION 4: ASSEMBLY

## Beginning Assembly



We have organized the assembly process into steps. Please follow along in the order presented here.

**Tools Required:** 12mm open end wrench, regular and Phillips head screwdriver.



## Base

Position the base plate upside down and locate the casters so they are within easy reach. Mount the casters to the base plate using sixteen (16)  $\frac{5}{16}$ "-18 x  $\frac{1}{2}$ " hex bolts provided. **See Figure 2.**



Figure 2. Mounting casters to base.





# Collector

---

The collector attaches to each support bracket. The inside of the collector is funnel shaped and directs the air around in a cyclone motion. Make sure that the inside taper (funnel) is faced downward and the collector inlet faces toward the collector body.

Secure the front support bracket to the collector with two (2)  $\frac{5}{16}$ "-18 x  $\frac{3}{4}$ " hex bolts provided. Before securing the rear support bracket to the collector, line up the upper bag support bracket bolt holes with the collector support bracket bolt holes and the collector. Secure with two (2)  $\frac{5}{16}$ "-18 x  $\frac{3}{4}$ " bolts provided, as shown in **Figure 6**.

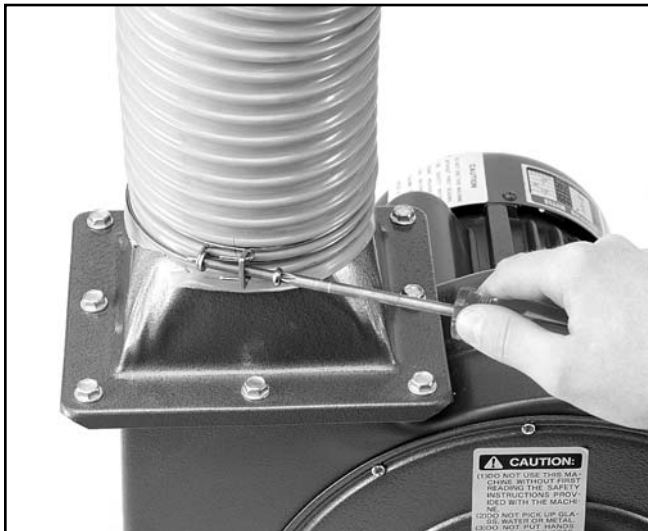


**Figure 6.** Mounting collector to brackets.



# Flex Hose

Slip a loosened hose clamp over each end of the flex-hose and slide one end of the flex-hose over the outlet flange. Slide the other end of the flex-hose onto the collector. Tighten each hose clamp until snug as shown in **Figure 7**.



**Figure 7.** Attaching flex hose.



# Bags

1. Hook the top loop of the filter bag over the support bracket as shown in **Figure 8**.



**Figure 8.** Attaching filter bag.

2. Slip the top collection bag over the top edge of the collector and pull the strap tight to secure the bag as shown in **Figure 9**.



**Figure 9.** Securing collection bag.

3. Slip the steel band around the bag and tighten down as shown in **Figure 10**.



**Figure 10.** Tightening steel band.

## Inlet

---

---

Press the “Y” inlet onto the inlet cover flange as shown in **Figure 11**. The inlet is secured to the collector body by a press-on fit.

**Figure 11.** Installing “Y” inlet.

---

---





# SECTION 5: Designing The System

---

## General

---

The Model G1028Z/G1029 can be operated as either a stationary or a mobile unit. There are advantages and disadvantages to both set-ups. The advantage of the mobile system is eliminating the cost of many ducts and fittings. On the other hand, the stationary system is more versatile and convenient.

The Model G1028Z/G1029 is designed to be a central dust collector system. Locate the dust collector in an out of the way location such as a corner or separate room. The dust collector is capable of collecting dust from up to two machines running simultaneously. Because of the large suction capacity of the Model G1028Z/G1029, great flexibility is possible in the planning and designing of your dust collection duct layout. Grizzly offers a complete line of dust collection accessories for setting up a stationary system. Additionally, Grizzly offers a complete guide book entitled *Dust Collection Basics*.

Whatever system you choose, always make sure there are no open flames or pilot lights in the same room as the dust collector. There is a risk of explosion if dust is dispersed into the air.



## Material Selection

---

You have many choices regarding main line and branch line duct material. In most commercial workshops, the main line and branch lines are usually metal duct. Flexible hose is then used to connect each machine to the branch lines. In the case of small home shops, flexible hose may be used for both main line and branch line ducts. Plastic duct is also a popular material for home shops. Please be aware that there is a fire or explosion hazard if plastic duct material is used for dust collection without being grounded against static electrical charge build-up. This topic will be discussed later in the manual.

### METAL DUCT

Metal duct comes in many varieties. Stove pipe, heating/ventilation duct and duct made especially for dust collection are all options. Advantages of metal duct is its conductivity and that it does not contribute to static electrical charge build-up. However, static charges are still produced when dust particles strike other dust particles as they move through the duct. Since metal duct is a conductor, it can be grounded quite easily to dissipate any static electrical charges. However, metal duct is generally more expensive than plastic duct and it is not usually airtight unless specifically manufactured for dust collection. Specially manufactured metal duct, on the other hand, is quite expensive. Metal duct is also generally more difficult to cut and assemble.

### FLEXIBLE HOSE

Flexible rubber hose, polyethylene, plastic flex-hose and other flexible ribbed hose is generally used for short runs, small shops and at rigid duct-to-tool connections. There are many different types of flex hose on the market today. These are manufactured from materials such as polyethylene, PVC, cloth hose dipped in rubber and even metal, including steel and aluminum.

There are also many kinds of pure plastic flexible hose, such as non-perforated drainage type hose and dryer vent hose. Drainage type hose, while being economical, does not quite have the flexibility required for dust collection. The inside of the duct is also deeply corrugated and can increase the static pressure loss by as much as 50% over smooth wall duct. Dryer vent hose, while being completely flexible, is non-resistant to abrasion and has a tendency to collapse in a negative pressure system.

If using flex-hose, you should choose one of the many types that are designed specifically for the movement of solid particles, i.e. dust, grains and plastics. However, the cost of specifically designed flexible duct can vary greatly. Grizzly offers polyethylene hose which is well suited for the removal of particulate matter, especially sawdust, since it is durable and completely flexible. Polyethylene is also very economical and available in a wide variety of diameters and lengths for most applications.

## PLASTIC DUCT

The popularity of plastic duct is due to the fact that it is an economical and readily available product. It is also simple to assemble and easily sealed against air loss. The primary disadvantage of plastic duct for dust collection, whether black ABS or white PVC and even rubber or polyethylene flex-hose, is the inherent danger of static electrical build-up.

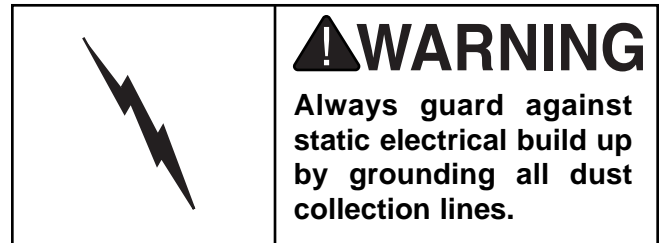


# System Grounding

Since plastic hose is abundant, relatively inexpensive, easily assembled and air tight, it is a very popular material for conveying dust from woodworking machines to the dust collector. We recommend using flexible hose (flex-hose) to connect the woodworking machine to the dust collector. However, plastic flex-hose and plastic duct are an insulator, and dust particles moving against the walls of the plastic duct create a static electrical build up. This charge will build until it discharges to a ground. If a grounding medium is not available to prevent static electrical build up, the electrical charge will arc to the nearest grounded source. This electrical discharge may cause an explosion and subsequent fire inside the system.

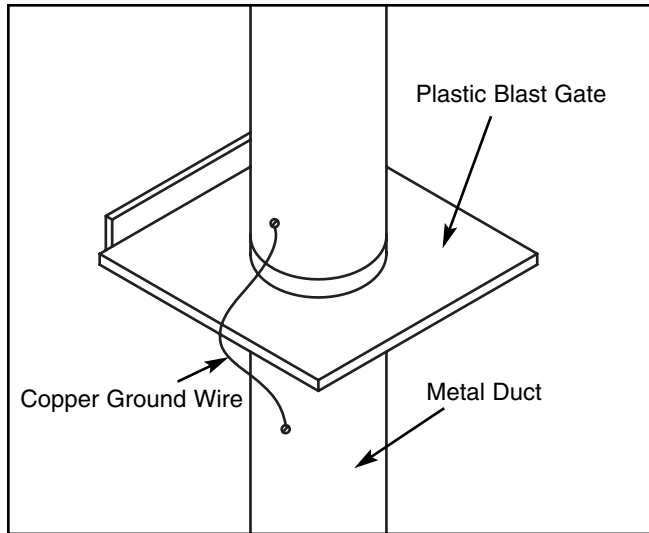
To protect against static electrical build up inside a non-conducting duct, a bare copper wire should be placed inside the duct along its length and grounded to the dust collector. You must also confirm that the dust collector is continuously grounded through the electrical circuit to the electric service panel.

If you connect the dust collector to more than one machine by way of a non-conducting branching duct system and blast gates, the system must still be grounded as mentioned above. We recommend inserting a continuous bare copper ground wire inside the entire duct system and attaching the wire to each grounded woodworking machine and dust collector.



Be sure that you extend the bare copper wire down all branches of the system. Do not forget to connect the wires to each other with wire nuts when two branches meet at a "Y" or "T" connection.

Ensure that the entire system is grounded. If using plastic blast gates to direct air flow, the grounding wire must be jumped (**Figure 12**) around the blast gate without interruption to the grounding system.



**Figure 12.** Ground jumper wire when using plastic blast gates and metal duct.



# Design Suggestions

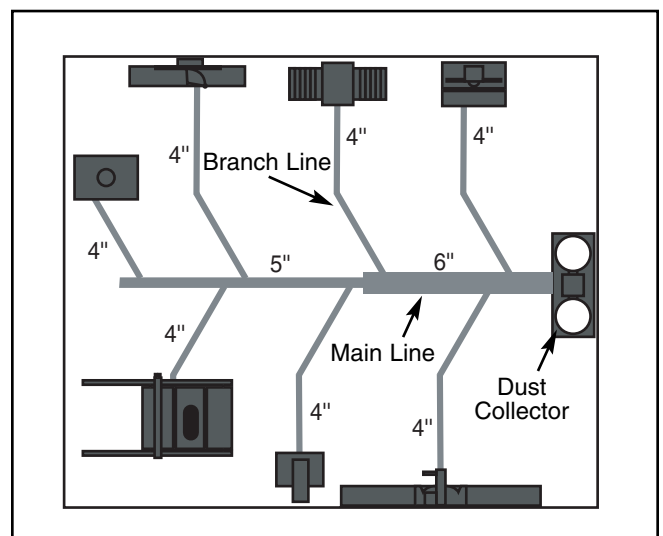
---

When designing a successful dust collection system, planning is the most important step. Before you set out to run the first section of duct, consider these general guidelines for an efficient system:

1. Machines that produce the most saw dust should be placed nearest to the dust collector. These machines include thickness planers, shapers, sanders and bandsaws.
2. Ideally, you should design the duct system to have the shortest possible mainline run and to have short secondary branch ducts.
3. Directional changes should be kept to a minimum. The more directional change fittings you use, the greater the loss of overall pressure.
4. Gradual directional changes are more efficient than sudden directional changes (i.e. use the largest corner radius possible when changing hose or pipe direction).
5. Each individual machine should have a blast gate to control suction from one machine to another.
6. The simpler the system, the more efficient and less costly it will be.

The best way to plan your new system is to draw a bird's eye view (as shown in **Figure 14**) of your shop and sketch the following:

1. Your desired location of the dust collector, usually in a corner or along a wall.
2. The location of each machine in the system.
3. The location of the main line duct and each branch line.
4. The location of any obstruction such as a joist or heating duct, that will require special duct routing.



**Figure 14.** Bird's eye planning view.



# SECTION 6: OPERATIONS

---

---

## Test Run

---

---

### **WARNING**

Disconnect power to the machine when performing any maintenance, assembly or adjustments. Failure to do this may result in serious personal injury.

Once assembly is complete and adjustments are done to your satisfaction, you are ready to test run the machine.

Turn on the power supply at the main panel. Press the *START* button. Make sure that your finger is poised on the *STOP* button, just in case there is a problem. The dust collector should run smoothly, with little or no vibration or rubbing noises. Strange or unnatural noises should be investigated and corrected before operating the machine further.

If you cannot easily locate the source of an unusual noise or vibration, contact our service department for help.



## General

---

---



# SECTION 7: MAINTENANCE

---

---

## Lubrication

---

---

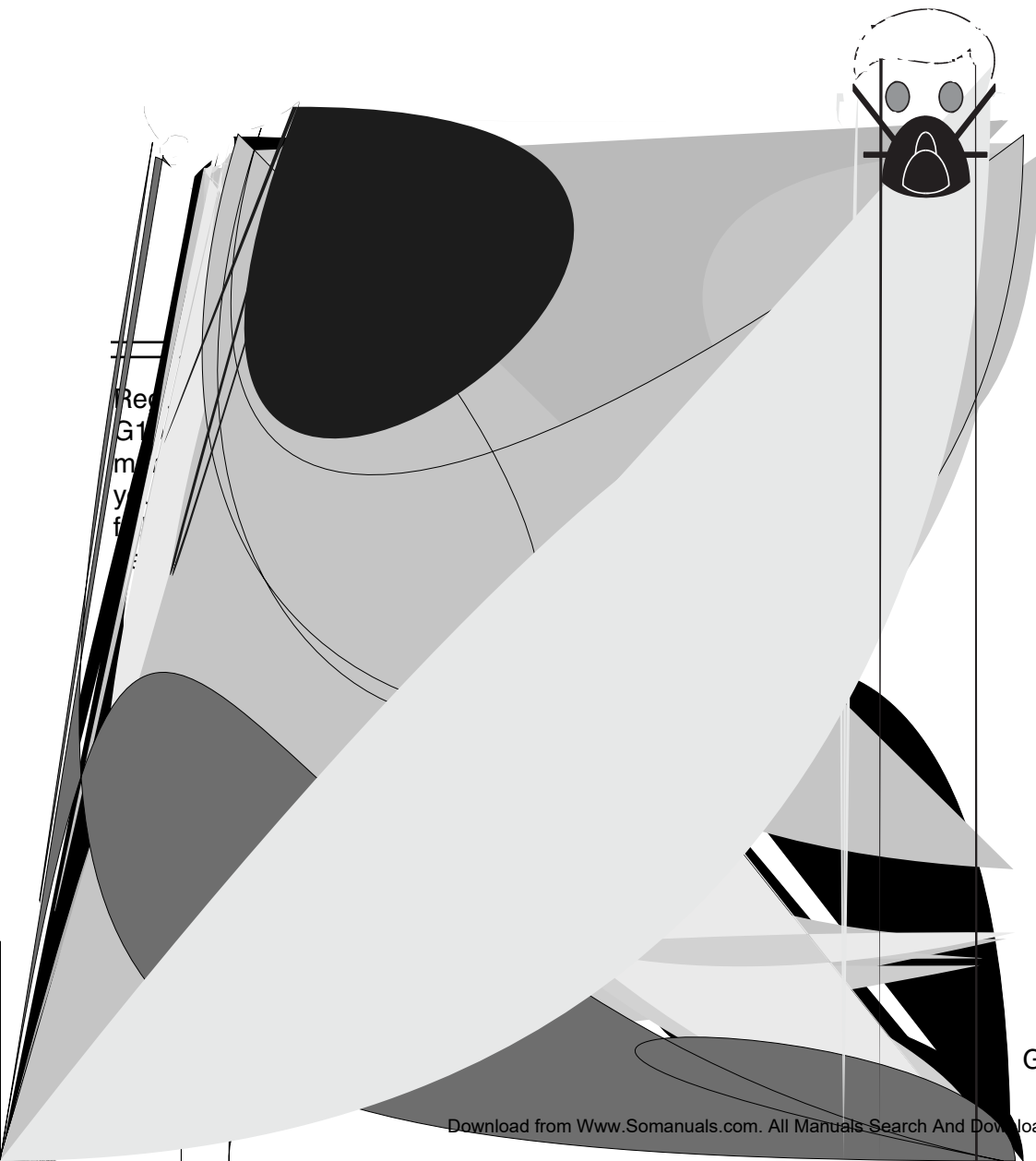
Since all bearings are shielded and permanently lubricated, simply leave them alone until they need to be replaced. Do not lubricate them.

## Bag Cleaning

---

---

Always wear a dust mask when changing the dust collection bags on the dust collector. Sawdust may cause allergic reactions or respiratory problems.



G1028Z/G1029 Dust Collector

# SE

The following pages contain technical data, parts diagram, parts list and other information for your Model G1028Z Collector.

If you need parts or help with your machine, or if you need operator instructions, we encourage you to call the Grizzly Service Department. Our technicians will be glad to help you.

If you have comments or suggestions about this manual, please write to Grizzly, Inc., Washington location using the address in the Introduction. The specific photographs illustrated in the manual for the Model G1028Z/G1029Z were prepared after our policy of continuous improvement. Improvements can be made at any time with no notice to you of Grizzly.

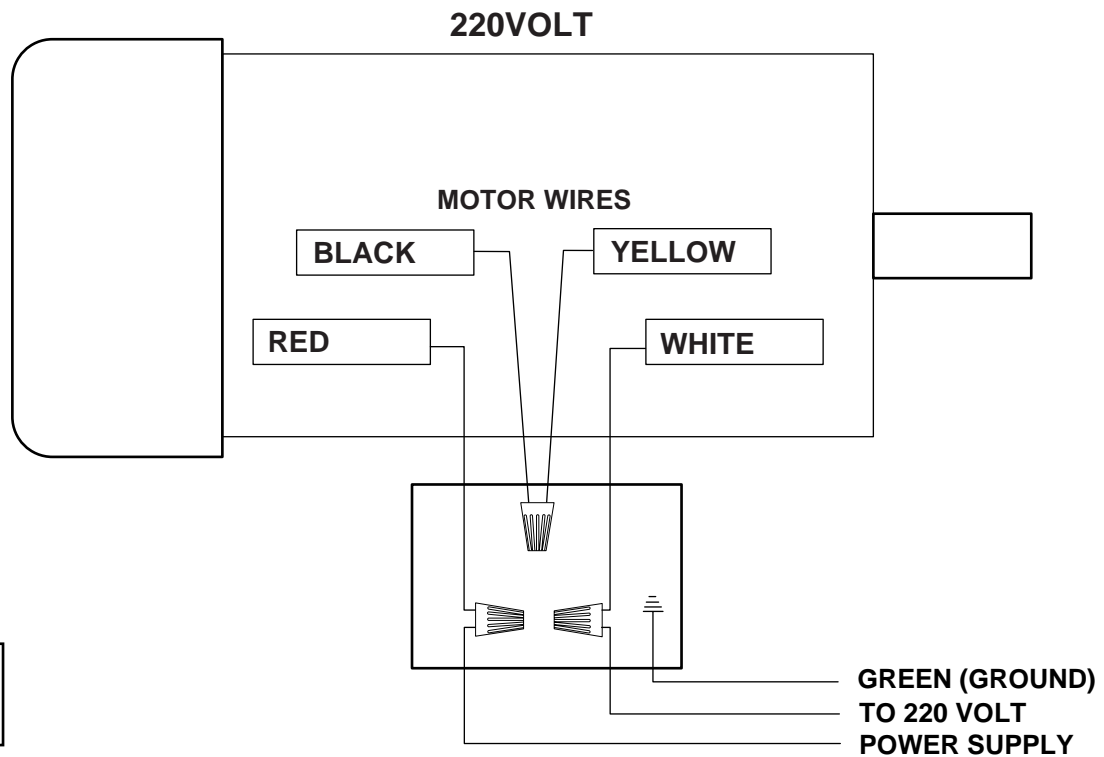
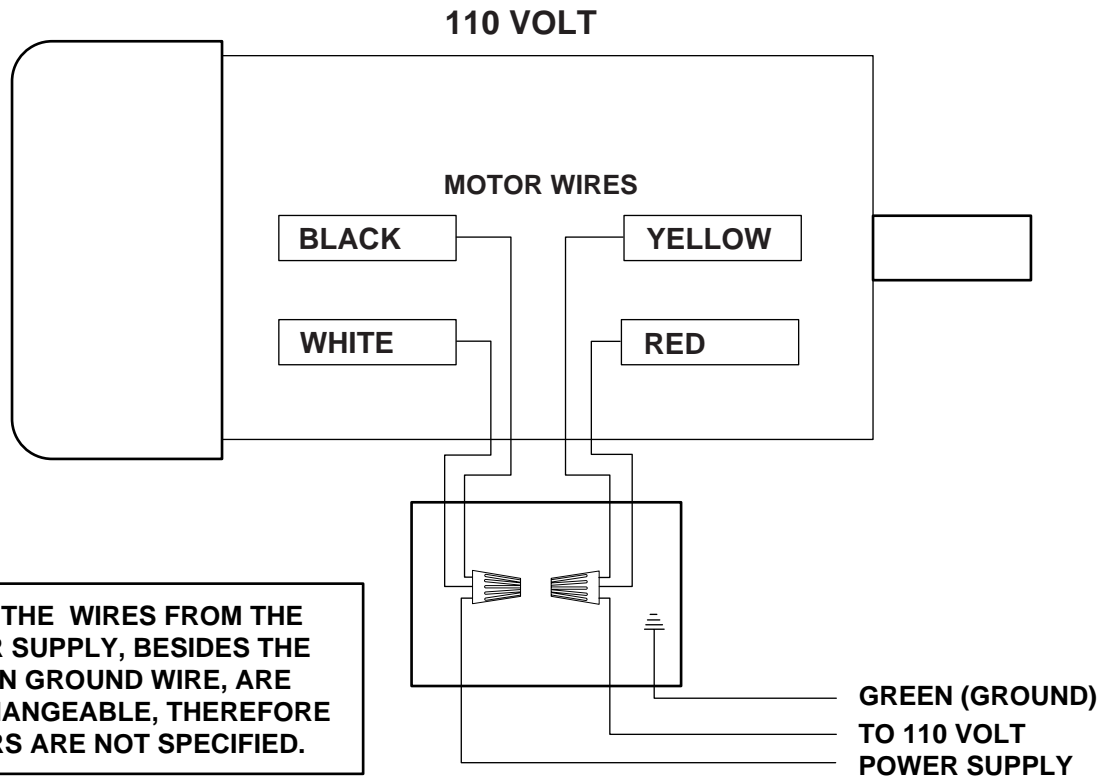
We have included some important safety instructions that are essential to the safe operation. While most safety measures are universal, Grizzly reminds you that your shop is different and safety measures should be considered as they apply to you.

## **WARNING**

Operating this equipment can result in flying debris to cause injury. Always wear safety glasses or goggles when operating equipment. Everyday eyeglasses only have impact resistance, they are not safety glasses. Use the safety glasses you wear that meet the appropriate standards of the American National Standards Institute (ANSI).



# WIRE DIAGRAM







# MACHINE DATA SHEET

Customer Service #: (570) 546-9663 • To Order Call: (800) 523-4777 • Fax #: (800) 438-5901

## GRIZZLY MODEL G1028Z/G1029 DUST COLLECTOR

**Design Type:**.....Single Stage - Upright on Casters

### Overall Dimensions:

Base .....	21 <sup>1</sup> / <sub>4</sub> " x 33 <sup>1</sup> / <sub>2</sub> "
Height .....	78"
Intake Hole Size, G1028Z .....	6"
Intake Hole Size, G1029 .....	6"
Intake Hole Size W/ Adapter .....	4" x 2 Holes
Bag Size (Each) .....	19" x 33"
Bag Capacity (Each) .....	5 cu. ft.
Bag Material .....	Fabric
Shipping Weight, G1028Z .....	116 lbs.
Shipping Weight, G1029 .....	140 lbs.
Impeller Size, G1028Z .....	11"
Impeller Size, G1029 .....	12"
Air Suction Capacity, G1028Z .....	1400 C.F.M.
Air Suction Capacity, G1029 .....	1600 C.F.M.
Static Pressure (Inches of Water), G1028Z .....	9"
Static Pressure (Inches of Water), G1029 .....	11"

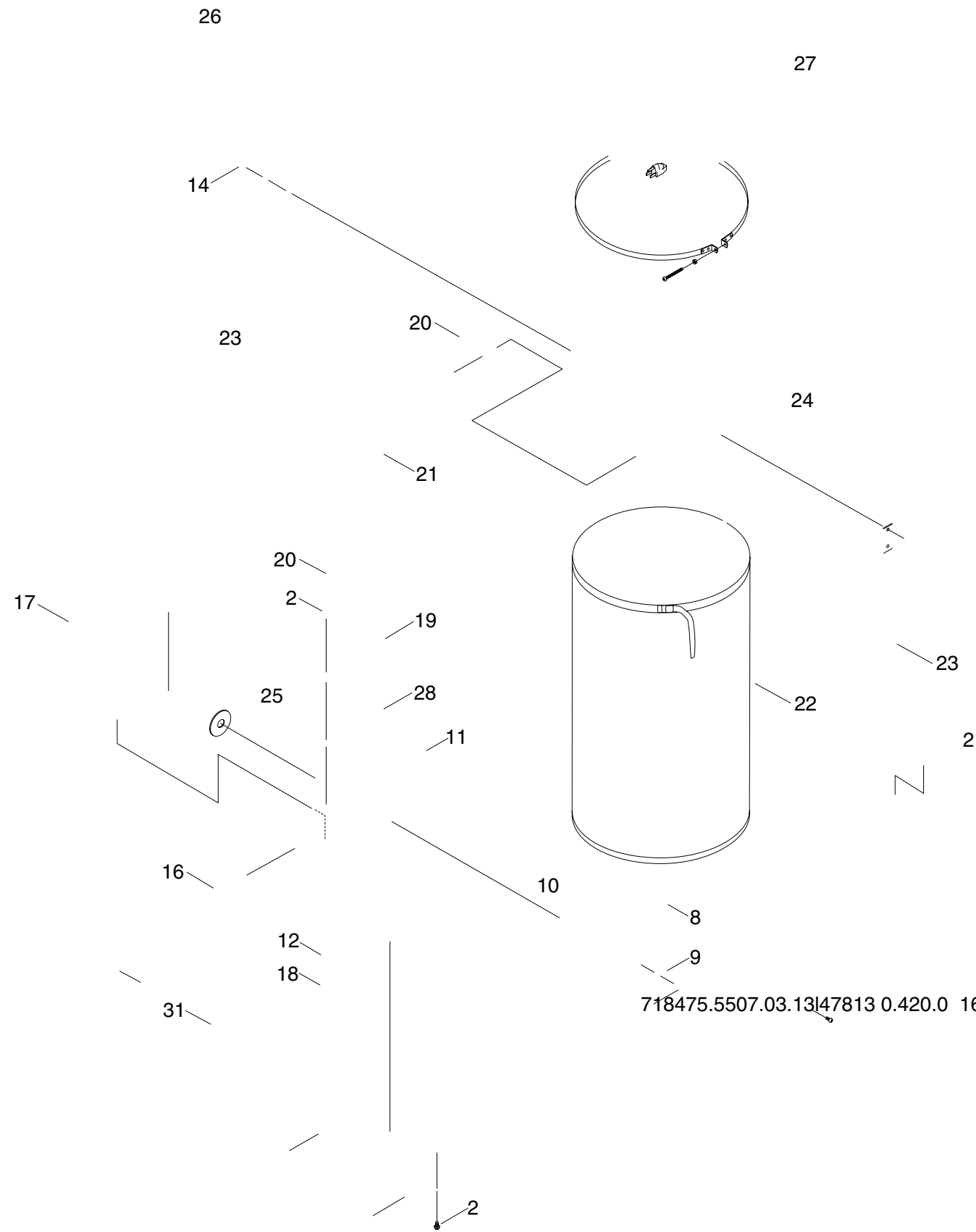
### Construction:

Base .....	Fabricated Sheet Metal with Casters
Impeller Type .....	Radial
Impeller Blade Thickness .....	<sup>3</sup> / <sub>32</sub> " Steel - Riveted On

### Electrical:

Type .....	TEFC Capacitor Start Induction Motor
Horsepower, G1028Z .....	1 <sup>1</sup> / <sub>2</sub> H.P.
Horsepower, G1029 .....	2 H.P.
Phase/Cycle .....	Single/60 HZ
Voltage, G1028Z .....	110/220V
Voltage, G1029 .....	220V
Amps, G1028Z .....	18/9
Amps, G1029 .....	12
R.P.M .....	3450
Bearings .....	Sealed & Lubricated-for-Life, Ball Bearing

*Specifications, while deemed accurate, are not guaranteed.*



718475.5507.03.13|47813 0.420.0 160.76981 005

REF	PART #	DESCRIPTION
1	P1028001	CASTER
2	PFB01	FLANGE BOLT $\frac{5}{16}$ "-18 x $\frac{1}{2}$ "
4	P1028004	BASE PLATE
5	PS06	PHLP HD SCR 10-24 X $\frac{3}{8}$ "
6	P1028Z006	INLET COVER (G1028Z)
6A	P1029006A	INLET COVER (G1029)
7	P1028007	CAP SCREW
8	PB09	HEX BOLT $\frac{5}{16}$ "-18 x $\frac{1}{2}$ "
9	P1028009	SPECIAL WASHER
10	P1028010	10" IMPELLER (G1028Z)
10	P1029010	10" IMPELLER (G1029)
11	P1028011	COLLECTOR BODY
12	PW07	FLAT WASHER $\frac{5}{16}$ "
14	PFB01	FLANGE BOLT $\frac{5}{16}$ "-18 x $\frac{1}{2}$ "
15	PB03	HEX BOLT $\frac{5}{16}$ "-18 x 1"
16	PSW04	SWITCH
17	P1028Z017	MOTOR, 1 $\frac{1}{2}$ H.P. (G1028Z)
17	P1029017	MOTOR, 2 H.P. (G1029)
18	PN02	HEX NUT $\frac{5}{16}$ "-18
19	P1028019	OUTLET
20	P1028020	HOSE CLAMP
21	P1028021	HOSE
22	G1027	BAG, LOWER
23	P1028023	COLLECTOR SUPPORT
24	P1028024	COLLECTOR
25	P1028025	PACKING (G1028Z)
25	P1029025	PACKING (G1029)
26	P1028026	UPPER BAG SUPPORT
27	G1027	BAG, UPPER
28	P1028028	GASKET
29B	P1029029B	Y-INLET 6" X 4" X 4"
29A	P1029029A	INLET CAP 6"
30	PK32M	KEY 6 x 6 x 28 (G1028Z)
30	PK28M	KEY 7 x 7 x 29 (G1029)
31	PWRCRD220S	POWER CORD
34	PWRCRD220L	MOTOR CORD
35	P1028035	FILTER CLAMP
38	P1028Z038	QUICK RELEASE CLAMP

# WARRANTY AND RETURNS

---

---

Grizzly Industrial, Inc. warrants every product it sells for a period of **1 year** to the original purchaser from the date of purchase. This warranty does not apply to defects due directly or indirectly to misuse, abuse, negligence, accidents, repairs or alterations or lack of maintenance. This is Grizzly's sole written warranty and any and all warranties that may be implied by law, including any merchantability or fitness, for any particular purpose, are hereby limited to the duration of this written warranty. We do not warrant or represent that the merchandise complies with the provisions of any law or acts unless the manufacturer so warrants. In no event shall Grizzly's liability under this warranty exceed the purchase price paid for the product and any legal actions brought against Grizzly shall be tried in the State of Washington, County of Whatcom.

We shall in no event be liable for death, injuries to persons or property or for incidental, contingent, special, or consequential damages arising from the use of our products.

To take advantage of this warranty, contact us by mail or phone and give us all the details. We will then issue you a "Return Number," which must be clearly posted on the outside as well as the inside of the carton. We will not accept any item back without this number. Proof of purchase must accompany the merchandise.

The manufacturers reserve the right to change specifications at any time because they constantly strive to achieve better quality equipment. We make every effort to ensure that our products meet high quality and durability standards and we hope you never need to use this warranty.

Please feel free to write or call us if you have any questions about the machine or the manual.

Thank you again for your business and continued support. We hope to serve you again soon.

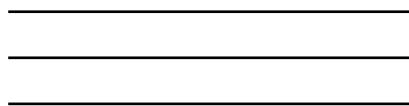
# WARRANTY CARD

Name \_\_\_\_\_  
Street \_\_\_\_\_  
City \_\_\_\_\_ State \_\_\_\_\_ Zip \_\_\_\_\_  
Phone Number \_\_\_\_\_ E-Mail \_\_\_\_\_ FAX \_\_\_\_\_  
MODEL # \_\_\_\_\_ SERIAL # \_\_\_\_\_ Order # \_\_\_\_\_

The following information is given on a voluntary basis. It will be used for marketing purposes to help us develop better products and services. Of course, all information is strictly confidential.

- How did you learn about us?  
 Advertisement                       Friend  
 Catalog                                   Card Deck  
 World Wide Web  
 Other \_\_\_\_\_
- Which of the following magazines do you subscribe to.  
 American Woodworker                       Practical Homeowner  
 Cabinetmaker                                   Shop Notes  
 Family Handyman                               Today's Homeowner  
 Fine Homebuilding                               WOOD  
 Fine Woodworking                               Wooden Boat  
 Home Handyman                                   Woodshop News  
 Journal of Light Construction                       Woodsmith  
 Old House Journal                                   Woodwork  
 Popular Mechanics                                   Woodworker  
 Popular Science                                   Woodworker's Journal  
 Popular Woodworking                               Workbench  
 Other \_\_\_\_\_
- Which of the following woodworking/remodeling shows do you watch?  
 Backyard America                               The New Yankee Workshop  
 Home Time     This Old House  
 The American Woodworker                       Woodwright's Shop  
 Other \_\_\_\_\_
- What is your annual household income?  
 \$20,000-\$29,999                                   \$60,000-\$69,999  
 \$30,000-\$39,999                                   \$70,000-\$79,999  
 \$40,000-\$49,999                                   \$80,000-\$89,999  
 \$50,000-\$59,999                                   \$90,000 +
- What is your age group?  
 20-29     50-59  
 30-39     60-69  
 40-49     70 +
- How long have you been a woodworker?  
 0 - 2 Years     8 - 20 Years  
 2 - 8 Years     20+ Years
- How would you rank your woodworking skills?  
 Simple     Advanced  
 Intermediate     Master Craftsman
- What stationary woodworking tools do you own? Check all that apply.  
 Air Compressor                                   Panel Saw  
 Band Saw     Planer  
 Drill Press     Power Feeder  
 Drum Sander     Radial Arm Saw  
 Dust Collector     Shaper  
 Horizontal Boring Machine                       Spindle Sander  
 Jointer     Table Saw  
 Lathe     Vacuum Veneer Press  
 Mortiser     Wide Belt Sander  
 Other \_\_\_\_\_
- How many of your woodworking machines are Grizzly? \_\_\_\_\_
- Which benchtop tools do you own? Check all that apply.  
 1" x 42" Belt Sander                                   6" - 8" Grinder  
 5" - 8" Drill Press                                   Mini Lathe  
 8" Table Saw     10" - 12" Thickness Planer  
 8" - 10" Bandsaw                                   Scroll Saw  
 Disc/Belt Sander                                   Spindle/Belt Sander  
 Mini Jointer  
 Other \_\_\_\_\_
- How many of the machines checked above are Grizzly? \_\_\_\_\_
- Which portable/hand held power tools do you own? Check all that apply.  
 Belt Sander     Orbital Sander  
 Biscuit Joiner     Palm Sander  
 Circular Saw     Portable Planer  
 Detail Sander     Saber Saw  
 Drill/Driver     Reciprocating Saw  
 Miter Saw     Router  
 Other \_\_\_\_\_
- What machines/supplies would you like Grizzly Industrial to carry?  
\_\_\_\_\_  
\_\_\_\_\_
- What new accessories would you like Grizzly Industrial to carry?  
\_\_\_\_\_  
\_\_\_\_\_
- What other companies do you purchase your tools and supplies from?  
\_\_\_\_\_  
\_\_\_\_\_
- Do you think your purchase represents good value?  
 Yes     No
- Would you recommend Grizzly Industrial to a friend?  
 Yes     No
- Would you allow us to use your name as a reference for Grizzly customers in your area? **Note: We never use names more than three times.**  
 Yes     No
- Comments: \_\_\_\_\_  
\_\_\_\_\_  
\_\_\_\_\_  
\_\_\_\_\_

FOLD ALONG DOTTED LINE



FOLD ALONG DOTTED LINE









## Free Manuals Download Website

<http://myh66.com>

<http://usermanuals.us>

<http://www.somanuals.com>

<http://www.4manuals.cc>

<http://www.manual-lib.com>

<http://www.404manual.com>

<http://www.luxmanual.com>

<http://aubethermostatmanual.com>

Golf course search by state

<http://golfingnear.com>

Email search by domain

<http://emailbydomain.com>

Auto manuals search

<http://auto.somanuals.com>

TV manuals search

<http://tv.somanuals.com>