



# 3/8" STRAIGHT AIR DRILL MODEL H6363 INSTRUCTION SHEET

## Introduction

The Model H6363 is ideal for production drilling applications. It features a paddle switch with safety release, 2,600 RPM free speed and 3/8" drilling capacity. Recommended air pressure is 90 PSI and average air consumption is 6 CFM. Includes a 1/4" NPT air fitting and chuck key.

## Inventory

- A. Air Drill..... 1
- B. 1/4" NPT Air Fitting..... 1
- C. Chuck Key..... 1

## Lubricating Your New Air Drill

Lubricate your air drill with pneumatic tool oil. If you do not have a lubricator installed in your air line, place 1–2 drops of pneumatic tool oil into the air fitting daily, as shown in **Figure 2**.



Figure 1. Model H6363.

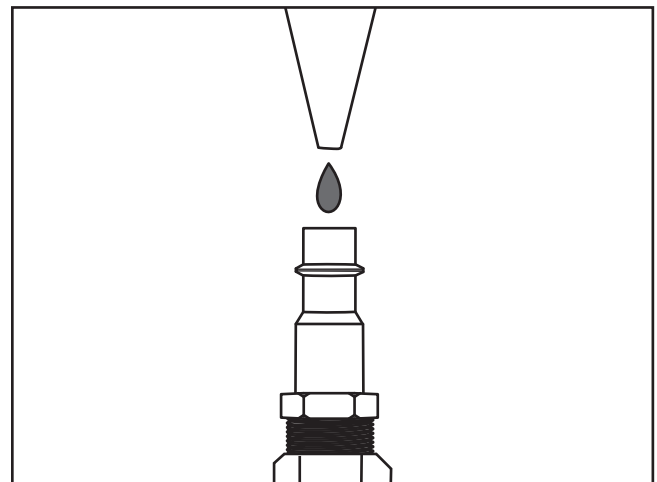
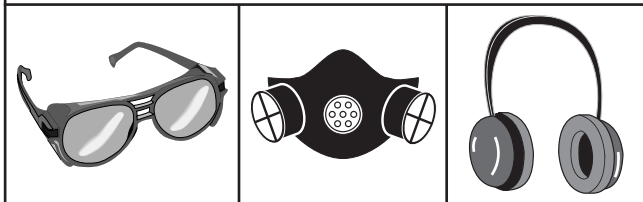


Figure 2. Lubricating the Model H6363.

## ! WARNING

Damage to your eyes, lungs, and ears could result from using this drill without proper protective gear. Always wear safety glasses, a respirator, and hearing protection while drilling.

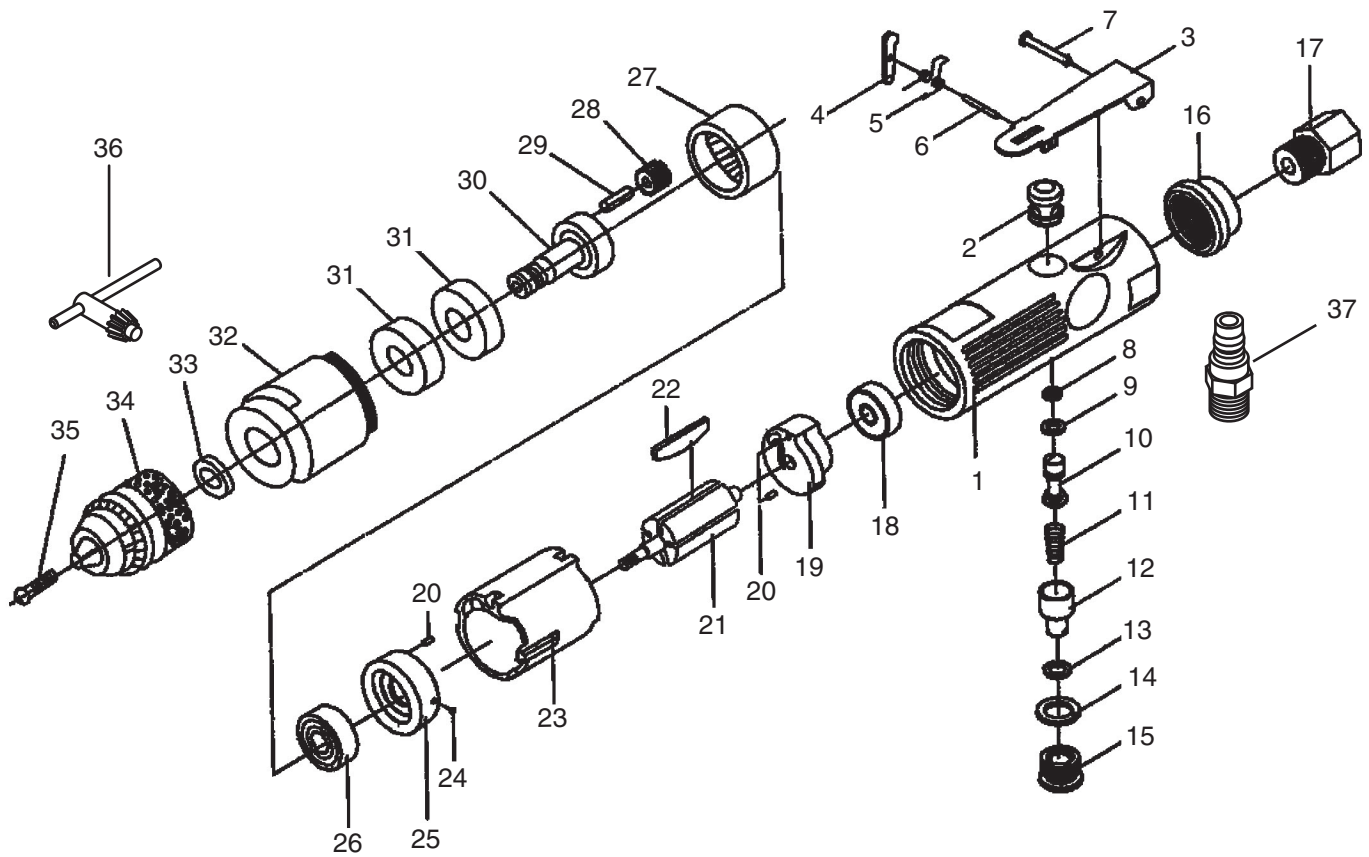


## Need Help?

If you need help with your new air drill, call our service department at: (570) 546-9663.

COPYRIGHT © NOVEMBER, 2004 BY GRIZZLY INDUSTRIAL, INC.  
**WARNING: NO PORTION OF THIS MANUAL MAY BE REPRODUCED IN ANY SHAPE OR FORM WITHOUT THE WRITTEN APPROVAL OF GRIZZLY INDUSTRIAL, INC.**  
#TR6761 PRINTED IN CHINA

# H6363 Parts Breakdown and List



Ref #	Part #	Description
1	PH6363001	HOUSING
2	PH6363002	VALVE BUSHING
3	PH6363003	TRIGGER
4	PH6363004	LEVER
5	PH6363005	SPRING
6	PH6363006	PIN
7	PH6363007	PIN
8	PH6363008	O-RING
9	PH6363009	O-RING
10	PH6363010	VALVE STEM
11	PH6363011	SPRING
12	PH6363012	AIR REGULATOR
13	PH6363013	O-RING
14	PH6363014	O-RING
15	PH6363015	VALVE PLUG
16	PH6363016	MUFFLE COVER
17	PH6363017	AIR INLET
18	PH6363018	BEARING
19	PH6363019	END PLATE

Ref #	Part #	Description
20	PH6363020	STEEL PIN
21	PH6363021	ROTOR
22	PH6363022	ROTOR BLADE
23	PH6363023	CYLINDER
24	PH6363024	STEEL PEARL
25	PH6363025	REAR BEARING SLEEVE
26	PH6363026	BEARING
27	PH6363027	FRONT BEARING SLEEVE
28	PH6363028	ROTOR
29	PH6363029	PIN
30	PH6363030	BEARING SHAFT
31	PH6363031	BEARING
32	PH6363032	CHUCK HOUSING
33	PH6363033	SPACER
34	PH6363034	CHUCK
35	PH6363035	CHUCK SCREW
36	PH6363036	CHUCK KEY
37	PH6363037	1/4" NPT MALE AIR FITTING

## Free Manuals Download Website

<http://myh66.com>

<http://usermanuals.us>

<http://www.somanuals.com>

<http://www.4manuals.cc>

<http://www.manual-lib.com>

<http://www.404manual.com>

<http://www.luxmanual.com>

<http://aubethermostatmanual.com>

Golf course search by state

<http://golfingnear.com>

Email search by domain

<http://emailbydomain.com>

Auto manuals search

<http://auto.somanuals.com>

TV manuals search

<http://tv.somanuals.com>