



18V CORDLESS DRILL AND SAW

MODEL H0603

INSTRUCTION MANUAL



COPYRIGHT © 2000 BY GRIZZLY INDUSTRIAL, INC.
1821 VALENCIA ST., BELLINGHAM, WA 98227

**WARNING: NO PORTION OF THIS MANUAL MAY BE REPRODUCED IN ANY SHAPE
OR FORM WITHOUT THE WRITTEN APPROVAL OF GRIZZLY INDUSTRIAL, INC.**

PRINTED IN CHINA



WARNING!

Some dust created by power sanding, sawing, grinding, drilling, and other construction activities contains chemicals known to the State of California to cause cancer, birth defects or other reproductive harm. Some examples of these chemical are:

- **Lead from lead-based paints.**
- **Crystalline silica from bricks, cement and other masonry products.**
- **Arsenic and chromium from chemically-treated lumber.**

Your risk from these exposures varies, depending on how often you do this type of work. To reduce your exposure to these chemicals: Work in a well ventilated area, and work with approved safety equipment, such as those dust masks that are specially designed to filter out microscopic particles.

SAFETY

WARNING

For Your Own Safety Read Instruction Manual Before Operating This Equipment

The purpose of safety symbols is to attract your attention to possible hazardous conditions. This manual uses a series of symbols and signal words which are intended to convey the level of importance of the safety messages. The progression of symbols is described below. Remember that safety messages by themselves do not eliminate danger and are not a substitute for proper accident prevention measures.



Indicates an imminently hazardous situation which, if not avoided, WILL result in death or serious injury.



WARNING Indicates a potentially hazardous situation which, if not avoided, COULD result in death or serious injury.



CAUTION Indicates a potentially hazardous situation which, if not avoided, MAY result in minor or moderate injury. It may also be used to alert against unsafe practices.



NOTICE This symbol is used to alert the user to useful information about proper operation of the equipment.

WARNING

Safety Instructions For Power Tools

- KEEP ALL SAFETY DEVICES IN PLACE** and in working order.
- REMOVE ADJUSTING KEYS AND WRENCHES.** Form habit of checking to see that keys and adjusting wrenches are removed from tool before turning on.
- KEEP WORK AREA CLEAN.** Cluttered areas and benches invite accidents.
- DON'T USE IN DANGEROUS ENVIRONMENT.** Don't use power tools in damp or wet locations, or where any flammable or noxious fumes may exist. Keep work area well lighted.
- KEEP CHILDREN AND VISITORS AWAY.** All children and visitors should be kept a safe distance from work area.
- MAKE WORK SHOP CHILD PROOF** with padlocks, master switches, or by removing starter keys.
- DON'T FORCE TOOL.** It will do the job better and safer at the rate for which it was designed.
- USE RIGHT TOOL.** Don't force tool or attachment to do a job for which it was not designed.

WARNING

Safety Instructions For Power Tools

- 9. USE PROPER EXTENSION CORD** for the charger. Make sure your extension cord is in good condition. Conductor size should be in accordance with the chart below. The amperage rating should be listed on the motor or tool nameplate. An undersized cord will cause a drop in line voltage resulting in loss of power and overheating. Your extension cord must also contain a ground wire and plug pin. Always repair or replace extension cords if they become damaged.

Minimum Gauge for Extension Cords

AMP RATING	LENGTH		
	25ft	50ft	100ft
0-6	18	16	16
7-10	18	16	14
11-12	16	16	14
13-16	14	12	12
17-20	12	12	10
21-30	10	10	No

- 10. WEAR PROPER APPAREL.** Do not wear loose clothing, gloves, neckties, rings, bracelets, or other jewelry which may get caught in moving parts. Non-slip footwear is recommended. Wear protective hair covering to contain long hair.
- 11. ALWAYS USE SAFETY GLASSES.** Also use face or dust mask if cutting operation is dusty. Everyday eyeglasses only have impact resistant lenses, they are NOT safety glasses.
- 12. SECURE WORK.** Use clamps or a vise to hold work when practical. It's safer than using your hand and frees both hands to operate tool.
- 13. DON'T OVERREACH.** Keep proper footing and balance at all times.

- 14. MAINTAIN TOOLS WITH CARE.** Keep tools sharp and clean for best and safest performance. Follow instructions for lubricating and changing accessories.
- 15. DISCONNECT TOOLS** before servicing and changing accessories, such as blades, bits, cutters, and the like.
- 16. REDUCE THE RISK OF UNINTENTIONAL STARTING.** Make sure switch is in off position before plugging in.
- 17. USE RECOMMENDED ACCESSORIES.** Consult the owner's manual for recommended accessories. The use of improper accessories may cause risk of injury.
- 18. CHECK DAMAGED PARTS.** Before further use of the tool, a guard or other part that is damaged should be carefully checked to determine that it will operate properly and perform its intended function. Check for alignment of moving parts, binding of moving parts, breakage of parts, mounting, and any other conditions that may affect its operation. A guard or other part that is damaged should be properly repaired or replaced.

CAUTION

No list of safety guidelines can be complete. Every shop environment is different. Always consider safety first, as it applies to your individual working conditions. Use this and other machinery with caution and respect. Failure to do so could result in serious personal injury, damage to equipment or poor work results.

ADDITIONAL SAFETY

WARNING

1. **Remove battery pack before changing blade, adjusting or servicing trim saw.**
2. **Keep guards in place and maintained in good working order.** Never secure blade guard open. Do not use trim saw if blade does not return so that blade is completely covered.
3. **Keep hands away from cutting area.** Never reach under workpiece while blade is in motion.
4. **Know how to avoid kick-back.** Kick-back occurs when blade begins to stall causing the saw to be propelled at the operator.
5. **Never saw into a wall or workpiece** without first determining if obstructions exist. Look for nails, plumbing and electrical wires before starting.

WARNING

1. **Read all instructions** and warnings on the battery and charger before charging the battery.
2. **Charge only using the supplied charger and battery.** Do not use with other batteries, chargers or trim saws.
3. **Do not expose battery or charger to wet or rainy conditions.** Moisture greatly increases the risk of a shock hazard.
4. **Do not touch battery poles** with any conductive materials. Touching any two poles at the same time causes a short condition and can cause sparks or electrical shock.
5. **Do not store battery with conductive materials.** Storing the battery in a box of screws or nails can cause shorting across the battery poles.
6. **Do not throw battery in fire.** Combustion of some of the batteries' component materials can cause toxic fumes and possible explosion.
7. **If charger light fails to come on** check the incoming power supply. If power source is okay, then the fuse inside the charger needs replacement. Charger should be serviced by a qualified electrical technician only.
8. **Charger plug has a polarized plug** (one prong is wider than the other). Do not attempt to modify the plug. Modifying the plug will result in a safety hazard and will void the warranty.
9. **Charger is designed to operate at 110-120 volts.** Never try to plug into any circuit that is not 110-120 volts. Never modify or change the plug that is attached to the charger unit to attempt to plug into 220 volt. This can cause serious electrical damage to the unit, possible fire or explosion.



BATTERY MUST BE RECYCLED OR DISPOSED OF PROPERLY. Consult your local Yellow Pages directory under the category "Recycling" to locate a battery recycler in your area.

INTRODUCTION

Commentary

We are proud to offer the Grizzly Model H0603 18V Cordless Drill and Saw. The Model H0603 is part of a growing Grizzly family of fine power tools. When used according to the guidelines set forth in this manual, you can expect years of trouble-free, enjoyable operation and proof of Grizzly's commitment to customer satisfaction.

The Model H0603 18V Cordless Drill and Saw are a versatile set of tools designed to handle a wide variety of cutting and drilling applications. Saw features a 5½" 24 tooth carbide blade with 10mm arbor, 50° bevel cutting and 1⅝" maximum depth of cut. Drill has a Johnson 600 motor, ⅜" keyless chuck, variable speed to 7000 RPM, 5 clutch settings and is reversible. A number of accessories for the Model H0603 are available through the Grizzly catalog.

We are pleased to provide this manual with the Model H0603. It was written to encourage safety considerations and guide you through general operating procedures and maintenance. It represents our effort to produce the best documentation possible.

WARNING

Operating this equipment has the potential for flying debris to cause eye injury. Always wear safety glasses or goggles when operating equipment. Everyday glasses or reading glasses only have impact resistant lenses, they are not safety glasses. Be certain the safety glasses you wear meet the appropriate standards of the American National Standards Institute (ANSI).

The specifications, details, and photographs in this manual represent the Model H0603 as supplied when the manual was prepared. However, owing to Grizzly's policy of continuous improvement, changes may be made at any time with no obligation on the part of Grizzly. If you have any comments regarding this manual, please write to us at the address below:

Grizzly Industrial, Inc.
c/o Technical Documentation
P.O. Box 2069
Bellingham, WA 98227-2069

Most importantly, we stand behind our tools. If you have any service questions or parts requests, please call or write us at the location listed below.

Grizzly Industrial, Inc.
2406 Reach Road
Williamsport, PA 17701
Phone: (570) 546-9663
Fax: (800) 438-5901
E-Mail: techsupport@grizzly.com
Web Site: <http://www.grizzly.com>

CAUTION

To operate this, or any power tool, safely and efficiently, it is essential to become as familiar with its characteristics as possible. The time you invest before you begin to use your Model H0603 will be time well spent. DO NOT operate this machine until you are completely familiar with the contents of this manual. Make sure you read and understand all of the safety procedures. If you do not understand something, DO NOT operate the machine.

DRILL OPERATIONS

Getting Started

First review the contents of your cordless tool kit and familiarize yourself with the key components. The contents of the kit include:

- Heavy-Duty Case
- Cordless Drill
- Cordless Saw
- Saw Edge Guide
- Double End Phillips®/Straight
- 1 Hour Charger
- Allen® Wrench

The battery in your new cordless power tool will not be fully charged when you receive it. To maximize the storage capacity of the battery it should be completely discharged, then fully recharged 3-5 times.

For optimal life span, completely discharge the battery before recharging.

Battery charging with the 1 hour "Smart" charger (1 piece charger):

1. Plug the charger into an appropriate 110/120V outlet.
2. Insert the battery into the charger. The battery fits into the oval recess in only one way. Do not force the battery. Insert until it locks into place.
3. The green light over the word "OFF" on the control panel should come on. If it doesn't, make certain the wall outlet you are plugged into is working. If the outlet power is okay, the fuse inside the charger may have blown. Fuses should be replaced by a qualified electrical technician.
4. To begin charging, press the "SET" button. A steady red light over the word "ON" should come on indicating the battery is being charged.
5. When the battery is fully charged, the

H0603 18V Cordless Drill and Saw

red light will go off and the unit will stop charging. Remove the battery from the charger upon completion of the charge cycle.

Inserting Battery Into Drill

1. Insert the battery into the handle of the drill so that the long end is forward. The battery will only install in one orientation.
2. Make sure the securing clasps on either side of the drill base engage with the clips on the battery compartment.

Inserting and Removing Bits and Drivers:

1. Set the direction switch, located just above the trigger, so that it is in the center position.

CAUTION

Never leave a battery unattended while charging. While charging will make the battery and charging unit warm, if it becomes hot to the touch, disconnect the charger immediately. There is a possibility of fire hazard. Have the battery and charging unit checked by a qualified electrical service technician.

DRILL OPERATIONS, CON'T

2. Hold the chuck by the collar while turning the sleeve (the forward section). **See Figure 1.** This will cause the three chuck jaws located inside the recess to open or close depending upon the direction.
3. When the jaws are at the approximate diameter of the bit or driver, insert the shank end of the bit or driver into the jaw opening.
4. Turn the sleeve clockwise until it tightens around the bit or driver. Never "power tighten" which is holding the sleeve while running the drill. This can cause a loose grip on the bit or driver and potential damage to chuck jaws. Check for tightness periodically while using the tool.
5. To release the bit or driver, hold the chuck collar, and turn the sleeve counterclockwise.



Fig 1. Inserting bits into the chuck.

WARNING

Operating this equipment has the potential for flying debris to cause eye injury. Always wear safety glasses or goggles when operating equipment. Everyday glasses or reading glasses only have impact resistant lenses, they are not safety glasses. Be certain the safety glasses you wear meet the appropriate standards of the American National Standards Institute (ANSI).

WARNING

Like all power tools, there is danger associated with the Model H0603. Accidents are frequently caused by lack of familiarity or failure to pay attention. Use this tool with respect and caution to lessen the possibility of operator injury. If normal safety precautions are overlooked or ignored, serious personal injury may occur.

DRILL OPERATIONS, CON'T

Operating the drill

1. **Set the Direction Switch** for the desired rotation of the bit or driver. The direction switch is the sliding switch located just above the trigger. When looking down on the drill, pushing the switch all the way to the right will give a counterclockwise rotation (normally for loosening fasteners and bits), all the way to the left will be clockwise (normally for tightening fasteners and drilling holes). When the switch is in the center position it locks to avoid accidentally starting the drill.
2. **Set the Torque Setting Ring** located just behind the chuck. This ring has 5 settings on it and a pointer indicator

embossed on the drill case. Set on "1" for very light applications such as driving screws into drywall. Use the higher settings for denser woods and materials. Use the drill bit symbol when boring holes. Using the proper torque setting will ensure that the fastener is not driven too deeply damaging the surface material, or in the worst case, stripped out of the hole due to over-torquing.

3. **Pull the trigger** to activate the drill.



Fig 2. Location of controls.

DRILL MAINTENANCE

Operating Guides and Tips

Avoid overloading the drill. Always use sharpened drill bits. Do not apply excessive pressure to the drill while using. If the speed drops abnormally, decrease pressure immediately. If the bit stops abruptly or becomes blocked, release the trigger at once. Reverse the direction to free the drill bit.

Ensure the safety of the workplace. Clear the work area of all parts and debris that may cause injury by flying objects. Securely fix the object to be drilled or fastened in a vise or otherwise clamp to avoid injury. Do not attempt to hold workpiece by hand.

Inspect the drill before use. Run the drill before using to ensure all parts are running smoothly and there are no abnormal sounds or sparks. If any defect is found, have unit serviced.

Know your worksite. Only drill as deep as necessary. Check behind walls for wires, other electrical hazards, or plumbing.

Use accessories properly. Use the lowest possible torque setting when driving fasteners. This will increase the life span of the driving bit and prevent damage to the fastener.

Maintenance

Your cordless power tool will give you hundreds of hours of operation time before ever needing service. The electrical components of this cordless drill are not user serviceable. Repair should always be undertaken by a qualified electrical repair technician.

Keep the drill free from dirt and grease. Always store it in a dry place, preferably in the case that is supplied.

The battery will require periodic recharging, and eventually replacement after it has exceeded its recharge life (approximately 800-1000 recharge cycles). You will notice extended charging times or shortened operation time as the battery experiences more cycles. **Battery must be recycled or disposed of properly.** Refer to the Grizzly catalog for replacement batteries.

WARNING

Disassembly and improper reassembly of this device can result in electrical shock danger. Always have this device serviced by an qualified electrical repair technician. Serious injury will result.

SAW OPERATIONS

Getting Started

Please take the time to familiarize yourself with the controls of your new saw. Below are listed the names of controls and features found on the saw and an explanation of their function. Please refer to **Fig. 3, 4 & 5.**

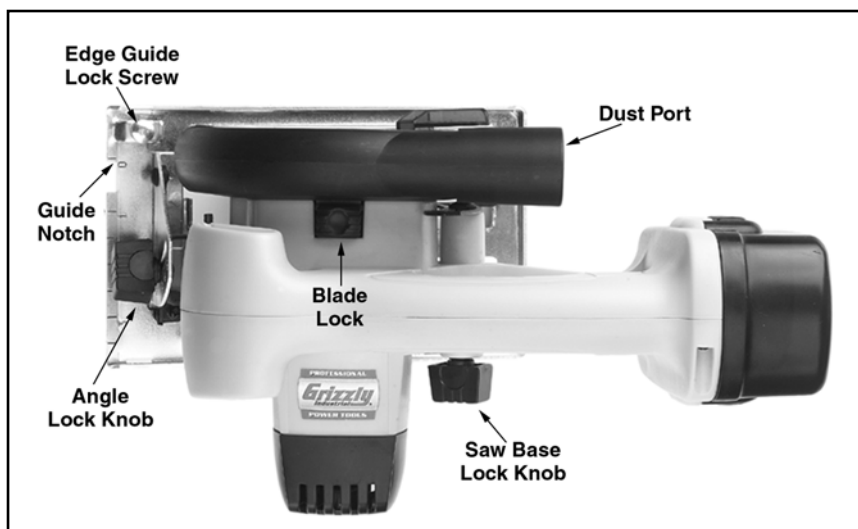


Fig 3. Top view.

From Figure 3:

Blade Lock: Used to lock blade when installing or removing blades.

Saw Base Lock Knob: Used when adjusting base height / depth of cut.

Angle Lock Knob: Used when changing angle of cut.

Edge Guide Lock Screw: Used with edge guide, locks edge guide to pre-determined distance from blade.

Dust Port: The 1 $\frac{1}{16}$ " port helps to clear chips from workpiece.

Guide Notch: Provides a visual guide for following a line through a cut.

SAW OPERATIONS, CON'T

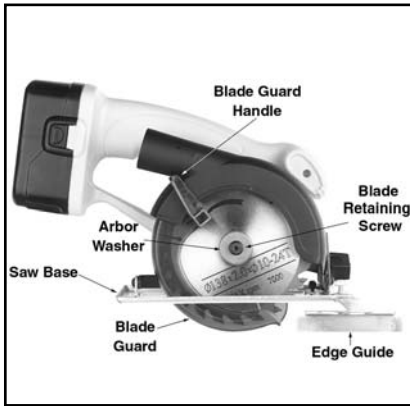


Fig 4. Blade side view.

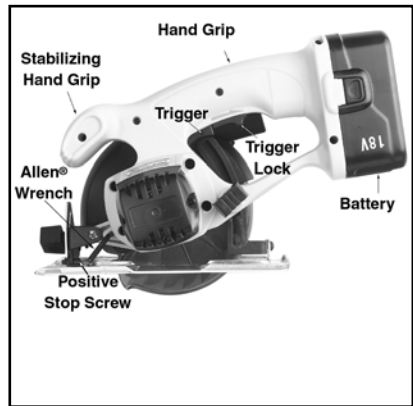


Fig 5. Handle side view.

From Figure 4:

Blade Retaining Screw: Secures blade to saw.

Arbor Washer: Used to stabilize blade.

Blade Guard: Protects operator from blade.

Blade Guard Handle: Used to lift blade guard out of the way for blind cuts or when replacing blade.

Saw Base: Supports saw through cuts.

Edge Guide: Allows cutting along the edge of material from predetermined point.

From Figure 5:

Hand Grip: Main handle for supporting the saw when making a cut.

Trigger Lock Out: Safety device that keeps the saw from accidental start-up.

Trigger: Starts and runs saw after trigger lock has been depressed.

Stabilizing Hand Grip: Used in conjunction with hand grip to stabilize saw when making a cut.

4mm Allen® Wrench: Used on blade retaining screw to install and remove blades.

Battery: 18 volt battery for use with this saw.

Positive Stop Screw: Adjusts so that base stops at 90° to blade.

SAW OPERATIONS, CON'T

! WARNING

Always remove battery from unit before changing the blade, adjusting or servicing. Failure to observe this fundamental rule will result in serious personal injury.

! CAUTION

Trim saw blades are sharp. Use care when handling. Blades may cut or nick fingers or hands causing lacerations, disfigurement or disability.

Removing and Installing Blades:

1. Remove the Battery.
2. Remove the 4mm Allen® wrench from the left hand side of the trim saw body. Insert the wrench into the blade retaining screw located at the center of the blade.
3. Depress and hold the black button located between the blade guard and the handle grip. Slowly turn the wrench counter-clockwise, (viewed from the end of the screw) until the black button depresses further and the blade is locked.
4. Remove the screw and washer. Retract the blade guard. Note the orientation of the teeth. They are pointed at the saw base at the leading edge. Be careful to avoid touching the saw teeth, and slip the blade out of the saw.
5. Insure the teeth on the new blade are in the correct orientation and place the blade on the arbor, then the washer and screw. Tighten the screw (in a clockwise rotation) while depressing the black button previously mentioned.
6. Install the 4mm Allen® wrench into the trim saw body for safe keeping.

! CAUTION

Before starting Trim Saw, insure the wrench has been removed from the cap screw on the arbor. If not removed, the wrench could be propelled into the air and may cause serious personal injury.



Fig 6. Installing blade.

SAW OPERATIONS, CON'T

Cutting Depth Adjustment:

1. **Remove battery.**
2. Loosen the black knob to the left and below the hand grip.
3. Pull or push the saw base to expose more or less saw blade.
4. To check the depth of cut compare the blade depth to the workpiece thickness and adjust saw base until one half of one tip of a tooth is exposed past the workpiece. Refer to **Figure 7 & 8.**
5. Tighten the black lock knob.

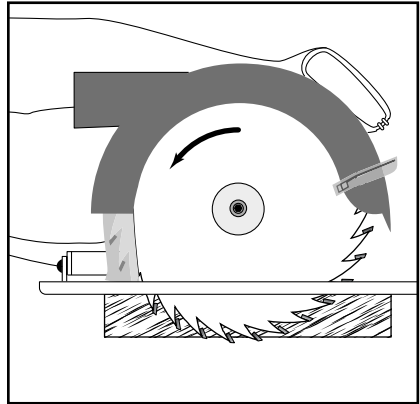


Fig 7. Depth of cut adjusted correctly.

with any carbide teeth.

5. Adjust the base so that the edge of the square contacts the the full face of the exposed part of the blade.
6. Tighten the angle locking knob.

⚠️ WARNING

Adjust saw base so that only one-half of a tip of one tooth on the blade is exposed past the thickness of the workpiece to help avoid potential kick-back .

Fine Tuning Angle of Blade:

1. **Remove battery.**
2. Adjust the depth of cut so that all of the blade is exposed below the saw base.
3. Loosen the black knob located on the leading edge of the saw.
4. Rotate the saw so the exposed portion of the blade is up. Place a small square on the base and butt it up against the blade. Take care that the square does not come into contact

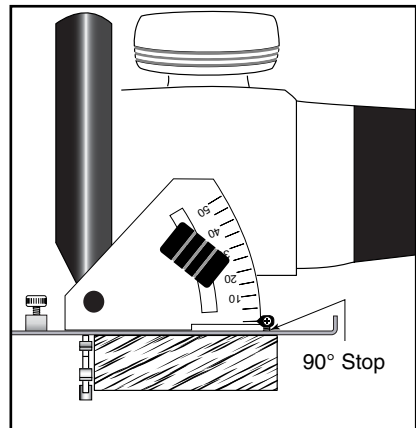


Fig 8. Base angle adjustment.

⚠️ WARNING

Operating this equipment has the potential to propel debris into the air which can cause eye injury. Always wear safety glasses or goggles when operating equipment. Be certain the safety glasses you wear meet the appropriate standards of the American National Standards Institute (ANSI).

SAW OPERATIONS, CON'T

7. The arrow in **Fig.8** is pointing to a screw that operates as a positive 90° stop. It is secured with a jam nut. Loosen the nut and turn the screw so that it contacts the base. *Do Not over tighten.* Over tightening this screw will cause the saw base to warp and will upset the angle of the blade.
8. Loosen the screw on the index pointer just to the left of the angle degree scale. Rotate the pointer until it is lined up with the zero degree mark. Retighten the screw.

Setting the Edge Guide:

1. **Remove battery.**
2. Loosen the retaining screw on the right hand side of the leading edge of the saw base.
3. Insert the edge guide in the slot just below the retaining screw.
4. Slide the edge guide until it is inserted through a slot provided on the left hand side of the saw base.
5. Determine the width of cut needed for your project and slide the edge guide using the scale provided.
6. Tighten the retaining screw. Always double check the distance between the tip of the blade to the inside edge of the edge guide. Blade thicknesses can vary, causing the scale on the edge guide to read inaccurately.

Guide Notch and Scale:

The trim saw is provided with a Guide Notch and Scale. These are located on the leading edge of the saw base.

The notch is used for following a line through a cut and the scale allows an off-set reference from a cut.

It should be noted that these are provided for one blade thickness. Blades without carbide teeth or with carbide teeth that are thinner or thicker may render the guide notch and scale inaccurate.

Setting Blade Angle:

1. Loosen the angle locking knob.
2. Rotate the saw base until the index pointer is at the desired angle and tighten knob.
3. For best results always check the blade angle with a protractor or angle guide before making a cut. Make a test cut into scrap lumber and check the angle of the cut. Readjust as necessary.

SAW OPERATIONS, CON'T

The potential for injury using this device is great. Use extreme caution and care when operating, adjusting and maintaining this saw. Failure to observe safe handling practices will result in serious personal injury.

Inserting Battery Into Trim Saw

1. Insert the battery into the handle of the trim saw so that the long end is forward. The battery will only install in one orientation.
2. Make sure the securing clasps on either side of the trim saw base engage with the clips on the battery compartment.

Operating the Trim Saw:

1. Ensure the blade is secure and the battery is installed.
2. Grasp the hand grip with one hand. Use the hand you would use most often: if you are right handed use the right.
3. Grasp the stabilizing hand grip with the other hand.
4. Place the leading edge of the saw on the edge of the board to be cut. Align the guide notch to a reference line or the edge guide to the end of the board.
5. Ensure the blade will not contact the board during start up by pulling saw away from the edge of the board.
6. With your middle finger, slide the trigger lock back towards the battery.

7. Pull the trigger to activate the trim saw.
8. Slowly feed saw through the cut.
9. Let go of the trigger when finished with the cut.

Avoid kickback hazards! If saw motor stalls during cut release the trigger immediately. Determine the cause of the problem and rectify before continuing cut.



Fig 9. Proper Holding Grip.

SAW MAINTENANCE

Operating Guides and Tips

Avoid overloading the trim saw. Always use sharp saw blades. Do not apply excessive pressure to the trim saw while using. If the speed drops abnormally, decrease pressure immediately. If the blade stops abruptly or becomes jammed, release the trigger at once.

Ensure the safety of the workplace. Clear the work area of all parts and debris that may cause injury by flying objects. Securely fix the object to be sawn in a vise or otherwise clamp to avoid injury. Do not attempt to hold workpiece by hand.

Inspect the trim saw before use. Run the saw before using to ensure all parts are running smoothly and there are no abnormal sounds or sparks. If any defect is found, have unit serviced.

Match your feed rate to the material. Use a lower rate of feeding the saw through the material when cutting hard materials. In softer material such as drywall or soft woods, you can feed the saw faster.

Know your worksite. Only saw as deep as necessary. Check behind walls for wires, other electrical hazards, or plumbing.

Maintenance

Your cordless power tool will give you hundreds of hours of operation time before ever needing service. The electrical components of this cordless trim saw are not user serviceable. Repair should always be undertaken by a qualified electrical repair technician.

Keep the trim saw free from dirt and grease. Always store it in a dry place, preferably in the case that is supplied.

The battery will require periodic recharging, and eventually replacement after it has exceeded its recharge life (approximately 800-1000 recharge cycles). You will notice extended charging times or shortened operation time as the battery experiences more cycles. Refer to the Grizzly catalog for replacement batteries.

WARNING

Disassembly and improper reassembly of this device can result in electrical shock danger. Always have this device serviced by an qualified electrical repair technician. Serious injury will result.

WARRANTY AND RETURNS

Grizzly Industrial, Inc. warrants every product it sells for a period of **1 year** to the original purchaser from the date of purchase. This warranty does not apply to defects due directly or indirectly to misuse, abuse, negligence, accidents, repairs or alterations or lack of maintenance. This is Grizzly's sole written warranty and any and all warranties that may be implied by law, including any merchantability or fitness, for any particular purpose, are hereby limited to the duration of this written warranty. We do not warrant or represent that the merchandise complies with the provisions of any law or acts unless the manufacturer so warrants. In no event shall Grizzly's liability under this warranty exceed the purchase price paid for the product and any legal actions brought against Grizzly shall be tried in the State of Washington, County of Whatcom.

We shall in no event be liable for death, injuries to persons or property or for incidental, contingent, special, or consequential damages arising from the use of our products.

To take advantage of this warranty, contact us by mail or phone and give us all the details. We will then issue you a "Return Number", which must be clearly posted on the outside as well as the inside of the carton. We will not accept any item back without this number. Proof of purchase must accompany the merchandise.

The manufacturers reserve the right to change specifications at any time because they constantly strive to achieve better quality equipment. We make every effort to ensure that our products meet high quality and durability standards and we hope you never need to use this warranty.

Please feel free to write or call us if you have any questions about the machine or the manual.

Grizzly Industrial, Inc.
2406 Reach Road
Williamsport, PA 17701
Phone: (570) 546-9663
Fax: (800) 438-5901

E-Mail:
techsupport@grizzly.com

Web Site: <http://www.grizzly.com>

Thank you again for your business and continued support. We hope to serve you again soon.

NOTES

NOTES

WARRANTY CARD

Name _____

Street _____

City _____ State _____ Zip _____

Phone Number _____ E-Mail _____ FAX _____

Model #H0603 18V Cordless Drill and Saw Order# _____

The following information is given on a voluntary basis. It will be used for marketing purposes to help us develop better products and services. Of course, all information is strictly confidential.

- How did you learn about us?
 Advertisement Friend
 Catalog Card Deck
 World Wide Web
 Other _____
- What is your annual household income?
 \$20,000-\$29,999 \$60,000-\$69,999
 \$30,000-\$39,999 \$70,000-\$79,999
 \$40,000-\$49,999 \$80,000-\$89,999
 \$50,000-\$59,999 \$90,000 +
- What is your age group?
 20-29 50-59
 30-39 60-69
 40-49 70 +
- How long have you been a woodworker?
 0 - 2 Years 8 - 20 Years
 2 - 8 Years 20+ Years
- How would you rank your woodworking skills?
 Simple Advanced
 Intermediate Master Craftsman
- What stationary woodworking tools do you own?
Check all that apply.
 Air Compressor Panel Saw
 Band Saw Planer
 Drill Press Power Feeder
 Drum Sander Radial Arm Saw
 Dust Collector Shaper
 Spindle Sander Jointer
 Table Saw Lathe
 Mortiser Wide Belt Sander
 Horiz.Boring Machine
 Vacuum Veneer Press
 Other _____
- How many of your woodworking machines are Grizzly? _____
- Which benchtop tools do you own? Check all that apply.
 1"x42" Belt Sander 6" - 8" Grinder
 5" - 8" Drill Press Mini Lathe
 8" Table Saw 8" - 10" Bandsaw
 Scroll Saw Disc/Belt Sander
 Spindle/Belt Sander Mini Jointer
 10"-12" Thickness Planer
 Other _____
- How many of the machines checked above are Grizzly? _____
- Which portable/hand held power tools do you own?
Check all that apply.
 Belt Sander Orbital Sander
 Biscuit Joiner Palm Sander
 Circular Saw Portable Planer
 Detail Sander Saber Saw
 Drill/Driver Reciprocating Saw
 Miter Saw Router
 Other _____
- What machines/supplies would you like Grizzly Industrial to carry?
 12" Table Saw Radial Arm Saw
 12" Jointer Panel Saw
 Brass Hardware Lumber
 Paint & Finishing Supplies
 Contractor's Supplies
 Combination Planer/Jointer
 Other _____
- What new accessories would you like Grizzly Industrial to carry?
 Builders Hardware Hand Tools
 Fasteners
 Wood Components
 Other _____
- What other companies do you purchase your tools and supplies from?

- Do you think your purchase represents good value?
 Yes No
- Would you recommend Grizzly to a friend?
 Yes No
- Would you allow us to use your name as a reference for Grizzly customers in your area? **Note: We never use names more than three times.**
 Yes No
- Comments: _____

Send a Grizzly Catalog to a friend:

Name_____
Street_____
City_____State_____Zip_____

FOLD ALONG DOTTED LINE



GRIZZLY INDUSTRIAL, INC.
P.O. BOX 2069
BELLINGHAM, WA 98227-2069

TAPE ALONG EDGES--PLEASE DO NOT STAPLE

Free Manuals Download Website

<http://myh66.com>

<http://usermanuals.us>

<http://www.somanuals.com>

<http://www.4manuals.cc>

<http://www.manual-lib.com>

<http://www.404manual.com>

<http://www.luxmanual.com>

<http://aubethermostatmanual.com>

Golf course search by state

<http://golfingnear.com>

Email search by domain

<http://emailbydomain.com>

Auto manuals search

<http://auto.somanuals.com>

TV manuals search

<http://tv.somanuals.com>