



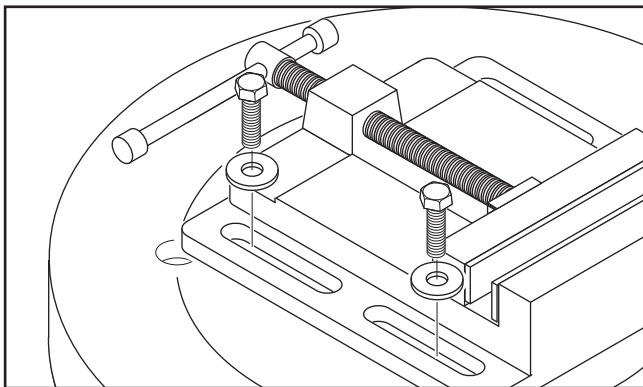
## MODEL G5749, G5750, G5751, G5752, G5753 DRILL PRESS VISE

### **⚠ WARNING**

- DISCONNECT DRILL PRESS FROM POWER BEFORE INSTALLING VISE.
- Always wear appropriate eye protection when drilling.
- Confirm that the vise is securely fastened to the table before drilling.
- Always tighten the vise fully and ensure the workpiece is secure before drilling.
- Never hold the workpiece with your hands while drilling.
- Remove chucks and other tools from drill press and table before drilling.

### Installing the Vise

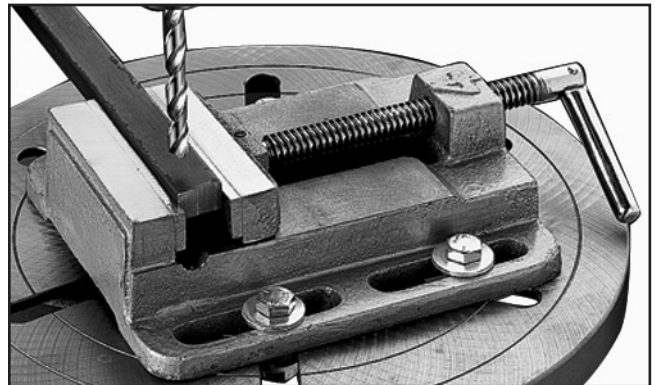
1. Situate the vise on the drill press table so the mounting slots are aligned with the table slots (see **Figure 1**).
2. Using appropriate hardware for the drill press table, secure the vise to the table at four points.



**Figure 1.** Example of installing the vise.

### Using the Vise

1. Ensure the vise is securely fastened to the table.
2. Set the depth stop on the drill press to prevent drilling into the vise body.
3. Situate the workpiece beneath the drill and secure it in the vise (see **Figure 2**).
4. Drill the workpiece.



**Figure 2.** Example of drilling the workpiece.

### Maintenance

Cleaning and maintaining this vise is simple and will ensure years of reliable service. Clean away any debris from the vise and leadscrew. Wipe down the vise with a lightly oiled rag. Open and close the vise at least once completely to ensure complete coverage.

**Note:** *Cleaning the vise is best accomplished with a vacuum, rag, or stiff brush. Using compressed air creates an eye injury hazard and can force chips deeper into recesses.*

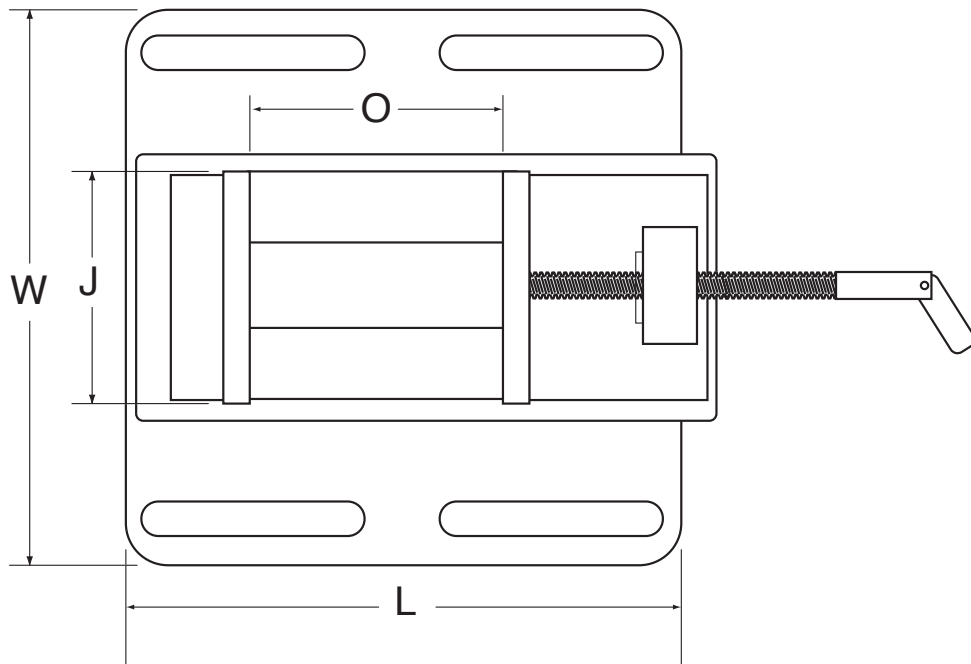
*If you need help with your new drill press vise, call our Tech Support at: (570) 546-9663.*

COPYRIGHT © JANUARY, 2012 BY GRIZZLY INDUSTRIAL, INC.

**WARNING: NO PORTION OF THIS MANUAL MAY BE REPRODUCED IN ANY SHAPE OR FORM WITHOUT THE WRITTEN APPROVAL OF GRIZZLY INDUSTRIAL, INC.**

#KN14659 PRINTED IN CHINA

# Vise Specifications



Specifications	Model				
	G5749	G5750	G5751	G5752	G5753
Height	2"	2"	2-1/8"	2-3/8"	2-5/8"
Base Width (W)	5-1/8"	5-1/2"	6-1/2"	7-1/4"	8-1/2"
Base Length (L)	5"	6-1/4"	7-1/8"	8-1/2"	9-3/4"
Jaw Width (J)	2-5/8"	3-1/8"	4"	4-7/8"	5-7/8"
Max Opening (O)	2"	3-1/8"	4-1/4"	5"	5-15/16"
Weight	2.90 lbs.	4.35 lbs.	5.40 lbs.	10.20 lbs.	11.45 lbs.
Slot Spacing	4"	4-3/8"	5-1/4"	6"	7"



## Free Manuals Download Website

<http://myh66.com>

<http://usermanuals.us>

<http://www.somanuals.com>

<http://www.4manuals.cc>

<http://www.manual-lib.com>

<http://www.404manual.com>

<http://www.luxmanual.com>

<http://aubethermostatmanual.com>

Golf course search by state

<http://golfingnear.com>

Email search by domain

<http://emailbydomain.com>

Auto manuals search

<http://auto.somanuals.com>

TV manuals search

<http://tv.somanuals.com>