



MODEL G5344 AIR PALM SANDER INSTRUCTION SHEET

⚠️ WARNING



EYE INJURY HAZARD!
Always wear safety glasses when using this tool to prevent serious personal injury.



INJURY HAZARD!
Always disconnect tool from air to prevent unexpected operation during service.



DUST HAZARD!
Always wear respirator when using this tool.

Introduction

This 15,000 RPM air sander requires 75 PSI and 3" x 4½" sanding sheets. (You can cut a standard 9" x 11" sanding sheet into sixths and trim each piece to size.) Air hose inlet is ¼" NPT.

Inventory

- A. Air Palm Sander 1
- B. Air Hose..... 1

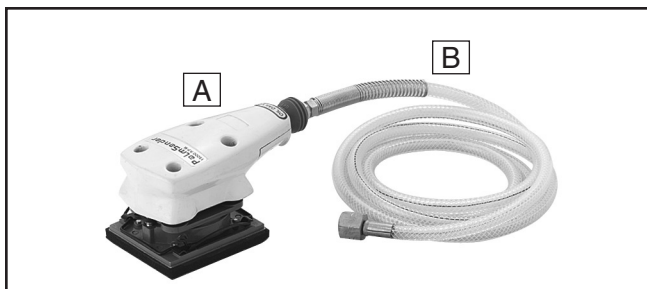


Figure 1. Model G5344.

Assembly and Attaching Abrasives

To assemble the sander and attach sandpaper:

1. Thread the air hose into the sander.
2. Install a ¼" NPT male quick-disconnect fitting (not included) into the end of the hose.
3. Lift one clamp up over the bracket (Figure 2), then pull the clamp down to open it.

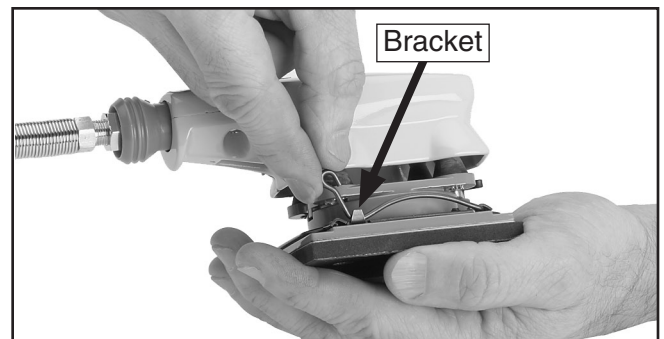


Figure 2. Opening clamp.

4. Insert one end of the sandpaper between the clamp and base as shown in Figure 3, and lift the clamp up and back over the bracket to secure the sandpaper.



Figure 3. Attaching and securing sanding sheet.

COPYRIGHT © MAY, 2006 BY GRIZZLY INDUSTRIAL, INC.
WARNING: NO PORTION OF THIS MANUAL MAY BE REPRODUCED IN ANY SHAPE OR FORM WITHOUT THE WRITTEN APPROVAL OF GRIZZLY INDUSTRIAL, INC.
 #BL8253 PRINTED IN TAIWAN

- Repeat **Step 3** with the opposite clamp, fold the sandpaper over the sander, and repeat **Step 4**, making sure the paper fits snugly as shown in **Figure 4**.



Figure 4. Attaching sandpaper on opposite side.

Operation

To operate the sander:

- Connect the tool to compressed air.
- Hold the sander and push the throttle valve (**Figure 5**) inwards to turn the sander on.

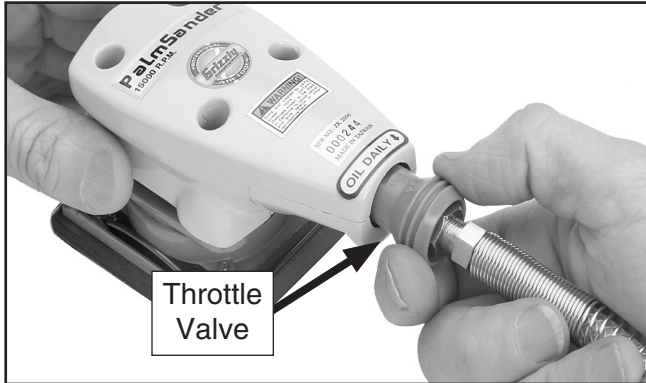


Figure 5. Sander controls.

- Push or pull the throttle valve (**Figure 5**) between ON and OFF to control the speed of the sander.

- Pull the throttle valve outwards to stop the sander.
- When the sandpaper loses its effectiveness, **disconnect the sander from air**, remove sandpaper from the clamps, and replace with a new sheet.

Maintenance

Lubricate at the beginning of the sanding task. Place one or two drops of pneumatic tool oil directly into the air fitting as shown in **Figure 6**.

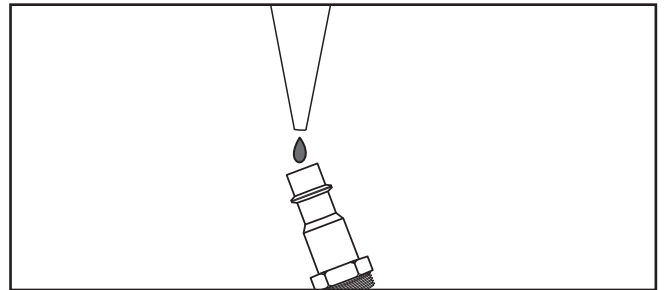


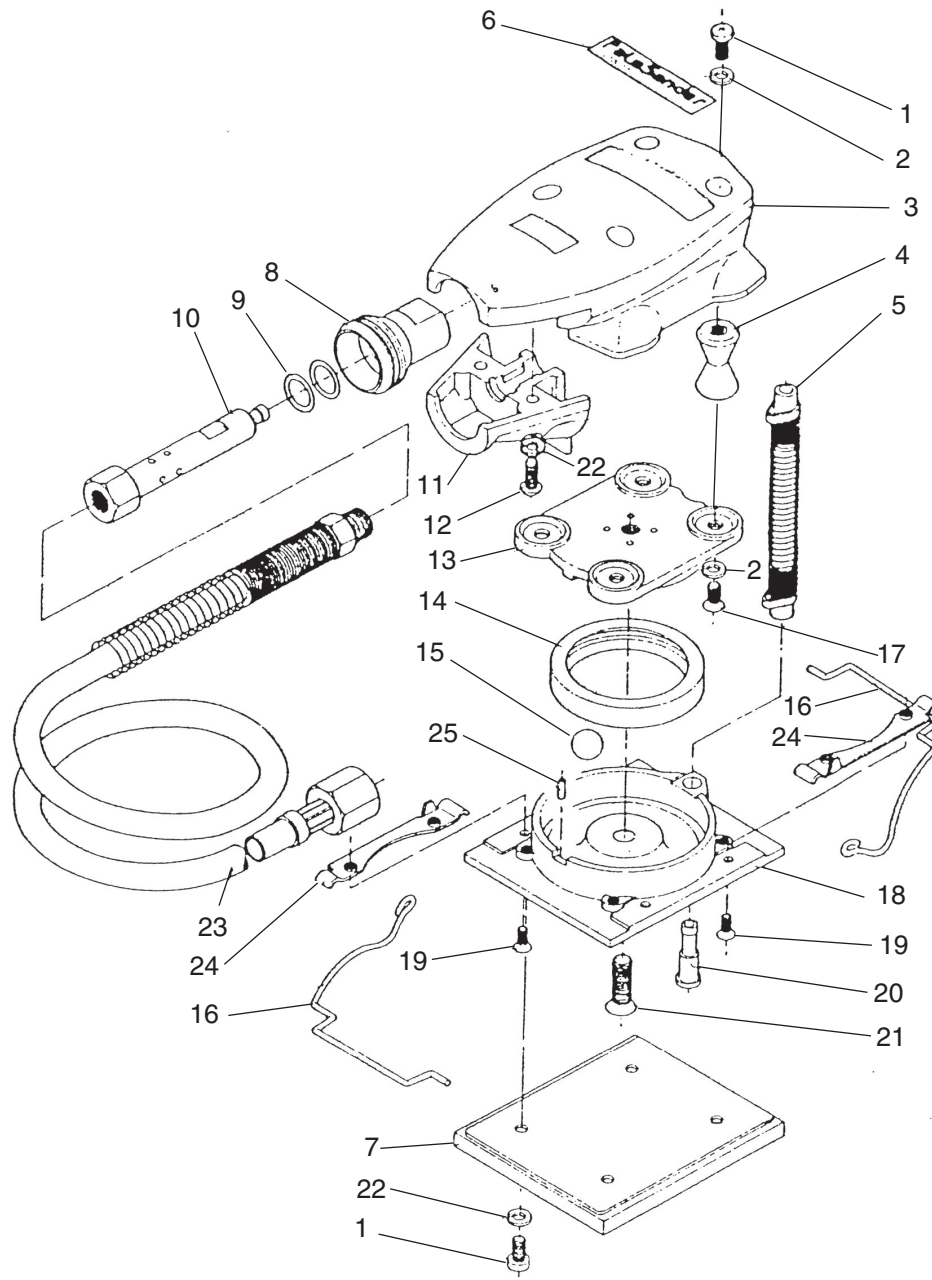
Figure 6. Lubricating directly into air fitting.

A filter/lubricator/regulator set up is not recommended, as excess oil in the tool could spray onto the workpiece.

Run the sander for a few minutes to eject excess oil, then wipe the tool down with a rag and begin sanding. Oil the tool after use or storage.

If you need help with your new pneumatic tool, call our Tech Support at: (570) 546-9663.

G5344 Parts Breakdown and List



REF	PART #	DESCRIPTION
1	PS07M	PHLP HD SCR M4-.7 X 8
2	PLW02M	LOCK WASHER 4MM
3	P5344003	HOUSING COVER
4	P5344004	RUBBER SUPPORT ASSEMBLY
5	P5344005	TUBE ASSEMBLY
6	P5344006	MODEL LABEL
7	P5344007	RUBBER PAD ASSEMBLY
8	P5344008	THROTTLE VALVE
9	P5344009	O-RING
10	P5344010	VALVE FITTING
11	P5344011	HOUSING CAP
12	PS38M	PHLP HD SCR M4-.7 X 10
13	P5344013	END PLATE

REF	PART #	DESCRIPTION
14	P5344014	CYLINDER
15	P5344015	STEEL BALL
16	P5344016	CLAMP SPRING
17	P5344017	FLAT HEAD SCREW
18	P5344018	CYLINDER SUB ASSEMBLY
19	PFH49M	FLAT HD SCR M3-.5 X 6
20	P5344020	VALVE BUSHING
21	P5344021	FLAT HEAD SCREW
22	PLW02M	LOCK WASHER 4MM
23	P5344023	HOSE SUB ASSEMBLY
24	P5344024	CLAMP STOMPER
25	P5344025	ROLL PIN

Free Manuals Download Website

<http://myh66.com>

<http://usermanuals.us>

<http://www.somanuals.com>

<http://www.4manuals.cc>

<http://www.manual-lib.com>

<http://www.404manual.com>

<http://www.luxmanual.com>

<http://aubethermostatmanual.com>

Golf course search by state

<http://golfingnear.com>

Email search by domain

<http://emailbydomain.com>

Auto manuals search

<http://auto.somanuals.com>

TV manuals search

<http://tv.somanuals.com>