

# *Grizzly* *Industrial, Inc.*®

## **MODEL G0719 15" DISC SANDER w/BRAKE OWNER'S MANUAL**



COPYRIGHT © JANUARY, 2011 BY GRIZZLY INDUSTRIAL, INC.  
**WARNING: NO PORTION OF THIS MANUAL MAY BE REPRODUCED IN ANY SHAPE  
OR FORM WITHOUT THE WRITTEN APPROVAL OF GRIZZLY INDUSTRIAL, INC.**  
FOR MODELS MANUFACTURED SINCE 10/10 #JB13694 PRINTED IN TAIWAN



## **WARNING!**

**This manual provides critical safety instructions on the proper setup, operation, maintenance, and service of this machine/tool. Save this document, refer to it often, and use it to instruct other operators.**

**Failure to read, understand and follow the instructions in this manual may result in fire or serious personal injury—including amputation, electrocution, or death.**

**The owner of this machine/tool is solely responsible for its safe use. This responsibility includes but is not limited to proper installation in a safe environment, personnel training and usage authorization, proper inspection and maintenance, manual availability and comprehension, application of safety devices, cutting/sanding/grinding tool integrity, and the usage of personal protective equipment.**

**The manufacturer will not be held liable for injury or property damage from negligence, improper training, machine modifications or misuse.**



## **WARNING!**

**Some dust created by power sanding, sawing, grinding, drilling, and other construction activities contains chemicals known to the State of California to cause cancer, birth defects or other reproductive harm. Some examples of these chemicals are:**

- **Lead from lead-based paints.**
- **Crystalline silica from bricks, cement and other masonry products.**
- **Arsenic and chromium from chemically-treated lumber.**

**Your risk from these exposures varies, depending on how often you do this type of work. To reduce your exposure to these chemicals: Work in a well ventilated area, and work with approved safety equipment, such as those dust masks that are specially designed to filter out microscopic particles.**

# Table of Contents

<b>INTRODUCTION</b> .....	<b>2</b>	<b>SECTION 4: OPERATIONS</b> .....	<b>18</b>
Manual Accuracy .....	2	Operation Overview .....	18
Contact Info.....	2	Attaching Sandpaper .....	19
Machine Description .....	2	Disc Sanding.....	19
Identification.....	3	<b>SECTION 5: ACCESSORIES</b> .....	<b>21</b>
Machine Data Sheet .....	4	<b>SECTION 6: MAINTENANCE</b> .....	<b>22</b>
<b>SECTION 1: SAFETY</b> .....	<b>6</b>	Schedule .....	22
Safety Instructions for Machinery .....	6	Cleaning.....	22
Additional Safety for Disc Sanders .....	8	Unpainted Cast Iron.....	22
<b>SECTION 2: POWER SUPPLY</b> .....	<b>9</b>	Lubrication .....	22
Availability.....	9	<b>SECTION 7: SERVICE</b> .....	<b>23</b>
Full-Load Current Rating .....	9	Troubleshooting .....	23
Circuit Information .....	9	Table Gap & Parallelism .....	25
Circuit Requirements .....	9	Calibrating Miter Gauge.....	25
Grounding Requirements .....	10	Table Tilt Calibration.....	26
Extension Cords .....	10	<b>SECTION 8: WIRING</b> .....	<b>27</b>
<b>SECTION 3: SETUP</b> .....	<b>11</b>	Wiring Safety Instructions .....	27
Needed for Setup.....	11	<b>SECTION 9: PARTS</b> .....	<b>29</b>
Unpacking .....	11	Main .....	29
Inventory .....	12	Machine Labels.....	30
Cleanup.....	13	<b>WARRANTY AND RETURNS</b> .....	<b>33</b>
Site Considerations.....	14		
Assembly .....	15		
Power Connection.....	16		
Connecting Power .....	16		
Disconnecting Power.....	16		
Test Run .....	17		


# INTRODUCTION

## Manual Accuracy

We are proud to offer this manual with your new machine! We've made every effort to be exact with the instructions, specifications, drawings, and photographs of the machine we used when writing this manual. However, sometimes we still make an occasional mistake.

Also, owing to our policy of continuous improvement, **your machine may not exactly match the manual**. If you find this to be the case, and the difference between the manual and machine leaves you in doubt, check our website for the latest manual update or call technical support for help.

Before calling, find the manufacture date of your machine by looking at the date stamped into the machine ID label (see below). This will help us determine if the manual version you received matches the manufacture date of your machine.

		<b>MODEL GXXXX</b> <b>MACHINE NAME</b>	
<b>SPECIFICATIONS</b>		<b>WARNING!</b>	
Motor:		<b>Manufacture Date of Your Machine</b> When operating this machine: 1. Use safety glasses and respirator. 2. Read and understand the manual before starting. 3. Do not touch the rotating parts. 4. Make sure the motor has stopped and disconnect power before adjustments, maintenance, or service. 5. DO NOT expose to rain or dampness. 6. DO NOT modify this machine in any way. 7. DO NOT remove safety guards. 8. Never leave machine running unattended. 9. DO NOT operate under the influence of drugs or alcohol. 10. Maintain machine carefully to prevent accidents.	
Specification:			
Specification:			
Specification:			
Weight:			
<input type="text"/>	Date		
<input type="text"/>	Serial Number		
Manufactured for Grizzly in Taiwan			

For your convenience, we post all available manuals and manual updates for free on our website at [www.grizzly.com](http://www.grizzly.com). Any updates to your model of machine will be reflected in these documents as soon as they are complete.

## Contact Info

We stand behind our machines. If you have any questions or need help, use the information below to contact us. Before contacting, please get the serial number and manufacture date of your machine. This will help us help you faster.

Grizzly Technical Support  
1203 Lycoming Mall Circle  
Muncy, PA 17756  
Phone: (570) 546-9663  
Email: [techsupport@grizzly.com](mailto:techsupport@grizzly.com)

We want your feedback on this manual. What did you like about it? Where could it be improved? Please take a few minutes to give us feedback.

Grizzly Documentation Manager  
P.O. Box 2069  
Bellingham, WA 98227-2069  
Email: [manuals@grizzly.com](mailto:manuals@grizzly.com)

## Machine Description

The Model G0719 features a 1½ HP, 220V, 1725 RPM motor equipped with a 15" diameter sanding disc and a motor brake. It includes a miter gauge and a tilting sanding table with X and Y miter slots that make it possible to sand at virtually any angle—including compound angles—with precision and control. Includes a built in 2½" OD dust port. The steel powder coated cabinet serves as a solid platform for sanding, and has shelves that provide storage for extra sanding discs.



# Identification

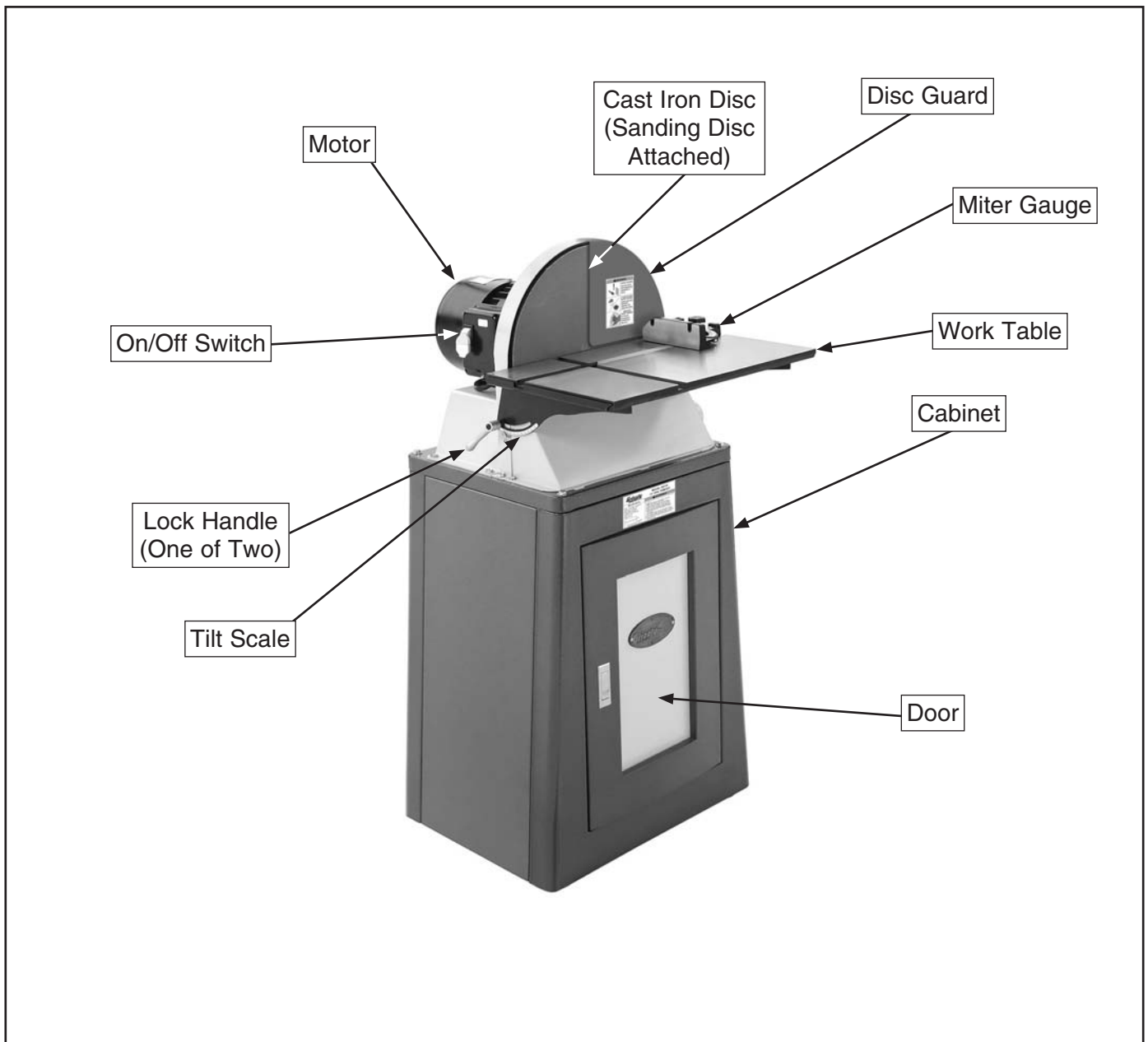
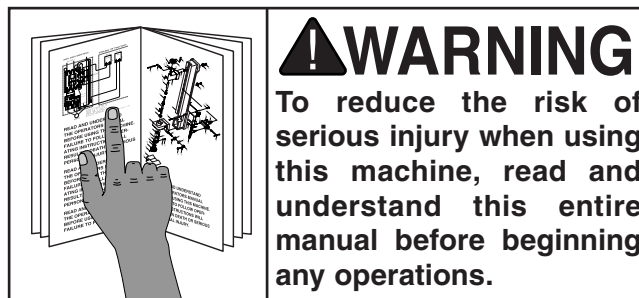


Figure 1. Identification.





# MACHINE DATA SHEET

© Grizzly Industrial, Inc. • Customer Service: (800) 523-4777 • Website: www.grizzly.com

## MODEL G0719 15" DISC SANDER w/STAND

### Product Dimensions:

Weight ..... 201 lbs.  
 Length/Width/Height ..... 20-1/2 x 26 x 46 in.  
 Foot Print (Length/Width) ..... 20-1/2 x 26 in.

### Shipping Dimensions:

#### Carton 1

Type ..... Carboard  
 Content ..... Machine  
 Weight ..... 149 lbs.  
 Length/Width/Height ..... 25 x 22 x 20 in.

#### Carton 2

Type ..... Carboard  
 Content ..... Cabinet Stand  
 Weight ..... 72 lbs.  
 Length/Width/Height ..... 29 x 23 x 11 in.

### Electrical:

Power Requirement ..... 220V, Single-Phase, 60 Hz  
 Switch ..... Paddle Switch w/Disabling Key  
 Switch Voltage ..... 220V  
 Cord Length ..... 6 ft.  
 Cord Gauge ..... 14 gauge  
 Minimum Circuit Size ..... 15 Amp  
 Plug Included ..... Yes  
 Included Plug Type ..... NEMA 6-15

### Motors:

#### Main

Type ..... TEFC Capacitor Start w/Brake  
 Horsepower ..... 1-1/2 HP  
 Voltage ..... 220V  
 Phase ..... Single  
 Amps ..... 12A  
 Speed ..... 1725 RPM  
 Cycle ..... 60 Hz  
 Number Of Speeds ..... 1  
 Power Transfer ..... Direct Drive  
 Bearings ..... Sealed, Permanently Lubricated



**Main Specifications:**

**Table & Disc Information**

Table Tilt Range .....	+15° to -45°
Sanding Disc Diameter.....	15 in.
Sanding Disc Speed.....	1725 RPM
Disc Table Length .....	20 in.
Disc Table Width .....	12 in.
Disc Table Thickness.....	9/16 in.
Miter Gauge Slot Width.....	3/4 in.
Miter Gauge Slot Height.....	5/16 in.
Floor to Table Height.....	37 in.

**Construction**

Base .....	Steel
Disc.....	Cast Iron
Miter Gauge.....	Aluminum
Cabinet Stand.....	Steel
Table.....	Precision Ground Cast Iron
Paint .....	Powder Coated

**Other**

Number of Dust Ports.....	1
Dust Port Size .....	2-1/2 in.

**Other Specifications:**

Customer Cleaning and Setup Time.....	Approximately 30 Minutes
Sound Rating .....	75 dB
ISO Factory.....	ISO 9001
Warranty.....	1 Year
Country of Origin.....	Taiwan
Serial Number Location .....	ID Label on Cabinet

**Features:**

- Automatic internal motor braking system
- Table tilt range +15° to -45°
- Accepts 15" PSA discs
- Large tilting precision-ground cast iron table
- X and Y-axis miter slots
- Steel base



# SECTION 1: SAFETY


## **WARNING**

### **For Your Own Safety, Read Instruction Manual Before Operating this Machine**

The purpose of safety symbols is to attract your attention to possible hazardous conditions. This manual uses a series of symbols and signal words intended to convey the level of importance of the safety messages. The progression of symbols is described below. Remember that safety messages by themselves do not eliminate danger and are not a substitute for proper accident prevention measures.

 **DANGER** Indicates an imminently hazardous situation which, if not avoided, **WILL** result in death or serious injury.

 **WARNING** Indicates a potentially hazardous situation which, if not avoided, **COULD** result in death or serious injury.

 **CAUTION** Indicates a potentially hazardous situation which, if not avoided, **MAY** result in minor or moderate injury. It may also be used to alert against unsafe practices.

**NOTICE** This symbol is used to alert the user to useful information about proper operation of the machine.

## **WARNING**

### **Safety Instructions for Machinery**

**OWNER'S MANUAL.** Read and understand this owner's manual **BEFORE** using machine. Untrained users can be seriously hurt.

**EYE PROTECTION.** Always wear ANSI-approved safety glasses or a face shield when operating or observing machinery to reduce the risk of eye injury or blindness from flying particles. Everyday eyeglasses are not approved safety glasses.

**HAZARDOUS DUST.** Dust created while using machinery may cause cancer, birth defects, or long-term respiratory damage. Be aware of dust hazards associated with each workpiece material, and always wear a NIOSH-approved respirator to reduce your risk.

**WEARING PROPER APPAREL.** Do not wear clothing, apparel, or jewelry that can become entangled in moving parts. Always tie back or cover long hair. Wear non-slip footwear to avoid accidental slips which could cause a loss of workpiece control.

**HEARING PROTECTION.** Always wear hearing protection when operating or observing loud machinery. Extended exposure to this noise without hearing protection can cause permanent hearing loss.

**MENTAL ALERTNESS.** Be mentally alert when running machinery. Never operate under the influence of drugs or alcohol, when tired, or when distracted.





# WARNING

**DISCONNECTING POWER SUPPLY.** Always disconnect machine from power supply before servicing, adjusting, or changing cutting tools (bits, blades, cutters, etc.). Make sure switch is in OFF position before reconnecting to avoid an unexpected or unintentional start.

**APPROVED OPERATION.** Untrained operators can be seriously hurt by machinery. Only allow trained or properly supervised people to use machine. When machine is not being used, disconnect power, remove switch keys, or lock-out machine to prevent unauthorized use—especially around children. Make workshop kid proof!

**DANGEROUS ENVIRONMENTS.** Do not use machinery in wet or rainy locations, cluttered areas, around flammables, or in poorly-lit areas. Keep work area clean, dry, and well-lighted to minimize risk of injury.

**ONLY USE AS INTENDED.** Only use machine for its intended purpose. Never modify or alter machine for a purpose not intended by the manufacturer or serious injury may result!

**USE RECOMMENDED ACCESSORIES.** Consult this owner's manual or the manufacturer for recommended accessories. Using improper accessories will increase the risk of serious injury.

**CHILDREN & BYSTANDERS.** Keep children and bystanders a safe distance away from work area. Stop using machine if children or bystanders become a distraction.

**REMOVE ADJUSTING TOOLS.** Never leave adjustment tools, chuck keys, wrenches, etc. in or on machine—especially near moving parts. Verify removal before starting!

**SECURING WORKPIECE.** When required, use clamps or vises to secure workpiece. A secured workpiece protects hands and frees both of them to operate the machine.

**FEED DIRECTION.** Unless otherwise noted, feed work against the rotation of blades or cutters. Feeding in the same direction of rotation may pull your hand into the cut.

**FORCING MACHINERY.** Do not force machine. It will do the job safer and better at the rate for which it was designed.

**GUARDS & COVERS.** Guards and covers can protect you from accidental contact with moving parts or flying debris. Make sure they are properly installed, undamaged, and working correctly before using machine.

**NEVER STAND ON MACHINE.** Serious injury or accidental contact with cutting tool may occur if machine is tipped. Machine may be damaged.

**STABLE MACHINE.** Unexpected movement during operations greatly increases the risk of injury and loss of control. Verify machines are stable/secure and mobile bases (if used) are locked before starting.

**AWKWARD POSITIONS.** Keep proper footing and balance at all times when operating machine. Do not overreach! Avoid awkward hand positions that make workpiece control difficult or increase the risk of accidental injury.

**UNATTENDED OPERATION.** Never leave machine running while unattended. Turn machine **OFF** and ensure all moving parts completely stop before walking away.

**MAINTAIN WITH CARE.** Follow all maintenance instructions and lubrication schedules to keep machine in good working condition. An improperly maintained machine may increase the risk of serious injury.

**CHECK DAMAGED PARTS.** Regularly inspect machine for damaged parts, loose bolts, mis-adjusted or mis-aligned parts, binding, or any other conditions that may affect safe operation. Always repair or replace damaged or mis-adjusted parts before operating machine.

**EXPERIENCING DIFFICULTIES.** If at any time you are experiencing difficulties performing the intended operation, stop using the machine! Contact our Technical Support Department at (570) 546-9663.



# **WARNING**

## **Additional Safety for Disc Sanders**

**AVOID FINGER INJURIES.** Never purposely touch the moving sanding disc. Take care to keep fingers away from sanding disc during operations. If the workpiece is small or difficult to hold, use a workpiece holding fixture. Sanding abrasives can quickly remove large amounts of skin!

**AVOID WORKPIECE GRAB.** Support the workpiece on the work table against the rotation direction of the sanding disc. Otherwise, the sanding disc could grab the workpiece and pull your hands into the moving disc.

**AVOID KICKBACK.** Avoid kickback by sanding in accordance with directional arrows and keeping the guard in place. Always sand on the downward side of the disc—pay close attention to the direction of disc rotation to avoid placing the workpiece against the upward side of the disc. Avoid sanding with excessive force. Always keep the sanding disc guard installed.

**ONLY SAND SAFE WORKPIECES.** If there is any doubt about stability or integrity of the material to be sanded, do not sand it. Never attempt to sand any sort of cable, chain, or wire. If you do, entanglement can occur and cause serious injury.

**DISCONNECT POWER WHEN SERVICING.** Disconnect the machine from power and allow the disc to come to a complete stop before service, maintenance, or adjustments. Avoid pulling cord-connected machinery by the cord—instead, grasp the plug when disconnecting it from power.

**POSITION TABLE CORRECTLY.** Make sure the gap between the table and sanding disc does not exceed  $\frac{3}{16}$ "—too large of a gap increases the risk of workpiece grab and pinch injuries, while too small of a gap increases the risk of sandpaper damage and restricts the removal of dust during operation.

**ONLY USE SAFE SANDPAPER DISCS.** Never use sanding discs that are damaged or torn; or if the adhesive is not sticking firmly. If sandpaper rips or comes off of the disc during operation, the workpiece or your hands could become entangled with the moving disc.

**AVOID ENTANGLEMENT.** Tie back long hair and remove any loose-fitting clothing or jewelry that could be caught up in the sanding disc or other moving machine parts.

**BE AWARE OF DUST ALLERGIES.** Be aware that certain woods may cause an allergic reaction in people and animals, especially when fine dust is created by sanding. Make sure you know what type of wood dust you will be exposed to in case there is a possibility of an allergic reaction.

**PROTECT YOURSELF FROM FINE DUST.** This machine puts fine dust particles into the air during operation. Wood dust is harmful to respiratory systems and long term exposure may lead to severe health problems. Reduce your risk by always using an adequate dust collection system and wearing a NIOSH-approved respirator during machine operation and for a short time after.

### **WARNING**

Like all machinery there is potential danger when operating this machine. Accidents are frequently caused by lack of familiarity or failure to pay attention. Use this machine with respect and caution to decrease the risk of operator injury. If normal safety precautions are overlooked or ignored, serious personal injury may occur.

### **CAUTION**

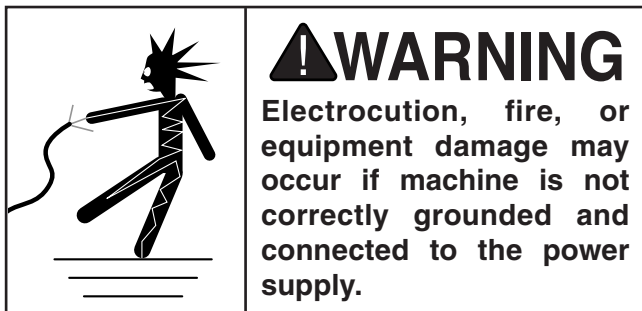
No list of safety guidelines can be complete. Every shop environment is different. Always consider safety first, as it applies to your individual working conditions. Use this and other machinery with caution and respect. Failure to do so could result in serious personal injury, damage to equipment, or poor work results.



# SECTION 2: POWER SUPPLY

## Availability

Before installing the machine, consider the availability and proximity of the required power supply circuit. If an existing circuit does not meet the requirements for this machine, a new circuit must be installed. To minimize the risk of electrocution, fire, or equipment damage, installation work and electrical wiring must be done by a qualified electrician in accordance with all applicable codes and standards.



## Full-Load Current Rating

The full-load current rating is the amperage a machine draws at 100% of the rated output power. On machines with multiple motors, this is the amperage drawn by the largest motor or sum of all motors and electrical devices that might operate at one time during normal operations.

### Full-Load Current Rating at 220V ..... 12 Amps

The full-load current is not the maximum amount of amps that the machine will draw. If the machine is overloaded, it will draw additional amps beyond the full-load rating.

If the machine is overloaded for a sufficient length of time, damage, overheating, or fire may result—especially if connected to an undersized circuit. To reduce the risk of these hazards, avoid overloading the machine during operation and make sure it is connected to a power supply circuit that meets the requirements in the following section.

## Circuit Information

A power supply circuit includes all electrical equipment between the breaker box or fuse panel in the building and the machine. The power supply circuit used for this machine must be sized to safely handle the full-load current drawn from the machine for an extended period of time. (If this machine is connected to a circuit protected by fuses, use a time delay fuse marked D.)

**! CAUTION**  
For your own safety and protection of property, consult a qualified electrician if you are unsure about wiring practices or electrical codes in your area.

**Note:** *The circuit requirements listed in this manual apply to a dedicated circuit—where only one machine will be running at a time. If this machine will be connected to a shared circuit where multiple machines will be running at the same time, consult a qualified electrician to ensure that the circuit is properly sized for safe operation.*

## Circuit Requirements

This machine is prewired to operate on a 220V power supply circuit that has a verified ground and meets the following requirements:

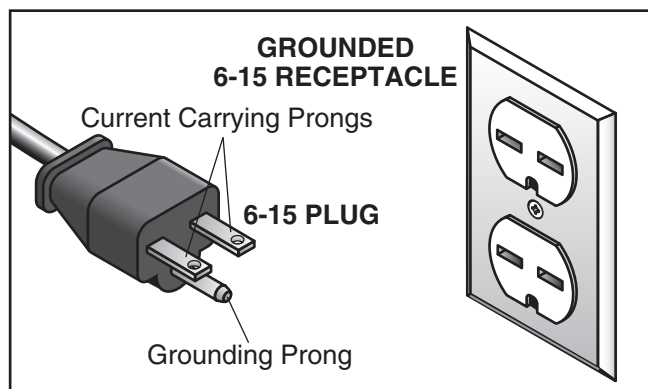
Nominal Voltage .....	220V/240V
Cycle .....	60 Hz
Phase .....	Single-Phase
Circuit Rating .....	15 Amps
Plug/Receptacle .....	NEMA 6-15



## Grounding Requirements

This machine **MUST** be grounded. In the event of certain malfunctions or breakdowns, grounding reduces the risk of electric shock by providing a path of least resistance for electric current.

**For 220V operation:** This machine is equipped with a power cord that has an equipment-grounding wire and a grounding plug (see following figure). The plug must only be inserted into a matching receptacle (outlet) that is properly installed and grounded in accordance with all local codes and ordinances.



**Figure 2.** Typical 6-15 plug and receptacle.

Improper connection of the equipment-grounding wire can result in a risk of electric shock. The wire with green insulation (with or without yellow stripes) is the equipment-grounding wire. If repair or replacement of the power cord or plug is necessary, do not connect the equipment-grounding wire to a live (current carrying) terminal.

Check with a qualified electrician or service personnel if you do not understand these grounding requirements, or if you are in doubt about whether the tool is properly grounded. If you ever notice that a cord or plug is damaged or worn, disconnect it from power, and immediately replace it with a new one.

## **!WARNING**

**Serious injury could occur if you connect the machine to power before completing the setup process. DO NOT connect to power until instructed later in this manual.**

## Extension Cords

We do not recommend using an extension cord with this machine. If you must use an extension cord, only use it if absolutely necessary and only on a temporary basis.

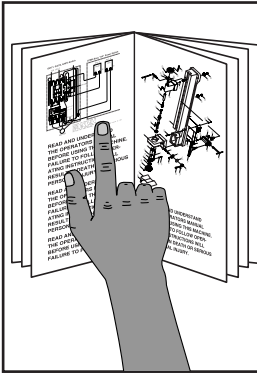
Extension cords cause voltage drop, which may damage electrical components and shorten motor life. Voltage drop increases as the extension cord size gets longer and the gauge size gets smaller (higher gauge numbers indicate smaller sizes).

Any extension cord used with this machine must contain a ground wire, match the required plug and receptacle, and meet the following requirements:

**Minimum Gauge Size .....14 AWG**  
**Maximum Length (Shorter is Better).....50 ft.**

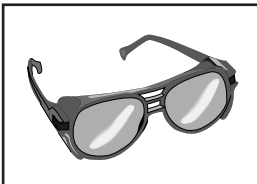


# SECTION 3: SETUP



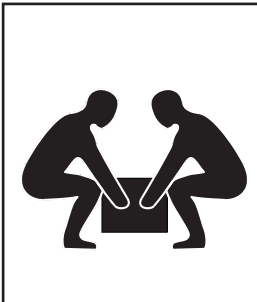
## **!WARNING**

This machine presents serious injury hazards to untrained users. Read through this entire manual to become familiar with the controls and operations before starting the machine!



## **!WARNING**

Wear safety glasses during the entire setup process!



## **!WARNING**

This machine and its components are very heavy. Get lifting help or use power lifting equipment such as a forklift to move heavy items.

## Needed for Setup

The following are needed to complete the setup process, but are not included with your machine.

Description	Qty
• Safety Glasses .....	1
• Cleaner/Degreaser ( <b>Page 13</b> ) .....	As Needed
• Disposable Shop Rags.....	As Needed
• Additional Person for Lifting .....	1
• Wrenches 10, 13mm, 1/2", 9/16" .....	1 ea.

## Unpacking

Your machine was carefully packaged for safe transportation. Remove the packaging materials from around your machine and inspect it. If you discover the machine is damaged, *please immediately call Customer Service at (570) 546-9663 for advice.*

Save the containers and all packing materials for possible inspection by the carrier or its agent. *Otherwise, filing a freight claim can be difficult.*

When you are completely satisfied with the condition of your shipment, inventory the contents.



# Inventory

The following is a description of the main components shipped with your machine. Lay the components out to inventory them.

If any non-proprietary parts are missing (e.g. a nut or a washer), we will gladly replace them; or for the sake of expediency, replacements can be obtained at your local hardware store.

Main Inventory (Figure 3)	Qty
A. Sander Assembly .....	1
B. Left Side Panel .....	1
C. Right Side Panel.....	1
D. Upper Shelf 16 <sup>3</sup> / <sub>4</sub> " x 15 <sup>3</sup> / <sub>8</sub> ".....	1
E. Lower Shelf 16" x 18 <sup>3</sup> / <sub>8</sub> ".....	1
F. Rear Panel.....	1
G. Panel and Door Assembly.....	1
H. Miter Gauge Assembly .....	1
I. Wrench 10 x 13 .....	1
J. Bolt Bag.....	1
—Flat Washers 5/16" .....	4
—Hex Bolts M8-1.25 x 45 .....	4
—Hex Nuts 3/8"-16.....	4
—Feet.....	4
—Flange Bolts M6-1 x 12.....	8
—Carriage Bolts 5/16"-18 x 3/4" .....	8
—Flange Nuts 5/16"-18 .....	8

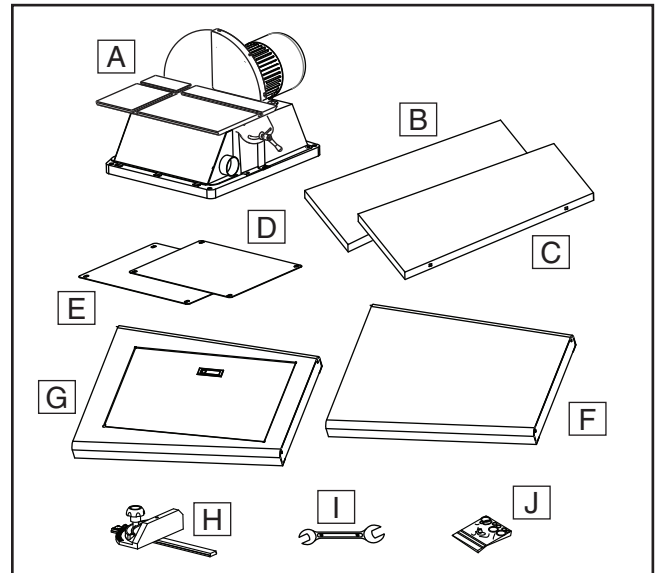


Figure 3. Inventory.



**WARNING**  
**SUFFOCATION HAZARD!**  
 Keep children and pets away from plastic bags or packing materials unpacked with this machine. Discard immediately.



**NOTICE**

If you cannot find an item on this list, check the mounting location on the machine or the packaging materials. Sometimes parts are pre-installed for shipping, or they become hidden by packaging materials.





# Cleanup

The unpainted surfaces of your machine are coated with a heavy-duty rust preventative that prevents corrosion during shipment and storage. This rust preventative works extremely well, but it will take a little time to clean.

Be patient and do a thorough job cleaning your machine. The time you spend doing this now will give you a better appreciation for the proper care of your machine's unpainted surfaces.

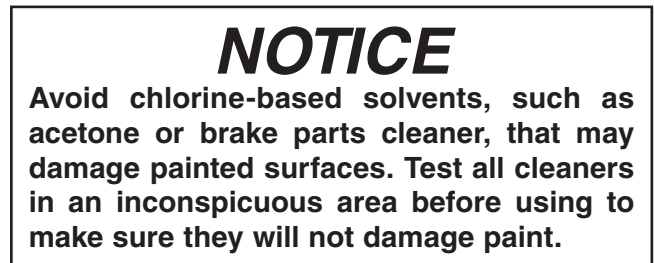
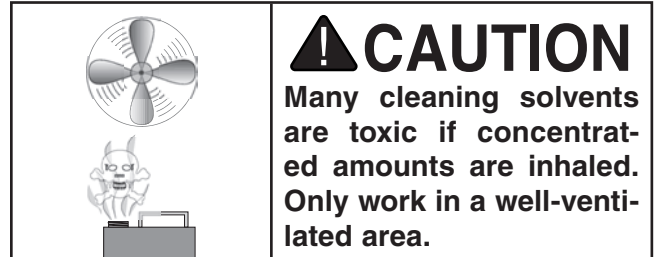
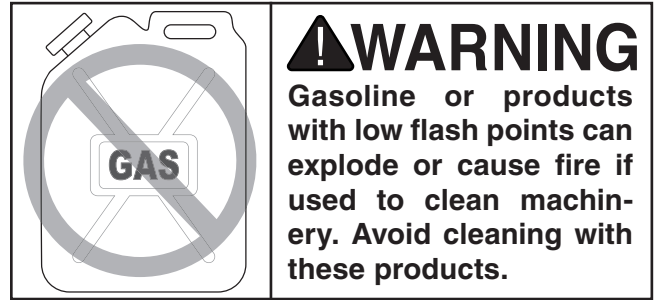
There are many ways to remove this rust preventative, but the following steps work well in a wide variety of situations. Always follow the manufacturer's instructions with any cleaning product you use and make sure you work in a well-ventilated area to minimize exposure to toxic fumes.

## Before cleaning, gather the following:

- Disposable Rags
- Cleaner/degreaser (WD-40 works well)
- Safety glasses & disposable gloves
- Plastic paint scraper (optional)

## Basic steps for removing rust preventative:

1. Put on safety glasses.
2. Coat the rust preventative with a liberal amount of cleaner/degreaser, then let it soak for 5–10 minutes.
3. Wipe off the surfaces. If your cleaner/degreaser is effective, the rust preventative will wipe off easily. If you have a plastic paint scraper, scrape off as much as you can first, then wipe off the rest with the rag.
4. Repeat **Steps 2–3** as necessary until clean, then coat all unpainted surfaces with a quality metal protectant to prevent rust.



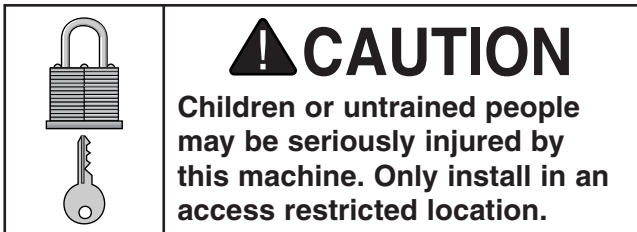
# Site Considerations

## Weight Load

Refer to the **Machine Data Sheet** for the weight of your machine. Make sure that the surface upon which the machine is placed will bear the weight of the machine, additional equipment that may be installed on the machine, and the heaviest workpiece that will be used. Additionally, consider the weight of the operator and any dynamic loading that may occur when operating the machine.

## Space Allocation

Consider the largest size of workpiece that will be processed through this machine and provide enough space around the machine for adequate operator material handling or the installation of auxiliary equipment. With permanent installations, leave enough space around the machine to open or remove doors/covers as required by the maintenance and service described in this manual. **See below for required space allocation.**



## Physical Environment

The physical environment where your machine is operated is important for safe operation and the longevity of its components. For best results, operate this machine in a dry environment that is free from excessive moisture, hazardous chemicals, airborne abrasives, or extreme conditions. Extreme conditions for this type of machinery are generally those where the ambient temperature range exceeds 41°–104°F; the relative humidity range exceeds 20–95% (non-condensing); or the environment is subject to vibration, shocks, or bumps.

## Electrical Installation

Place this machine near an existing power source. Make sure all power cords are protected from traffic, material handling, moisture, chemicals, or other hazards. Make sure to leave access to a means of disconnecting the power source or engaging a lockout/tagout device.

## Lighting

Lighting around the machine must be adequate enough that operations can be performed safely. Shadows, glare, or strobe effects that may distract or impede the operator must be eliminated.

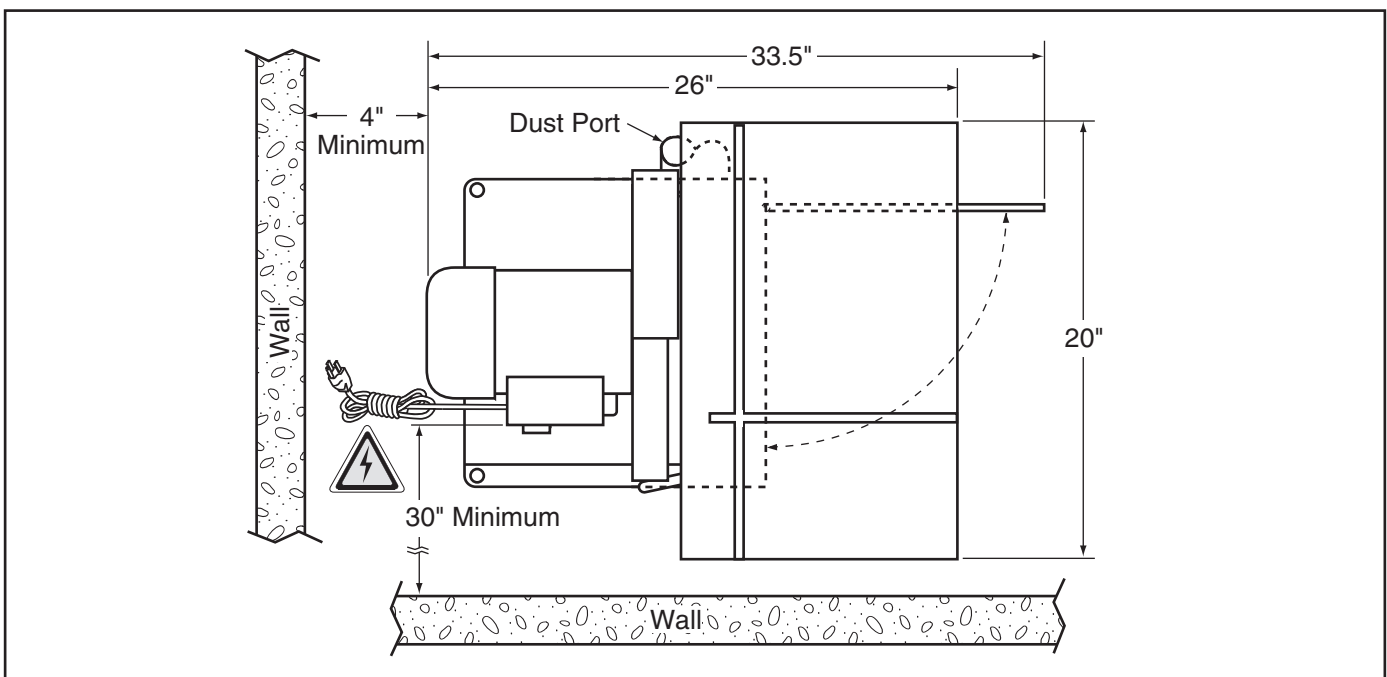


Figure 5. Minimum working clearances.



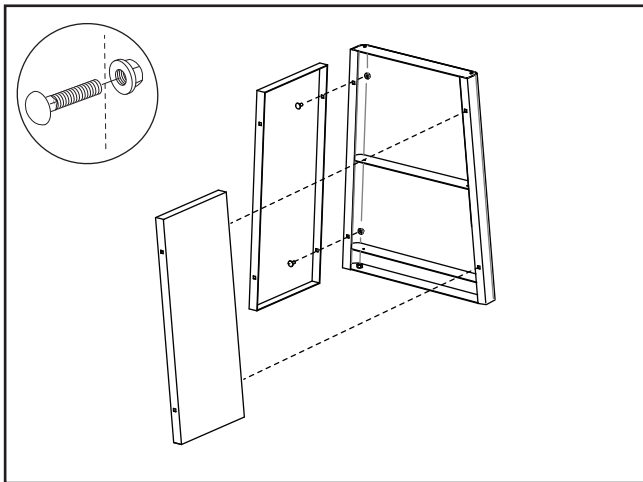


# Assembly

When assembling this machine, we recommend tightening fasteners with hand tools only. Air or electric impact tools can easily over-tighten fasteners, causing them to dig into the paint or strip threads

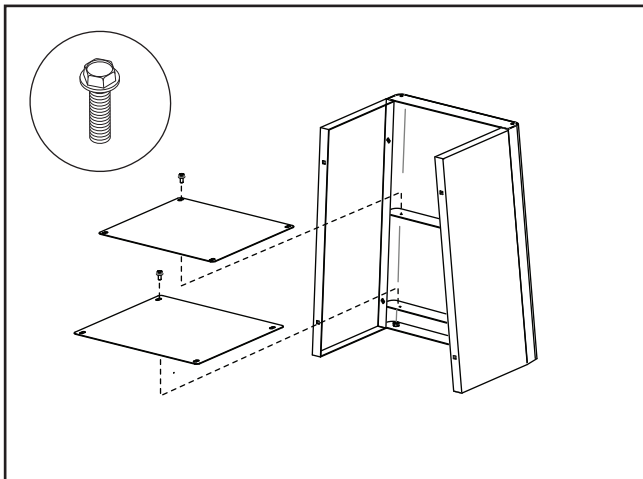
**To assemble the cabinet and mount the machine:**

1. Fasten the left and right panels to the rear panel, as shown in **Figure 6**, using (4)  $\frac{5}{16}$ "-18 x  $\frac{3}{4}$ " carriage bolts and (4)  $\frac{5}{16}$ "-18 flange nuts.



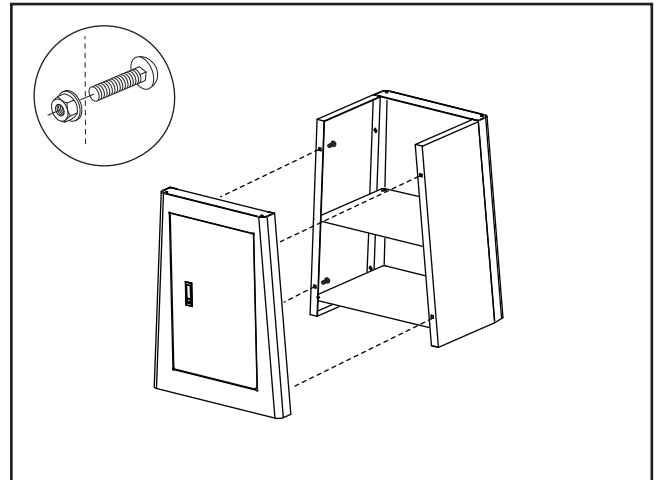
**Figure 6.** Side and rear panel installation.

2. Fasten the upper and lower shelves, as shown in **Figure 7**, using (8) M6-1 x 12 flange bolts.



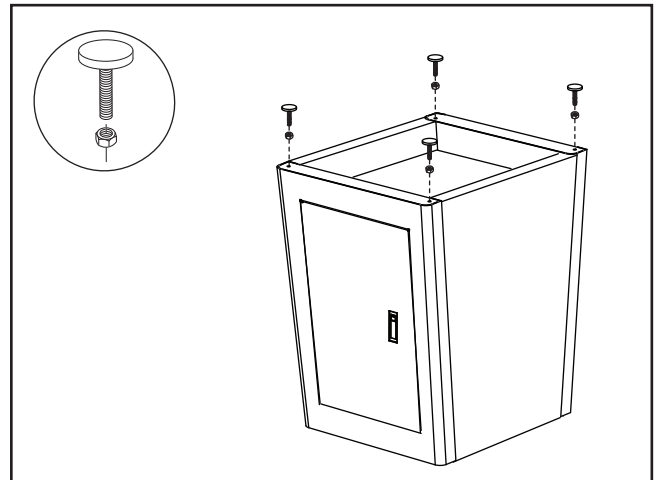
**Figure 7.** Shelf installation.

3. Fasten the panel and door assembly to the left and right panels, as shown in **Figure 8**, using (4)  $\frac{5}{16}$ "-18 x  $\frac{3}{4}$ " carriage bolts and (4)  $\frac{5}{16}$ "-18 flange nuts.



**Figure 8.** Door w/panel installation.

4. Invert the cabinet, thread the (4)  $\frac{3}{8}$ "-16 hex nuts onto the feet, and install the feet into the base, as shown in **Figure 9**.

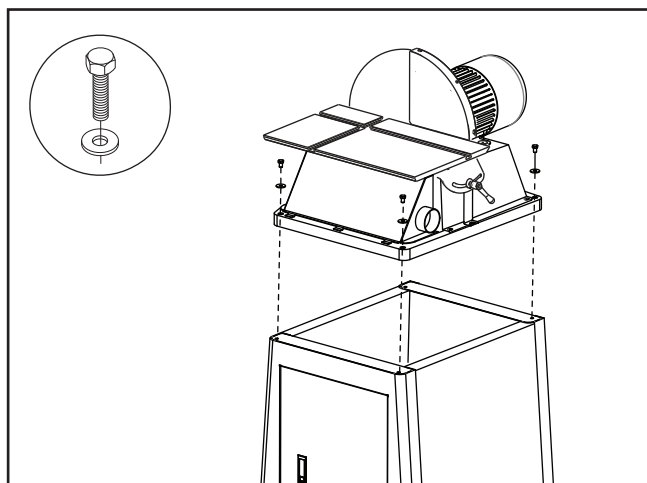


**Figure 9.** Foot installation.

5. Adjust the feet to approximately the same height, then return the cabinet right side up.



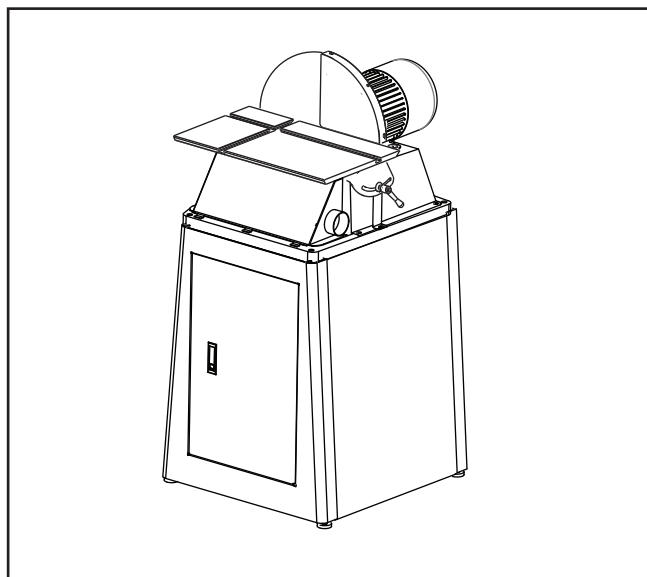
6. With the help of another person, place the sanding unit onto the top of the cabinet, as shown in **Figure 10**, and fasten it to the cabinet using (4) M8-1.25 x 45 hex bolts and (4)  $\frac{5}{16}$ " flat washers.



**Figure 10.** Sander installation.

7. Adjust the feet as necessary to level the machine, then tighten the hex nuts against the cabinet base.
8. Make sure that all tools and objects used for setup are cleared away from the machine.

The machine is now fully assembled and ready for the test run procedure.



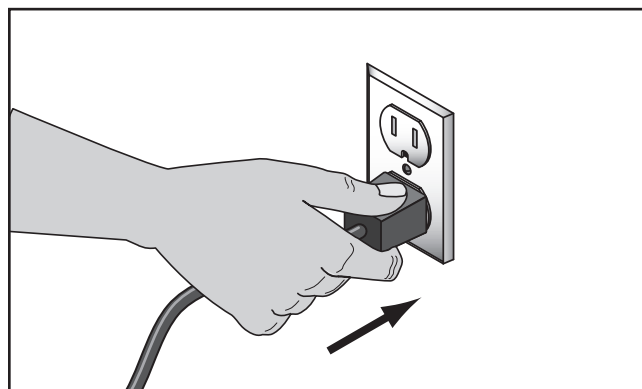
**Figure 11.** Fully assembled sander.

## Power Connection

Before the machine can be connected to the power source, an electrical circuit and connection device must be prepared per the **POWER SUPPLY** section in this manual, and all previous setup instructions in this manual must be complete to ensure that the machine has been assembled and installed properly.

### Connecting Power

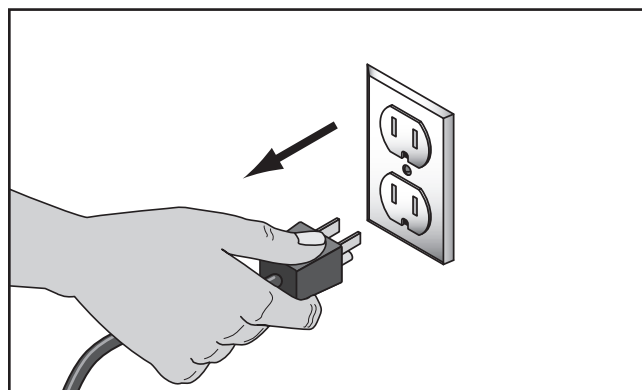
1. Turn the machine power switch **OFF**.
2. Insert the power cord plug into a matching power supply receptacle. The machine is now connected to the power source.



**Figure 12.** Connecting power.

### Disconnecting Power

1. Turn the machine power switch **OFF**.
2. Grasp the molded plug and pull it completely out of the receptacle. Do not pull by the cord as this may damage the wires inside.



**Figure 13.** Disconnecting power.



# Test Run

Once the assembly is complete, test run your machine to make sure it runs properly and is ready for regular operation.

The test run consists of verifying the following:  
1) The motor powers up and runs correctly, and  
2) the safety disabling mechanism on the switch works correctly.

If, during the test run, you cannot easily locate the source of an unusual noise or vibration, stop using the machine immediately, then review **Troubleshooting** on **Page 23**.

If you still cannot remedy a problem, contact our Tech Support at (570) 546-9663 for assistance.

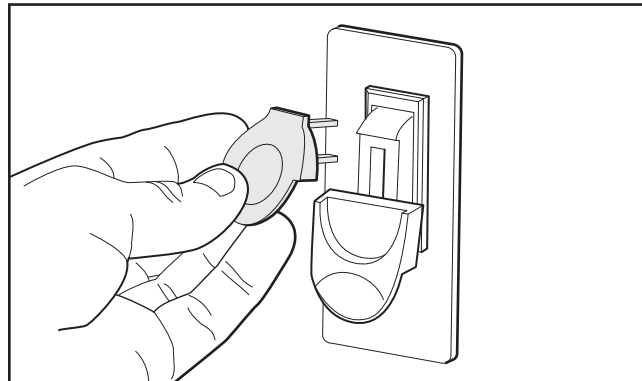
## To test run the machine:

1. DISCONNECT MACHINE FROM POWER.
2. Make sure you have read the safety instructions at the beginning of the manual and that the machine is set up properly.
3. Make sure all tools and objects used during setup are cleared away from the machine.
4. Connect the machine to the power source.
5. Verify that the machine is operating correctly by turning it **ON**.

—When operating correctly, the machine will run smoothly with little or no vibration or rubbing noises.

—Investigate and correct strange or unusual noises or vibrations before operating the machine further. Always disconnect the machine from power when investigating or correcting potential problems.

6. Turn the machine **OFF**.
7. Remove the switch disabling key, as shown in **Figure 14**.



**Figure 14.** Removing switch key from paddle switch.

8. Try to turn the start the machine with the paddle switch.
  - If the machine **DOES NOT** start, the switch disabling feature is working as designed.
  - If the machine **DOES** start, immediately stop the machine. The switch disabling feature is not working correctly. This safety feature must work properly before proceeding with regular operations. Call Tech Support for help.

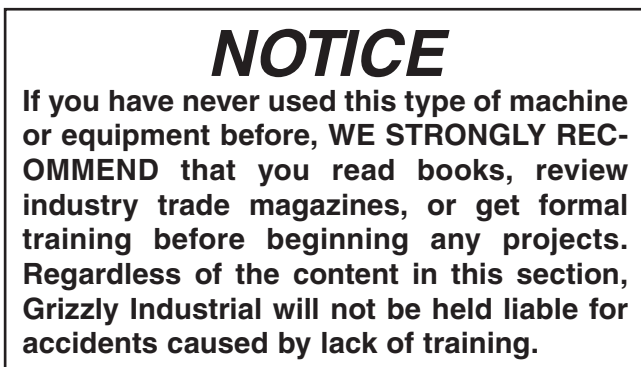
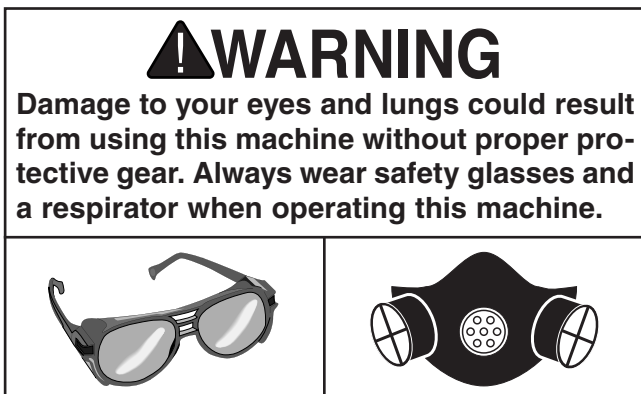


# SECTION 4: OPERATIONS

## Operation Overview

The purpose of this overview is to provide the novice machine operator with a basic understanding of how the machine is used during operation, so the machine controls/components discussed later in this manual are easier to understand.

Due to the generic nature of this overview, it is **not** intended to be an instructional guide. To learn more about specific operations, read this entire manual and seek additional training from experienced machine operators, and do additional research outside of this manual by reading "how-to" books, trade magazines, or websites.



To complete a typical sanding operation, the operator does the following:

1. Examines the workpiece to make sure it is suitable for sanding.
2. Adjusts the table tilt if necessary and locks the table in place.
3. If necessary, inserts the miter gauge in either the X-axis or Y-axis miter slots, adjusts the miter gauge to the required sanding angle, and locks it in place.
4. Wears safety glasses and a respirator.
5. Starts the machine and dust collector.
6. Holds the workpiece firmly and flatly against both the table and miter gauge (if used), pushes the workpiece into or along the sanding disc, and moves it to different locations to wear the sandpaper evenly and prevent it from overheating.
7. Stops the machine.



# Attaching Sandpaper

The Model G0719 sander accepts 15" diameter adhesive-backed sanding discs. These are available in a variety of grits.

The sanding disc sticks to the surface of the cast iron disc platen, using the pressure-sensitive adhesive (PSA) backing. The sandpaper can be replaced without removing the table or dust port.

## To attach sandpaper:

1. DISCONNECT MACHINE FROM POWER!
2. Remove the safety guard, peel off the old sandpaper, clean the disc surface with mineral spirits, and wipe it dry.
3. Peel back the protective layer on **one-half** of the sandpaper disc and fold it against the remaining half.
4. Slip the half with the protective layer between the disc and the table edge (see **Figure 15**).



**Figure 15.** Sandpaper being slipped between the disc and table.

5. Position the exposed adhesive on the upper half of the disc that extends above the table. Once it is positioned evenly across the disc, press the adhesive onto the surface.
6. Rotate the disc so the lower half is above the table. Peel off the other half of the protective paper, and press the remaining sandpaper against the disc so adhesion is complete.
7. Re-install the safety guard.

Model G0719 (Mfg. Since 10/10)



# Disc Sanding

The Model G0719 uses dual-axis miter slot design for increased versatility of workpiece control.

## ⚠ CAUTION

Always keep the guard in place and the workpiece on the side of the wheel that is rotating down. This will reduce the likelihood of the workpiece being ejected.

## ⚠ CAUTION

To reduce the risk of your fingers getting trapped between the work table and sanding disc, make sure the table is approximately  $\frac{3}{16}$ " away from the sanding disc.

## To use the sanding disc:

1. DISCONNECT SANDER FROM POWER!
2. Set the angle of the table and miter gauge for your operation. Make sure the table is about  $\frac{3}{16}$ " away from the sanding disc.
3. Connect the sander to power, turn it **ON**, and allow it to reach full speed.
4. With the guard in place, position the workpiece on the work table against the miter gauge.
5. With light, but firm pressure, push the workpiece into the down-spin side of the rotating disc. See **Figures 16–19** for examples of disc sanding.



**Figure 16.** Example of Y-axis sanding.



**Figure 17.** Example of X-axis sanding.



**Figure 19.** Sanding with table tilted.



**Figure 18.** Angle sanding.

**Note:** To perform sanding on compound-angle cuts, tilt the table and rotate the miter gauge to the appropriate angles.

**Note:** To prevent burning the workpiece and overloading the sanding disc, move the workpiece slowly back and forth from the left side of the sanding disc to the center.





# SECTION 5: ACCESSORIES

## Replacement Sanding Discs for Model G0719

MODEL and TYPE	GRIT
T23357 15" PSA .....	60
T23358 15" PSA .....	80
T23359 15" PSA .....	100
T23360 15" PSA .....	120
T23361 15" PSA .....	150
T23362 15" PSA .....	180
T23363 15" PSA .....	220



Figure 20. Sanding discs.

## PRO-STICK® Abrasive Surface Cleaners

Extend the life of your sanding discs and sleeves! Choose the Pro-Stick® with a handle for greater control or without a handle for more usable area.

Size	Model
1½" X 1½" X 8½" .....	G1511
2" X 2" X 12" .....	G1512
1½" X 1½" X 9" with Handle.....	G2519
2" X 2" X 11" with Handle.....	G2520



Figure 21. PRO-STICK® abrasive cleaners.

## G0572—Bench Top Dual Fan Dust Filter

This Hanging Air Filter has a convenient remote control and features a three speed motor, automatic shutoff timer and 1 micron inner filter and 5 micron outer filter. Air flow is 556, 702 and 1044 CFM. Overall size is 26"L x 19-1/2"W x 15"H.



Figure 22. G0572 Air filter.

## G0710—1 HP Wall Hanging Dust Collector.

Mount this 1 HP Dust Collector to your wall and keep precious floor space free of clutter. A simple mounting bracket allows you to hang this dust collector on the wall, or lift it off to use in a horizontal position on the floor. Very versatile!



Figure 23. G0710 1 HP Wall Hanging Dust Collector.

**Call 1-800-523-4777 To Order**



# SECTION 6: MAINTENANCE

---

---



## Schedule

---

For optimum performance from your machine, follow this maintenance schedule and refer to any specific instructions given in this section.

### Daily:

- Loose mounting bolts.
- Worn, loose, or damaged sanding disc.
- Worn or damaged power cord.
- Any other condition that could hamper the safe operation of this machine.
- Wipe off the sawdust build-up from the table surface.

### Weekly Maintenance:

- Vacuum out dust from the motor fan area and from around the base of the machine.

### Monthly:

- Repeat **Test Run** to ensure all safety features are working correctly.

### Long-Term Storage:

- Keep unpainted surfaces rust free with heavy-duty rust prevention compound.

## Cleaning

---

---

Cleaning the Model G0719 is relatively easy. Vacuum excess wood chips and sawdust, and wipe off the remaining dust with a dry cloth. If any resin has built up, use a resin dissolving cleaner to remove it. Treat all unpainted cast iron and steel with a non-staining lubricant after cleaning and periodically after use.

## Unpainted Cast Iron

---

---

Protect the unpainted cast iron surfaces on the table by wiping the table clean after every use—this ensures moisture from wood dust does not remain on bare metal surfaces.

Keep tables rust-free with regular applications of products like G96® Gun Treatment, SLIPIT®, or Boeshield® T-9 (see **Section 5: Accessories** on **Page 21** for more details).

## Lubrication

---

---

This machine uses permanently lubricated ball bearings. No bearing maintenance is required. Periodically apply a drop of oil to each of the table pivot bolts.

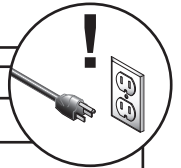




# SECTION 7: SERVICE

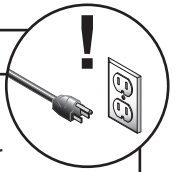
Review the troubleshooting and procedures in this section to fix or adjust your machine if a problem develops. If you need replacement parts or you are unsure of your repair skills, then feel free to call our Technical Support at (570) 546-9663.

## Troubleshooting



Symptom	Possible Cause	Possible Solution
Motor will not start or is slow to start.	<ol style="list-style-type: none"> <li>1. Switch disabling key removed.</li> <li>2. Break or short in wiring, loose connections, plug or receptacle is corroded or mis-wired.</li> <li>3. Power supply switched off/has incorrect voltage.</li> <li>4. Blown fuse/tripped circuit breaker at main panel.</li> <li>5. Motor connection wired incorrectly.</li> <li>6. Motor ON/OFF switch at fault.</li> <li>7. Motor brake not disengaging.</li> <li>8. Start capacitor has blown.</li> <li>9. Centrifugal switch at fault.</li> <li>10. Motor at fault.</li> </ol>	<ol style="list-style-type: none"> <li>1. Re-install switch disabling key.</li> <li>2. Trace/replace broken or corroded wires, fix loose connections, correct wiring.</li> <li>3. Switch power supply on/verify voltage.</li> <li>4. Correct the cause of overload, then reset/replace fuse or breaker.</li> <li>5. Wire motor correctly (refer to inside junction box cover or manual).</li> <li>6. Replace switch.</li> <li>7. Test to see if disc spins freely. If it drags, replace motor brake and regulator.</li> <li>8. Test/replace if at fault.</li> <li>9. Adjust/replace centrifugal switch.</li> <li>10. Test for shorted windings or bad bearings; repair or replace.</li> </ol>
Machine has excessive vibration or noise.	<ol style="list-style-type: none"> <li>1. Workpiece loose or incorrectly secured.</li> <li>2. Motor fan rubbing on fan cover.</li> <li>3. Motor mounting loose.</li> <li>4. Lock lever is loose.</li> <li>5. Cabinet stand not level.</li> <li>6. Machine incorrectly mounted to cabinet.</li> <li>7. Motor bearings worn or damaged.</li> </ol>	<ol style="list-style-type: none"> <li>1. Use correct holding fixture and re-clamp workpiece.</li> <li>2. Fix/replace fan cover; replace loose or damaged fan.</li> <li>3. Tighten mounting bolts/nuts; use thread locking fluid.</li> <li>4. Tighten the lock lever.</li> <li>5. Adjust feet as needed.</li> <li>6. Level/shim base; tighten/adjust mounting hardware or feet.</li> <li>7. Replace motor bearings or motor.</li> </ol>
Motor overheats.	<ol style="list-style-type: none"> <li>1. Motor brake not releasing.</li> </ol>	<ol style="list-style-type: none"> <li>1. Test to see if sanding disc spins freely. If not, replace motor brake and regulator.</li> </ol>
Machine stalls or slows when operating.	<ol style="list-style-type: none"> <li>1. Too much pressure when feeding workpiece</li> <li>2. Workpiece is warped.</li> <li>3. Workpiece is incorrect for machine.</li> <li>4. Motor connection wired incorrectly.</li> <li>5. Motor overheated.</li> <li>6. Centrifugal switch at fault.</li> <li>7. Motor at fault.</li> </ol>	<ol style="list-style-type: none"> <li>1. Reduce pressure when feeding workpiece.</li> <li>2. Straighten workpiece or use a different one.</li> <li>3. Only sand wood and ensure moisture is below 20%.</li> <li>4. Review wiring diagram on motor cover; correct wire connections.</li> <li>5. Let cool, clean motor, and reduce workload.</li> <li>6. Adjust/replace centrifugal switch if available.</li> <li>7. Test, repair, or replace motor.</li> </ol>
Motor takes longer than 7 seconds to stop sanding disc.	<ol style="list-style-type: none"> <li>1. Motor brake components at fault.</li> </ol>	<ol style="list-style-type: none"> <li>1. Replace motor brake components. Call Tech Support if you need assistance.</li> </ol>
Miter bar binds in miter slot.	<ol style="list-style-type: none"> <li>1. Miter slot dirty or gummed up.</li> </ol>	<ol style="list-style-type: none"> <li>1. Carefully clean miter slot.</li> </ol>
Workpiece angle incorrect or out of square.	<ol style="list-style-type: none"> <li>1. Pointer or scale not calibrated correctly. Miter gauge or table not correctly aligned.</li> </ol>	<ol style="list-style-type: none"> <li>1. Adjust pointer or scale to reflect real path of cut.</li> </ol>





Symptom	Possible Cause	Possible Solution
Sandpaper clogs quickly or burns.	<ol style="list-style-type: none"> <li>1. Sandpaper grit is too fine for the job.</li> <li>2. Workpiece is too moist.</li> <li>3. Sanding depth too aggressive.</li> <li>4. Paint, varnish, pitch, or other coating is loading up sandpaper.</li> <li>5. Sanding soft workpiece.</li> </ol>	<ol style="list-style-type: none"> <li>1. Replace with a coarser grit sandpaper.</li> <li>2. Allow workpiece to dry out.</li> <li>3. Reduce sanding depth or install coarser sandpaper.</li> <li>4. Install a coarse grit sandpaper, or strip coating off before sanding.</li> <li>5. Use different stock. Or, accept the characteristics of the stock and plan on cleaning/replacing discs frequently.</li> </ol>
Glossy spots, burning, or streaks on workpiece.	<ol style="list-style-type: none"> <li>1. Sandpaper too fine for the desired finish.</li> <li>2. Work held still for too long.</li> <li>3. Workpiece is too moist.</li> <li>4. Sanding stock with high residue.</li> <li>5. Worn sandpaper.</li> <li>6. Sanding depth too aggressive.</li> </ol>	<ol style="list-style-type: none"> <li>1. Use a coarser grit sandpaper.</li> <li>2. Do not keep workpiece in one place for too long.</li> <li>3. Allow workpiece to dry out.</li> <li>4. Use different stock. Or, accept the characteristics of the stock and plan on cleaning/replacing sandpapers frequently.</li> <li>5. Replace sandpaper.</li> <li>6. Reduce sanding depth or install coarser sandpaper.</li> </ol>
Abrasive rubs off the belt easily.	<ol style="list-style-type: none"> <li>1. Sandpaper has been stored in an incorrect environment.</li> </ol>	<ol style="list-style-type: none"> <li>1. Replace; store sandpaper away from extremely dry, hot, or damp conditions.</li> </ol>



# Table Gap & Parallelism

The miter slot must be parallel with the face of the sanding disc. There should be a  $\frac{3}{16}$ " gap between the edge of the table and sanding disc to prevent the sandpaper from rubbing against the table, and to keep fingers from being pinched.

## Tools Needed:

Wrench 10mm ..... 1  
Ruler ..... 1

## To set the table gap and parallelism:

1. DISCONNECT MACHINE FROM POWER!
2. Remove the guard, then loosen the six hex bolts that secure the table to the table support brackets.
3. Adjust the table so that there is a  $\frac{3}{16}$ " gap (Figure 24) between the disc (with sandpaper installed) and the edge of the table along its full length.

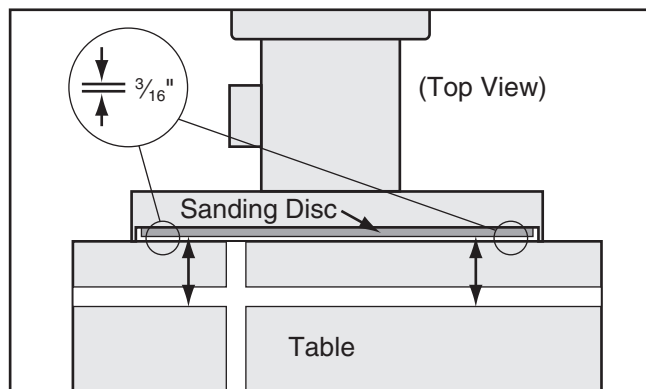


Figure 24. Table parallel with sanding disc.

4. When the miter slot is parallel with the sanding disc, tighten the hex bolts.
5. Spin the disc by hand to check if the sandpaper touches the table.

**IMPORTANT:** *DO NOT turn the disc sander ON until you have verified that it does not touch the table at any point in its rotation!*

—If the if the sandpaper touches the table at any point, re-adjust the table parallelism.

# Calibrating Miter Gauge

At 90°, the miter gauge should be perpendicular to the face of the wheel when it is mounted in the X-axis table slot. If it is not, follow this procedure to recalibrate it.

## Tools Needed:

Machinist's Square ..... 1  
Phillips Head Screwdriver..... 1

## To calibrate the miter gauge:

1. DISCONNECT MACHINE FROM POWER!
2. Check that the miter slot is parallel to the sanding wheel as described in **Table Gap & Parallelism**.
3. Use a try square or machinist's square with one edge against the face of the miter gauge and the other against the disc face, as shown in **Figure 25**.



Figure 25. Squaring miter gauge to disc.

4. Loosen the lock knob on the miter gauge and adjust the face of the miter gauge so it is flush with the edge of the square, tighten the gauge lock knob, and verify the setting.
5. Loosen the degree scale pointer, position the pointer on 90°, and retighten the screw.
6. Recheck the miter scale accuracy with the square.



# Table Tilt Calibration

When the table is perpendicular to the sanding disc, the scale should read 0°. If not, follow this procedure.

## Tools Needed:

Machinist's Square ..... 1  
Phillips Head Screwdriver..... 1

## To calibrate the table tilt:

1. DISCONNECT MACHINE FROM POWER!
2. Using a try square or machinist's square, set one edge on the table surface and the other against the face of the disc, as shown in **Figure 26**.

**Note:** *Although this can be done with the sandpaper installed, it is more precise without it.*



**Figure 26.** Squaring the table.

3. Loosen the lock handles and adjust the table angle until it is perfectly perpendicular to the disc, then tighten the lock handles while holding the table in place.
4. Loosen the degree scale pointer, index the pointer on 0°, then retighten the screw.
5. Recheck the scale accuracy with the square.



# SECTION 8: WIRING

These pages are current at the time of printing. However, in the spirit of improvement, we may make changes to the electrical systems of future machines. Study this section carefully. If there are differences between your machine and what is shown in this section, call Technical Support at (570) 546-9663 for assistance BEFORE making any changes to the wiring on your machine.

## WARNING

### Wiring Safety Instructions

**SHOCK HAZARD.** Working on wiring that is connected to a power source is extremely dangerous. Touching electrified parts will result in personal injury including but not limited to severe burns, electrocution, or death. Disconnect the power from the machine before servicing electrical components!

**MODIFICATIONS.** Modifying the wiring beyond what is shown in the diagram may lead to unpredictable results, including serious injury or fire. This includes the installation of unapproved after-market parts.

**WIRE CONNECTIONS.** All connections must be tight to prevent wires from loosening during machine operation. Double-check all wires disconnected or connected during any wiring task to ensure tight connections.

**CIRCUIT REQUIREMENTS.** You MUST follow the requirements at the beginning of this manual when connecting your machine to a power source.

**WIRE/COMPONENT DAMAGE.** Damaged wires or components increase the risk of serious personal injury, fire, or machine damage. If you notice that any wires or components are damaged while performing a wiring task, replace those wires or components.

**MOTOR WIRING.** The motor wiring shown in these diagrams is current at the time of printing but may not match your machine. If you find this to be the case, use the wiring diagram inside the motor junction box.
















**CAPACITORS/INVERTERS.** Some capacitors and power inverters store an electrical charge for up to 10 minutes after being disconnected from the power source. To reduce the risk of being shocked, wait at least this long before working on capacitors.

**EXPERIENCING DIFFICULTIES.** If you are experiencing difficulties understanding the information included in this section, contact our Technical Support at (570) 546-9663.

#### NOTICE

The photos and diagrams included in this section are best viewed in color. You can view these pages in color at [www.grizzly.com](http://www.grizzly.com).

#### COLOR KEY

BLACK		BLUE		YELLOW		LIGHT BLUE	
WHITE		BROWN		YELLOW GREEN		BLUE WHITE	
GREEN		GRAY		PURPLE		TURQUOISE	
RED		ORANGE		PINK			



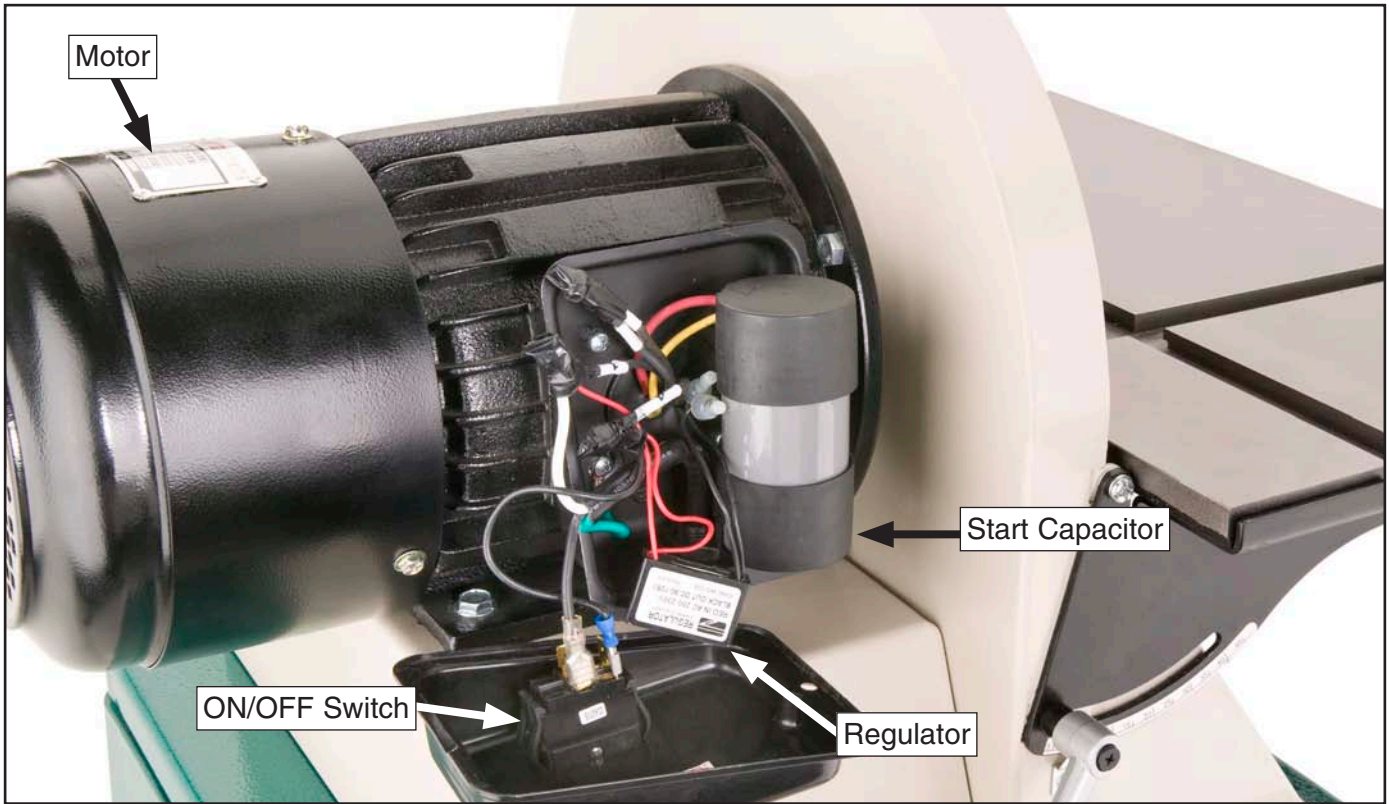
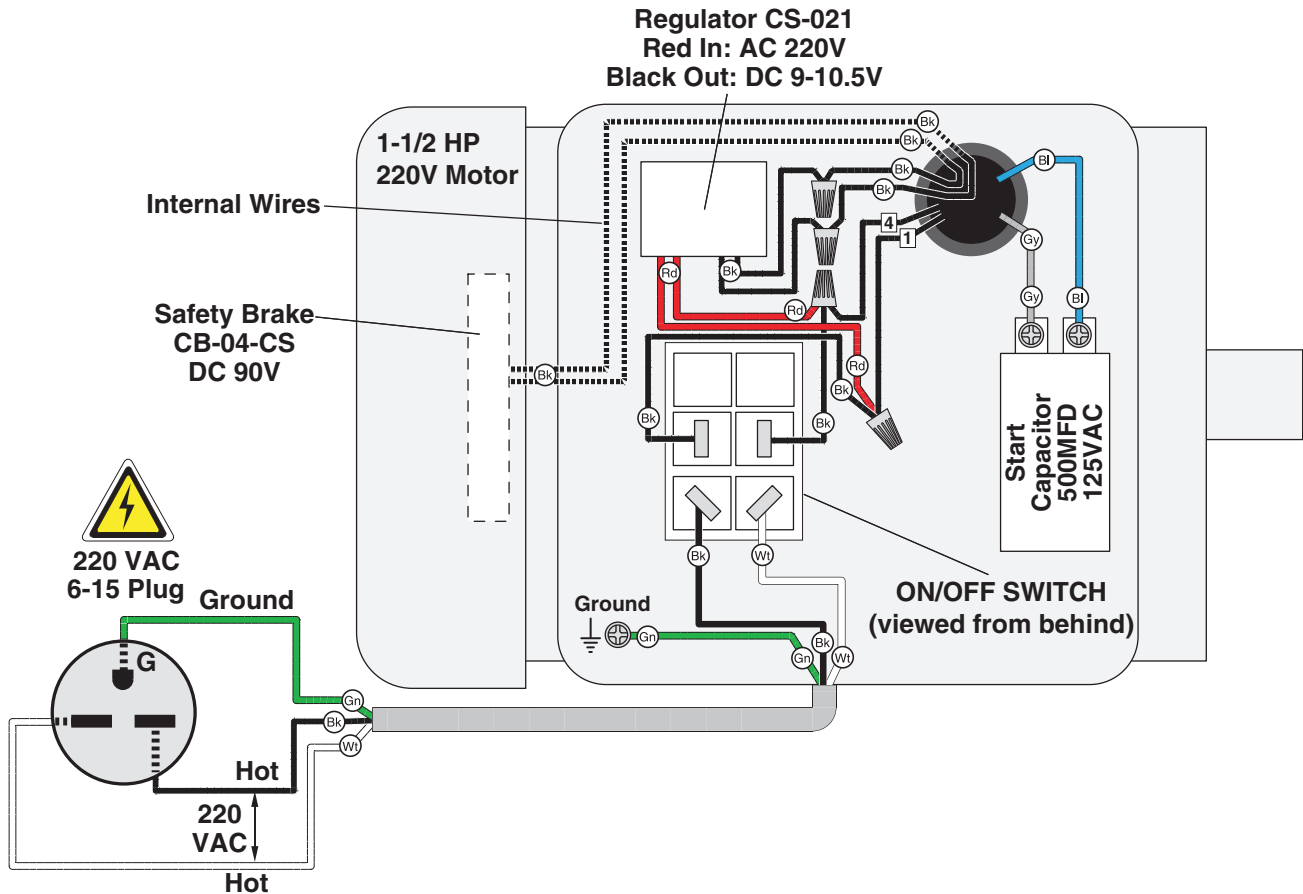
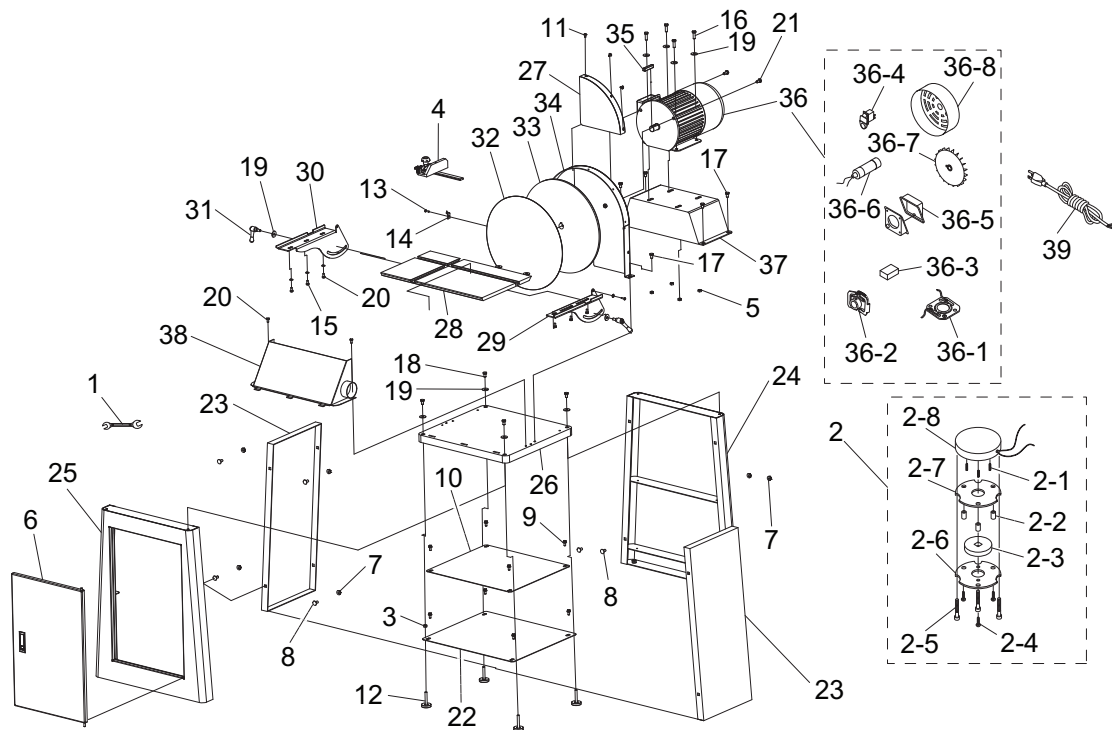


Figure 27. G0719 wiring component locations.





# SECTION 9: PARTS

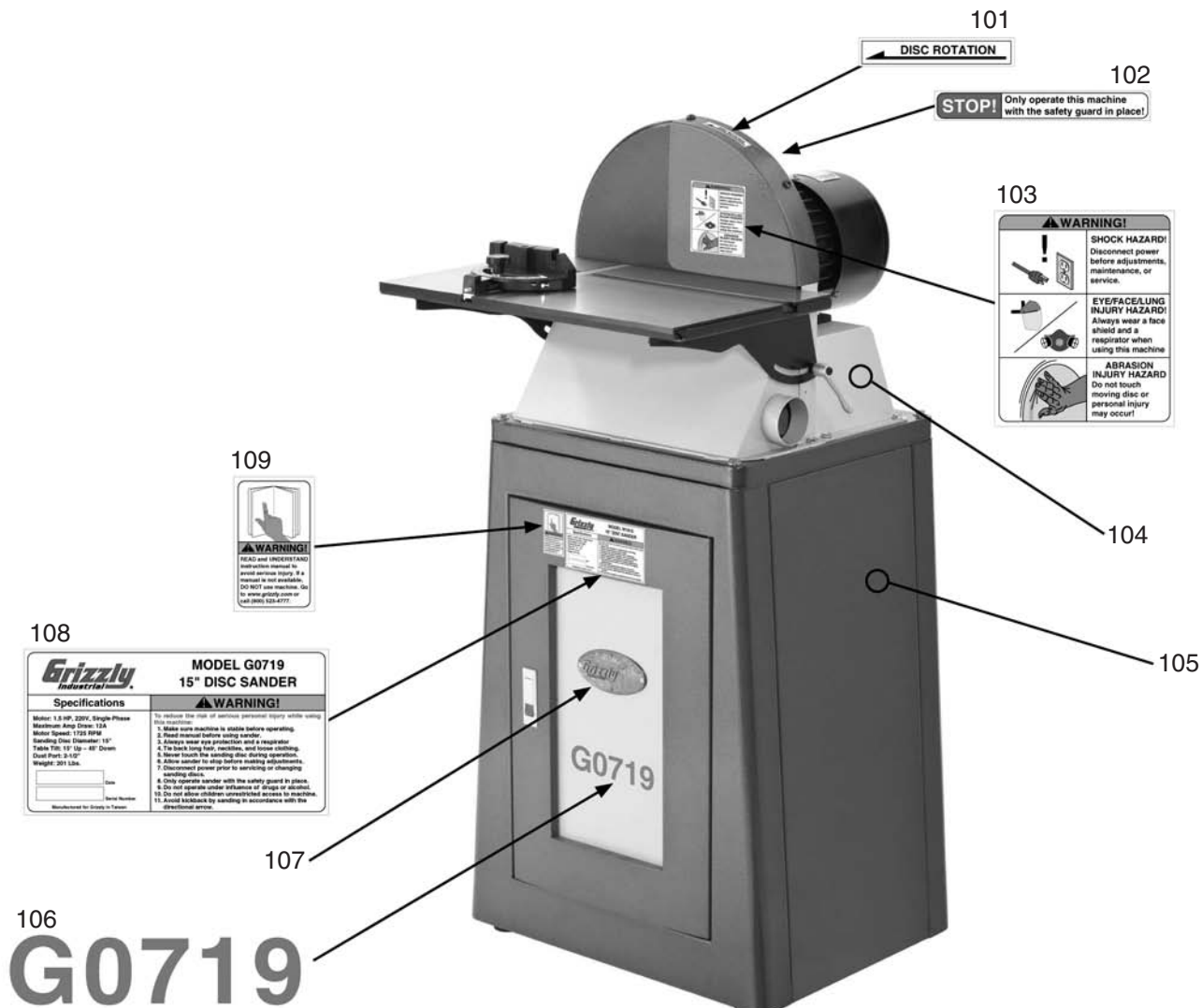


REF	PART #	DESCRIPTION
1	PWR1013	WRENCH 10 X 13
2	P0719002	MOTOR BRAKE ASSEMBLY
2-1	P0719002-1	COMPRESSION SPRING
2-2	P0719002-2	SPACER
2-3	P0719002-3	BRAKE PAD
2-4	PS22M	PHLP HD SCR M5-.8 X 25
2-5	PCAP95M	CAP SCREW M5-.8 X 30
2-6	P0719002-6	OUTSIDE PLATE
2-7	P0719002-7	INSIDE PLATE
2-8	P0719002-8	BRAKE
3	PN08	HEX NUT 3/8-16
4	P0719004	MITER GAUGE ASSEMBLY
5	PN02	HEX NUT 5/16-18
6	P0719006	DOOR W/LATCH
7	PFN02	FLANGE NUT 5/16-18
8	PCB05	CARRIAGE BOLT 5/16-18 X 3/4
9	PFB01M	FLANGE BOLT M6-1 x 12
10	P0719010	STAND UPPER SHELF
11	PS19M	PHLP HD SCR M5-.8 X 6
12	P0719012	FOOT 1/2"D 3/8-16 X 1-1/2
13	PS38M	PHLP HD SCR M4-.7 X 10
14	P0719014	POINTER
15	PLW03M	LOCK WASHER 6MM
16	PB03	HEX BOLT 5/16-18 X 1
17	PB06M	HEX BOLT M8-1.25 x 12
18	PB118M	HEX BOLT M8-1.25 x 45
19	PW07	FLAT WASHER 5/16
20	PB02M	HEX BOLT M6-1 X 12

REF	PART #	DESCRIPTION
21	PB03M	HEX BOLT M8-1.25 X 16
22	P0719022	STAND LOWER SHELF
23	P0719023	STAND SIDE PANEL
24	P0719024	STAND REAR PANEL
25	P0719025	STAND DOOR PANEL
26	P0719026	STAND TOP PLATE
27	P0719027	DISC GUARD
28	P0719028	TABLE
29	P0719029	RIGHT TABLE BRACKET
30	P0719030	LEFT TABLE BRACKET
31	P0719031	LOCK HANDLE ASSEMBLY
32	P0719032	SANDING DISC 15" 80 GRIT PSA
33	P0719033	DISC 15"
34	P0719034	DISC COVER
35	P0719035	MOTOR SHAFT KEY
36	P0719036	MOTOR 1-1/2HP 220V 1PH
36-1	P0719036-1	CONTACT PLATE
36-2	P0719036-2	CENTRIFUGAL SWITCH
36-3	P0719036-3	REGULATOR CHE 200-230VAC
36-4	G8988	ON/OFF SWITCH
36-5	P0719036-5	MOTOR JUNCTION BOX
36-6	P0719036-6	S CAPACITOR 500M 125V
36-7	P0719036-7	MOTOR FAN
36-8	P0719036-8	MOTOR FAN COVER
37	P0719037	MOTOR BASE
38	P0719038	DUST COLLECTION HOOD
39	P0719039	POWER CORD 14AWG X 3C X 72"



# Machine Labels



REF	PART #	DESCRIPTION
101	P0719101	DISC ROTATION LABEL
102	P0719102	NO GUARD WARNING LABEL
103	P0719103	COMBO WARNING LABEL
104	PPAINT-1	GRIZZLY PUTTY PAINT
105	PPAINT-11	GRIZZLY GREEN PAINT

REF	PART #	DESCRIPTION
106	P0719106	MODEL NUMBER LABEL
107	G9987	GRIZZLY NAMEPLATE
108	P0719108	MACHINE ID LABEL
109	PLABEL-12C	READ MANUAL LABEL

## WARNING

Safety labels warn about machine hazards and ways to prevent injury. The owner of this machine **MUST** maintain the original location and readability of the labels on the machine. If any label is removed or becomes unreadable, **REPLACE** that label before using the machine again. Contact Grizzly at (800) 523-4777 or [www.grizzly.com](http://www.grizzly.com) to order new labels.







# WARRANTY CARD

Name \_\_\_\_\_  
 Street \_\_\_\_\_  
 City \_\_\_\_\_ State \_\_\_\_\_ Zip \_\_\_\_\_  
 Phone # \_\_\_\_\_ Email \_\_\_\_\_ Invoice # \_\_\_\_\_  
 Model # \_\_\_\_\_ Order # \_\_\_\_\_ Serial # \_\_\_\_\_

The following information is given on a voluntary basis. It will be used for marketing purposes to help us develop better products and services. **Of course, all information is strictly confidential.**

1. How did you learn about us?

Advertisement                       Friend                       Catalog  
 Card Deck                               Website                       Other:

2. Which of the following magazines do you subscribe to?

<input type="checkbox"/> Cabinetmaker & FDM	<input type="checkbox"/> Popular Science	<input type="checkbox"/> Wooden Boat
<input type="checkbox"/> Family Handyman	<input type="checkbox"/> Popular Woodworking	<input type="checkbox"/> Woodshop News
<input type="checkbox"/> Hand Loader	<input type="checkbox"/> Precision Shooter	<input type="checkbox"/> Woodsmith
<input type="checkbox"/> Handy	<input type="checkbox"/> Projects in Metal	<input type="checkbox"/> Woodwork
<input type="checkbox"/> Home Shop Machinist	<input type="checkbox"/> RC Modeler	<input type="checkbox"/> Woodworker West
<input type="checkbox"/> Journal of Light Cont.	<input type="checkbox"/> Rifle	<input type="checkbox"/> Woodworker's Journal
<input type="checkbox"/> Live Steam	<input type="checkbox"/> Shop Notes	<input type="checkbox"/> Other:
<input type="checkbox"/> Model Airplane News	<input type="checkbox"/> Shotgun News	
<input type="checkbox"/> Old House Journal	<input type="checkbox"/> Today's Homeowner	
<input type="checkbox"/> Popular Mechanics	<input type="checkbox"/> Wood	

3. What is your annual household income?

\$20,000-\$29,000                       \$30,000-\$39,000                       \$40,000-\$49,000  
 \$50,000-\$59,000                       \$60,000-\$69,000                       \$70,000+

4. What is your age group?

20-29                                       30-39                                       40-49  
 50-59                                       60-69                                       70+

5. How long have you been a woodworker/metalworker?

0-2 Years                       2-8 Years                       8-20 Years                       20+ Years

6. How many of your machines or tools are Grizzly?

0-2                       3-5                       6-9                       10+

7. Do you think your machine represents a good value?       Yes                       No

8. Would you recommend Grizzly Industrial to a friend?       Yes                       No

9. Would you allow us to use your name as a reference for Grizzly customers in your area?

**Note:** We never use names more than 3 times.       Yes                       No

10. Comments: \_\_\_\_\_  
 \_\_\_\_\_  
 \_\_\_\_\_  
 \_\_\_\_\_

CUT ALONG DOTTED LINE

FOLD ALONG DOTTED LINE

---

---

---



Place  
Stamp  
Here



GRIZZLY INDUSTRIAL, INC.  
P.O. BOX 2069  
BELLINGHAM, WA 98227-2069



FOLD ALONG DOTTED LINE

Send a Grizzly Catalog to a friend:

Name _____
Street _____
City _____ State _____ Zip _____

TAPE ALONG EDGES--PLEASE DO NOT STAPLE

# WARRANTY AND RETURNS

---

Grizzly Industrial, Inc. warrants every product it sells for a period of **1 year** to the original purchaser from the date of purchase. This warranty does not apply to defects due directly or indirectly to misuse, abuse, negligence, accidents, repairs or alterations or lack of maintenance. This is Grizzly's sole written warranty and any and all warranties that may be implied by law, including any merchantability or fitness, for any particular purpose, are hereby limited to the duration of this written warranty. We do not warrant or represent that the merchandise complies with the provisions of any law or acts unless the manufacturer so warrants. In no event shall Grizzly's liability under this warranty exceed the purchase price paid for the product and any legal actions brought against Grizzly shall be tried in the State of Washington, County of Whatcom.

We shall in no event be liable for death, injuries to persons or property or for incidental, contingent, special, or consequential damages arising from the use of our products.

To take advantage of this warranty, contact us by mail or phone and give us all the details. We will then issue you a "Return Number," which must be clearly posted on the outside as well as the inside of the carton. We will not accept any item back without this number. Proof of purchase must accompany the merchandise.

The manufacturers reserve the right to change specifications at any time because they constantly strive to achieve better quality equipment. We make every effort to ensure that our products meet high quality and durability standards and we hope you never need to use this warranty.

Please feel free to write or call us if you have any questions about the machine or the manual.

Thank you again for your business and continued support. We hope to serve you again soon.

# *grizzly.com*<sup>®</sup>

**TOOL WEBSITE**

Buy Direct and Save with Grizzly<sup>®</sup> – Trusted, Proven and a Great Value!  
~Since 1983~

*Visit Our Website Today For  
Current Specials!*

**ORDER  
24 HOURS A DAY!  
1-800-523-4777**



## Free Manuals Download Website

<http://myh66.com>

<http://usermanuals.us>

<http://www.somanuals.com>

<http://www.4manuals.cc>

<http://www.manual-lib.com>

<http://www.404manual.com>

<http://www.luxmanual.com>

<http://aubethermostatmanual.com>

Golf course search by state

<http://golfingnear.com>

Email search by domain

<http://emailbydomain.com>

Auto manuals search

<http://auto.somanuals.com>

TV manuals search

<http://tv.somanuals.com>