

# **Grizzly** **Industrial, Inc.**®

## **MODEL T25101** **SMALL ENGLISH WHEEL** **OWNER'S MANUAL** *(For models manufactured since 8/12)*



COPYRIGHT © DECEMBER 2012 BY GRIZZLY INDUSTRIAL, INC.  
**WARNING: NO PORTION OF THIS MANUAL MAY BE REPRODUCED IN ANY SHAPE  
OR FORM WITHOUT THE WRITTEN APPROVAL OF GRIZZLY INDUSTRIAL, INC.**  
#TS15273 PRINTED IN CHINA

 **WARNING!**

**This manual provides critical safety instructions on the proper setup, operation, maintenance, and service of this machine/tool. Save this document, refer to it often, and use it to instruct other operators.**

**Failure to read, understand and follow the instructions in this manual may result in fire or serious personal injury—including amputation, electrocution, or death.**

**The owner of this machine/tool is solely responsible for its safe use. This responsibility includes but is not limited to proper installation in a safe environment, personnel training and usage authorization, proper inspection and maintenance, manual availability and comprehension, application of safety devices, cutting/sanding/grinding tool integrity, and the usage of personal protective equipment.**

**The manufacturer will not be held liable for injury or property damage from negligence, improper training, machine modifications or misuse.**

 **WARNING!**

**Some dust created by power sanding, sawing, grinding, drilling, and other construction activities contains chemicals known to the State of California to cause cancer, birth defects or other reproductive harm. Some examples of these chemicals are:**

- **Lead from lead-based paints.**
- **Crystalline silica from bricks, cement and other masonry products.**
- **Arsenic and chromium from chemically-treated lumber.**

**Your risk from these exposures varies, depending on how often you do this type of work. To reduce your exposure to these chemicals: Work in a well ventilated area, and work with approved safety equipment, such as those dust masks that are specially designed to filter out microscopic particles.**

# Table of Contents

<b>INTRODUCTION.....</b>	<b>2</b>
Machine Description.....	2
Contact Info.....	2
Manual Accuracy.....	2
Identification.....	3
Machine Data Sheet.....	4
<b>SECTION 1: SAFETY.....</b>	<b>5</b>
Safety Instructions for Machinery.....	5
Additional Safety for English Wheels.....	7
<b>SECTION 2: SETUP.....</b>	<b>8</b>
Unpacking.....	8
Needed for Setup.....	8
Inventory.....	9
Workbench Mounting.....	10
Assembly.....	10
<b>SECTION 3: OPERATIONS.....</b>	<b>13</b>
Tracking Tips.....	13
Basic Operations.....	14
<b>SECTION 4: ACCESSORIES.....</b>	<b>15</b>
<b>SECTION 5: MAINTENANCE.....</b>	<b>16</b>
Schedule.....	16
Cleaning & Protecting.....	16
Lubrication.....	16
<b>SECTION 6: SERVICE.....</b>	<b>17</b>
Troubleshooting.....	17
<b>SECTION 7: PARTS.....</b>	<b>18</b>
<b>WARRANTY &amp; RETURNS.....</b>	<b>21</b>



# Identification

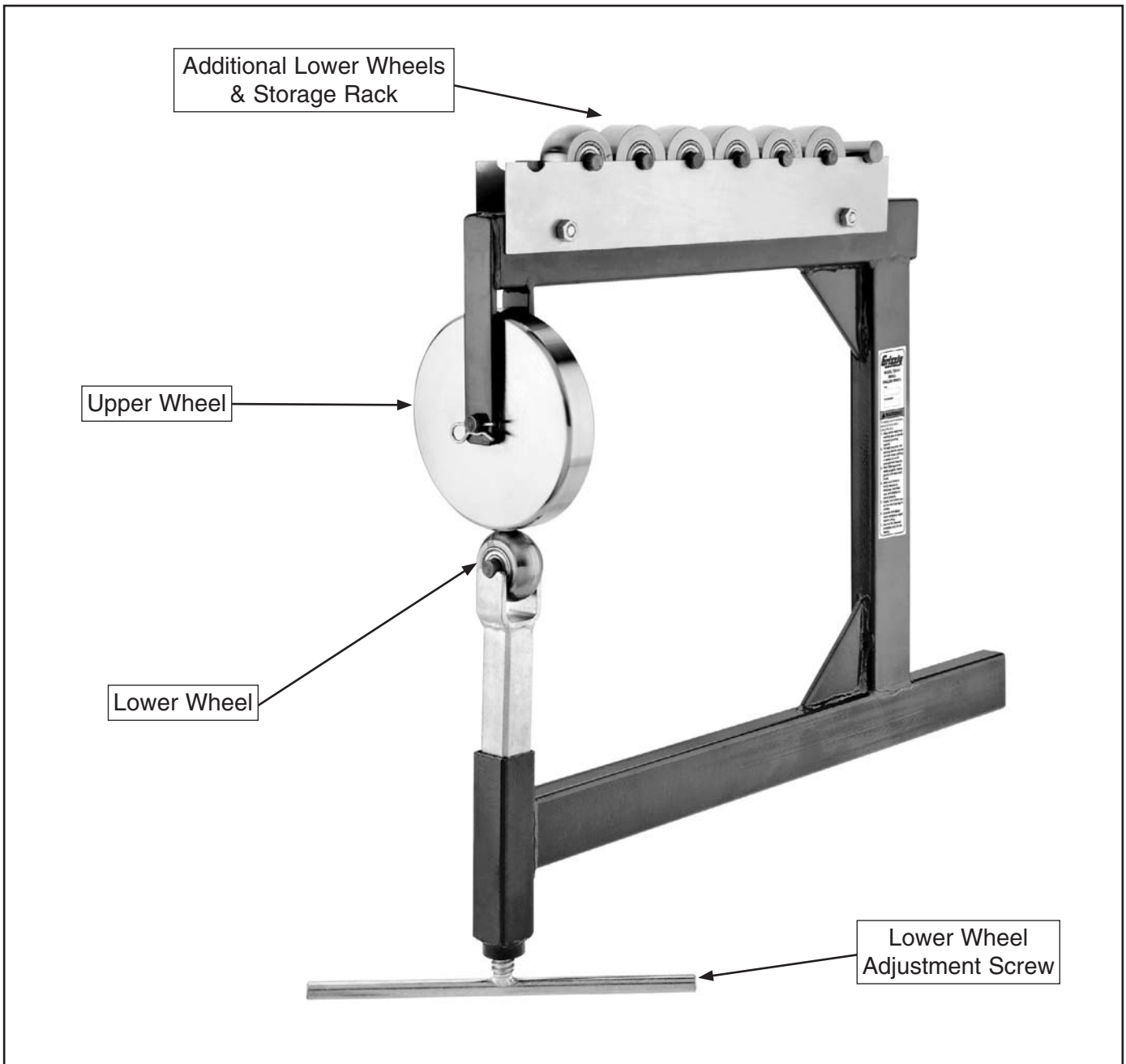
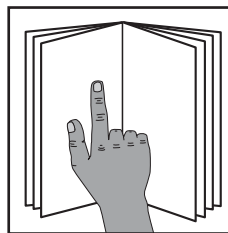


Figure 1. Model T25101.



## **⚠️ WARNING**

To reduce your risk of serious injury, read this entire manual **BEFORE** using machine.





# MACHINE DATA SHEET

© Grizzly Industrial, Inc. • Customer Service: (800) 523-4777 • Tech Support: (570) 546-9663

## MODEL T25101 SMALL ENGLISH WHEEL

### Product Dimensions:

Weight ..... 18 lbs.  
Width (side-to-side)/Depth (front-to-back)/Height ..... 1" x 23¼" x 19<sup>1</sup>/<sub>16</sub>"

### Shipping Dimensions:

Type ..... Cardboard Box  
Content..... Equipment  
Weight ..... 30 lbs.  
Width/Depth/Height ..... 2" x 21" x 25"

### Overall Dimensions:

Number of Upper Wheels ..... 1  
Upper Wheel Diameter ..... 149mm (5<sup>7</sup>/<sub>8</sub>")  
Upper Wheel Contour ..... Flat  
Number of Lower Wheels ..... 7  
Lower Wheel Diameters..... 50mm (2")  
Lower Wheel Contours ..... Flat, ½" Radius, 1" Radius, 1½" Radius, 2½" Radius, 5" Radius, 9" Radius  
Throat ..... 15<sup>3</sup>/<sub>8</sub>"

### Main Specifications:

Capacity ..... 16 Gauge Mild Steel, Aluminum, Copper

### Construction

Frame ..... Steel Tubing  
Wheels..... Hardened Steel  
Paint ..... Powder Coated

### Other Specifications:

Country Of Origin ..... China  
Warranty..... 1 Year  
Assembly Time ..... 10 Minutes

### Features:

Quick-Release Lever  
Bench Mounted  
1 Upper Wheel, 7 Lower Wheels  
Wheel Storage Rack



# SECTION 1: SAFETY

## For Your Own Safety, Read Instruction Manual Before Operating This Machine

The purpose of safety symbols is to attract your attention to possible hazardous conditions. This manual uses a series of symbols and signal words intended to convey the level of importance of the safety messages. The progression of symbols is described below. Remember that safety messages by themselves do not eliminate danger and are not a substitute for proper accident prevention measures. Always use common sense and good judgment.



Indicates an imminently hazardous situation which, if not avoided, **WILL** result in death or serious injury.



Indicates a potentially hazardous situation which, if not avoided, **COULD** result in death or serious injury.



Indicates a potentially hazardous situation which, if not avoided, **MAY** result in minor or moderate injury. It may also be used to alert against unsafe practices.

**NOTICE**

This symbol is used to alert the user to useful information about proper operation of the machine.

## Safety Instructions for Machinery

### **WARNING**

**OWNER'S MANUAL.** Read and understand this owner's manual **BEFORE** using machine.

**TRAINED OPERATORS ONLY.** Untrained operators have a higher risk of being hurt or killed. Only allow trained/supervised people to use this machine. When machine is not being used, disconnect power, remove switch keys, or lock-out machine to prevent unauthorized use—especially around children. Make workshop kid proof!

**DANGEROUS ENVIRONMENTS.** Do not use machinery in areas that are wet, cluttered, or have poor lighting. Operating machinery in these areas greatly increases the risk of accidents and injury.

**MENTAL ALERTNESS REQUIRED.** Full mental alertness is required for safe operation of machinery. Never operate under the influence of drugs or alcohol, when tired, or when distracted.

**ELECTRICAL EQUIPMENT INJURY RISKS.** You can be shocked, burned, or killed by touching live electrical components or improperly grounded machinery. To reduce this risk, only allow qualified service personnel to do electrical installation or repair work, and always disconnect power before accessing or exposing electrical equipment.

**DISCONNECT POWER FIRST.** Always disconnect machine from power supply **BEFORE** making adjustments, changing tooling, or servicing machine. This prevents an injury risk from unintended startup or contact with live electrical components.

**EYE PROTECTION.** Always wear ANSI-approved safety glasses or a face shield when operating or observing machinery to reduce the risk of eye injury or blindness from flying particles. Everyday eyeglasses are not approved safety glasses.



# WARNING

**WEARING PROPER APPAREL.** Do not wear clothing, apparel or jewelry that can become entangled in moving parts. Always tie back or cover long hair. Wear non-slip footwear to avoid accidental slips, which could cause loss of workpiece control.

**HAZARDOUS DUST.** Dust created while using machinery may cause cancer, birth defects, or long-term respiratory damage. Be aware of dust hazards associated with each workpiece material, and always wear a NIOSH-approved respirator to reduce your risk.

**HEARING PROTECTION.** Always wear hearing protection when operating or observing loud machinery. Extended exposure to this noise without hearing protection can cause permanent hearing loss.

**REMOVE ADJUSTING TOOLS.** Tools left on machinery can become dangerous projectiles upon startup. Never leave chuck keys, wrenches, or any other tools on machine. Always verify removal before starting!

**INTENDED USAGE.** Only use machine for its intended purpose and never make modifications not approved by Grizzly. Modifying machine or using it differently than intended may result in malfunction or mechanical failure that can lead to serious personal injury or death!

**AWKWARD POSITIONS.** Keep proper footing and balance at all times when operating machine. Do not overreach! Avoid awkward hand positions that make workpiece control difficult or increase the risk of accidental injury.

**CHILDREN & BYSTANDERS.** Keep children and bystanders at a safe distance from the work area. Stop using machine if they become a distraction.

**GUARDS & COVERS.** Guards and covers reduce accidental contact with moving parts or flying debris. Make sure they are properly installed, undamaged, and working correctly.

**FORCING MACHINERY.** Do not force machine. It will do the job safer and better at the rate for which it was designed.

**NEVER STAND ON MACHINE.** Serious injury may occur if machine is tipped or if the cutting tool is unintentionally contacted.

**STABLE MACHINE.** Unexpected movement during operation greatly increases risk of injury or loss of control. Before starting, verify machine is stable and mobile base (if used) is locked.

**USE RECOMMENDED ACCESSORIES.** Consult this owner's manual or the manufacturer for recommended accessories. Using improper accessories will increase the risk of serious injury.

**UNATTENDED OPERATION.** To reduce the risk of accidental injury, turn machine **OFF** and ensure all moving parts completely stop before walking away. Never leave machine running while unattended.

**MAINTAIN WITH CARE.** Follow all maintenance instructions and lubrication schedules to keep machine in good working condition. A machine that is improperly maintained could malfunction, leading to serious personal injury or death.

**CHECK DAMAGED PARTS.** Regularly inspect machine for any condition that may affect safe operation. Immediately repair or replace damaged or mis-adjusted parts before operating machine.

**MAINTAIN POWER CORDS.** When disconnecting cord-connected machines from power, grab and pull the plug—NOT the cord. Pulling the cord may damage the wires inside. Do not handle cord/plug with wet hands. Avoid cord damage by keeping it away from heated surfaces, high traffic areas, harsh chemicals, and wet/damp locations.

**EXPERIENCING DIFFICULTIES.** If at any time you experience difficulties performing the intended operation, stop using the machine! Contact our Technical Support at (570) 546-9663.





## **WARNING**

# Additional Safety for English Wheels

**METAL EDGES.** The sharp edges of sheet metal can quickly cut your fingers or hands. Always wear heavy leather gloves when handling sheet metal. Always chamfer and deburr sharp metal edges before inserting them into the English wheel.

**PINCHING HAZARD.** The rolling momentum of the wheels can pull your fingers between them resulting in pinching injuries. Always keep your hands away from the wheel path when moving the workpiece through the wheels.

**CRUSHING HAZARD.** If the heavy wheels or frame should unexpectedly fall, crushing injuries could result. Always make sure the frame is firmly secured to a bench-mounted vise that can properly support the weight and pressures of the operation. Make sure the wheels are properly installed on the support brackets or storage rack. Wear steel-toed boots.

**TOOL INSPECTION.** Using the English wheel with excessively worn or damaged parts could cause the tool to fail and present injury hazards, as well as yield poor results. Always inspect each part of the English wheel before beginning operations.

**TOOL USAGE.** This English wheel was designed only to form curves in sheet metal material such as steel or aluminum. Do not attempt to process any other material (e.g., glass, ceramic, plastic, etc.) that could result in material or tool breakage. Do not modify this tool in any way and do not exceed the capacity of 16 gauge sheet metal.

**BODY POSITION.** Losing your balance while tracking could result in impact injuries or laceration injuries from the sheet metal. Make sure your body and footing are balanced and in a good position to support your movement and momentum while tracking.

## **WARNING**

Like all machinery there is potential danger when operating this machine. Accidents are frequently caused by lack of familiarity or failure to pay attention. Use this machine with respect and caution to decrease the risk of operator injury. If normal safety precautions are overlooked or ignored, serious personal injury may occur.

## **CAUTION**

No list of safety guidelines can be complete. Every shop environment is different. Always consider safety first, as it applies to your individual working conditions. Use this and other machinery with caution and respect. Failure to do so could result in serious personal injury, damage to equipment, or poor work results.



# SECTION 2: SETUP

## Unpacking

Your machine was carefully packaged for safe transportation. Remove the packaging materials from around your machine and inspect it. If you discover any damage, *please call us immediately at (570) 546-9663 for advice.*

Save the containers and all packing materials for possible inspection by the carrier or its agent. *Otherwise, filing a freight claim can be difficult.*

When you are completely satisfied with the condition of your shipment, inventory the contents.

## Needed for Setup

The following are needed to complete the setup process, but are not included with your machine.

Description	Qty
• Small Hammer.....	1
• Wrench or Socket 12mm.....	1
• Wrench or Socket 14mm.....	1
• Vise Secured to Workbench.....	1
• Sturdy Workbench.....	1



# Inventory

The following is a description of the main components shipped with your machine. Lay the components out to inventory them.

If any non-proprietary parts are missing (e.g. a nut or a washer), we will gladly replace them; or for the sake of expediency, replacements can be obtained at your local hardware store.

—2½" Radius .....	1
—5" Radius .....	1
—9" Radius .....	1
—Flat.....	1
<b>E.</b> Lower Wheel Bracket .....	1
<b>F.</b> Bracket Spacer Rod .....	1
<b>G.</b> Hairpin Cotter Pin ⅜" x 1⅞".....	1
<b>H.</b> Hex Nuts ¼"-20 .....	2
<b>I.</b> Hex Bolts ¼"-20 x 1¼" .....	2
<b>J.</b> Lower Wheel Axle Rods.....	7
<b>K.</b> Upper Wheel Clevis Pin .....	1
<b>L.</b> Wheel Storage Racks.....	2

Shipping Inventory: (Figure 2)	Qty
<b>A.</b> Frame .....	1
<b>B.</b> Upper Wheel .....	1
<b>C.</b> Lower Wheel Adjusting Screw.....	1
<b>D.</b> Lower Wheels.....	1
—½" Radius .....	1
—1" Radius.....	1
—1½" Radius.....	1

**NOTICE**

If you cannot find an item on this list, carefully check the machine and the packaging materials. Some of these items may be pre-installed for shipping or become misplaced during unpacking.

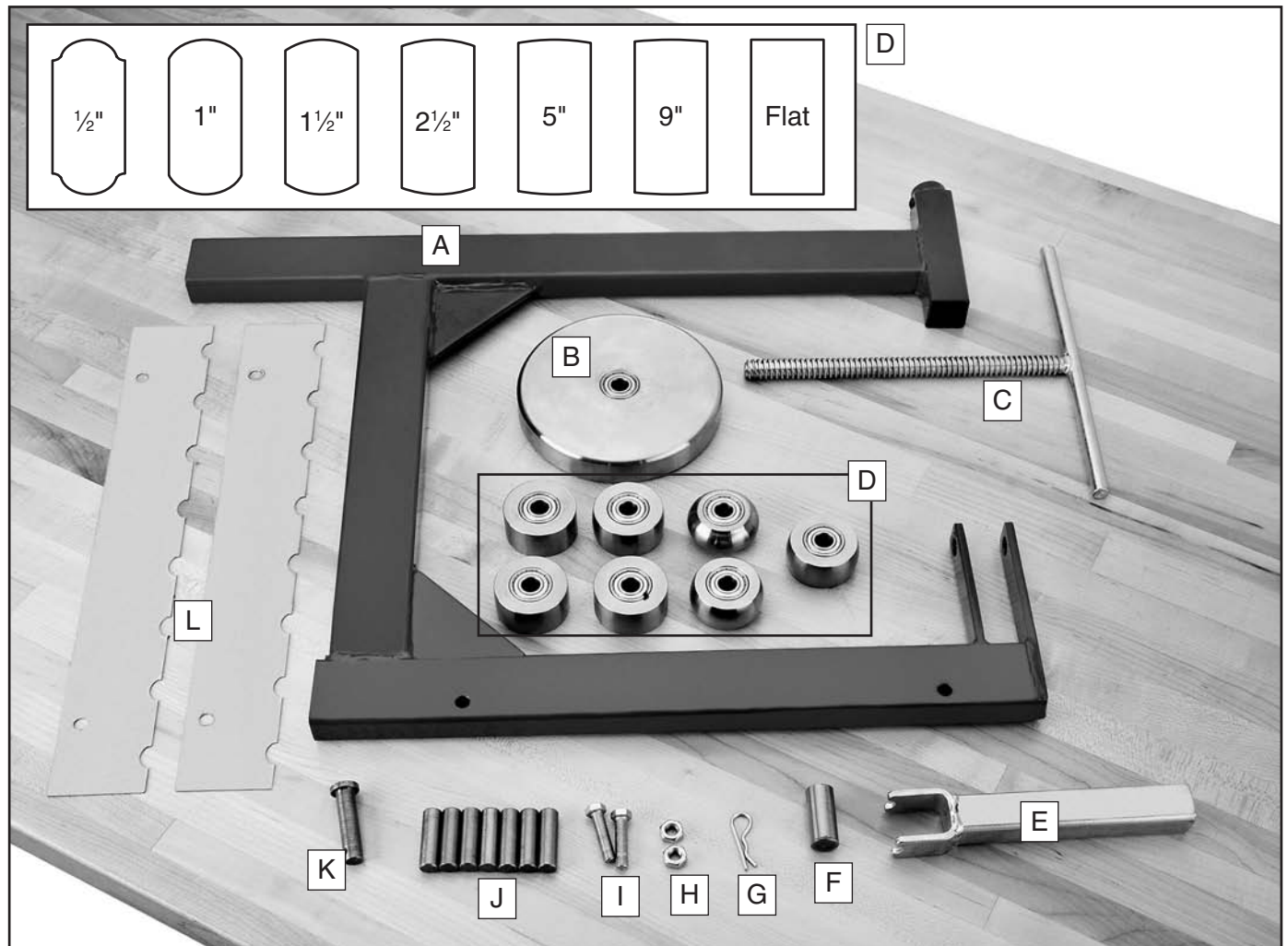


Figure 2. Model T25101 inventory.



# Workbench Mounting

The forces exerted on the English wheel during operation are substantial. The English wheel must be firmly secured in a vise (see **Figure 3** for an example) that is solidly attached to a workbench or table that will support the weight and dynamic pressures of the operation.

*Make sure that you have a workbench and vise setup for the English Wheel before performing the **Assembly** instructions. Refer to **Page 15** for options from Grizzly.*

**Note:** Use pieces of cardboard or wood between the vise jaws and the frame to prevent frame damage.



**Figure 3.** Example of Model T25101 secured in vise mounted to a workbench.

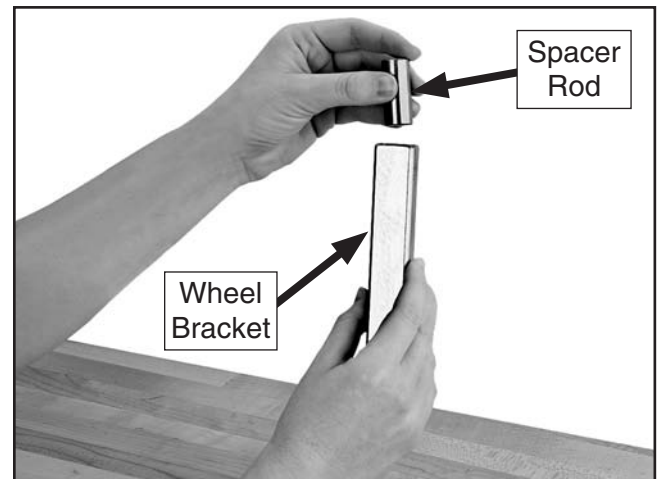
## ⚠ CAUTION

Make sure the workbench that the English wheel will be mounted on is stable and can support the weight of the tool, the workpiece, and the forces exerted during operation.

# Assembly

To assemble the English wheel:

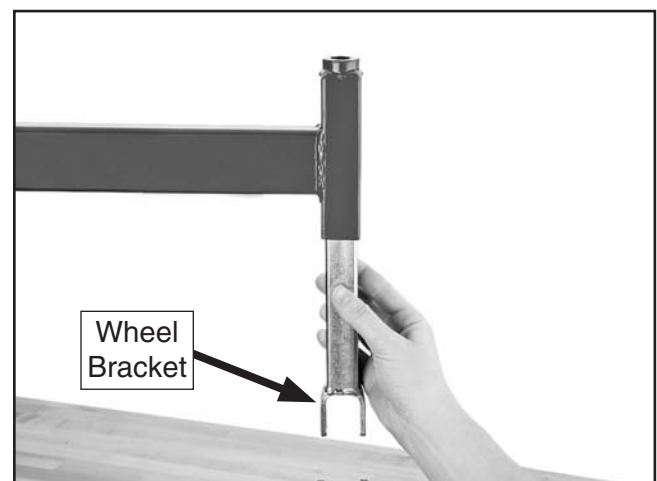
1. Insert the bracket spacer rod into the bottom of the lower wheel bracket, as shown in **Figure 4**.



**Figure 4.** Inserting spacer rod into wheel bracket.

2. Turn the frame upside down and insert the lower wheel bracket into the frame, as shown in **Figure 5**.

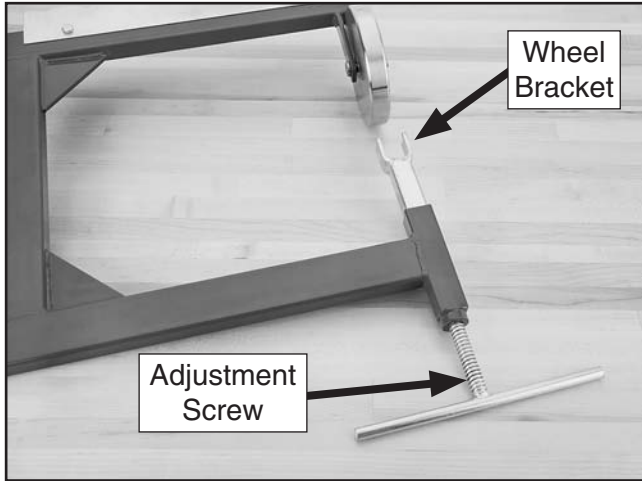
**Note:** Inserting the wheel bracket into the frame when it is upside down will keep the spacer rod inside the bracket.



**Figure 5.** Inserting wheel bracket into frame.



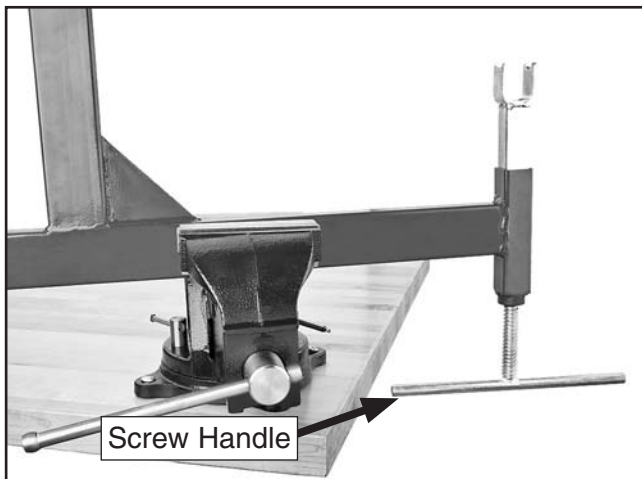
3. Lay the frame down flat and thread the lower wheel adjustment screw into the frame opposite the wheel bracket (see **Figure 6**).



**Figure 6.** Lower wheel adjustment screw installed.

4. Secure the assembly into the bench-mounted vise, as described on the previous page.

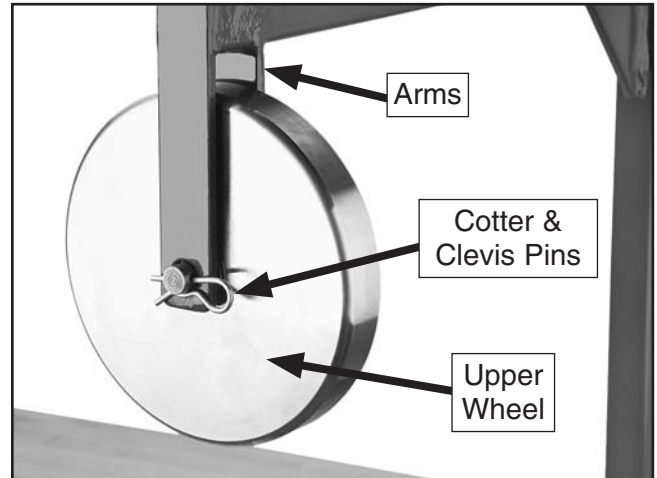
**Note:** Make sure the adjustment screw handle has enough clearance from the bench to fully rotate (see **Figure 7**).



**Figure 7.** Adequate clearance to fully rotate adjustment screw handle.

5. Position the upper wheel between the frame arms, insert the upper wheel clevis pin through the arms and wheel, and secure the pin with the hairpin cotter pin (see **Figure 8**).

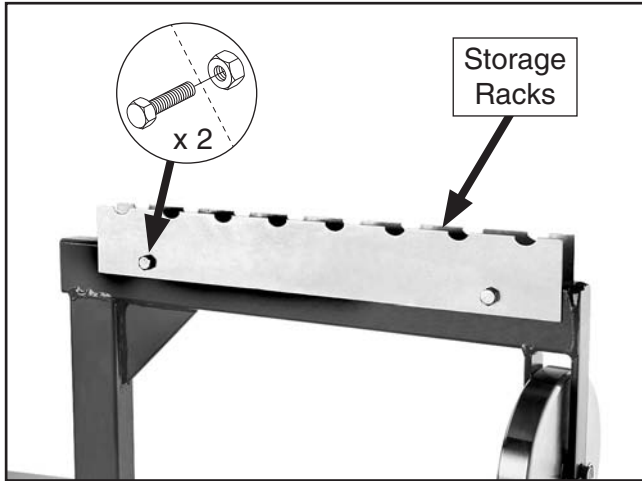
**Note:** If the cotter pin does not easily slide into the clevis pin hole, insert it as far as you can and use a small hammer to tap it the rest of the way.



**Figure 8.** Upper wheel installed.

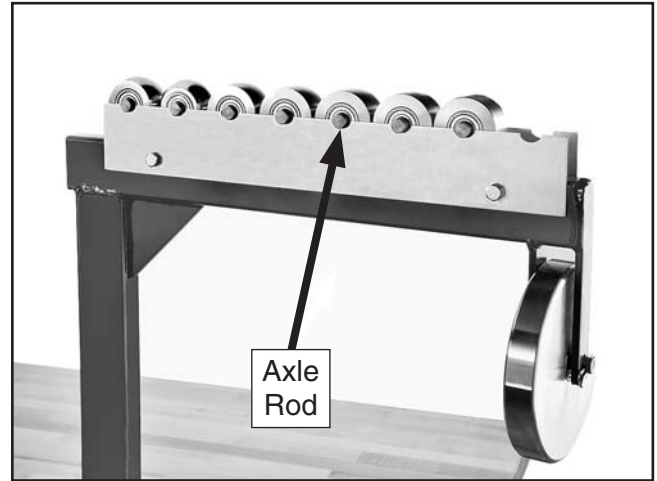
Continued on next page →

6. Attach the lower wheel storage racks to the frame top with (2)  $\frac{1}{4}$ "-20 x  $1\frac{1}{4}$ " hex bolts and (2)  $\frac{1}{4}$ "-20 hex nuts (see **Figure 9**).



**Figure 9.** Storage racks installed.

7. Insert a lower wheel axle rod into each lower wheel, then place the assemblies on the wheel storage racks (see **Figure 10**).



**Figure 10.** Lower wheel assemblies on wheel storage racks.





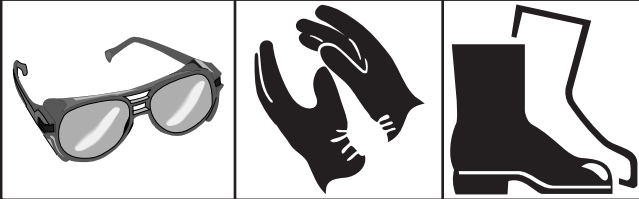
# SECTION 3: OPERATIONS

---

---

## **WARNING**

Damage to your eyes, hands and feet could result from using this tool without proper protective gear. Always wear safety glasses, leather gloves, and steel toe footwear when operating this tool.



## **NOTICE**

If you are not experienced with this type of machine, **WE STRONGLY RECOMMEND** that you seek additional training outside of this manual. Read books/magazines or get formal training before beginning any projects. Regardless of the content in this section, Grizzly Industrial will not be held liable for accidents caused by lack of training.

## Tracking Tips

---

---

- Stretching metal into a curve should be a gradual process. Always start with just enough wheel pressure to prevent the workpiece from skipping or slipping through the wheels. After the initial curve has formed, increase the pressure slightly and continue stretching the metal. Repeat this process until the desired curve is attained. Using too much pressure will damage the workpiece surface and produce poor results.
- Start with the lower wheel that has the least radius (crown), then increase the wheel radius a step at a time until the desired curve is reached.
- Practice with a scrap piece that is the same material and thickness as the final operation.
- Leave a frame around the workpiece of approximately 1" that does not go through the wheels. As the center of the workpiece stretches and the frame does not, the metal is forced to bend into a curve.
- Take your time. Many passes through the wheels with gradual increases in pressure and lower wheel radii will produce good results and reduce the risk of damaging the workpiece surface.
- Overlap each pass with the previous one in a back-and-forth, smooth movement through the wheels. There are many patterns of tracking that will produce different results. Choosing the correct pattern for your operation is a matter of research and experience.



# Basic Operations

The individual results from using an English wheel are countless. Practice, read books/internet sites, watch videos, and seek advice from experienced wheelers to gain necessary knowledge and experience to produce good results.

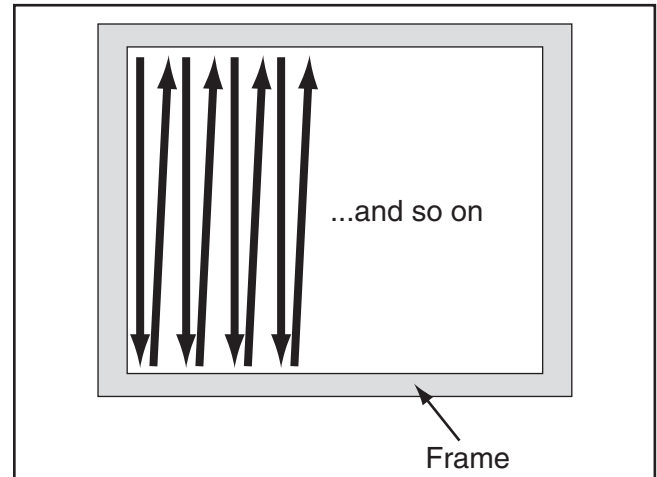
The procedure below is an example of a very basic operation.

## To use the English wheel:

1. Make sure the frame is firmly secured in a bench-mounted vise that is solidly attached to a bench or table that will support the weight and pressures of the operation.
2. Put on safety glasses, leather gloves, and steel-toed boots.
3. Deburr the sharp edges of the workpiece (see **Accessories** on **Page 15** for an optional deburring tool).
4. Mark a frame around the workpiece of approximately 1".
5. Clean the wheels to remove any abrasive material that could damage the surfaces of the workpiece or wheels.
6. Install the lower wheel with the least radius (crown).
7. Use the lower wheel adjustment screw to raise the lower wheel up, leaving enough room to insert the workpiece between the wheels.
8. Insert the workpiece between the wheels and adjust the lower wheel so that the wheel pressure is just enough to prevent the workpiece from skipping or slipping through the wheels.

6. Move the workpiece back and forth through the wheels in an overlapping pattern (see example in **Figure 11**).

**Note:** *This example is just one of many patterns of tracking.*



**Figure 11.** Example of basic back-and-forth tracking pattern.

7. When the workpiece no longer stretches, rotate the lower wheel adjustment screw clockwise to slightly increase the pressure.
8. When maximum wheel pressure is reached and the workpiece no longer moves through the wheels, change the lower wheel to the next highest radius.
9. Repeat **Steps 5–8** until the desired curve is attained.





# SECTION 4: ACCESSORIES

## **! WARNING**

Installing unapproved accessories may cause machine to malfunction, resulting in serious personal injury or machine damage. To reduce this risk, only install accessories recommended for this machine by Grizzly.

## **NOTICE**

Refer to our website or latest catalog for additional recommended accessories.

### **Heavy-Duty Bench Vises with Anvils**

**G7059—5", 45 lbs.**

**G7060—6", 68 lbs.**

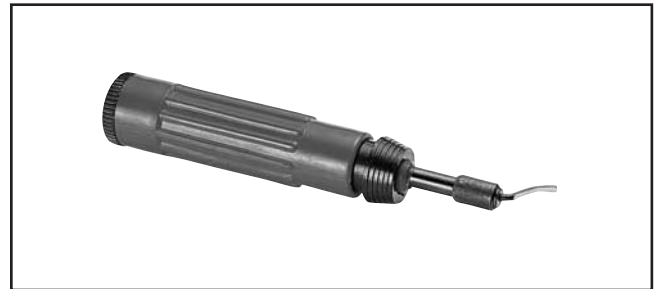
These tough vises are ideal for all bench work applications. Large machined center slide keeps jaws aligned under maximum pressure. Other features include large Acme screws, anvil faces, and 0°–90° swivel.



**Figure 12.** Heavy-Duty Bench Vise with Anvil.

### **G5618—Deburring Tool with two Blades**

The quickest tool for smoothing freshly sheared metal edges. Comes with two blades, one for steel and aluminum and one for brass and cast iron.



**Figure 13.** Model G5618 Deburring tool.

### **Super Heavy-Duty Birch Workbench**

**H8361—60" x 30"**

**H8362—72" x 36"**

Sized to fit the needs of any shop, these Super Heavy-Duty Birch Workbenches have solid 3" thick tops that stand 38" above the floor. The end vise measures 14<sup>3</sup>/<sub>4</sub>" wide (H8361) or 17<sup>3</sup>/<sub>4</sub>" wide (H8362) and has a 7" maximum capacity. Stable laminated birch provides strength and durability. You'll be proud to have this workbench in your shop!



**Figure 14.** Super Heavy-Duty Birch Workbench.

**order online at [www.grizzly.com](http://www.grizzly.com) or call 1-800-523-4777**



# SECTION 5: MAINTENANCE

---

---

## Schedule

---

---

For optimum performance from your tool, follow this maintenance schedule and refer to any specific instructions given in this section.

### Daily Check:

- Damaged wheels.
- Damaged or cracked frame.
- Any other unsafe condition.

### Daily Maintenance:

- Clean and protect wheels.

## Cleaning & Protecting

---

---

Use clean shop rags to clean all wheel surfaces and the wheel axle rods. Apply a metal protectant (see **Page 15**), then wipe off any excess to leave a thin coat.

## Lubrication

---

---

The wheel bearings are factory lubricated and sealed, and do not require lubrication. Merely leave them alone unless they need replacement.

Periodically, remove the lower wheel adjustment screw and wipe the threads with a lightly-oiled shop rag.



# SECTION 6: SERVICE

Review the troubleshooting and procedures in this section if a problem develops with your machine. If you need replacement parts or additional help with a procedure, call our Technical Support at (570) 546-9663.

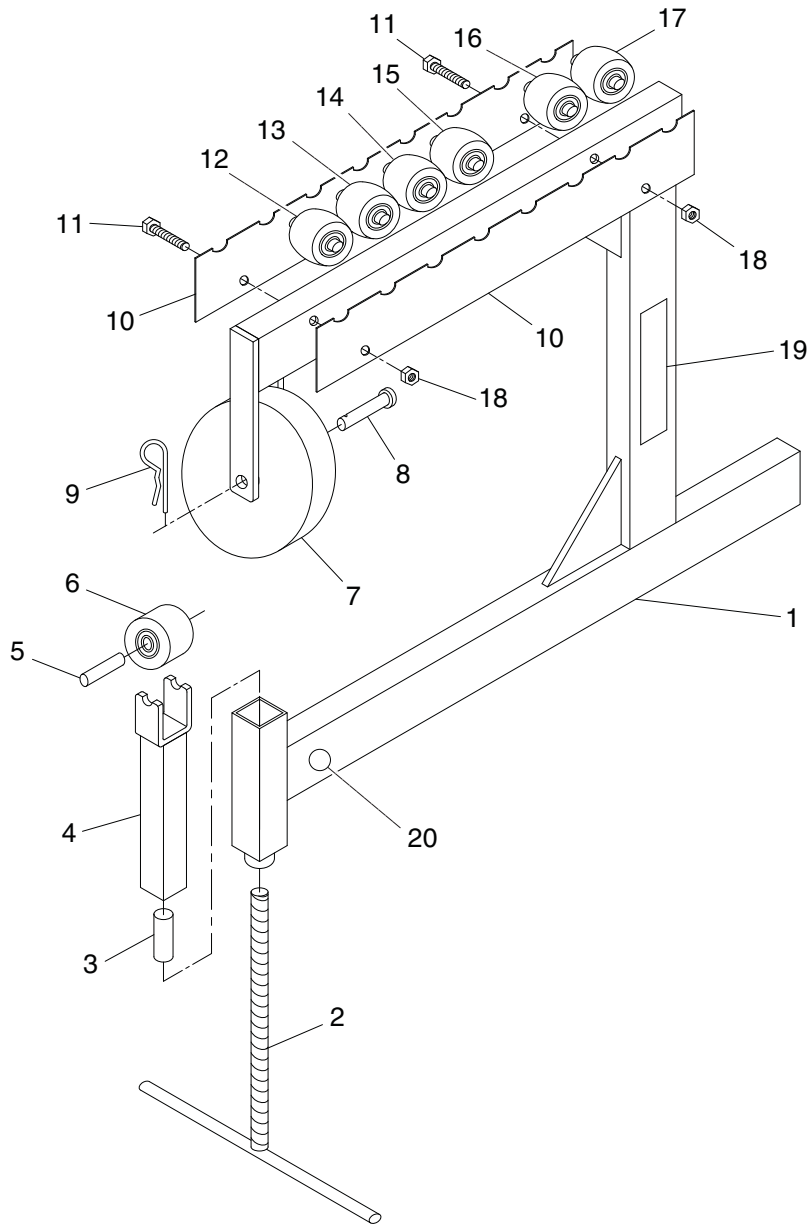
**Note:** Please gather the serial number and manufacture date of your machine before calling.

## Troubleshooting

Symptom	Possible Cause	Possible Solution
Workpiece surface is marred or scratched.	<ol style="list-style-type: none"><li>1. Too much wheel pressure.</li><li>2. Wheels are dirty.</li></ol>	<ol style="list-style-type: none"><li>1. Reduce wheel pressure.</li><li>2. Clean and protect all wheel surfaces (see <b>Page 16</b>).</li></ol>
Workpiece does not move through wheels without excessive force.	<ol style="list-style-type: none"><li>1. Too much wheel pressure.</li><li>2. Wheel bearings at fault.</li></ol>	<ol style="list-style-type: none"><li>1. Reduce wheel pressure.</li><li>2. Replace wheel bearings.</li></ol>
Workpiece curve is too high.	<ol style="list-style-type: none"><li>1. Lower wheel radius is too great.</li></ol>	<ol style="list-style-type: none"><li>1. Use a lower wheel with less radius (crown).</li></ol>
Workpiece curve is not high enough.	<ol style="list-style-type: none"><li>1. Lower wheel radius is not enough.</li></ol>	<ol style="list-style-type: none"><li>1. Start with lower wheel of least radius and work up to correct radius for the operation.</li></ol>
Workpiece curve will not form.	<ol style="list-style-type: none"><li>1. Not enough wheel pressure.</li><li>2. Lower wheel has flat surface.</li></ol>	<ol style="list-style-type: none"><li>1. Gradually increase wheel pressure.</li><li>2. Use lower wheel(s) with a radius (crown).</li></ol>
Workpiece has wrinkles.	<ol style="list-style-type: none"><li>1. Tracking pattern at fault.</li><li>2. Too much wheel pressure.</li></ol>	<ol style="list-style-type: none"><li>1. Use a consistent and smooth tracking pattern that overlaps with each back-and-forth pass.</li><li>2. Start with least amount of pressure, then gradually increase pressure when the curve stops forming.</li></ol>



# SECTION 7: PARTS



REF	PART #	DESCRIPTION
1	PT25101001	FRAME
2	PT25101002	LOWER WHEEL ADJUSTMENT SCREW
3	PT25101003	BRACKET SPACER ROD
4	PT25101004	LOWER WHEEL BRACKET
5	PT25101005	LOWER WHEEL AXLE ROD
6	PT25101006	FLAT LOWER WHEEL
7	PT25101007	UPPER WHEEL
8	PT25101008	UPPER WHEEL CAPTIVE PIN
9	PCOTH001	HAIRPIN COTTER PIN 3/8 X 1-7/8
10	PT25101010	WHEEL STORAGE RACK

REF	PART #	DESCRIPTION
11	PB13	HEX BOLT 1/4-20 X 1-1/4
12	PT25101012	LOWER WHEEL 1/2" RADIUS
13	PT25101013	LOWER WHEEL 1" RADIUS
14	PT25101014	LOWER WHEEL 1-1/2" RADIUS
15	PT25101015	LOWER WHEEL 2-1/2" RADIUS
16	PT25101016	LOWER WHEEL 5" RADIUS
17	PT25101017	LOWER WHEEL 9" RADIUS
18	PN05	HEX NUT 1/4-20
19	PT25101019	MACHINE ID LABEL
20	PPAINT-1	GRIZZLY GREEN TOUCH-UP PAINT

**Please Note:** We do our best to stock replacement parts whenever possible, but we cannot guarantee that all parts shown here are available for purchase. Call (800) 523-4777 or visit our online parts store at [www.grizzly.com](http://www.grizzly.com) to check for availability.





# WARRANTY CARD

Name \_\_\_\_\_  
 Street \_\_\_\_\_  
 City \_\_\_\_\_ State \_\_\_\_\_ Zip \_\_\_\_\_  
 Phone # \_\_\_\_\_ Email \_\_\_\_\_  
 Model # \_\_\_\_\_ Order # \_\_\_\_\_ Serial # \_\_\_\_\_

The following information is given on a voluntary basis. It will be used for marketing purposes to help us develop better products and services. **Of course, all information is strictly confidential.**

1. How did you learn about us?

Advertisement       Friend       Catalog  
 Card Deck       Website       Other:

2. Which of the following magazines do you subscribe to?

<input type="checkbox"/> Cabinetmaker & FDM	<input type="checkbox"/> Popular Science	<input type="checkbox"/> Wooden Boat
<input type="checkbox"/> Family Handyman	<input type="checkbox"/> Popular Woodworking	<input type="checkbox"/> Woodshop News
<input type="checkbox"/> Hand Loader	<input type="checkbox"/> Precision Shooter	<input type="checkbox"/> Woodsmith
<input type="checkbox"/> Handy	<input type="checkbox"/> Projects in Metal	<input type="checkbox"/> Woodwork
<input type="checkbox"/> Home Shop Machinist	<input type="checkbox"/> RC Modeler	<input type="checkbox"/> Woodworker West
<input type="checkbox"/> Journal of Light Cont.	<input type="checkbox"/> Rifle	<input type="checkbox"/> Woodworker's Journal
<input type="checkbox"/> Live Steam	<input type="checkbox"/> Shop Notes	<input type="checkbox"/> Other:
<input type="checkbox"/> Model Airplane News	<input type="checkbox"/> Shotgun News	
<input type="checkbox"/> Old House Journal	<input type="checkbox"/> Today's Homeowner	
<input type="checkbox"/> Popular Mechanics	<input type="checkbox"/> Wood	

3. What is your annual household income?

\$20,000-\$29,000       \$30,000-\$39,000       \$40,000-\$49,000  
 \$50,000-\$59,000       \$60,000-\$69,000       \$70,000+

4. What is your age group?

20-29       30-39       40-49  
 50-59       60-69       70+

5. How long have you been a woodworker/metalworker?

0-2 Years       2-8 Years       8-20 Years       20+ Years

6. How many of your machines or tools are Grizzly?

0-2       3-5       6-9       10+

7. Do you think your machine represents a good value?       Yes       No

8. Would you recommend Grizzly Industrial to a friend?       Yes       No

9. Would you allow us to use your name as a reference for Grizzly customers in your area?

**Note:** We never use names more than 3 times.       Yes       No

10. Comments: \_\_\_\_\_  
 \_\_\_\_\_  
 \_\_\_\_\_  
 \_\_\_\_\_

CUT ALONG DOTTED LINE

FOLD ALONG DOTTED LINE

\_\_\_\_\_

\_\_\_\_\_

\_\_\_\_\_



Place  
Stamp  
Here



**GRIZZLY INDUSTRIAL, INC.**  
P.O. BOX 2069  
BELLINGHAM, WA 98227-2069



FOLD ALONG DOTTED LINE

Send a Grizzly Catalog to a friend:

Name _____
Street _____
City _____ State _____ Zip _____

TAPE ALONG EDGES--PLEASE DO NOT STAPLE

# WARRANTY & RETURNS

---

---

Grizzly Industrial, Inc. warrants every product it sells for a period of **1 year** to the original purchaser from the date of purchase. This warranty does not apply to defects due directly or indirectly to misuse, abuse, negligence, accidents, repairs or alterations or lack of maintenance. This is Grizzly's sole written warranty and any and all warranties that may be implied by law, including any merchantability or fitness, for any particular purpose, are hereby limited to the duration of this written warranty. We do not warrant or represent that the merchandise complies with the provisions of any law or acts unless the manufacturer so warrants. In no event shall Grizzly's liability under this warranty exceed the purchase price paid for the product and any legal actions brought against Grizzly shall be tried in the State of Washington, County of Whatcom.

We shall in no event be liable for death, injuries to persons or property or for incidental, contingent, special, or consequential damages arising from the use of our products.

To take advantage of this warranty, contact us by mail or phone and give us all the details. We will then issue you a "Return Number," which must be clearly posted on the outside as well as the inside of the carton. We will not accept any item back without this number. Proof of purchase must accompany the merchandise.

The manufacturers reserve the right to change specifications at any time because they constantly strive to achieve better quality equipment. We make every effort to ensure that our products meet high quality and durability standards and we hope you never need to use this warranty.

Please feel free to write or call us if you have any questions about the machine or the manual.

Thank you again for your business and continued support. We hope to serve you again soon.

# *grizzly.com*<sup>®</sup>

**TOOL WEBSITE**

Buy Direct and Save with Grizzly<sup>®</sup> – Trusted, Proven and a Great Value!  
~Since 1983~

*Visit Our Website Today For  
Current Specials!*

**ORDER  
24 HOURS A DAY!  
1-800-523-4777**





## Free Manuals Download Website

<http://myh66.com>

<http://usermanuals.us>

<http://www.somanuals.com>

<http://www.4manuals.cc>

<http://www.manual-lib.com>

<http://www.404manual.com>

<http://www.luxmanual.com>

<http://aubethermostatmanual.com>

Golf course search by state

<http://golfingnear.com>

Email search by domain

<http://emailbydomain.com>

Auto manuals search

<http://auto.somanuals.com>

TV manuals search

<http://tv.somanuals.com>