



MODEL T23121/T23122 TRAILER JACK 1000 LB/1500 LB INSTRUCTION SHEET

⚠️WARNING

To reduce the risk of property damage, serious personal injury, or death when using this jack, take the following precautions:

- Refer to your trailer owner's manual to verify the *Trailer Max Tongue Weight* does not exceed the maximum trailer jack load rating.
- During installation, do not place any part of your body under the trailer tongue. Only support the trailer tongue with jack stands rated for more than the tongue weight of your trailer.
- Only use this trailer jack on a hard, level surface capable of sustaining the load.
- Always block trailer wheels when using this trailer jack.
- Do not modify this trailer jack.
- Never allow children to play with or near the trailer jack while it is supporting the trailer.
- Never work under a trailer that is supported only by a trailer jack.
- Periodically inspect the jack fasteners, frame, and welds for looseness, cracks, or other damage. Do not use the jack if there is a problem.
- Never tow a trailer with the jack in the "Down" position, and be sure to lock the jack in the "Up" position before towing.
- Always make sure that the trailer hitch receiver is fully connected and properly locked to the ball hitch before retracting this trailer jack.



Figure 1. Model T23121.

Introduction

The Model T23121/T23122 Trailer Jack can be mounted to the tongue of a trailer with a tongue weight less than 1000 lbs (1500 lbs for the Model T23122). The pivoting mounting plate allows the jack assembly to swing out of the way and lock in place to prevent high-centering when towing.

Specifications

Maximum Load (T23121)	1000 lbs.
Maximum Load (T23122)	1500 lbs.
Collapsed Height (Wheel to Pivot Center)	
T23121	12"
T23122	12¼"
Extended Height (Wheel to Pivot Center)	
T23121	22"
T23122	22¼"
Vertical Travel	10"
Mounting Plate Size	5½" x 6¾"
Bolt Pattern	See Figure 2
Wheel Size	6"
Weight (T23121)	14 lbs.
Weight (T23122)	18 lbs.

COPYRIGHT © DECEMBER, 2010 BY GRIZZLY INDUSTRIAL, INC.

WARNING: NO PORTION OF THIS MANUAL MAY BE REPRODUCED IN ANY SHAPE OR FORM WITHOUT THE WRITTEN APPROVAL OF GRIZZLY INDUSTRIAL, INC.

#JB13553 PRINTED IN CHINA

Installation

1. Read all safety precautions listed.
2. On a level surface, chock the trailer wheels, raise the trailer tongue at least 18" off the ground with a floor jack or other suitable lifting device, then use a jack stand to support the trailer tongue.
3. Identify a mounting location on one of the trailer tongue's main frame rails that meets the following requirements:
 - Is perpendicular to the ground (vertical)
 - Provides adequate clearance when connecting the trailer to the tow hitch of the towing vehicle.
 - Allows the jack to swing 90° and lock in position when towing.
 - Provides a clamping location for all four bolts and both clamping brackets (see **Figures 2–3**).
 - Prevents the jack from twisting or sliding during use.

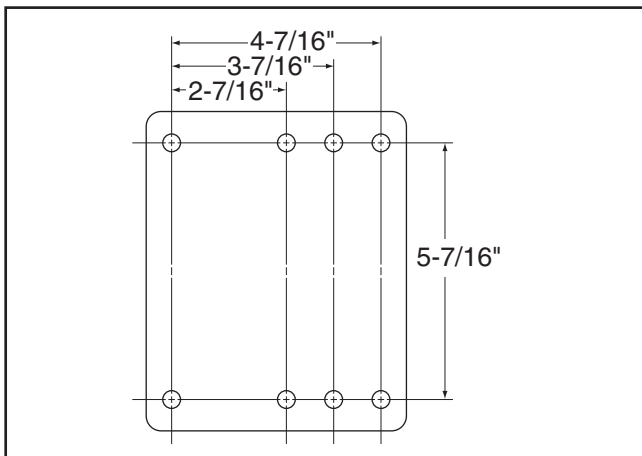


Figure 2. Mounting plate bolt pattern.

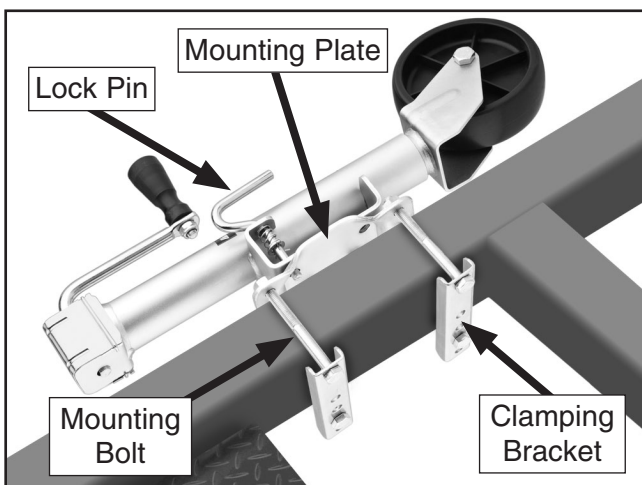


Figure 3. Typical mounting position.

4. Mount the jack in the chosen location, as shown in **Figure 3**, using the provided mounting hardware.
 - If your mounting position requires additional hardware, make sure you use Grade 8 fasteners.
5. Rotate the jack to the vertical position, then make sure the lock pin is inserted fully into the mounting plate
6. Turn the handle to lift the trailer tongue and remove the jack stand.

Operation

1. Read all required safety precautions listed.
2. Turn the jack handle to lift the trailer tongue high enough to clear the vehicle tow ball.
3. Back up the tow vehicle so that the trailer tongue lines up with the tow ball. Shut off the tow vehicle and apply its parking brake.
4. Lower the tongue onto the tow ball and lock them together. Connect safety chains and electrical connections. Fully retract the jack.
5. Pull the lock pin, then rotate the jack approximately 90° until the lock pin snaps back into place, securing the jack in the towing position.
6. Pull on the jack to make sure it is locked in position.
7. When you are ready to remove the trailer from the tow vehicle, chock the trailer wheels and secure the parking brake on the tow vehicle.
8. Pull the lock pin and rotate the jack towards the support position until the lock pin snaps back into place.
9. Release the hitch mechanism on the trailer, then turn the jack until the tongue lifts from the hitch, then remove the tow vehicle.

If you have any questions about your new trailer jack, call our Tech Support at: (570) 546-9663.

Free Manuals Download Website

<http://myh66.com>

<http://usermanuals.us>

<http://www.somanuals.com>

<http://www.4manuals.cc>

<http://www.manual-lib.com>

<http://www.404manual.com>

<http://www.luxmanual.com>

<http://aubethermostatmanual.com>

Golf course search by state

<http://golfingnear.com>

Email search by domain

<http://emailbydomain.com>

Auto manuals search

<http://auto.somanuals.com>

TV manuals search

<http://tv.somanuals.com>