



# MODEL T10877 CANISTER FILTER FOR G0710/G0710P INSTRUCTIONS

For questions or help with this product contact Tech Support at (570) 546-9663 or techsupport@grizzly.com

## Introduction

This kit includes everything you need to upgrade your G0710 or G0710P dust collector with a 1-micron canister filter and plastic collection bag.

The canister filter is equipped with an internal cleaning system that is operated by the external crank handle. Rotating this handle 5 or 6 times will knock loose any built-up dust inside the filter, thereby improving airflow. The plastic collection bag is replaceable, so it can be tied off and disposed of—without increasing your exposure to fine dust.

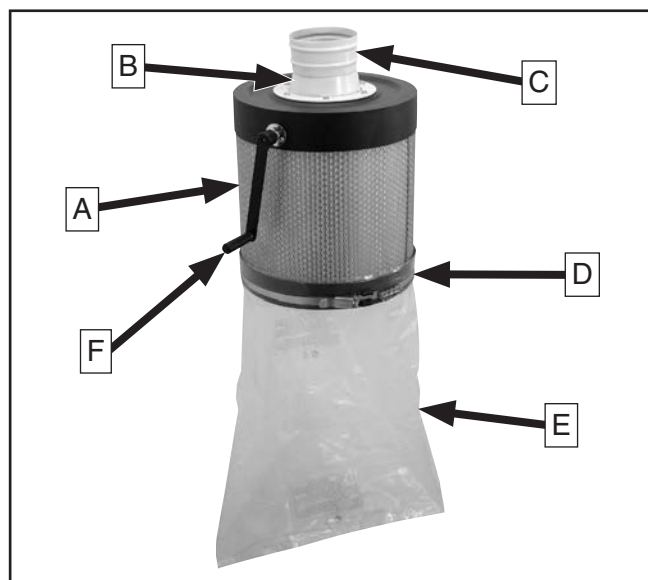


Figure 1. Model T10877.

## Inventory

Description	Qty
A. Canister Filter .....	1
B. Collection Flange.....	1
C. Connection Collar.....	1
D. Bag Clamp.....	1
E. Collection Bag .....	1
F. Clean-Out Crank Handle Assembly .....	1
G. Adhesive Foam Strips (Not Shown)	
Short (For Flange) .....	1
Long (For Filter).....	1
H. Hardware Bag (Not Shown)	
Flange Screw 1/4"-20 x 3/4" .....	6
Flat Washer 5/16" .....	4
Hex Nut 5/16"-18 .....	2
Hex Bolt 5/16"-18 x 2" .....	2
Open-End Wrench 10 x 12mm.....	1

## ⚠ CAUTION

Properly seal all connection points when installing filter kit to reduce potential exposure to fine dust from leaks.

## Installing Canister Filter

1. DISCONNECT MACHINE FROM POWER!
2. Remove bag clamp and filter bag from G0710/G0710P collector body.

COPYRIGHT © APRIL, 2015 BY GRIZZLY INDUSTRIAL, INC.  
NO PORTION OF THIS MANUAL MAY BE REPRODUCED IN ANY SHAPE  
OR FORM WITHOUT THE WRITTEN APPROVAL OF GRIZZLY INDUSTRIAL, INC.  
(FOR MODELS MFD. SINCE 03/15) #WK17321 PRINTED IN TAIWAN

V1.04.15

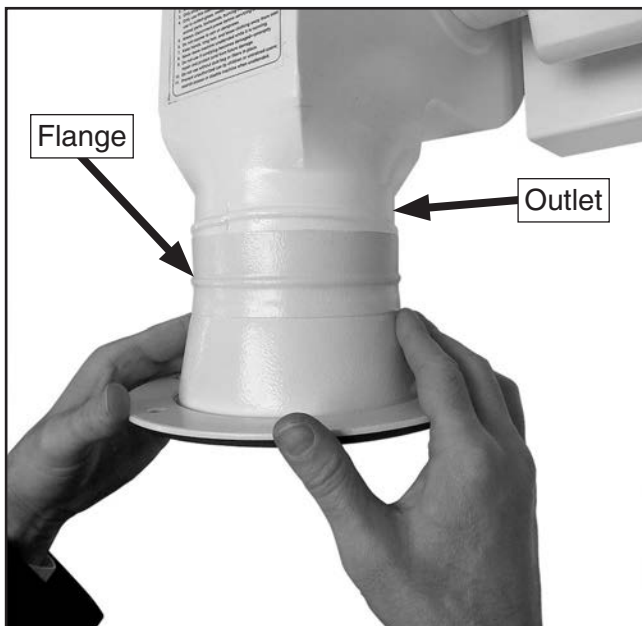
3. Attach short foam strip to mating surface of collection flange (see **Figure 2**).

**Note:** *In order to prevent leaks, you may have to cut strip into multiple pieces to obtain the necessary curve and achieve a consistent, uniform seal with no gaps.*



**Figure 2.** Flange gasket attached to collection flange.

4. Mount collection flange onto collector body outlet (see **Figure 3**).



**Figure 3.** Mounting connection flange.

5. Wrap electrical tape or duct tape around seam to provide seal (see **Figure 4**).



**Figure 4.** Electrical tape wrapped around seam between collection flange and outlet.

6. Install connection collar around collection flange and collector body outlet, as shown in **Figure 5**.

**Note:** *You will need to pull connection collar apart slightly to get it around flange and collector body outlet.*



**Figure 5.** Installing connection collar.

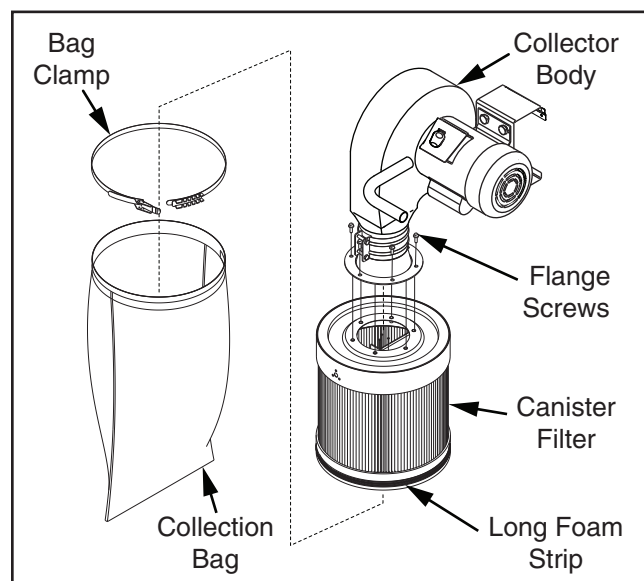
7. Install (2)  $\frac{5}{16}$ "-18 x 2" hex bolts, (4)  $\frac{5}{16}$ " flat washers, and (2)  $\frac{5}{16}$ "-18 hex nuts into connection collar, then tighten, making sure ridges in collar mate with ridges in flange and collector body outlet (see **Figure 6**).

**Note:** Tug flange by hand to make sure it is secure before proceeding.



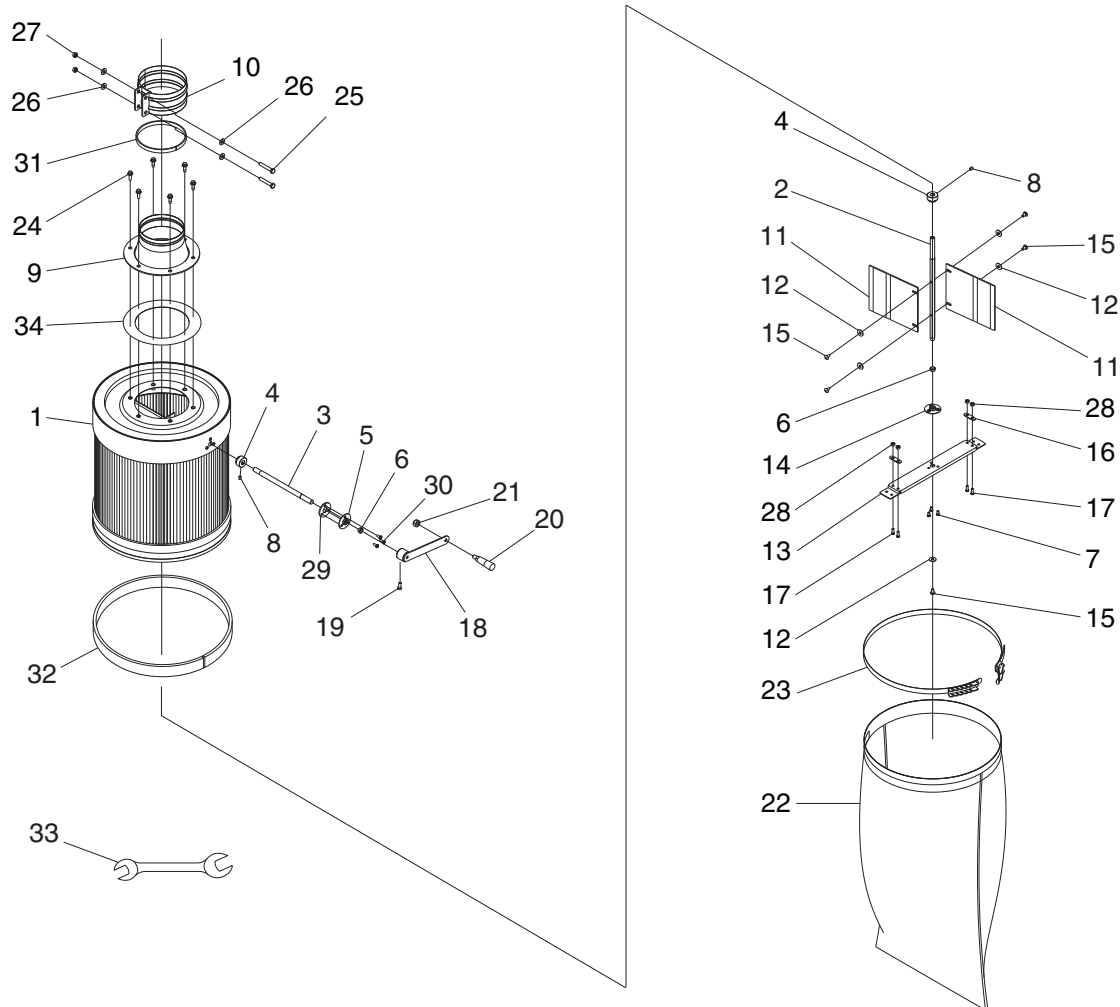
**Figure 6.** Connection collar secured firmly in place around collection flange and outlet.

8. Attach canister filter to flange with (6)  $\frac{1}{4}$ "-20 x  $\frac{3}{4}$ " flange screws (see **Figure 7**).
9. Attach long foam strip to groove around bottom of canister filter (see **Figure 7**).
10. Place collection bag over bottom of canister filter and secure with bag clamp, making sure clamp is seated in groove over foam strip (see **Figure 7**).



**Figure 7.** T10877 final assembly on dust collector.

# T10877 Parts Breakdown and List



REF	PART #	DESCRIPTION
1	PT10877001	CANISTER FILTER 15" x 16-3/16"
2	PT10877002	MAIN SPINDLE
3	PT10877003	CRANK SPINDLE
4	PT10877004	BEVEL GEAR
5	PT10877005	BEARING PLATE
6	PT10877006	BUSHING
7	PT10877007	PHLP HD SCR M5-.8 X 10
8	PT10877008	SET SCREW 1/4-20 X 5/16
9	PT10877009	COLLECTION FLANGE
10	PT10877010	CONNECTION COLLAR
11	PT10877011	CLEANOUT FLAPPER
12	PT10877012	FLAT WASHER 1/4
13	PT10877013	SPINDLE BRACKET
14	PT10877014	BEARING PLATE
15	PT10877015	PHLP HD SCR M6-1 X 12
16	PT10877016	MOUNTING PLATE
17	PT10877017	PHLP HD SCR M5-.8 X 10

REF	PART #	DESCRIPTION
18	PT10877018	CLEAN-OUT CRANK HANDLE
19	PT10877019	HEX BOLT M6-1 X 16
20	PT10877020	CRANK HANDLE M10-1.5 X 14, 98L
21	PT10877021	LOCK NUT M10-1.5
22	PT10877022	COLLECTION BAG 22-3/4" X 30"
23	PT10877023	BAG CLAMP
24	PT10877024	FLANGE SCREW 1/4-20 X 3/4
25	PT10877025	HEX BOLT 5/16-18 X 2
26	PT10877026	FLAT WASHER 5/16
27	PT10877027	HEX NUT 5/16-18
28	PT10877028	HEX NUT M5-.8
29	PT10877029	GASKET (RUBBER)
30	PT10877030	PHLP HD SCR M5-.8 X 8
31	PT10877031	FLANGE SEAL (FOAM)
32	PT10877032	FILTER SEAL (FOAM)
33	PT10877033	WRENCH 10 X 12MM OPEN-ENDS
34	PT10877034	FLANGE GASKET (FOAM)

**Please Note:** We do our best to stock replacement parts whenever possible, but we cannot guarantee that all parts shown here are available for purchase. Call (800) 523-4777 or visit our online parts store at [www.grizzly.com](http://www.grizzly.com) to check for availability.



## Free Manuals Download Website

<http://myh66.com>

<http://usermanuals.us>

<http://www.somanuals.com>

<http://www.4manuals.cc>

<http://www.manual-lib.com>

<http://www.404manual.com>

<http://www.luxmanual.com>

<http://aubethermostatmanual.com>

Golf course search by state

<http://golfingnear.com>

Email search by domain

<http://emailbydomain.com>

Auto manuals search

<http://auto.somanuals.com>

TV manuals search

<http://tv.somanuals.com>