



MODEL H8366/H8367 JACK STANDS INSTRUCTION SHEET

⚠️ WARNING

To reduce the risk of death, serious personal injury or property damage when using these jack stands:

- **DO NOT** overload these jack stands beyond their rated capacities. The rated capacity is for a matched pair of jack stands with an evenly distributed, vertically applied load. Overloading may result in personal injury or property damage.
- Use caution when entering a vehicle supported by jack stands. Never allow others to enter a supported vehicle while anyone is working underneath.
- Only use these jack stands on a hard level surface capable of sustaining the load being supported.
- Only use the jack stands at appropriate points on the vehicle that can safely support the vehicle's weight.
- Always make sure that vehicle load points are centered in the saddle and that all four corners of the jack stand are firmly on the ground.
- Always apply the parking brake, and use wheel chocks against the tires to prevent accidental rolling.
- Keep as much of your body as possible out from underneath the vehicle when placing or removing the stands.
- Never modify, weld or alter these jack stands.
- Never release a jack stand when it is supporting a load.
- Only use these jack stands to support one end of a vehicle, not a side.

H8366 Specifications

Weight Capacity 2 Tons
Height Adjustment 10¼"–16¼"

H8367 Specifications

Weight Capacity 3 Tons
Height Adjustment 11½"–16¾"

Operation Instructions

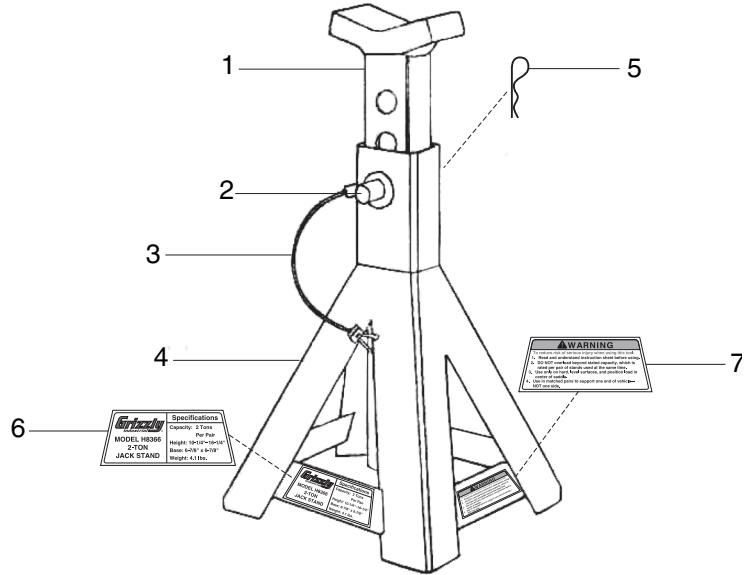
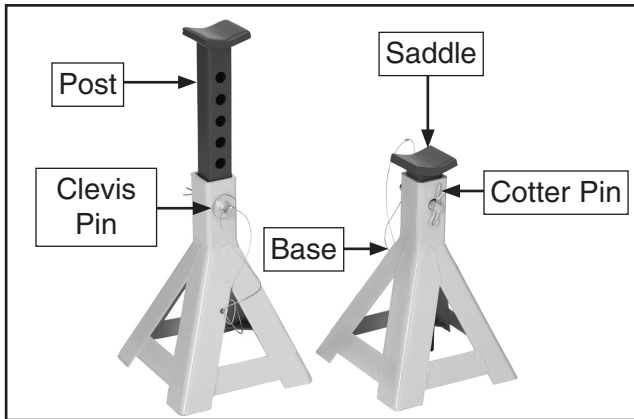
1. Before positioning the jack stands under the vehicle:
 - a. Make sure the engine is **OFF**.
 - b. Apply the vehicle's emergency brake.
 - c. Always block the tires to prevent the vehicle from rolling.
 - d. Set the transmission in PARK (automatic) or REVERSE (manual).
 - e. Raise the vehicle to the appropriate height with a proper capacity jack and ensure that it is stable.
2. Position the jack stands and extend the posts to the height of the axle, frame, or location that can support the weight of the vehicle; and secure the post with the clevis pin and hairpin cotter pin. Make sure that both jack stands are at an equal height and that the saddle is centered under the load points.
3. Slowly lower the vehicle onto the jack stands, making sure that the load points are still centered and all four corners of the stand bases are still on the ground.

To remove the jack stands, raise the vehicle with a proper capacity jack until the jack stands are clear of the vehicle and are able to be removed. Remove the jack stands while the vehicle is securely supported by the jack.

COPYRIGHT © DECEMBER, 2007 BY GRIZZLY INDUSTRIAL, INC. REVISED MARCH, 2008
**WARNING: NO PORTION OF THIS MANUAL MAY BE REPRODUCED IN ANY SHAPE
OR FORM WITHOUT THE WRITTEN APPROVAL OF GRIZZLY INDUSTRIAL, INC.**

#JM10213 PRINTED IN CHINA

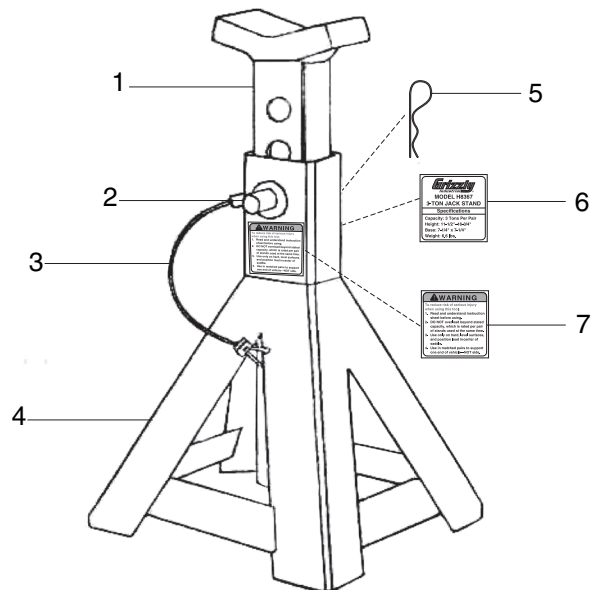
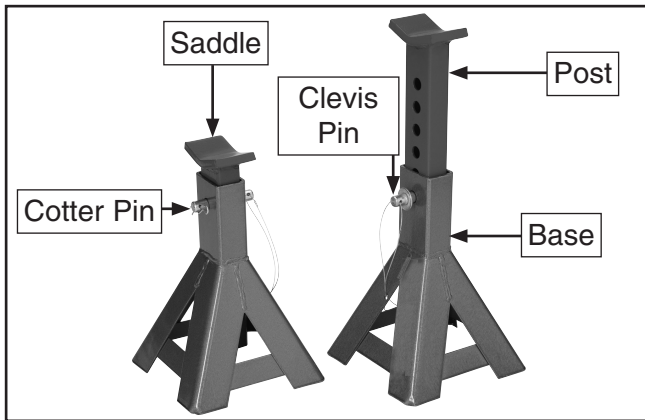
H8366 Parts Breakdown and Parts List



REF	PART #	DESCRIPTION
1	PH8366001	POST
2	PH8366002	CLEVIS PIN
3	PH8366003	WIRE
4	PH8366004	BASE

REF	PART #	DESCRIPTION
5	PH8366005	HAIRPIN COTTER PIN
6	PH8366006	ID LABEL
7	PH8366007	WARNING LABEL

H8367 Parts Breakdown and Parts List



REF	PART #	DESCRIPTION
1	PH8367001	POST
2	PH8367002	CLEVIS PIN
3	PH8367003	WIRE
4	PH8367004	BASE

REF	PART #	DESCRIPTION
5	PH8367005	HAIRPIN COTTER PIN
6	PH8367006	ID LABEL
7	PH8367007	WARNING LABEL

If you need help with your new jack stands, call our Tech Support at: (570) 546-9663.

Free Manuals Download Website

<http://myh66.com>

<http://usermanuals.us>

<http://www.somanuals.com>

<http://www.4manuals.cc>

<http://www.manual-lib.com>

<http://www.404manual.com>

<http://www.luxmanual.com>

<http://aubethermostatmanual.com>

Golf course search by state

<http://golfingnear.com>

Email search by domain

<http://emailbydomain.com>

Auto manuals search

<http://auto.somanuals.com>

TV manuals search

<http://tv.somanuals.com>