



MODEL H8092 3½ Ton Double Pump Garage Jack

Specifications

Maximum Lifting Capacity7000 lbs.
Lifting Range5¼"–19¾"
Weight84 lbs.

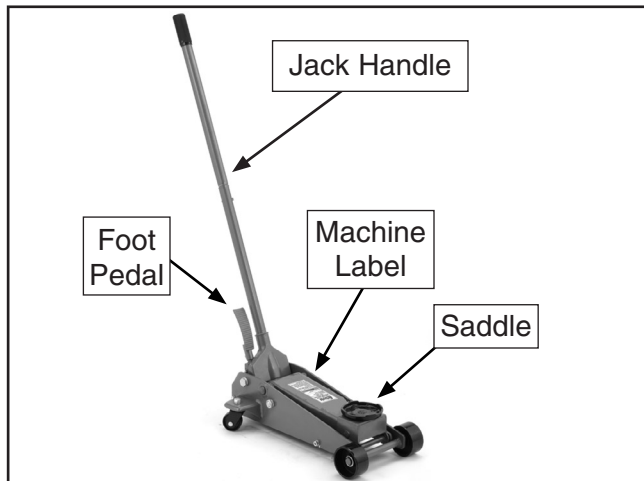


Figure 1. Model H8092 Identification.

Operation

To raise the saddle with the jack handle:

Turn the handle clockwise as far as it will turn and pump the handle up and down. Turning the handle clockwise will close the release valve (see Figure 2).

To raise the saddle with the foot pedal:

With the jack handle turned fully clockwise, push the foot pedal down and release it slowly. Each pump of the pedal will raise the saddle approximately two inches.

To lower the saddle:

Slowly turn the jack handle counterclockwise.

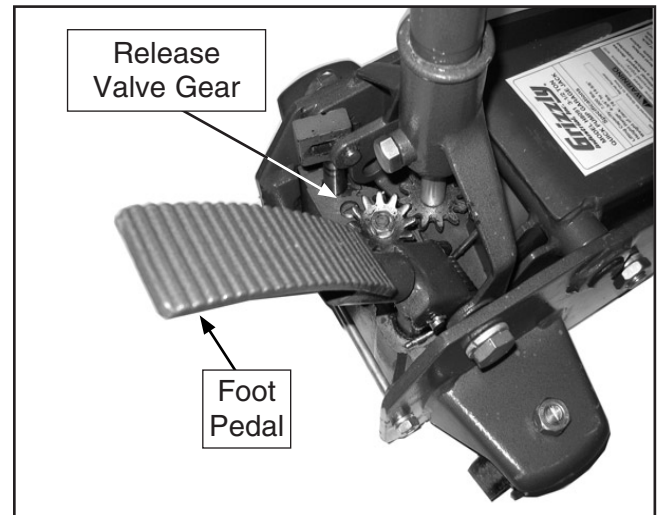


Figure 2. Pump pedal and release valve gear.

⚠ WARNING

Failure to follow these instructions could result in serious personal injury or death:

1. **DO NOT** overload this jack beyond its rated capacity. Overloading can cause the jack to collapse and drop the load.
2. **ALWAYS** support the vehicle with appropriately rated support stands before working under it.
3. **DO NOT** attempt to move the vehicle while the jack is in use.
4. Use only on hard level surfaces like concrete or asphalt. Other surfaces are potentially unstable.
5. Center the load on the jack to maintain proper balance and stability.
6. **DO NOT** use jack if it begins leaking fluid or if it sinks when placed under load. These are indications that the jack needs to be immediately serviced.

If you need help with the Model H8092, call our Technical Support line at: (570) 546-9663.

COPYRIGHT © DECEMBER, 2006 BY GRIZZLY INDUSTRIAL, INC.
WARNING: NO PORTION OF THIS MANUAL MAY BE REPRODUCED IN ANY SHAPE OR FORM WITHOUT THE WRITTEN APPROVAL OF GRIZZLY INDUSTRIAL, INC.
#JC8823 PRINTED IN CHINA

Maintenance

Keep the hydraulic rams clean and free of any dust, dirt, or foreign debris. Abrasive material stuck to the ram can damage the hydraulic seal when the ram is retracted back into the jack. Regularly wipe the hydraulic rams clean with a lightly oiled rag.

The Model H8092 will require hydraulic fluid after long-term use. This will be noticeable if the jack will not reach its maximum height when pumped. Only use a high quality hydraulic fluid.

To add hydraulic fluid:

1. Completely lower the jack.
2. Remove the fill plug shown in **Figure 3**.

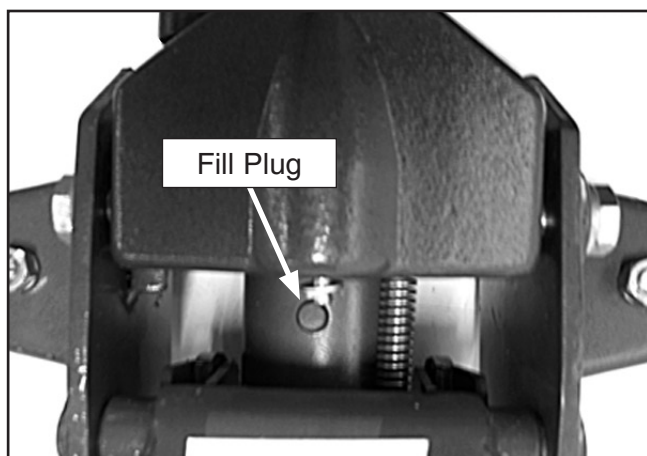


Figure 3. Fill plug.

3. Add fluid until it reaches the top of the fill plug hole.
4. Replace the fill plug.
5. Test the operation of the jack by pumping it up to the maximum height and applying a load to the saddle. The jack should hold the weight of the load without a sinking or spongy feeling.

—If the jack did not perform properly, then air may need to be bled from the pump system.

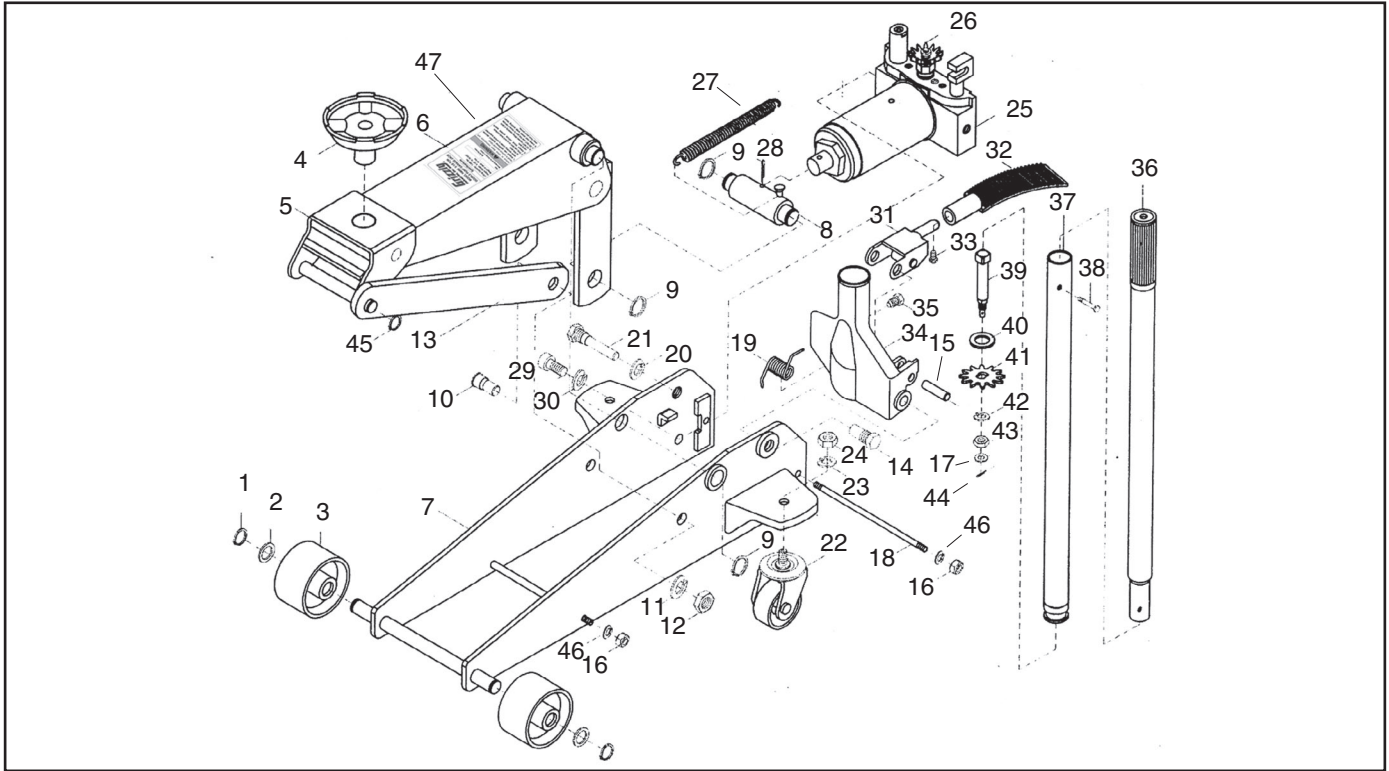
Bleeding the Air

If the jack becomes spongy or will not rise when pumped, then air bubbles may be in the hydraulic system. These air bubbles must be 'bled' from the hydraulic fluid before the jack can be safely operated.

To remove the air bubbles:

1. Remove the fill plug.
2. Rotate the handle counterclockwise until it stops.
3. Pump the jack handle rapidly to force the air bubbles out through the fill hole. When the air bubbles and fluid stop coming out, put the fill plug back.
4. Repeat **Step 3** as many times as needed until the air bubbles stop coming out in the hydraulic fluid.

H8092 Main Parts Breakdown



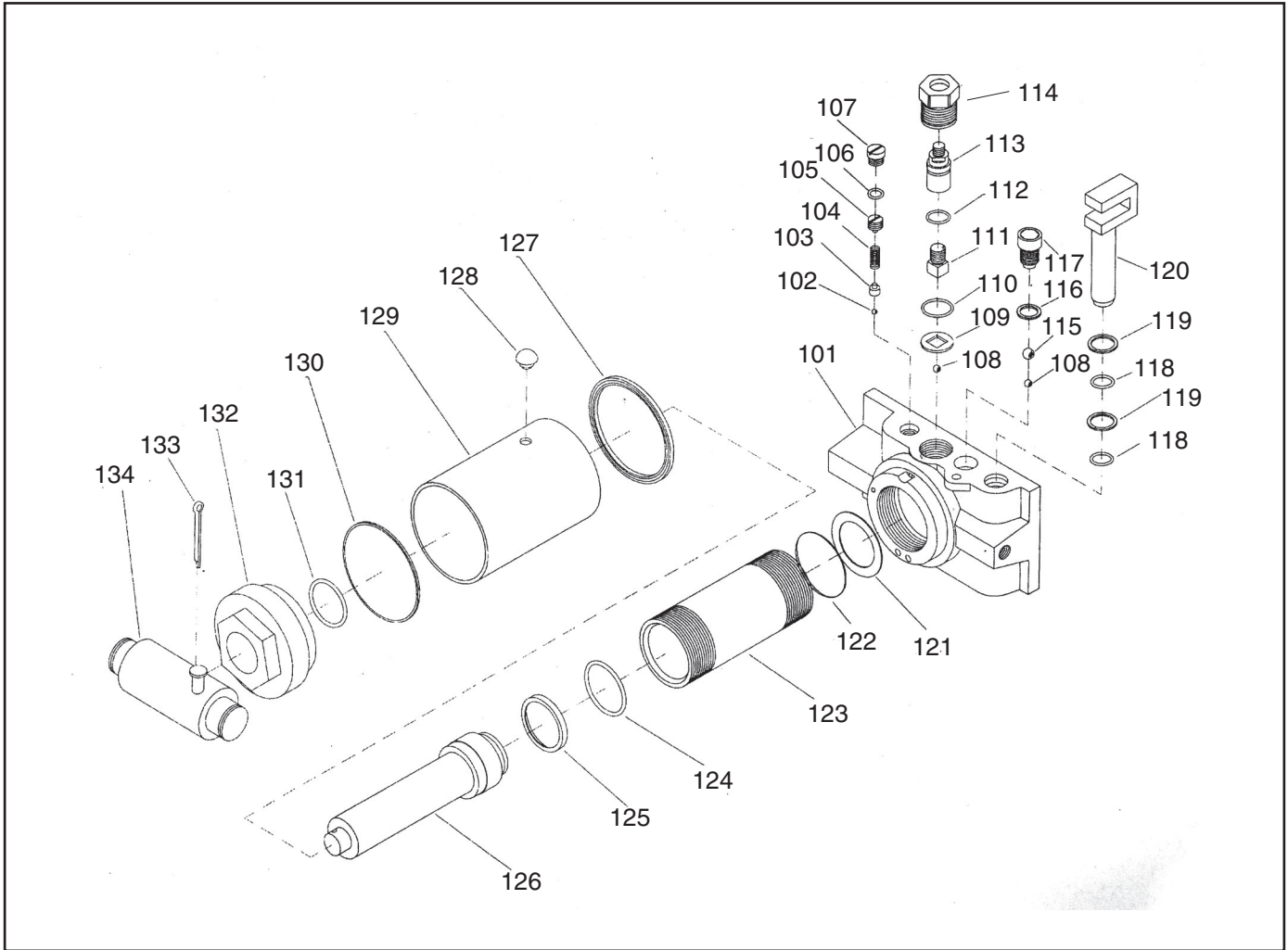
REF	PART #	DESCRIPTION
1	PR09M	EXT RETAINING RING 20MM
2	PW13M	FLAT WASHER 20MM
3	PH8092003	FRONT WHEEL
4	PH8092004	SADDLE
5	PH8092005	SADDLE BASE
6	PH8092006	LIFTING ARM
7	PH8092007	SIDE FRAME
8	PH8092008	LINKING BLOCK
9	PR11M	EXT RETAINING RING 25MM
10	PH8092010	LINKING BOLT
11	PLW10M	LOCK WASHER 16MM
12	PH8092012	HEX NUT M16-1.75
13	PH8092013	LIFTING ARM AXIS
14	PH8092014	HANDLE SOCKET BOLT
15	PH8092015	PUMP CORE PIN
16	PN03M	HEX NUT M8-1.25
17	PW01M	FLAT WASHER 8MM
18	PH8092018	LINKING SHAFT
19	PH8092019	TORSION SPRING
20	PLW12M	LOCK WASHER 18MM
21	PH8092021	HANDLE LINKING BOLT
22	PH8092022	REAR WHEEL ASSEMBLY
23	PLW05M	LOCK WASHER 12MM
24	PN09M	HEX NUT M12-1.75

REF	PART #	DESCRIPTION
25	PH8092025	CYLINDER ASSEMBLY
26	PH8092026	RELEASE VALVE GEAR
27	PH8092027	PULL SPRING
28	PH8092028	COTTER PIN 4 X 47MM
29	PB25M	HEX BOLT M12-1.75 X 25
30	PLW05M	LOCK WASHER 12MM
31	PH8092031	PEDAL BASE
32	PH8092032	FOOT PEDAL
33	PB04M	HEX BOLT M6-1 X 10
34	PH8092034	HANDLE SOCKET
35	PH8092035	HANDLE SOCKET SCREW
36	PH8092036	UPPER HANDLE
37	PH8092037	LOWER HANDLE
38	PB52M	HEX BOLT M6-1 X 35
39	PH8092039	RATCHET AXLE
40	PW08M	FLAT WASHER 16MM
41	PH8092041	GEAR
42	PH8092042	LOCK WASHER 10M
43	PH8092043	HEX NUT M10- 1.5
44	PH8092044	COTTER PIN 2MM X 12MM
45	PR06M	EXT RETAINING RING 16MM
46	PH8092046	LOCK WASHER 8MM
47	PH8092047	MACHINE LABEL

⚠️ WARNING

The machine label warns about hazards and ways to prevent injury. The owner of the jack **MUST** maintain the original location and readability of the label. If the label is removed or becomes unreadable, contact Grizzly at (800) 523-4777 or www.grizzly.com to order a new label.

H8092 Hydraulic Pump Parts Breakdown



REF	PART #	DESCRIPTION
101	PH8092101	BASE
102	PH8092102	STEEL BALL
103	PH8092103	BALL HEAD
104	PH8092104	ADJUSTABLE SPRING
105	PH8092105	ADJUSTING SCREW
106	PH8092106	O-RING
107	PH8092107	SAFETY VALVE SCREW
108	PH8092108	STEEL BALL
109	PH8092109	LEAD WASHER
110	PH8092110	O-RING
111	PH8092111	PULL ROD
112	PH8092112	O-RING
113	PH8092113	RELEASE VALVE SHAFT
114	PH8092114	RELEASE VALVE BASE
115	PH8092115	STEEL BALL
116	PH8092116	SEAL WASHER
117	PH8092117	SPECIAL HEX SCREW

REF	PART #	DESCRIPTION
118	PH8092118	O-RING
119	PH8092119	SNAP RING
120	PH8092120	PUMP CORE
121	PH8092121	CYLINDER WASHER
122	PH8092122	RECTANGLE RING
123	PH8092123	CYLINDER
124	PH8092124	O-RING
125	PH8092125	RETAINING RING
126	PH8092126	PISTON ROD ASSEMBLY
127	PH8092127	O-RING
128	PH8092128	FILL PLUG
129	PH8092129	OIL TANK
130	PH8092130	RETAINING RING
131	PH8092131	O-RING
132	PH8092132	TOP CAP
133	PH8092133	COTTER PIN
134	PH8092134	BLOCK LINKAGE

Free Manuals Download Website

<http://myh66.com>

<http://usermanuals.us>

<http://www.somanuals.com>

<http://www.4manuals.cc>

<http://www.manual-lib.com>

<http://www.404manual.com>

<http://www.luxmanual.com>

<http://aubethermostatmanual.com>

Golf course search by state

<http://golfingnear.com>

Email search by domain

<http://emailbydomain.com>

Auto manuals search

<http://auto.somanuals.com>

TV manuals search

<http://tv.somanuals.com>