

NOTE:
Please read all instructions
carefully before using this
product

Table of Content

Safety Notice

Hardware Identifier

Assembly Instruction

Parts List

Warranty

Ordering Parts

Model
SB 660

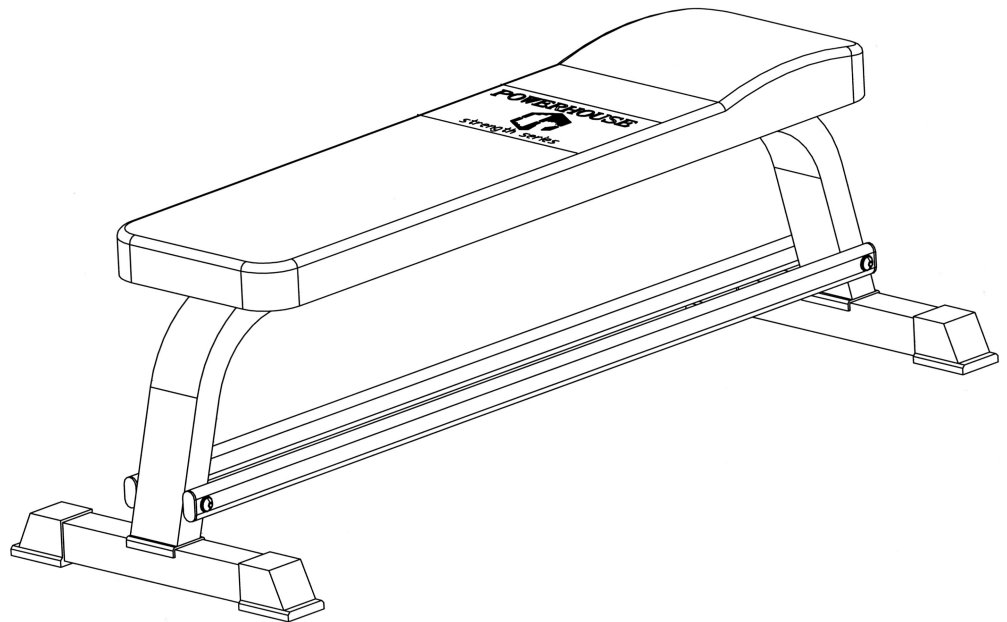
Retain This
Manual for
Reference

06-09-03

OWNER'S
MANUAL

IMPEx
FITNESS PRODUCTS

**POWERHOUSE
FLAT BENCH
SB 660**



IMPEx FITNESS PRODUCTS

14777 DON JULIAN RD., CITY OF INDUSTRY, CA 91746

Tel: (800) 999-8899 Fax: (626) 961-9966

www.impex-fitness.com

info@impex-fitness.com

TABLE OF CONTENTS

BEFORE YOU BEGIN.....	1
IMPORTANT SAFETY NOTICES.....	2
HARDWARE PACK.....	3
ASSEMBLY INSTRUCTIONS.....	4
EXPLODED DIAGRAM.....	4
PARTS LIST.....	5
WARRANTY.....	6
ORDERING PARTS.....	6

BEFORE YOU BEGIN

Thank you for selecting the POWERHOUSE SB 660 Flat Bench by IMPEX FITNESS PRODUCTS. For your safety and benefit, read this manual carefully before using the machine. As a manufacturer, we are committed to provide you complete customer satisfaction. If you have any questions, or find there are missing or damaged parts, we guarantee you complete satisfaction through direct assistance from our factory. To avoid unnecessary delays, *please call our TOLL-FREE customer service number*. Our Customer Service Agents will provide immediate assistance to you.

Toll-Free Customer Service Number

1-800-999-8899

Mon. - Fri. 9 a.m. - 5 p.m. PST

www.impex-fitness.com

info@impex-fitness.com

IMPORTANT SAFETY NOTICE

PRECAUTIONS

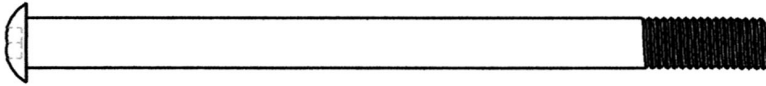
This exercise machine is built for optimum safety. However, certain precautions apply whenever you operate a piece of exercise equipment. Be sure to read the entire manual before you assemble or operate your machine. In particular, note the following safety precautions:

1. **Keep children and pets away from the machine at all times. DO NOT leave children unattended in the same room with the machine.**
2. Only one person at a time should use the machine.
3. If the user experiences dizziness, nausea, chest pain, or any other abnormal symptoms, STOP the workout at once. CONSULT A PHYSICIAN IMMEDIATELY.
4. Position the machine on a clear, leveled surface. DO NOT use the machine near water or outdoors.
5. Keep hands away from all moving parts.
6. Always wear appropriate workout clothing when exercising. DO NOT wear robes or other clothing that could become caught in the machine. Running or aerobic shoes are also required when using the machine.
7. Use the machine only for its intended use as described in this manual. DO NOT use attachments not recommended by the manufacturer.
8. Do not place any sharp object around the machine.
9. Disabled person should not use the machine without a qualified person or physician in attendance.
10. Before using the machine to exercise, always do stretching exercises to properly warm up.
11. Never operate the machine if the machine is not functioning properly.

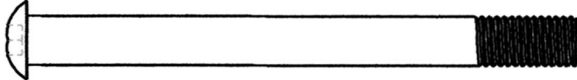
WARNING: BEFORE BEGINNING ANY EXERCISE PROGRAM, CONSULT YOUR PHYSICIAN. THIS IS ESPECIALLY IMPORTANT FOR INDIVIDUALS OVER THE AGE OF 35 OR PERSONS WITH PRE-EXISTING HEALTH PROBLEMS. READ ALL INSTRUCTIONS BEFORE USING ANY FITNESS EQUIPMENT. IMPEX INC. ASSUMES NO RESPONSIBILITY FOR PERSONAL INJURY OR PROPERTY DAMAGE SUSTAINED BY OR THROUGH THE USE OF THIS PRODUCT.

SAVE THESE INSTRUCTIONS.

HARDWARE PACK



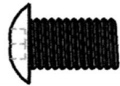
#9 M10 x 5 1/4" Allen Bolt (Qty 2)



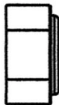
#10 M10 x 4" Alen Bolt (Qty 3)



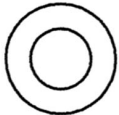
#11 M8 x 3/4" Allen Bolt (Qty 6)



#8 M10 x 5/8" Allen Bolt (Qty 4)



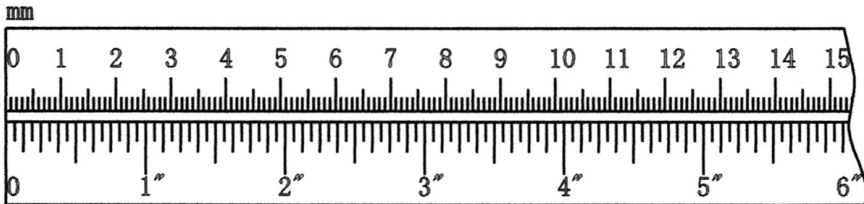
#12 M10 Aircraft Nut (Qty 5)



#13 Ø 3/4" Washer (Qty 14)



#14 Ø 5/8" Washer (Qty 6)



ASSEMBLY INSTRUCTION

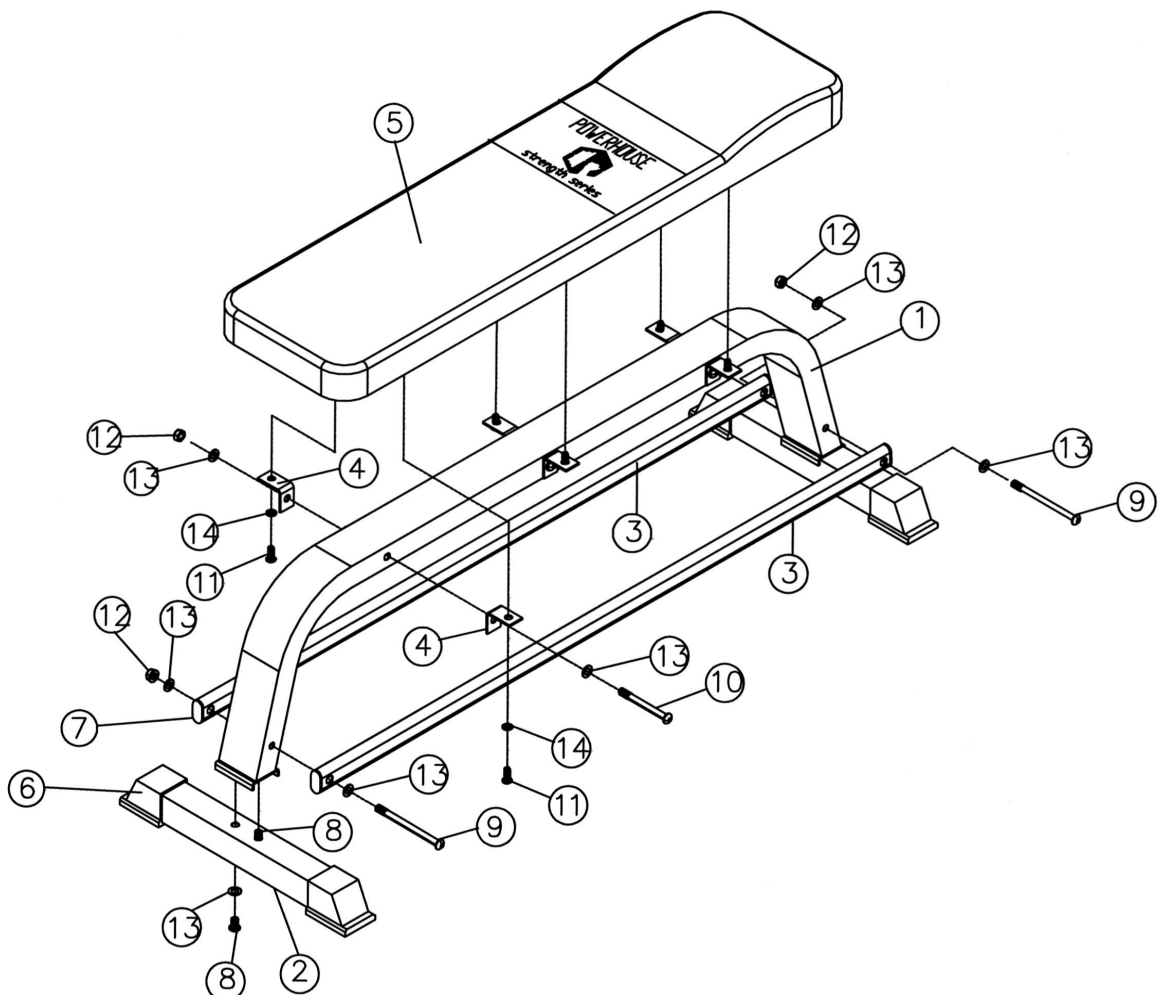
Tools Required Assembling the Machine: One Adjustable Wrench and Allen Wrench

NOTE: It is strongly recommended two or more people assembling the machine to avoid possible injury.

STEP 1 (See Explode Diagram)

- A.) Attach each end of the Main Frame (#1) onto the Stabilizers (#2). Secure each end with two M10 x 5/8" Allen Bolts (#8) and $\text{\O} \frac{3}{4}$ " Washers (#13) from the bottom of the Stabilizers.
- B.) Attach the Dumbbell Frames (#3) to both sides of the Main Frame (#1). Align the holes and secure them with two M10 x 5 1/4" Allen Bolts (#9), four $\text{\O} \frac{3}{4}$ " Washers (#13), and two M10 Aircraft Nuts (#12).
- C.) Attach two L-shaped Brackets (#4) to the holes on the Main Frame (#1). Secure the Brackets with one M10 x 4" Allen Bolt (#10), two $\text{\O} \frac{3}{4}$ " Washers (#13), and one M10 Aircraft Nut (#12). Repeat the same procedure to install the other brackets. Do not tighten the brackets yet.
- D.) Place the Seat Pad (#5) onto the Main Frame. Align the holes to the Brackets. Secure it with six M8 x 3/4" Allen Bolts (#11) and $\text{\O} \frac{5}{8}$ " Washers (#14). Secure all Nuts and Bolts previously installed.

EXPLODED DIAGRAM



Parts list

<u>KEY NO.</u>	<u>DESCRIPTION</u>	<u>Q'ty</u>
1	Main Frame	1
2	Stabilizer	2
3	Dumbbell Frame	2
4	L-shaped Bracket	6
5	Seat Pad	1
6	Stabilizer End Cap	4
7	Dumbbell Frame End Cap	4
8	M10 x 5/8" Allen Bolt	4
9	M10 x 5 1/4" Allen Bolt	2
10	M10 x 4" Allen Bolt	3
11	M8 x 3/4" Allen Bolt	6
12	M10 Aircraft Nut	5
13	Ø 3/4" Washer	14
14	Ø 5/8" Washer	6

IMPEX INC.

LIMITED WARRANTY

IMPEX Inc. ("IMPEX") warrants this product to be free from defects in workmanship and material, under normal use and service conditions, for a period of two years on the Frame from the date of purchase. This warranty extends only to the original purchaser. IMPEX's obligation under this Warranty is limited to replacing or repairing, at IMPEX's option.

All returns must be pre-authorized by IMPEX. Pre-authorization may be obtained by calling IMPEX Customer Service Department at 1-800-999-8899. All freights on products returned to IMPEX must be prepaid by the customer. This warranty does not extend to any product or damage to a product caused by or attributable to freight damage, abuse, misuse, improper or abnormal usage or repairs not provided by an IMPEX authorized service center or for products used for commercial or rental purposes. No other warranty beyond that specifically set forth above is authorized by IMPEX.

IMPEX is not responsible or liable for indirect, special or consequential damages arising out of or in connection with the use or performance of the product or other damages with respect to any economic loss, loss of property, loss of revenues or profits, loss of enjoyments or use, costs of removal, installation or other consequential damages or whatsoever natures. Some states do not allow the exclusion or limitation of incidental or consequential damages. Accordingly, the above limitation may not apply to you.

The warranty extended hereunder is in lieu of any and all other warranties and any implied warranties of merchantability or fitness for a particular purpose is limited in its scope and duration to the terms set forth herein. Some states do not allow limitations on how long an implied warranty lasts. Accordingly, the above limitation may not apply to you.

This warranty gives you specific legal right. You may also have other rights which vary from state to state.

**IMPEX INC.
14777 Don Julian
City of Industry, CA 91746**

ORDERING REPLACEMENT PARTS

Replacement parts can be ordered by calling our Customer Service Department toll-free at **1-800-999-8899** during our regular business hours: Monday through Friday, 9 am until 5 pm Pacific standard time.

**www.impex-fitness.com
info@impex-fitness.com**

When ordering replacement parts, always give the following information.

1. Model
2. Description of Parts
3. Part Number
4. Date of Purchase

Free Manuals Download Website

<http://myh66.com>

<http://usermanuals.us>

<http://www.somanuals.com>

<http://www.4manuals.cc>

<http://www.manual-lib.com>

<http://www.404manual.com>

<http://www.luxmanual.com>

<http://aubethermostatmanual.com>

Golf course search by state

<http://golfingnear.com>

Email search by domain

<http://emailbydomain.com>

Auto manuals search

<http://auto.somanuals.com>

TV manuals search

<http://tv.somanuals.com>