

Ice-O-Matic[®]

SERVICE PARTS MANUAL

GEM0650A/W/R, GEM0956A/W/R and GEM1256A/W/R
GEM0655 Air



Ice-O-Matic
11100 East 45th Ave
Denver, Colorado 80239
Part Number 9081350-03

Date 10/08

This parts list contains the service parts available for the GEM Series icemakers listed below:

GEM0655-Air Cooled

GEM0650-Air Cooled, Water Cooled and Remote

GEM0956-Air Cooled, Water Cooled and Remote

GEM1256-Air Cooled, Water Cooled and Remote

Check the model number on the data plate and refer to the correct listing for the specific component.

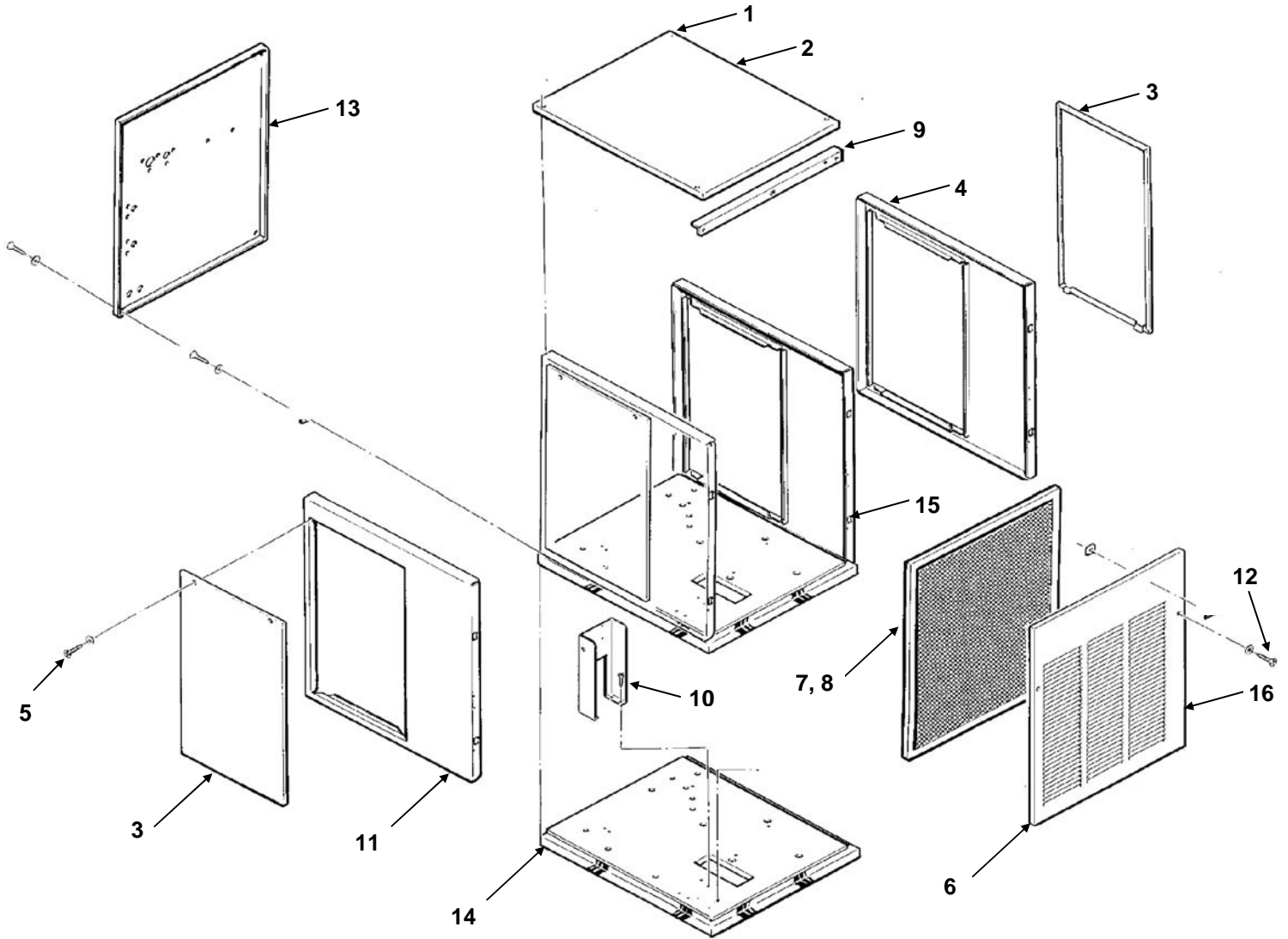
Check carefully that the correct part is identified and ordered.

Table of Contents	Page 1
Cabinet Assembly	Page 2 - 3
Air Cooled	Page 4
Water Cooled	Page 5
Remote	Page 6
Down Chute/Water System	Page 7
Gearmotor	Page 8
Evaporator	Page 9
Control Box	Page 10
Remote Condenser	Page 11

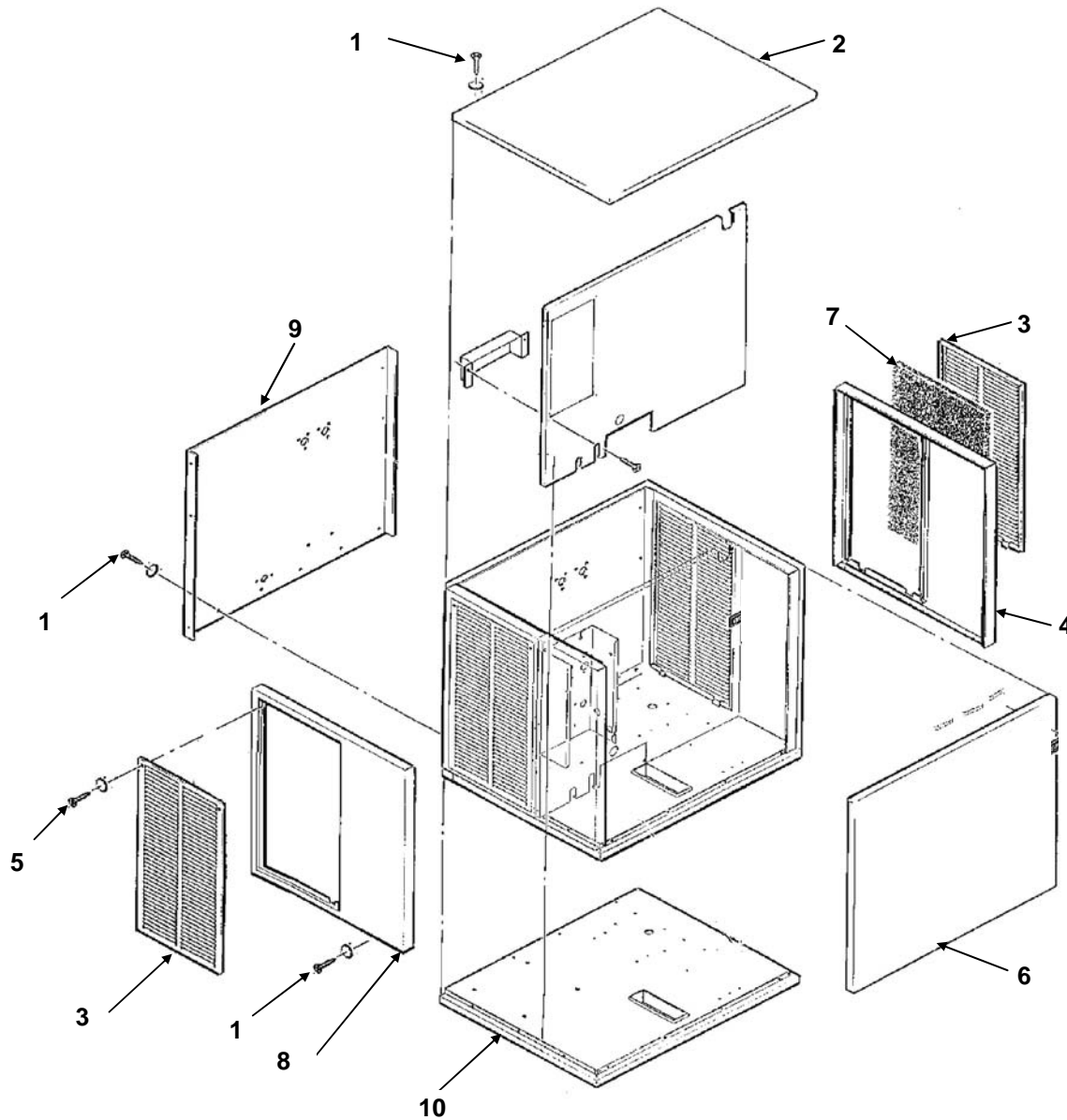
The GEM Series Service Manuals are available separately:

GEM Air Cooled and Water Cooled	9081350-01
GEM Remote	9081350-02

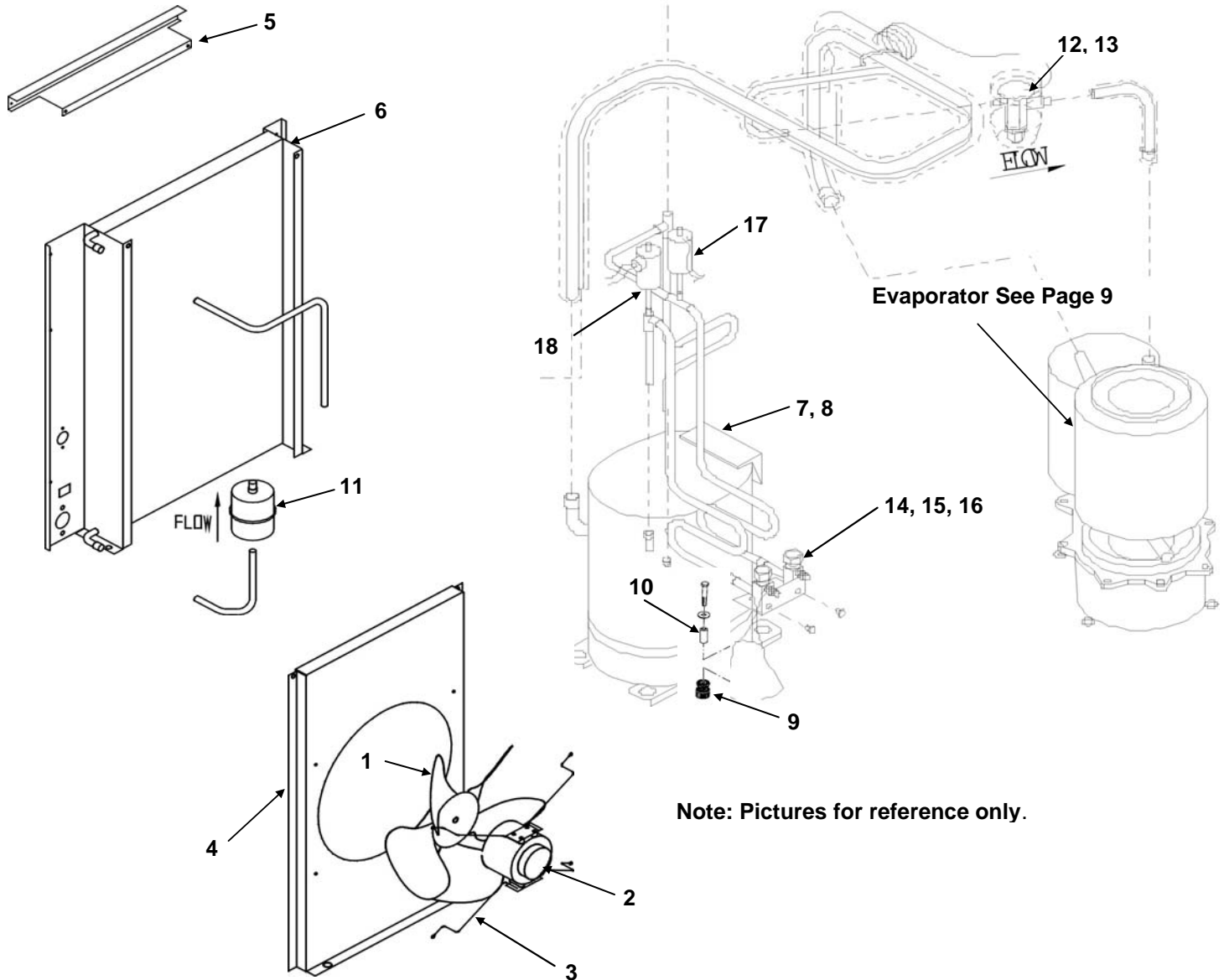
Ice-O-Matic
11100 East 45th Ave.
Denver Co. 80239
800-423-3367



Item No.	Model Number			Description
	GEM0655	GEM0650	GEM0956	
1	1011339-70	1011339-70	1011339-70	Top Panel Screw
2	1011380-192	1011380-192	1011380-192	Top Panel
3	1011380-196	1011380-196	1011380-196	Non-Louvered Side Panel
4	1011380-193	1011380-193	1011380-193	Right Side Frame Panel
5	1011351-34	1011351-34	1011351-34	Screw
6	1011380-191	1011380-191	1011380-191	Front Louvered Panel
7	1011380-09	1011380-09	1011380-09	Air Filter
8	NLA	NLA	NLA	Filter Clip
9	1011380-200	1011380-200	1011380-200	Front Brace
10	1011380-197	1011380-197	1011380-197	Control Box Support
11	1011380-167	1011380-167	1011380-167	Left Side Frame Panel
12	1011380-42	1011380-42	1011380-42	Screw
13	1011380-213	1011380-213	1011380-213	Rear Panel (Water Cooled Only)
14	1011380-211	1011380-211	1011380-211	Base
15	1011380-01	1011380-01	1011380-01	Catch (On Frame Panel)
16	1011380-88	1011380-88	1011380-88	Strike (On Front Panel)

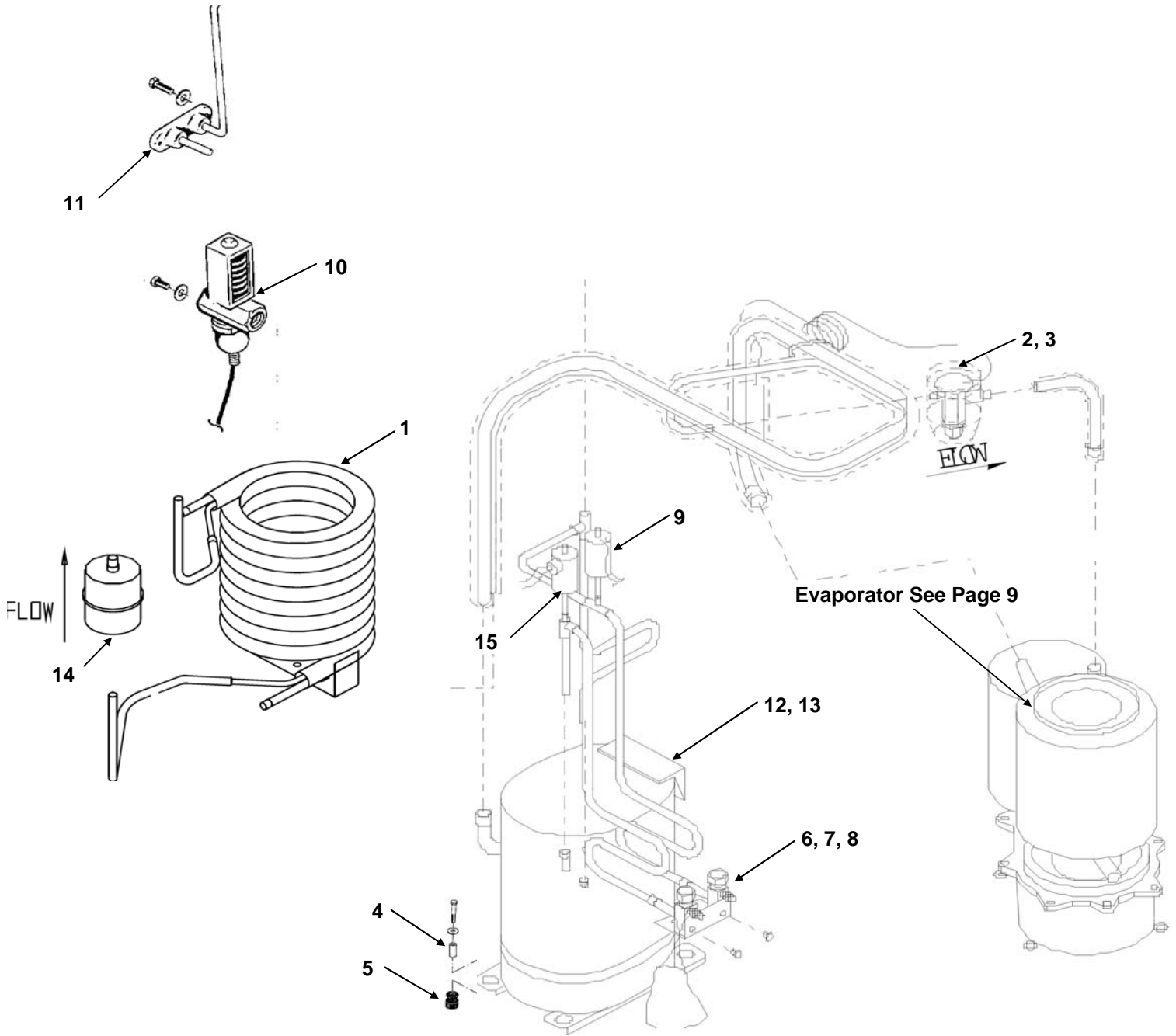


Item No.	Model Number			Description
	GEM0650	GEM0956	GEM1256	
1	N/A	N/A	1011339-70	Screw
2	N/A	N/A	1011380-151	Top Panel
3	N/A	N/A	1011380-194	Louvered Side Panel
4	N/A	N/A	1011380-153	Right Side Frame Panel
5	N/A	N/A	1011351-34	Screw
6	N/A	N/A	1011380-152	Front Panel
7	N/A	N/A	1011380-183	Air Filter
8	N/A	N/A	1011380-154	Left Side Frame Panel
9	N/A	N/A	1011380-155	Rear Panel-Remote
	N/A	N/A	1011380-156	Rear Panel-Air or Water Cooled
10	N/A	N/A	1011380-214	Base

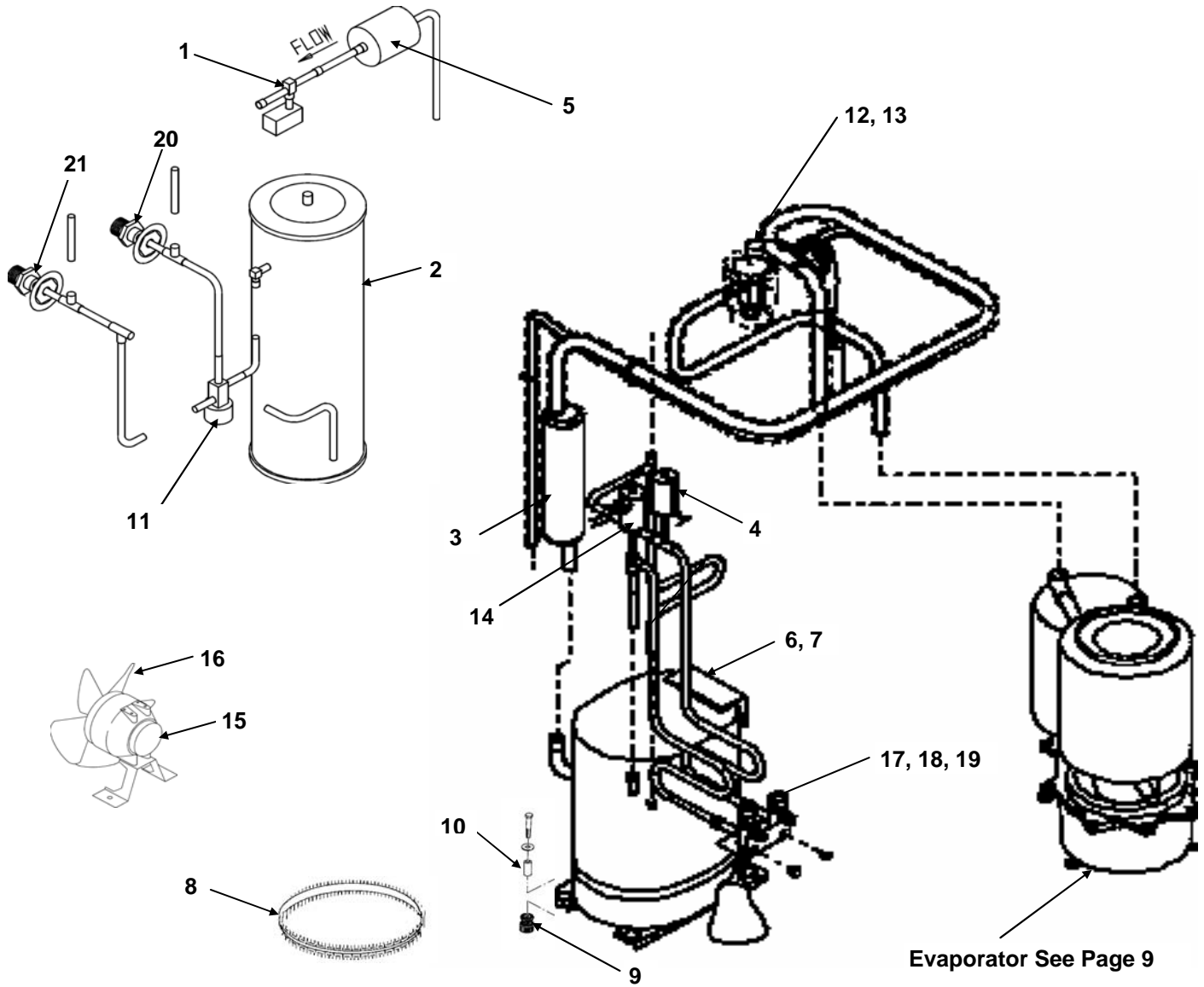


Note: Pictures for reference only.

Item No.	Model Number				Description
	GEM0655	GEM0650	GEM0956	GEM1256	
1	1011380-136	1011380-136	1011380-121	1011380-120	Fan Blade
2	1011380-135	1011380-134	1011380-58	1011380-122	Fan Motor
3	1011380-228	1011380-228	1011380-04	1011380-20	Fan Bracket
4	1011380-210	1011380-210	1011380-190	1011380-207	Fan Shroud
5	1011380-206	1011380-206	1011380-206	N/A	Fan Shroud Cover
6	1011380-133	1011380-133	1011380-126	1011380-132	Air Condenser
7	1011380-129	1011380-128	1011380-137	1011380-131	Compressor
8	1011380-130	1011380-125	Internal	Internal	Compressor Overload
9	1011380-117	1011380-117	1011380-117	1011380-117	Compressor Grommet
10	1011380-115	1011380-115	1011380-115	1011380-115	Compressor Grommet Sleeve
11	1011380-18	1011380-18	1011380-18	1011380-18	Drier
12	1011380-177	1011380-177	1011380-177	1011380-177	Expansion Valve Insulation Kit
13	1011380-51	1011380-51	1011380-51	1011380-50	Expansion Valve
14	1011380-94	1011380-94	1011380-94	1011380-94	Service Valve Body
15	1011380-95	1011380-95	1011380-95	1011380-95	Service Valve Core
16	1011380-96	1011380-96	1011380-96	1011380-96	Service Valve Cap
17	1011380-52	1011380-52	1011380-52	1011380-52	Hi Pressure Cut Out
18	1011380-53	1011380-53	1011380-53	1011380-53	Low Pressure Cut Out

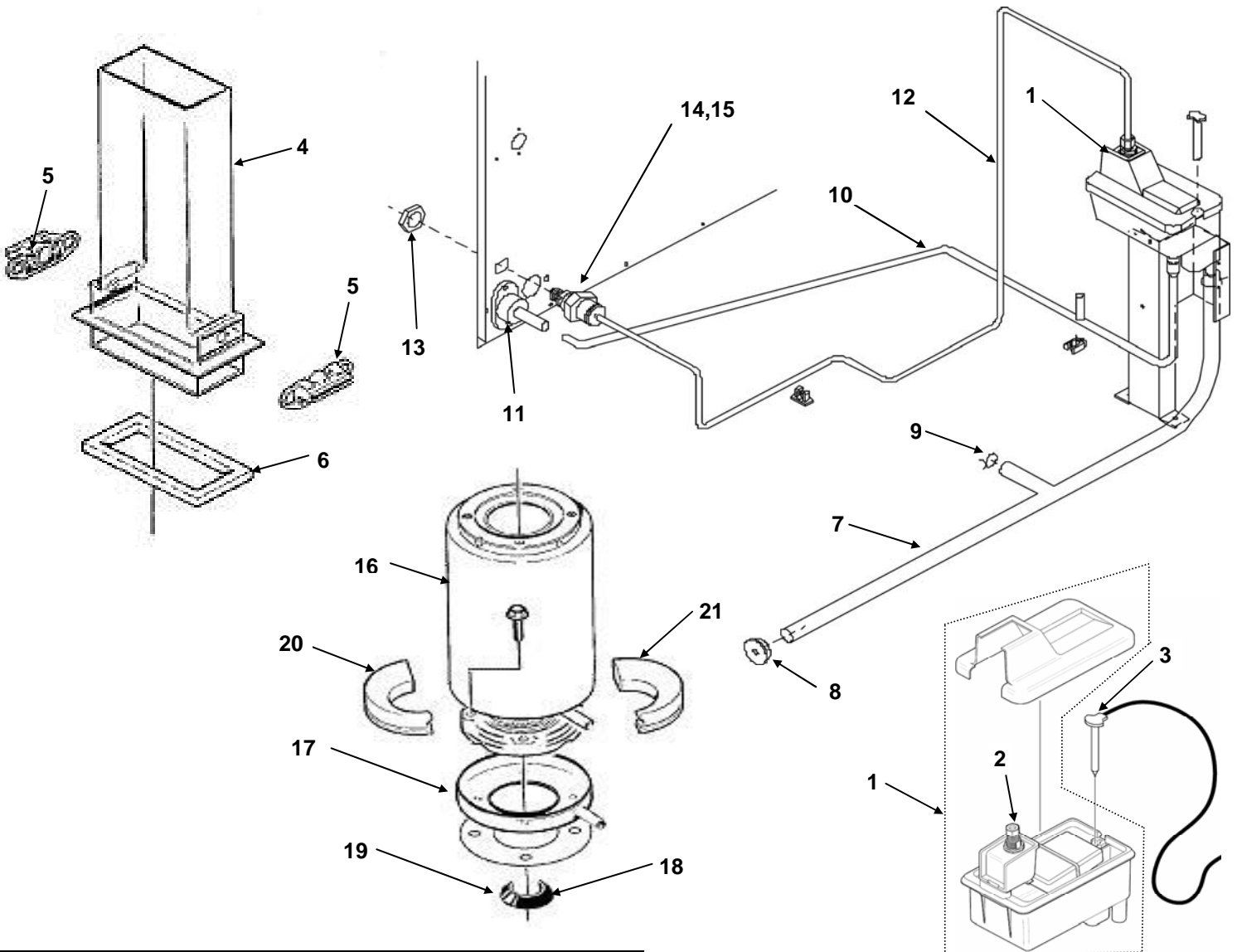


Item No.	Model Number			Description
	GEM0650	GEM0956	GEM1256	
1	1011380-144	1011380-145	1011380-146	Water Cooled Condenser
2	1011380-51	1011380-51	1011380-51	Expansion Valve
3	1011380-177	1011380-177	1011380-177	Expansion Valve Insulation Kit
4	1011380-115	1011380-115	1011380-115	Compressor Grommet Sleeve
5	1011380-117	1011380-117	1011380-117	Grommet
6	1011380-94	1011380-94	1011380-94	Service Valve Body
7	1011380-95	1011380-95	1011380-95	Service Valve Core
8	1011380-96	1011380-96	1011380-96	Service Valve Cap
9	1011380-52	1011380-52	1011380-52	High Pressure Cut Out
10	1011380-49	1011380-49	1011380-49	Water Regulating Valve
11	1011380-149	1011380-201	1011380-201	Drain Assembly
12	1011380-128	1011380-137	1011380-131	Compressor
13	1011380-125	Internal	Internal	Compressor Overload
14	1011380-18	1011380-18	1011380-18	Drier
15	1011380-53	1011380-53	1011380-53	Low Pressure Cut Out

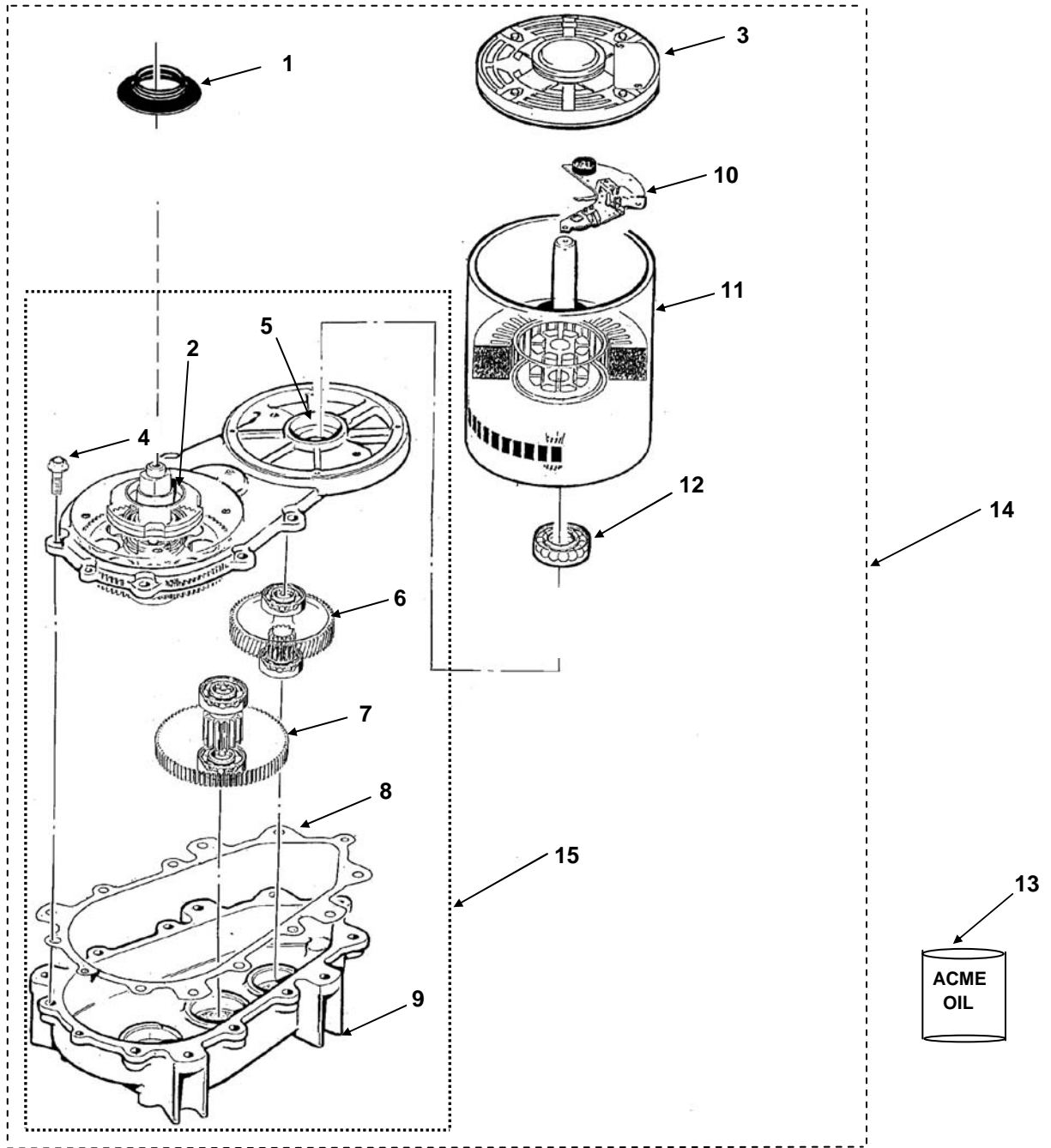


Evaporator See Page 9

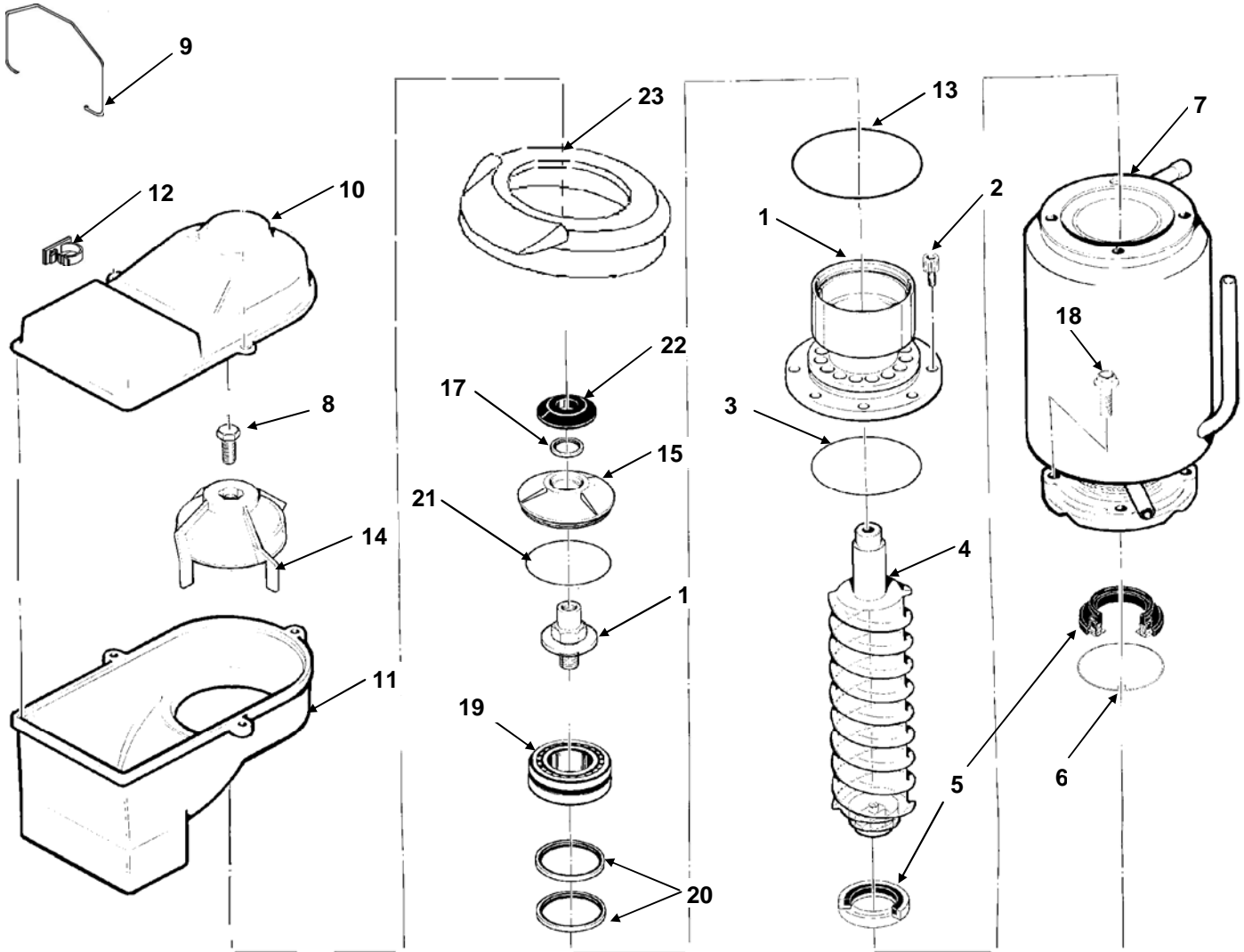
Item No.	Model Number			Description
	GEM0650	GEM0956	GEM1256	
1	1011380-61	1011380-63	1011380-62	Liquid Line Solenoid
2	1011380-92	1011380-92	1011380-92	Receiver
3	N/A	1011380-31	N/A	Accumulator
4	1011380-52	1011380-52	1011380-52	High Pressure Cut Out
5	1011380-18	1011380-18	1011380-18	Drier
6	1011380-128	1011380-137	1011380-131	Compressor
7	1011380-125	Internal	Internal	Compressor Overload
8	1011380-60	1011380-59	1011380-59	Crankcase Heater-External
9	1011380-117	1011380-117	1011380-117	Grommet
10	1011380-115	1011380-115	1011380-115	Compressor Grommet Sleeve
11	1011380-47	1011380-47	1011380-47	Low Ambient Control
12	1011380-51	1011380-51	1011380-50	Expansion Valve
13	1011380-177	1011380-177	1011380-177	Expansion Valve Insulation Kit
14	1011380-53	1011380-53	1011380-53	Pump Down Control
15	1011380-57	1011380-58	N/A	Fan Motor
16	1011380-124	1011380-124	N/A	Fan Blade
17	1011380-94	1011380-94	1011380-94	Service Valve Body
18	1011380-95	1011380-95	1011380-95	Service Valve Core
19	1011380-96	1011380-96	1011380-96	Service Valve Cap
20	1011380-98	1011380-98	1011380-98	Quick Connect Fitting 3/8 Inch
21	1011380-97	1011380-97	1011380-97	Quick Connect Fitting 1/2 Inch



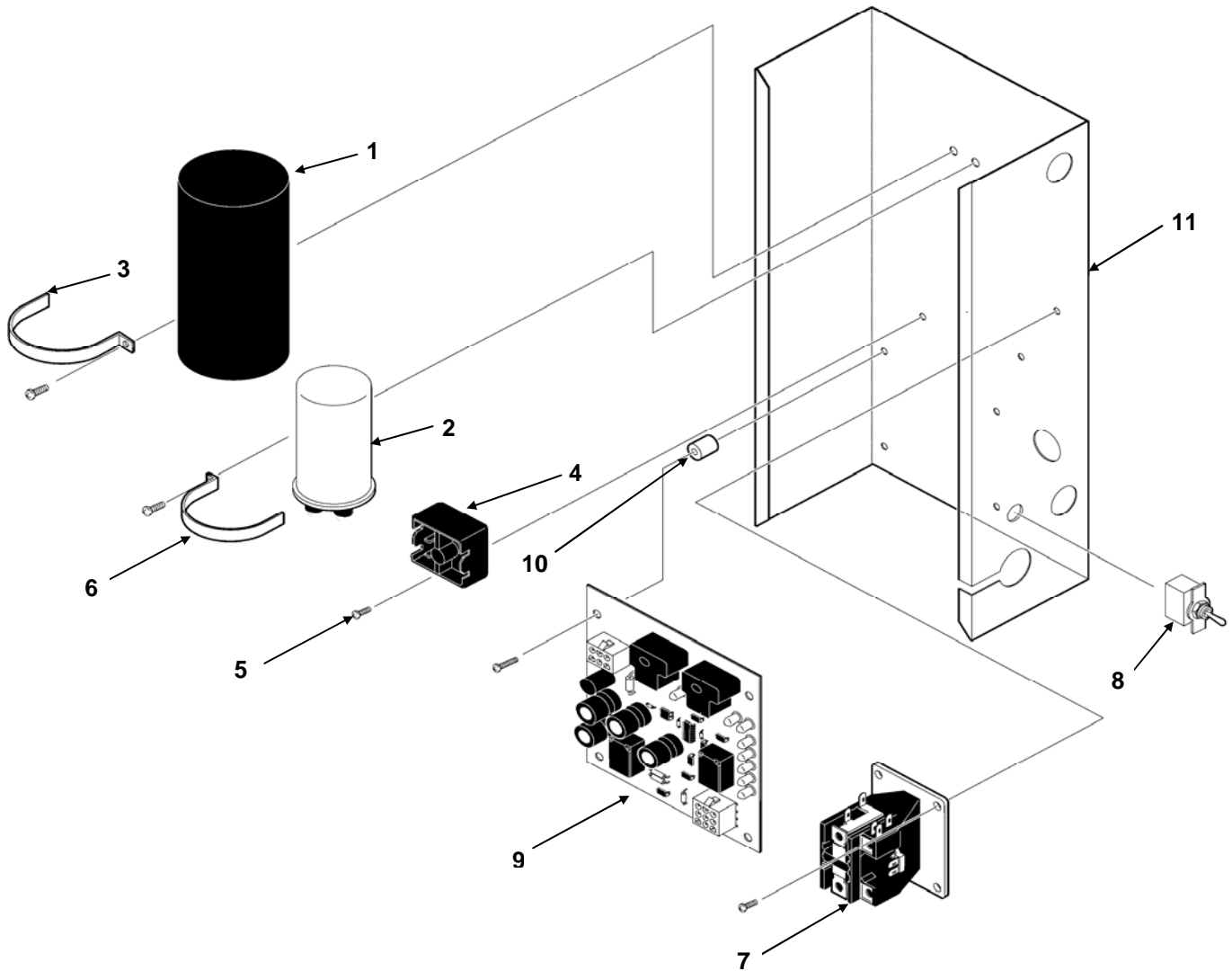
Item No.	Model Number				Description
	GEM0655	GEM0650	GEM0956	GEM1256	
1	1011380-15	1011380-15	1011380-15	1011380-15	Float Assembly (Does Not Include Sensor)
2	1011380-16	1011380-16	1011380-16	1011380-16	Float Valve Only
3	1011380-78	1011380-78	1011380-78	1011380-78	Water Level Sensor
4	1011380-06	1011380-06	1011380-07	1011380-07	Ice Chute Lower
5	1011380-223	1011380-223	1011380-223	1011380-223	Bin Controls Assembly (Set of 2)
6	1011380-176	1011380-176	1011380-176	1011380-176	Chute Gasket
7	1011380-220	1011380-220	1011380-220	1011380-220	Evaporator Water Inlet Tube
8	1011380-84	1011380-84	1011380-84	1011380-84	Rubber Cap
9	1011380-03	1011380-03	1011380-03	1011380-03	Hose Clamp
10	1011380-25	1011380-25	1011380-25	1011380-26	Overflow Tube
11	1011380-23	1011380-23	1011380-23	1011380-23	Drain Fitting
12	1011351-71	1011351-71	1011351-71	1011351-71	Inlet Tubing (4 feet required)
13	1011351-31	1011351-31	1011351-31	1011351-31	Pal Nut
14	1011351-74	1011351-74	1011351-74	1011351-74	Water Inlet Fitting
15	1011351-75	1011351-75	1011351-75	1011351-75	Male Connector
16	1011380-185	1011380-185	1011380-185	1011380-185	Evaporator
17	1011380-27	1011380-27	1011380-27	1011380-27	Drip Pan
18	1011380-83	1011380-83	1011380-83	1011380-83	Drip Pan Gasket
19	1011380-85	1011380-85	1011380-85	1011380-85	Water Shed
20	1011380-178	1011380-178	1011380-178	1011380-178	Insulation Collar
21	1011380-179	1011380-179	1011380-179	1011380-179	Insulation Collar



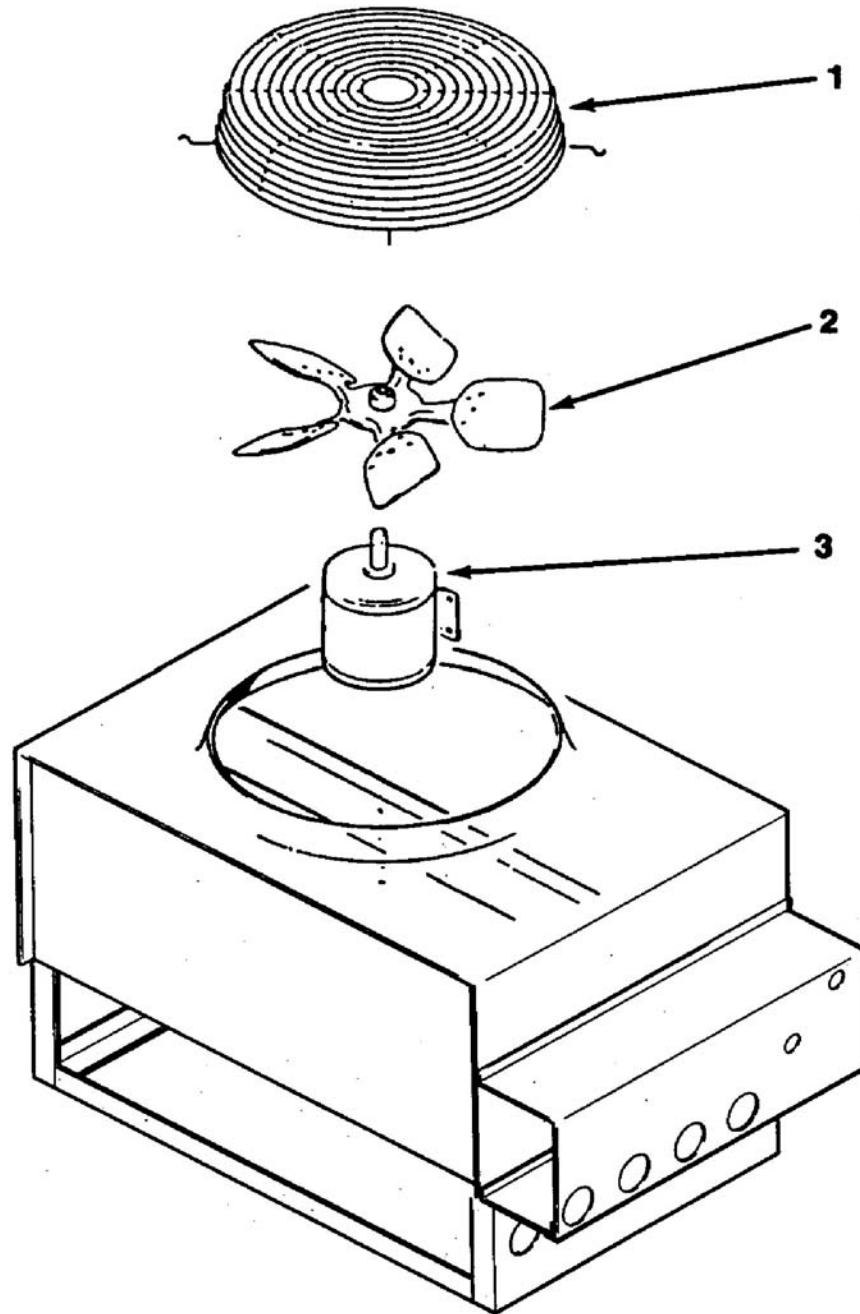
Item No.	Model Number				Description
	GEM0655	GEM0650	GEM0956	GEM1256	
1	1011380-85	1011380-85	1011380-85	1011380-85	Water Shed
2	1011380-164	1011380-164	1011380-164	1011380-164	Gearcase Output Shaft Seal
3	N/A	N/A	N/A	N/A	End Bell
4	1011380-162	1011380-162	1011380-162	1011380-162	Bolt
5	1011380-159	1011380-159	1011380-159	1011380-159	Gearcase Cover (Cover, Shaft, Key, Gear and Bearing)
6	1011380-161	1011380-161	1011380-161	1011380-161	1st Gear and Bearings
7	1011380-160	1011380-160	1011380-160	1011380-160	2nd Gear and Bearings
8	1011380-158	1011380-158	1011380-158	1011380-158	Gasket
9	1011380-157	1011380-157	1011380-157	1011380-157	Gearcase
10	1011380-77	1011380-72	1011380-72	1011380-72	Start Switch-GE
11	1011380-69	1011380-67	1011380-68	1011380-68	Drive Motor
12	1011380-73	1011380-73	1011380-73	1011380-73	Rotor Bearing-GE
13	1011380-163	1011380-163	1011380-163	1011380-163	Oil
14	1011380-188	1011380-186	1011380-187	1011380-187	Complete Assembly
15	1011380-189	1011380-189	1011380-189	1011380-189	Gear Case Kit, No Motor



Item No.	Model Number				Description
	GEM0655	GEM0650	GEM0956	GEM1256	
1	1011380-175	1011380-175	1011380-175	1011380-175	Breaker (Includes Item 15, 17, 19, 20 and 21)
2	1011380-44	1011380-44	1011380-44	1011380-44	Socket Head Screw
3	1011380-80	1011380-80	1011380-80	1011380-80	O-Ring
4	1011380-225	1011380-225	1011380-226	1011380-226	Auger
5	1011380-02	1011380-02	1011380-02	1011380-02	Water Seal
6	1011380-168	1011380-168	1011380-168	1011380-168	Ring, Water Seal
7	1011380-185	1011380-185	1011380-172	1011380-172	Evaporator (Excludes Interior Components)
8	1011380-38	1011380-38	1011380-38	1011380-38	Hex Cap Screw
9	1011380-203	1011380-203	1011380-203	1011380-203	Bail Clamp
10	1011380-08	1011380-08	1011380-08	1011380-08	Ice Chute Cover
11	1011380-28	1011380-28	1011380-28	1011380-28	Ice Chute Body with Insulation
12	1011380-17	1011380-17	1011380-17	1011380-17	Drain Hose Clip
13	1011380-81	1011380-81	1011380-81	1011380-81	O-Ring
14	1011380-12	1011380-12	1011380-12	1011380-12	Ice Sweep
15	1011380-13	1011380-13	1011380-13	1011380-13	Breaker Cover
16	1011380-46	1011380-46	1011380-46	1011380-46	Auger Stud
17	1011380-11	1011380-11	1011380-11	1011380-11	Lip Seal
18	1011380-37	1011380-37	1011380-37	1011380-37	Cap Screw
19	1011380-202	1011380-202	1011380-202	1011380-202	Bearing
20	1011380-10	1011380-10	1011380-10	1011380-10	Lip Seal
21	1011380-82	1011380-82	1011380-82	1011380-82	O-Ring
22	1011380-86	1011380-86	1011380-86	1011380-86	Water Shed
23	1011380-87	1011380-87	1011380-87	1011380-87	Insulation Collar



Item No.	Model Number				Description
	GEM0655	GEM0650	GEM0956	GEM1256	
1	1011380-104	1011380-102	1011380-106	1011380-103	Start Capacitor
2	1011380-107	1011380-108	1011380-108	1011380-110	Run Capacitor
3	1011351-83	1011351-83	1011351-83	1011380-195	Start Capacitor Bracket
4	1011380-114	1011380-112	1011380-111	1011380-111	Compressor Relay
5	1011339-73	1011339-73	1011339-73	1011339-73	Screw
6	1011380-217	1011380-217	1011380-217	1011380-171	Run Capacitor Bracket
7	1011380-74	1011380-75	1011380-74	1011380-74	Compressor Contactor
8	1011380-55	1011380-55	1011380-55	1011339-78	Selector Switch
9	1011380-79	1011380-79	1011380-79	1011380-79	Circuit Board
10	1011380-66	1011380-66	1011380-66	1011380-66	Control Board Standoff
11	N/A	N/A	N/A	N/A	Control Box
12	1011380-224	1011380-224	1011380-224	1011380-174	Control Box Cover-Not Shown



Item No.	Model Number			Description
	GRC1001	GRC1061	GRC2061	
1	1011380-21	1011380-21	1011380-21	Fan Shroud
2	1011380-143	1011380-143	1011380-143	Fan Blade
3	1011380-141	1011380-142	1011380-142	Fan Motor

GEM0650R GEM0956R GEM1256R

Free Manuals Download Website

<http://myh66.com>

<http://usermanuals.us>

<http://www.somanuals.com>

<http://www.4manuals.cc>

<http://www.manual-lib.com>

<http://www.404manual.com>

<http://www.luxmanual.com>

<http://aubethermostatmanual.com>

Golf course search by state

<http://golfingnear.com>

Email search by domain

<http://emailbydomain.com>

Auto manuals search

<http://auto.somanuals.com>

TV manuals search

<http://tv.somanuals.com>