



Pearl Ice™ Nugget Ice Maker - GEM0650



GEM0650 with B42

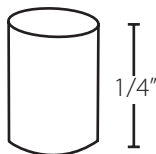
Features

- Produces up to 745 lbs (338 kg) of ice per day
- Pearl Ice™ soft, chewable ice crystals
- Cools beverages faster and longer while maintaining flavors better
- Decreased water and power usage compared to cube ice makers
- Improved customer satisfaction
- Rugged stainless steel evaporator and auger ensures reliability
- Industrial-grade roller bearings and heavy duty gearbox provide years of trouble free service

Options & Accessories

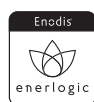
Dispenser Application Chart			
Dispenser Model	GEM0650	GEM0956	GEM1256
ICE-O-Matic IOD150	KBT15022 + KGEMDIV	KBT15022 + KGEMDIV	N/A
ICE-O-Matic IOD200 or IOD250	KBT25022 + KGEMDIV + KGEBIOD	KBT25022 + KGEMDIV + KGEBIOD	KBT25030 + KGEMDIV + KGEBIOD
Cornelius ED or DF150	KBT15022 + R629088514 (Cornelius)	KBT15022 + R629088514 (Cornelius)	N/A
Cornelius ED or DF200	KBT25022 + KGEM200	KBT25022 + KGEM200	KBT25030 + KGEM200
Cornelius ED or DF250	KBT25022 + KGEM250	KBT25022 + KGEM250	KBT25030 + KGEM250

ICE Form



Bin Chart

ICE Storage Bins					
Model No Capacity Width	B25 255 lbs 30 in.	B40 365 lbs 30 in.	B42 374 lbs 22 in.	B55 556 lbs 30 in.	B100 927 lbs 48 in.
ICE Maker GEM0650	KBT19	KBT19	KBT24	KBT 19	KBT23 / KBT 22
GEM0956	KBT19	KBT19	KBT24	KBT19	KBT23 / KBT 22
GEM1256	Kit not required	Kit not required	N/A	Kit not required	KBT23



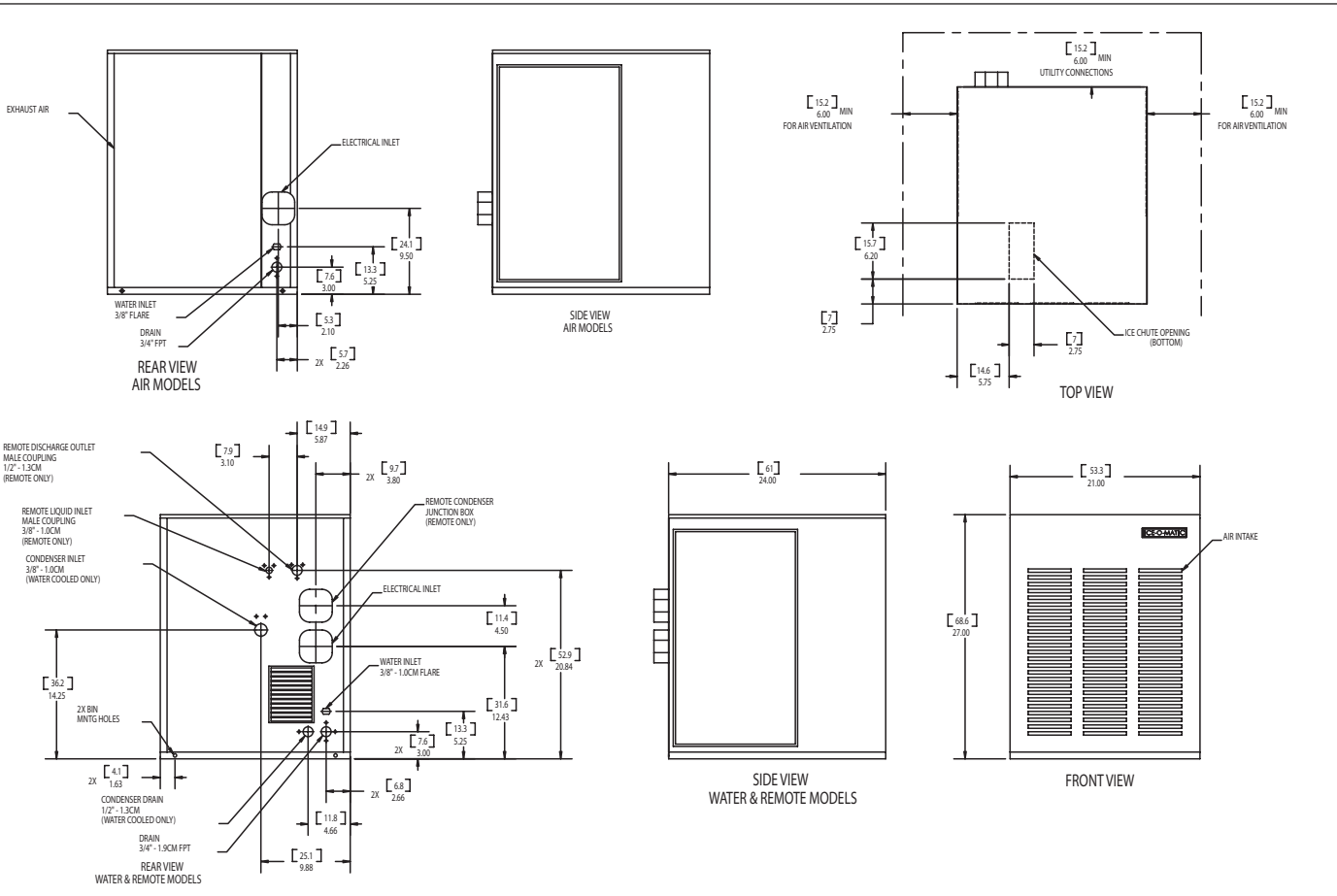
ICE-O-Matic
11100 E. 45th Avenue
Denver, CO 80239

Phone: 303.371.3737
Fax: 303.371.6296
www.iceomatic.com

Part: 7001
Rev: B-03/07

Enodis™

GEM0650 - 600 lb Nugget Ice Maker



Operating Requirements

	Minimum	Maximum
Ambient Temp. Range Air	50°F (10°C)	100°F (38°)
Water Temperature	40°F (4°C)	100°F (38°)
Remote Cond. Temps	-20°F (-29°C)	120°F (50°C)
Water Pressure	20 PSIG	120 PSIG

Dimensions and Weight

All Models	
H X W X D inches	21 x 24 x 27
H X W X D mm	533.4 x 609.6 x 685.8
BTUs per hour	5,600

Specifications

Model Number	Cond. Unit	Ice Production per 24hrs @ 70°F Air/50°F water lbs (kg)	Ice Production per 24hrs @ 90°F Air/70° water lbs (kg)	Water usage gallons per 100 lbs of ICE 90° F Air/70° F water		kWH used per 100 lbs of ICE @ 90°F Air/70° F water	Voltage Characteristics	Min. Circuit Ampacity	Shipping Weight lbs (kg)
				Potable	Condenser				
GEM0650A	Air	700 (318)	520 (236)	12	-	5.3	115/60/1	19.5	205 (93)
GEM0650W	Water	745 (338)	605 (274)	12	88.4	4.1	115/60/1	18.3	200 (91)
GEM0650R	Remote	615 (279)	560 (254)	12	-	6.2	115/60/1	22.5	220 (100)
GEM0655A	Air	700 (318)	520 (236)	12	-	4.4	230/50/1	10.1	205 (93)

Notes:

- Number of Wires = 3
- Max Fuse Size for Air/Water = 15
- Max Fuse Size for Remote = 20
- GRC1001-Remote Condenser for GEM0650

Free Manuals Download Website

<http://myh66.com>

<http://usermanuals.us>

<http://www.somanuals.com>

<http://www.4manuals.cc>

<http://www.manual-lib.com>

<http://www.404manual.com>

<http://www.luxmanual.com>

<http://aubethermostatmanual.com>

Golf course search by state

<http://golfingnear.com>

Email search by domain

<http://emailbydomain.com>

Auto manuals search

<http://auto.somanuals.com>

TV manuals search

<http://tv.somanuals.com>