



# Low Profile Transmission Jack MODEL H6236

The Model H6236 Transmission Jack (**Figure 1**) features a 1000 pound weight capacity, adjustable platform for precision placement and steel swivel casters for high maneuverability.

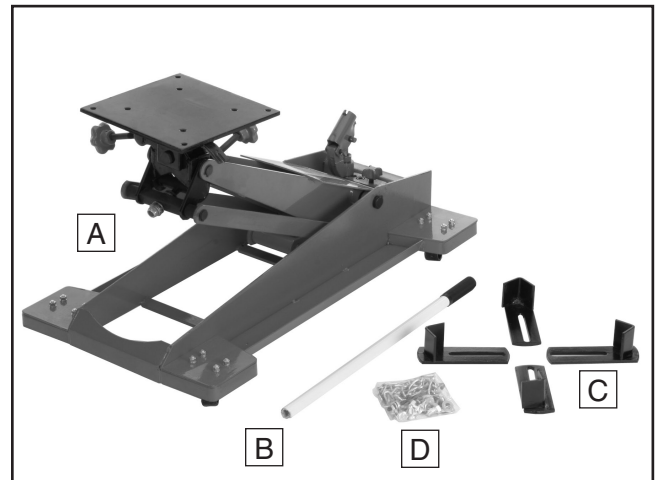
## Inventory (Figure 1)

A.	Jack Base.....	1
B.	Handle.....	1
C.	Adjustable Brackets.....	4
D.	Hardware Bag.....	1
	—Hex Bolts M10-1.25 x 16.....	8
	—Flat Washers 10mm.....	8
	—Chain Tensioning Hook.....	1
	—Flat Washers 6mm.....	2
	—Wing Nuts M6-1.....	2
	—Chain 4mm x 39 1/2".....	1

## Assembly & Operation

1. Attach the adjustable brackets to the platform with M10-1.25 bolts and 10mm flat washers.
2. Thread a M6-1 wing nut, wings up, followed by a 6mm flat washer to the chain tensioning hook.
3. Locate the tab with the center hole on the platform.
4. Slide the threads of the chain tensioning hook through the center hole and follow with 6mm flat washer and M6-1 wing nut.
5. When the platform has been raised to meet the workpiece, slide one end of the chain over the hook. Wrap the chain over the workpiece and fit the other end of the chain into the slotted tab on the opposite side of the platform.
6. Use the wing nuts on the chain tension hook to tension the chain. This will provide additional stability to the workpiece.
7. Turn the pump knob clockwise to close the valve.
8. Insert the handle into the pump socket and pump the handle to raise the platform.
9. Slowly turn the pump knob counterclockwise to lower the platform.

*If you need additional help with this procedure, call our service department at: (570) 546-9663.*



**Figure 1.** Model H6236.

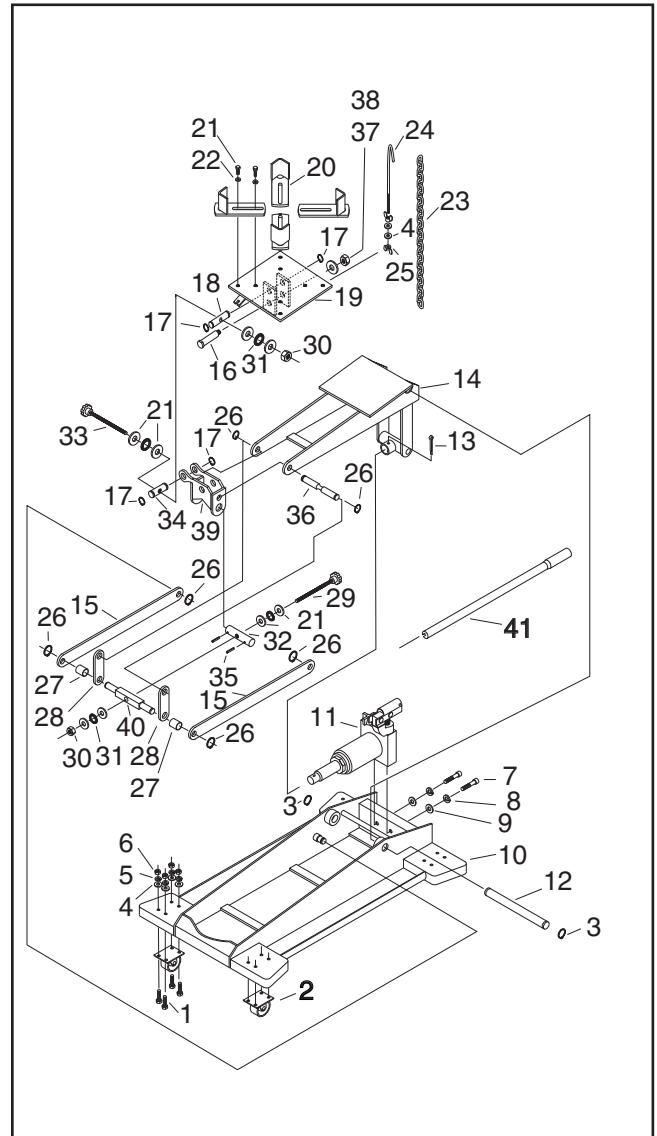
## **!**WARNING

This jack is designed for the assistance of transmission removal only. Failure to follow these warnings will result in serious personal injury or death:

1. DO NOT overload this jack beyond its rated capacity. Overloading can cause the jack to collapse and drop the load.
2. ALWAYS support the load with an appropriately rated support stand before working under the vehicle.
3. DO NOT attempt to move the vehicle while the jack is under it.
4. Use only on hard level surfaces like concrete or asphalt. Other surfaces are potentially unstable.
5. Center the load on the jack to maintain proper balance.

# H6236 Parts Breakdown and List

REF	PART #	DESCRIPTION
1	PB83M	HEX BOLT M6-1 X 16
2	PH6236002	SWIVEL CASTER
3	PR10M	EXT RETAINING RING 22MM
4	PW03M	FLAT WASHER 6MM
5	PLW03M	LOCK WASHER 6MM
6	PN01M	HEX NUT M6-1
7	PB03M	HEX BOLT M8-1 X 16
8	PLW04M	LOCK WASHER 8MM
9	PW01M	FLAT WASHER 8MM
10	PH6236010	BASE ASSEMBLY
11	PH6236011	HYDRAULIC PUMP UNIT
12	PH6236012	SHAFT
13	PH6236013	COTTER PIN 6MM X 45MM
14	PH6236014	LIFT ARM ASSEMBLY
15	PH6236015	CONNECTING ARM LONG
16	PH6236016	SHOULDER SCREW M12-1.5
17	PR07M	EXT RETAINING RING 18MM
18	PH6236018	PIVOT PIN
19	PH6236019	PLATFORM
20	PH6236020	ADJUSTABLE BRACKETS
21	PW04M	FLAT WASHER 10MM
22	PB70M	HEX BOLT M10-1.5 X 16
23	PH6236023	CLOSE CHAIN 4MM X 1M
24	PH6236024	CHAIN TENSIONING HOOK
25	PWN01M	WING NUT M6-1
26	PR06M	EXT RETAINING RING 16MM
27	PH6236027	SPACER
28	PH6236028	CONNECTING ARM SHORT
29	PH6236029	KNOB BOLT M10-1.5 X 230
30	PLN05M	LOCK NUT M10-1.5
31	PH6236031	SPECIAL BEARING
32	PH6236032	PIVOT PIN
33	PH6236033	KNOB BOLT M10-1.5 X 200
34	PH6236034	PIVOT PIN
35	PRP03M	ROLL PIN 5 X 20



REF	PART #	DESCRIPTION
36	PH6236036	PIVOT PIN
37	PW06M	FLAT WASHER 12MM
38	PN31M	HEX NUT M12-1.5
39	PH6236039	PLATFORM TILT BRACKET
40	PH6236040	PIVOT PIN
41	PH6236041	PUMP HANDLE

COPYRIGHT © AUGUST, 2004 BY GRIZZLY INDUSTRIAL, INC.  
**WARNING: NO PORTION OF THIS MANUAL MAY BE REPRODUCED IN ANY SHAPE OR FORM WITHOUT THE WRITTEN APPROVAL OF GRIZZLY INDUSTRIAL, INC.**  
 #PC6460 PRINTED IN CHINA

## Free Manuals Download Website

<http://myh66.com>

<http://usermanuals.us>

<http://www.somanuals.com>

<http://www.4manuals.cc>

<http://www.manual-lib.com>

<http://www.404manual.com>

<http://www.luxmanual.com>

<http://aubethermostatmanual.com>

Golf course search by state

<http://golfingnear.com>

Email search by domain

<http://emailbydomain.com>

Auto manuals search

<http://auto.somanuals.com>

TV manuals search

<http://tv.somanuals.com>