



# MODEL G8720 3½ TON HIGH LIFTING JACK INSTRUCTIONS

## **⚠️ WARNING**

To reduce the risk of serious injury when using this jack:

1. Only use this jack for lifting and do not exceed the design specifications.
2. DO NOT alter any part of this jack or use it for any purpose it was not designed for.
3. DO NOT lift vehicles with curved or tubular bumpers that will slip off the lifting nose. Always position the lifting nose under a flat, stable part of the vehicle that will safely handle the load.
4. Always stabilize and chock the load before positioning the jack underneath it.
5. Make sure the base of the jack is on a flat, solid surface that can hold the load and that will not allow the jack base to slip.
6. NEVER place any part of your body under a load lifted by this jack.
7. DO NOT push the load off the jack. Lower the load slowly and carefully and make sure all bystanders are clear of the load.
8. DO NOT use extension devices on the jack handle.

## Specifications

Max. Lifting Load..... 3½ U.S. Tons (7000 lbs.)  
Required Minimum Lifting Load ..... 110 lbs.  
Maximum Lifting Height..... 48"

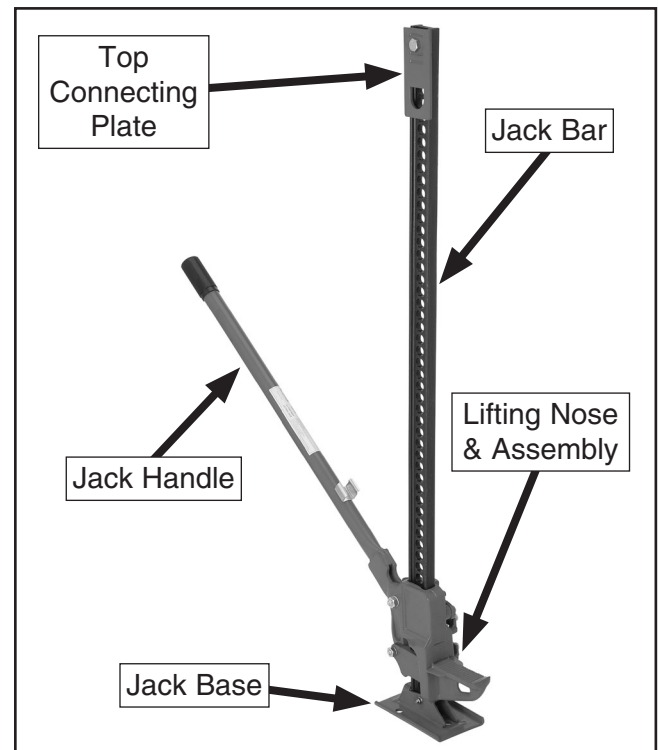


Figure 1. Model G8720 identification.

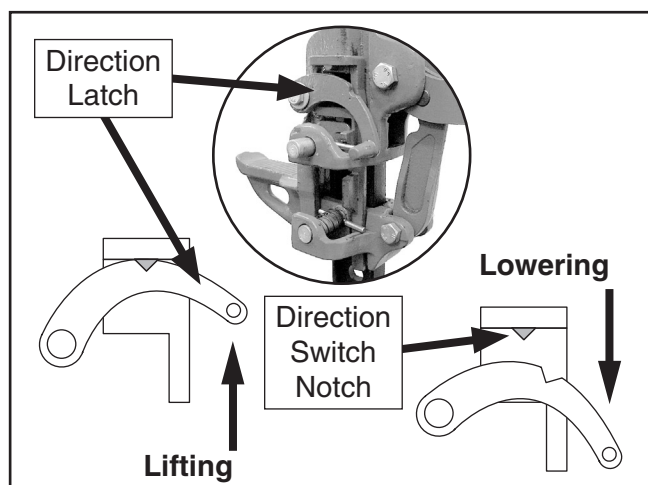
## Overview

The Model G8720 3-1/2 Ton High Lifting Jack is designed to lift a load higher than the typical automobile jack. The lifting assembly "walks" the lifting nose along the jack bar using two climbing pins that move in and out of the holes on the bar as the jack handle is raised and lowered.

COPYRIGHT © OCTOBER, 2008 BY GRIZZLY INDUSTRIAL, INC.  
**WARNING: NO PORTION OF THIS MANUAL MAY BE REPRODUCED IN ANY SHAPE OR FORM WITHOUT THE WRITTEN APPROVAL OF GRIZZLY INDUSTRIAL, INC.**  
#TS11148 PRINTED IN CHINA

## Raising a Load

1. Read and follow all warning instructions on **Page 1**.
2. Stabilize and chock the load.
3. Place the jack base directly under the intended contact point of the jack lifting nose and the load, with the jack bar straight up and down.
4. Raise the direction latch so that the indent is firmly engaged with the notch on the direction switch (see **Figure 2**).



**Figure 2.** Direction latch in the lifting and lowering positions.

5. Raise the nose until it meets the load contact point.
6. Pull the jack handle down firmly and evenly until the top climbing pins snaps into the hole on the jack bar, then raise the jack handle until the bottom climbing pin snaps into the next hole.
7. Repeat **Step 6** until you have raised the load to your satisfaction, then raise and clip the jack handle to the jack bar.

## **!WARNING**

If the jack binds, support the load with a jack or jack stands of equal or greater load capacity, then remove the Model G8720 jack and refer to **Page 3** for maintenance instructions.

## **!WARNING**

The jack must be supporting a load of at least 110 lbs. before the lowering procedure can be performed. Otherwise, the lifting nose and assembly could suddenly drop the load to the ground which could result in serious personal injury or property damage.

## Lowering a Load

1. Make sure the jack handle is in the upright position and clipped to the jack bar.
2. Push the direction latch down to disengage it from the notch on the direction switch.
3. Lower the handle until the bottom climbing pin engages a hole in the jack bar, then raise the handle until the top climbing pin engages the next hole.
4. Repeat **Step 3** until the load is completely lowered and the jack can be removed.

## **!WARNING**

Like all machinery there is potential danger when operating this jack. Accidents are frequently caused by lack of familiarity or failure to pay attention. Use this jack with respect and caution to decrease the risk of operator injury. If normal safety precautions are overlooked or ignored, serious personal injury may occur.



## **!WARNING**

To avoid serious personal injury or property damage if the jack should fail under load, **NEVER** operate the jack with worn or damaged parts. Always thoroughly inspect the jack before using it and perform regular maintenance as instructed in this document.

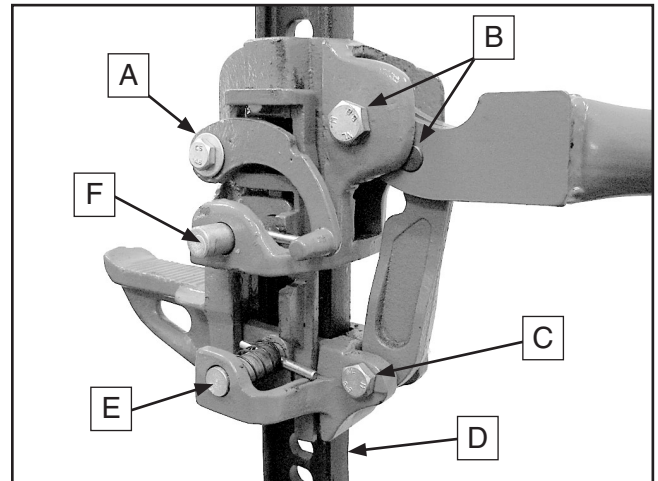
### **Maintenance**

The jack may bind if the holes in the jack bar are clogged or if the moving parts of the jack are dirty, rusty, or without lubrication. Always keep your jack in good condition and perform regular maintenance as described below to ensure safe and efficient operation.

### **Lubrication**

Use a non-flammable solvent to clean the entire jack, especially the holes along the entire length of the jack bar, then apply a small amount of white lithium grease to the moving parts referenced in **Figure 3** and the following descriptions.

**Note:** Motor oil or other types of grease will gather dirt and debris that will clog the moving parts of the jack.



**Figure 3.** Model G8720 lubrication points.

- A. Direction latch pivot bolt.
- B. Jack handle pivot bolt and pin.
- C. Shear bolt.
- D. Jack bar front and back edges.
- E. Bottom climbing pin and spring.
- F. Top climbing pin and spring.

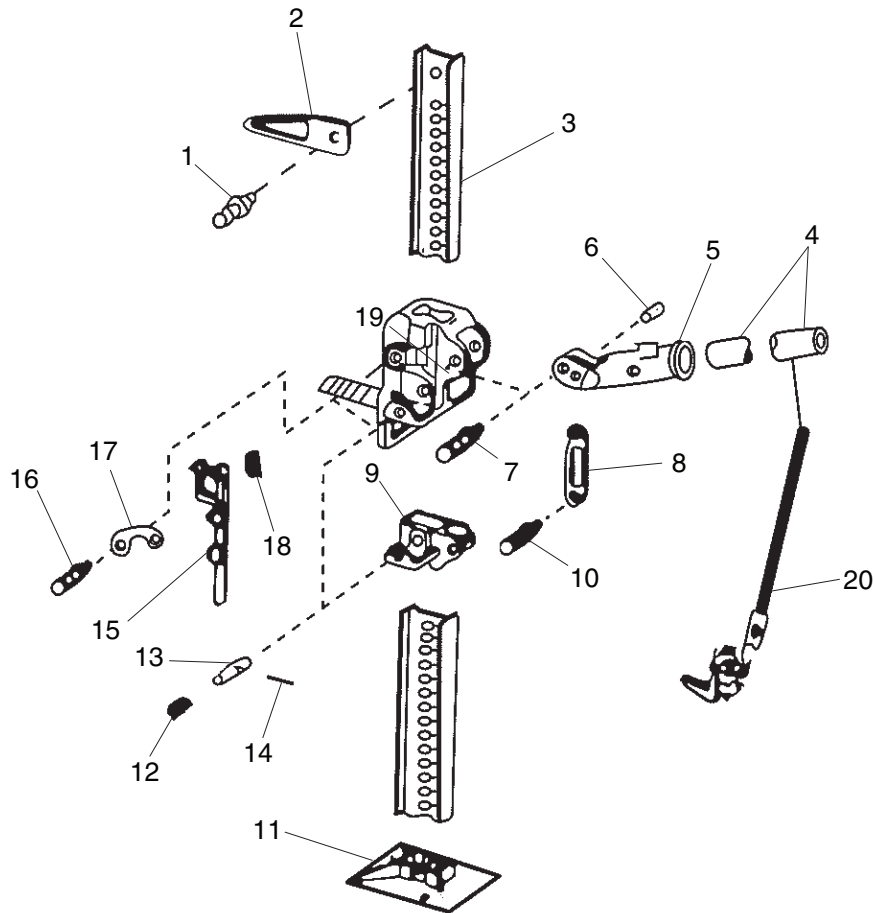
### **Storage**

Raise and clip the jack handle to the jack bar, then store the jack in an upright position in a dry, protected location.

*If you need help with your new high lifting jack, call our Tech Support at: (570) 546-9663.*



# Parts Breakdown



REF	PART #	DESCRIPTION
1	P8720001	TOP CLAMP-CLEVIS BOLT
2	P8720002	TOP CLAMP-CLEVIS
3	P8720003	STEEL STANDARD (BAR)
4	P8720004	STEEL HANDLE W/COTTER PIN
5	P8720005	HANDLE SOCKET
6	P8720006	PIN
7	P8720007	HEX BOLT
8	P8720008	CONNECTING ROD
9	P8720009	SMALL RUNNER
10	P8720010	SCREW BOLT

REF	PART #	DESCRIPTION
11	P8720011	BASE
12	P8720012	CLIMBING PIN SPRING
13	P8720013	CLIMBING PIN
14	P8720014	CROSS PIN
15	P8720015	REVERSING SWITCH CAM BAR
16	P8720016	CAP SCREW W/WASHER
17	P8720017	REVERSING LATCH
18	P8720018	REVERSING SWITCH SPRING
19	P8720019	LARGE RUNNER
20	P8720020	RUNNING GEAR ASSEMBLY



## Free Manuals Download Website

<http://myh66.com>

<http://usermanuals.us>

<http://www.somanuals.com>

<http://www.4manuals.cc>

<http://www.manual-lib.com>

<http://www.404manual.com>

<http://www.luxmanual.com>

<http://aubethermostatmanual.com>

Golf course search by state

<http://golfingnear.com>

Email search by domain

<http://emailbydomain.com>

Auto manuals search

<http://auto.somanuals.com>

TV manuals search

<http://tv.somanuals.com>