



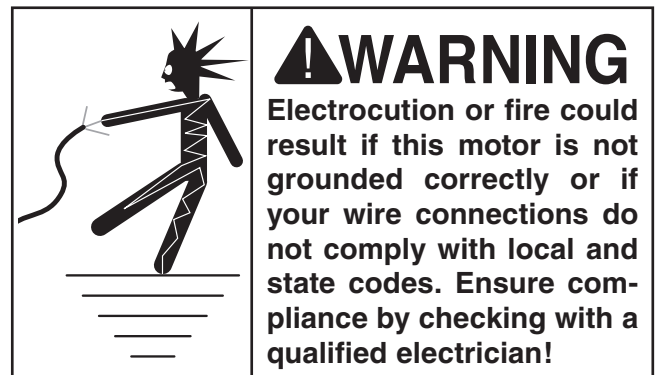
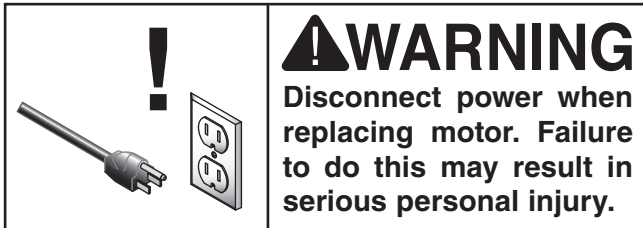
# MODEL G2536 2 HP ELECTRIC MOTOR INSTRUCTION SHEET

## Model G2536 Specifications

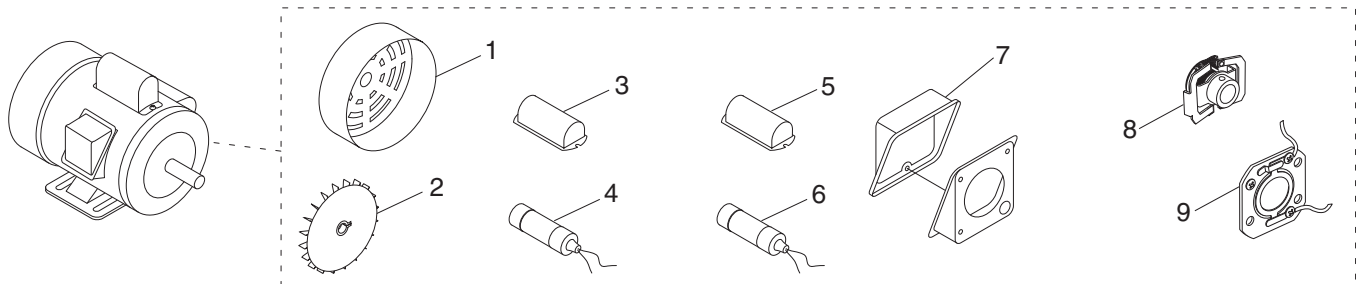
Power ..... 2 HP  
 Cycle.....60Hz  
 Voltage .....110/220V  
 Rewired ..... 110V  
 Amps ..... 18.6/9.3A  
 RPM..... 3450  
 Phase ..... Single  
 Class..... E  
 Start Capacitor ..... 400MFD 125VAC  
 Dimensions..... 1 $\frac{3}{8}$ "D x 2 $\frac{3}{8}$ "L  
 Run Capacitor ..... 40MFD 250VAC  
 Dimensions..... 1 $\frac{7}{8}$ "D x 3 $\frac{1}{2}$ "L

## Electrical Safety

If you are unsure how to attach wires to terminals, DO NOT continue. Contact a qualified electrician for assistance. Connecting wires improperly may cause them to come loose or contact other wires, which can cause electrocution, fire, or a short.



## Replaceable Parts

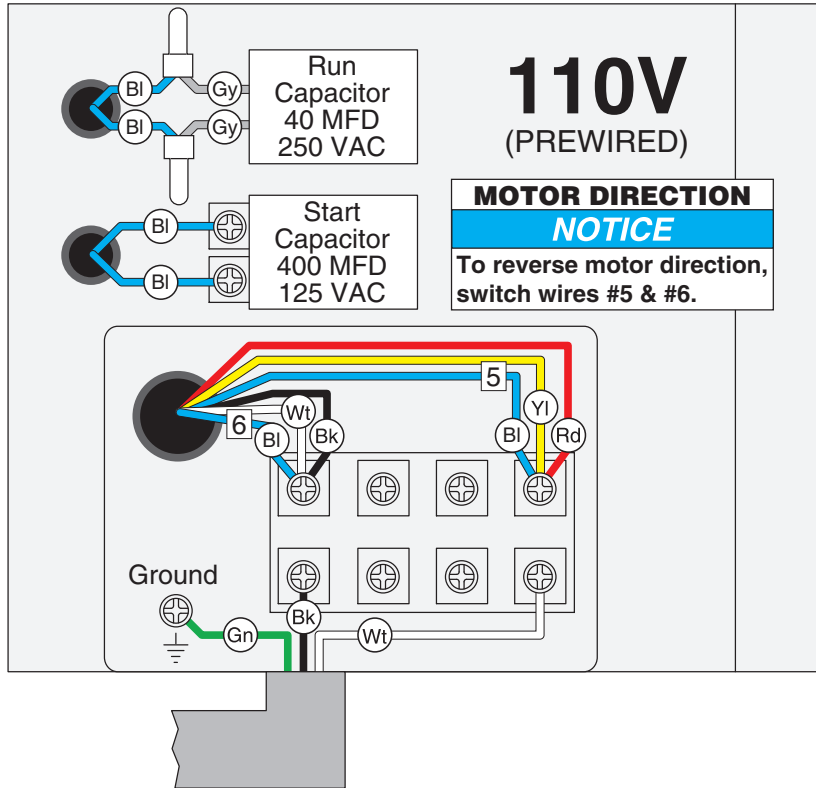


REF	PART #	DESCRIPTION
1	P2536001	MOTOR FAN COVER
2	P2536002	MOTOR FAN
3	P2536003	S CAPACITOR COVER
4	PC400F	S CAPACITOR 400M 125V 1-3/8 X 2-3/8
5	P2536005	R CAPACITOR COVER

REF	PART #	DESCRIPTION
6	PC040D	R CAPACITOR 40M 250V 1-7/8 X 3-1/2
7	P2536007	JUNCTION BOX
8	P2536008	CENTRIFUGAL SWITCH
9	P2536009	CONTACT PLATE

COPYRIGHT © DECEMBER, 2007 BY GRIZZLY INDUSTRIAL, INC.  
**WARNING: NO PORTION OF THIS INSTRUCTION SHEET MAY BE REPRODUCED IN ANY SHAPE OR FORM WITHOUT THE WRITTEN APPROVAL OF GRIZZLY INDUSTRIAL, INC.**  
 #JB10222 PRINTED IN TAIWAN

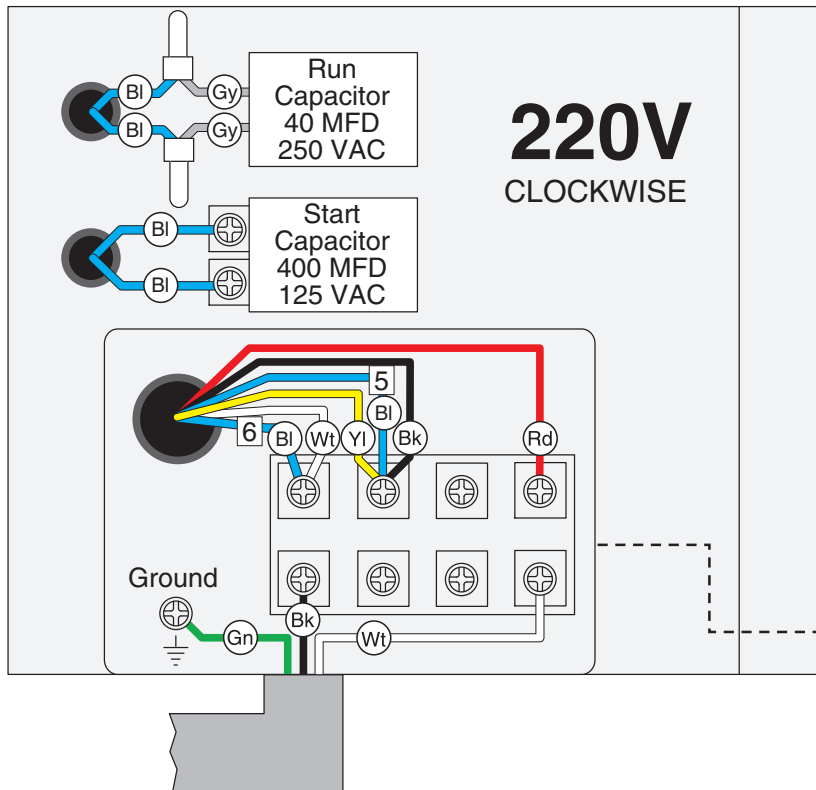
# G2536 Wiring Diagram



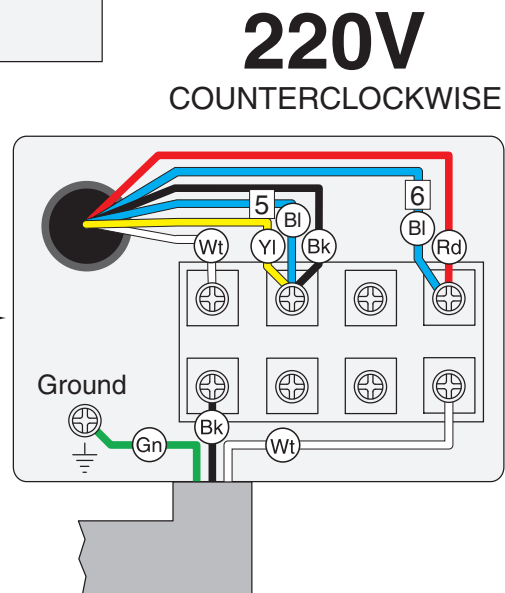
View this page in color at [www.grizzly.com](http://www.grizzly.com).

**COLOR KEY**

BLACK	
WHITE	
GREEN	
GRAY	
RED	
YELLOW	
BLUE	



**NOTICE**  
The motor wiring shown here is current at the time of printing, but it may not match your machine. Always use the wiring diagram inside the motor junction box.



## Free Manuals Download Website

<http://myh66.com>

<http://usermanuals.us>

<http://www.somanuals.com>

<http://www.4manuals.cc>

<http://www.manual-lib.com>

<http://www.404manual.com>

<http://www.luxmanual.com>

<http://aubethermostatmanual.com>

Golf course search by state

<http://golfingnear.com>

Email search by domain

<http://emailbydomain.com>

Auto manuals search

<http://auto.somanuals.com>

TV manuals search

<http://tv.somanuals.com>