



MODEL G8731/G8732/ G8733 TOW DRAW BAR INSTRUCTIONS

!WARNING

1. This tow draw bar was designed to mount into a 2" x 2" square hitch receiver. NEVER use this product for any purpose it was not designed for.
2. Know your load and tongue weight! NEVER exceed the gross load towing capacity or the tongue weight capacity of the hitch receiver or draw bar.
3. When mounting the draw bar, only use an approved hitch pin with a safety clip properly installed through the hitch receiver and draw bar.
4. ALWAYS attach load-appropriate safety chains to the load and through the hitch receiver chain loops.
5. ALWAYS thoroughly inspect each component of the towing assembly for damage or any unsafe condition before attaching a load. If you are in doubt about the safe operation of any of these towing devices, DO NOT use them.
6. If you do not have experience towing loads with your vehicle, WE STRONGLY RECOMMEND that you read books or get professional help before towing any load. Grizzly will not be held liable for accidents caused by lack of training or failure to follow safe towing practices.

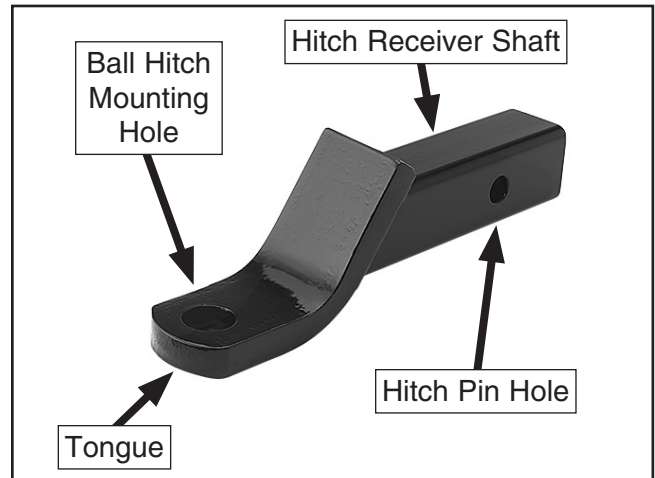


Figure 1. Model G8731/G8732/G8733 identification (shown in "lower" position).

Specifications

Maximum Load Towing Capacity	5000 lbs.
Maximum Tongue Weight Capacity.....	500 lbs.
Required Hitch Receiver Size	Square 2" x 2"
Required Hitch Pin	$\frac{5}{8}$ " Diameter w/Safety Clip
Distance Between Center of Hitch Receiver Shaft & Tongue:	
— Model G8731.....	2"
— Model G8732	4"
— Model G8733	6"
Ball Hitch Mounting Hole Diameter	1"
Hitch Receiver Construction.....	$\frac{3}{16}$ " Steel
Tongue Construction	Welded $\frac{3}{4}$ " Steel
Weight:	
— Model G8731.....	7 lbs.
— Model G8732	9 lbs.
— Model G8733	13.5 lbs.

COPYRIGHT © OCTOBER, 2008 BY GRIZZLY INDUSTRIAL, INC.

WARNING: NO PORTION OF THIS MANUAL MAY BE REPRODUCED IN ANY SHAPE OR FORM WITHOUT THE WRITTEN APPROVAL OF GRIZZLY INDUSTRIAL, INC.

#TS11147 PRINTED IN CHINA

Installation

1. Make sure the 2" x 2" square hitch receiver and the tow draw bar are free from debris that could interfere with proper installation, and make sure that all devices used in towing are in good working condition.
2. Insert the shaft of the draw bar into the hitch receiver, install the $\frac{5}{8}$ " hitch pin (not included) through the hitch pin hole of both the receiver and draw bar, then secure it in place with the safety clip (see **Figure 2**).

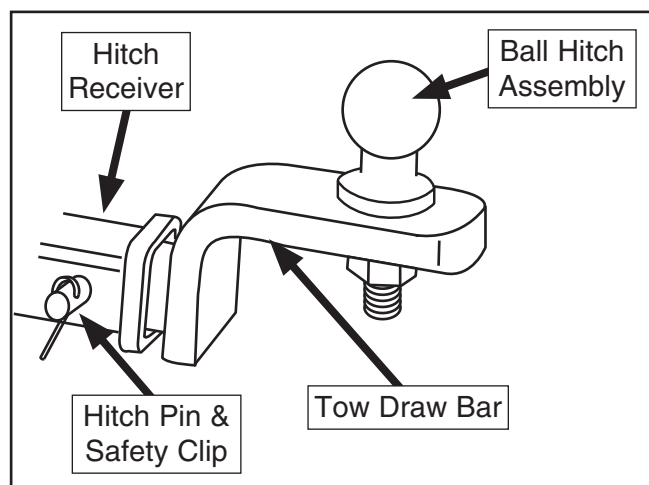


Figure 2. Tow draw bar installed in "upper" configuration.

Note: The tow draw bar can be installed into the hitch receiver in the "upper" configuration, as shown in **Figure 2**, or with the tongue in the "lower" configuration, depending on the height of the trailer hitch.

Maintenance & Storage

Keep the tow draw bar free of debris and rust. Store it in a dry, protected place.

If you need help with your new tow draw bar, call our Tech Support at: (570) 546-9663.



Free Manuals Download Website

<http://myh66.com>

<http://usermanuals.us>

<http://www.somanuals.com>

<http://www.4manuals.cc>

<http://www.manual-lib.com>

<http://www.404manual.com>

<http://www.luxmanual.com>

<http://aubethermostatmanual.com>

Golf course search by state

<http://golfingnear.com>

Email search by domain

<http://emailbydomain.com>

Auto manuals search

<http://auto.somanuals.com>

TV manuals search

<http://tv.somanuals.com>