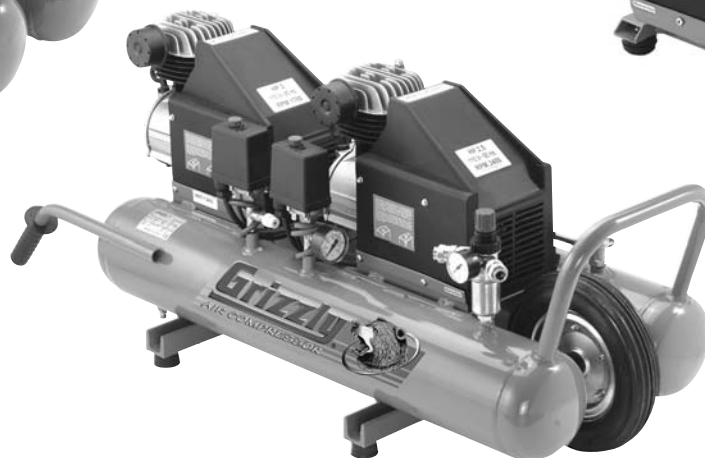


# *Grizzly* **Industrial, Inc.**®

WWW.GRIZZLY.COM

## **CONTRACTOR GRADE AIR COMPRESSORS MODEL G8297/G8298/G8299 INSTRUCTION MANUAL**



COPYRIGHT © 1999 BY GRIZZLY INDUSTRIAL, INC.  
1821 VALENCIA ST., BELLINGHAM, WA 98227

**WARNING: NO PORTION OF THIS MANUAL MAY BE REPRODUCED IN ANY SHAPE  
OR FORM WITHOUT THE WRITTEN APPROVAL OF GRIZZLY INDUSTRIAL, INC.**



# **WARNING!**

**Some dust created by power sanding, sawing, grinding, drilling, and other construction activities contains chemicals known to the State of California to cause cancer, birth defects or other reproductive harm. Some examples of these chemical are:**

- **Lead from lead-based paints.**
- **Crystalline silica from bricks, cement and other masonry products.**
- **Arsenic and chromium from chemically-treated lumber.**

**Your risk from these exposures varies, depending on how often you do this type of work. To reduce your exposure to these chemicals: Work in a well ventilated area, and work with approved safety equipment, such as those dust masks that are specially designed to filter out microscopic particles.**

# Table Of Contents

	<b>PAGE</b>
<b>1. SAFETY</b>	
SAFETY RULES FOR POWER TOOLS .....	2-3
ADDITIONAL SAFETY INSTRUCTIONS FOR AIR COMPRESSORS.....	4
<b>2. CIRCUIT REQUIREMENTS</b>	
110V OPERATION .....	5
GROUNDING .....	5
EXTENSION CORDS .....	5
<b>3. INTRODUCTION</b>	
COMMENTARY.....	6
UNPACKING .....	7
SITE CONSIDERATIONS .....	7
PREPARING FOR USE .....	8
<b>4. OPERATIONS</b>	
GENERAL .....	9
STARTING .....	10
PRESSURE REGULATOR .....	10
CONNECTING TOOLS .....	11
<b>5. MAINTENANCE</b>	
EACH USE .....	12
AFTER FIRST 50 HOURS .....	13
WEEKLY .....	13
EVERY 300 HOURS .....	13
PRESSURE LIMIT ADJUSTMENT .....	14
<b>6. CLOSURE.....</b>	<b>15</b>
<b>PARTS BREAKDOWN AND PARTS LISTS.....</b>	<b>16-20</b>
<b>TROUBLESHOOTING .....</b>	<b>21</b>
<b>WARRANTY AND RETURNS .....</b>	<b>22</b>

# SECTION 1: SAFETY

## WARNING

### For Your Own Safety Read Instruction Manual Before Operating This Equipment

The purpose of safety symbols is to attract your attention to possible hazardous conditions. This manual uses a series of symbols and signal words which are intended to convey the level of importance of the safety messages. The progression of symbols is described below. Remember that safety messages by themselves do not eliminate danger and are not a substitute for proper accident prevention measures.



Indicates an imminently hazardous situation which, if not avoided, WILL result in death or serious injury.



Indicates a potentially hazardous situation which, if not avoided, COULD result in death or serious injury.



Indicates a potentially hazardous situation which, if not avoided, MAY result in minor or moderate injury. It may also be used to alert against unsafe practices.

## NOTICE

This symbol is used to alert the user to useful information about proper operation of the equipment.

## WARNING

### Safety Instructions For Power Tools

- KEEP GUARDS IN PLACE** and in working order.
- REMOVE ADJUSTING KEYS AND WRENCHES.** Form habit of checking to see that keys and adjusting wrenches are removed from tool before turning on.
- KEEP WORK AREA CLEAN.** Cluttered areas and benches invite accidents.
- DON'T USE IN DANGEROUS ENVIRONMENT.** Don't use power tools in damp or wet locations, or where any flammable or noxious fumes may exist. Keep work area well lighted.
- KEEP CHILDREN AND VISITORS AWAY.** All children and visitors should be kept a safe distance from work area.
- MAKE WORK SHOP CHILD PROOF** with padlocks, master switches, or by removing starter keys.
- DON'T FORCE TOOL.** It will do the job better and safer at the rate for which it was designed.
- USE RIGHT TOOL.** Don't force tool or attachment to do a job for which it was not designed.

# WARNING

## Safety Instructions For Power Tools

- 9. USE PROPER EXTENSION CORD.** Make sure your extension cord is in good condition. Conductor size should be in accordance with the chart below. The amperage rating should be listed on the motor or tool nameplate. An undersized cord will cause a drop in line voltage resulting in loss of power and overheating. Your extension cord must also contain a ground wire and plug pin. Always repair or replace extension cords if they become damaged.

Minimum Gauge for Extension Cords

AMP RATING	LENGTH		
	25ft	50ft	100ft
0-6	18	16	16
7-10	18	16	14
11-12	16	14	12
13-16	14	12	12
17-20	12	12	8
21-30	10	10	No

- 10. WEAR PROPER APPAREL.** Do not wear loose clothing, gloves, neckties, rings, bracelets, or other jewelry which may get caught in moving parts. Non-slip footwear is recommended. Wear protective hair covering to contain long hair.
- 11. ALWAYS USE SAFETY GLASSES.** Also use face or dust mask if cutting operation is dusty. Everyday eyeglasses only have impact resistant lenses, they are NOT safety glasses.
- 12. SECURE WORK.** Use clamps or a vise to hold work when practical. It's safer than using your hand and frees both hands to operate tool.
- 13. DON'T OVERREACH.** Keep proper footing and balance at all times.
- 14. MAINTAIN TOOLS WITH CARE.** Keep tools sharp and clean for best and safest performance. Follow instructions for lubricating and changing accessories.
- 15. DISCONNECT TOOLS** before servicing and changing accessories, such as blades, bits, cutters, and the like.
- 16. REDUCE THE RISK OF UNINTENTIONAL STARTING.** Make sure switch is in off position before plugging in.
- 17. USE RECOMMENDED ACCESSORIES.** Consult the owner's manual for recommended accessories. The use of improper accessories may cause risk of injury.
- 18. CHECK DAMAGED PARTS.** Before further use of the tool, a guard or other part that is damaged should be carefully checked to determine that it will operate properly and perform its intended function. Check for alignment of moving parts, binding of moving parts, breakage of parts, mounting, and any other conditions that may affect its operation. A guard or other part that is damaged should be properly repaired or replaced.
- 19. NEVER LEAVE TOOL RUNNING UNATTENDED. TURN POWER OFF.** Don't leave tool until it comes to a complete stop.

## **WARNING**

# **Additional Safety Instructions For Air Compressors**

1. Operate the compressor in a well-ventilated area free of acids, vapor, explosive gases and flammable or unstable materials.
2. Use compressor only with air, never use with any other type of gas.
3. Never aim the air nozzle directly at yourself or others. The air stream can be quite forceful and can damage skin.
4. Do not pull on rubber hoses to move the compressor.
5. Do not use compressed air for filling breathing or diving apparatus. Compressed air from this compressor cannot be used for pharmaceutical, food or health requirements without further treatment.
6. Never transport the compressor under pressure. Always make sure the pressure in the storage tanks has been released before loading or moving the air compressor.
7. Never attempt to adjust the pressure safety valve on the air tanks. This is preset to 150 PSI.

## **WARNING**

Operating this equipment has the potential to propel debris into the air which can cause eye injury. Always wear safety glasses or goggles when operating equipment. Everyday glasses or reading glasses only have impact resistant lenses, they are not safety glasses. Be certain the safety glasses you wear meet the appropriate standards of the American National Standards Institute (ANSI).

## **WARNING**

Like all power tools, there is danger associated with the operation of air compressors. Accidents are frequently caused by lack of familiarity or failure to pay attention. Use this equipment with respect and caution to lessen the possibility of operator injury. If normal safety precautions are overlooked or ignored, serious personal injury may occur.

## **CAUTION**

No list of safety guidelines can be complete. Every shop environment is different. Always consider safety first, as it applies to your individual working conditions. Use this and other machinery with caution and respect. Failure to do so could result in serious personal injury, damage to equip-

# SECTION 2: CIRCUIT REQUIREMENTS

## 110V Operation

This family of air compressors is wired for 110/120V, single phase operation only. The chart below shows the maximum amperage draw and recommended fusing level for each of the machines.

Model	HP	Amperage	
		Max	Fuse
G8297	2.0	11	15
G8298	2.5	17	20
G8299 (2 Motors)	2.5	17	20
	2.0	11	15

It is generally best to operate a compressor on a dedicated circuit, i.e. a circuit where there are no other electrical appliances plugged in. The dual motors on the G8299 should be plugged into separate circuits. The fuse requirements above assume the use of a circuit breaker or a slow-blow fuse. If an unusual load does not exist and the compressor still breaks the circuit, contact a qualified electrician or our service department.



## Extension Cords

If you find it necessary to use an extension cord with your compressor, make sure the cord is rated Hard Service (grade S) or better. Refer to the chart in the standard safety instructions to determine the minimum gauge for the extension cord. The extension cord must also contain a ground wire and plug pin. Always repair or replace extension cords when they become worn or damaged.



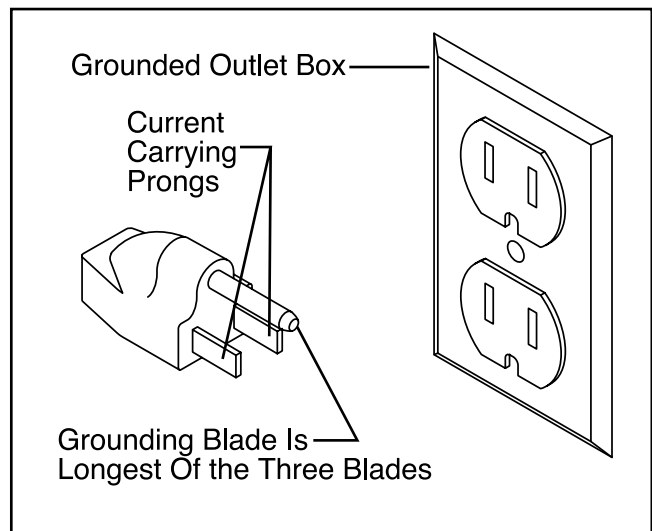
G8297/G8298/G8299 Air Compressors

## Grounding

In the event of an electrical short, grounding reduces the risk of electric shock by providing a path of least resistance to disperse electric current. These machines are equipped with power cords having an equipment-grounding conductor. **See Figure 1.** The outlet must be properly installed and grounded in accordance with all local codes and ordinances.

### **⚠️ WARNING**

**This equipment must be grounded. Verify that any existing electrical outlet and circuit you intend to plug into is actually grounded. If it is not, it will be necessary to run a separate 12 A.W.G. copper grounding wire from the outlet to a known ground. Under no circumstances should the grounding pin from any three-pronged plug be removed. Serious injury may occur.**



**Figure 1.** Grounded plug configuration.





# SECTION 3: INTRODUCTION

---

---

## Commentary

---

---

We are proud to offer the Grizzly Models G8297/8298/8299 Contractor Grade Air Compressors. These compressors are part of the growing Grizzly family of heavy-duty machinery for the contractor and professional user. When used according to the guidelines set forth in this manual, you can expect years of trouble-free, enjoyable operation and proof of Grizzly's commitment to customer satisfaction.

These compressors are designed to suit the needs of the professional contractor who requires a reliable air source on the job site. The G8297 is a 2.0 HP unit with a 4.25 gallon tank capacity and delivers 4.2 CFM@90 PSI. The G8298 is similar to the G8297 with the 2.5 HP motor which provides 5.8 CFM. The dual motor 4.5 HP G8299 delivers 10 CFM with a 9.0 gallon tank capacity. The G8299 is conveniently portable with a wheel built into the tank system.

We are also pleased to provide this manual with your new air compressor. It was written to guide you through assembly, review safety considerations, and cover general operating procedures. It represents our effort to produce the best documentation possible. If you have any comments regarding this manual, please write to us at the address below:

Grizzly Industrial, Inc.  
% Technical Documentation  
P.O. Box 2069  
Bellingham, WA 98227-2069

Most importantly, we stand behind our machines. If you have any service questions or parts requests, please call or write us at the location listed below.

Grizzly Industrial, Inc.  
1203 Lycoming Mall Circle  
Muncy, PA 17756  
Phone: (570) 546-9663  
Fax: (800) 438-5901  
E-Mail: [techsupport@grizzly.com](mailto:techsupport@grizzly.com)  
Web Site: <http://www.grizzly.com>

The specifications, drawings, and photographs illustrated in this manual represent the Models G8297/8298/8299 as supplied when the manual was prepared. However, owing to Grizzly's policy of continuous improvement, changes may be made at any time with no obligation on the part of Grizzly. Whenever possible, though, we send manual updates to all owners of a particular tool or machine. Should you receive one, we urge you to insert the new information with the old and keep it for reference.

### CAUTION

**To operate this, or any power tool, safely and efficiently, it is essential to become as familiar with its characteristics as possible. The time you invest before you begin to use your air compressor will be time well spent. DO NOT operate this machine until you are completely familiar with the contents of this manual. Make sure you read and understand all of the safety procedures. If you do not understand something, DO NOT operate the machine.**





# Unpacking

---

---

This air compressor is shipped from the manufacturer in a carefully packed carton. If you discover the machine is damaged after you've signed for delivery, and the truck and driver are gone, you will need to file a freight claim with the carrier. Save the containers and all packing materials for possible inspection by the carrier or its agent. Without the packing materials, filing a freight claim can be difficult. *If you need assistance determining whether you need to file a freight claim, or with the procedure to file one, please contact our Customer Service.*

---

---



When taking the air compressor to a job site, the most important consideration is access to an adequate and properly fused power supply. Refer to Section 2: Circuit Requirements for the needs for your particular compressor.

Also make sure the compressor is not operating in an environment where there are any explosive, flammable or caustic fumes or gases. A clear and well-ventilated area is best for its safe operation.

Place the compressor on a solid and level surface. Make sure that the hoses you attach to supply your pneumatic device will be unrestricted in movement and not subject to being run over by vehicles or punctured by any other sharp objects in the area.

And since air compressors are often used for a sustained period of time, sometimes in restricted areas, it is also best to wear ear protection to avoid the long-term exposure to the sound of the electric motor and piston.

## NOTICE

**The machine should always be run in the positions shown on the cover of this manual. Never run the G8299 when it is standing upright on its wheel and support frame. Also never continue to operate the machine if it has fallen over on its side. The motor will not receive adequate oil flow in these positions, and continued operation can**

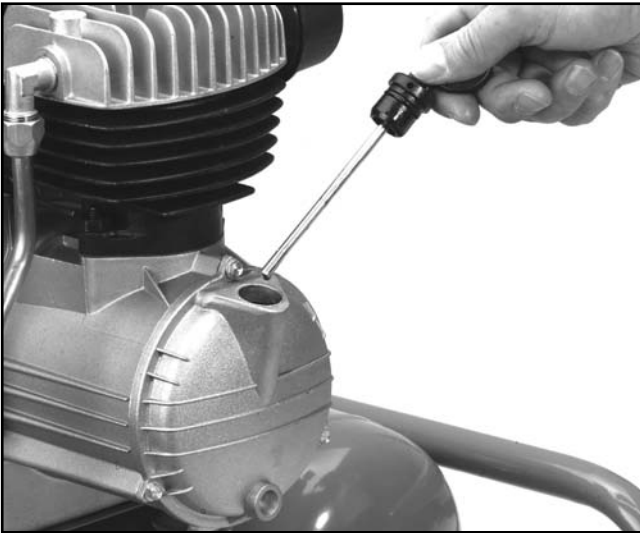


---

---

Before using your Grizzly Air Compressor, follow these steps before the first use:

1. Remove all packing materials and the protective plastic plugs from the cylinder head and oil plug. Do not remove the yellow cap underneath the black plastic cover of the pressure switch housing.
2. Screw the air filter(s) into the cylinder head(s).
3. Place the oil dipstick into the opening of the casing and check the oil level in the motor crankcase. **See Figure 2.** Each motor requires approximately 100 cc or 3.5 fluid ounces of compressor oil (ISO 100 or SAE 30W viscosity, non-detergent). Make certain the oil is at the full indicator level on the dipstick.



**Fig 2.** Oil sump and dipstick.

4. Make sure drain valve(s) on the air tanks is closed.
5. Make sure the power switch is in the OFF position, fully pushed in. Connect the power cord(s) to a properly protected power source.



## NOTICE

The machine should never be run without a full oil reservoir. The oil provides lubrication to the cylinder rings which deliver the compressed air. Severe damage to the internal parts can occur if there is not adequate oil flow. Check the oil level frequently, and change the oil on a regular sched-

## ⚠ WARNING

Operating this equipment has the potential to propel debris into the air which can cause eye injury. Always wear safety glasses or goggles when operating equipment. Everyday glasses or reading glasses only have impact resistant lenses, they are not safety glasses. Be certain the safety glasses you wear meet the appropriate standards of the American National Standards Institute (ANSI).

## ⚠ WARNING

Operating this equipment has the potential for hearing damage to occur, especially if operated for a long period of time. Use ANSI (American National Standards Institute) approved ear muff or ear plugs when using this equipment. Always wear proper hearing protection, cotton balls or tissue paper in the ear canal do not provide adequate noise reduction.

# SECTION 4: OPERATIONS

## General

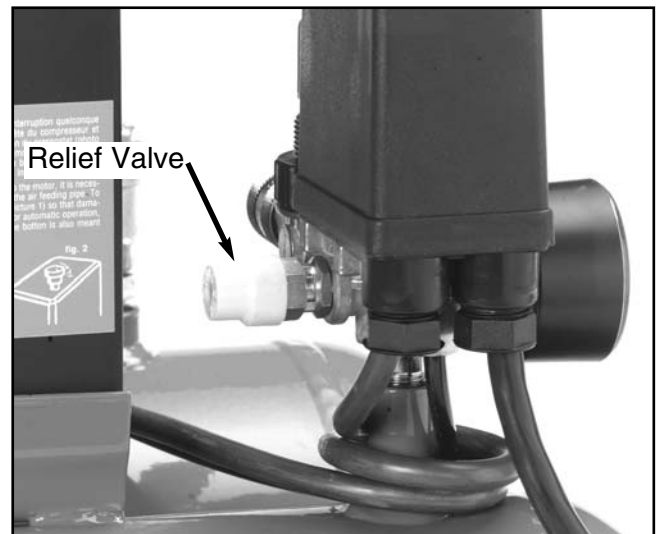
The pump produces compressed air which goes into the air tanks through the delivery pipe and the check valve. When the air pressure arrives at the factory pre-set level of 135 PSI, the pressure switch shuts off the electrical current to the axial electric pump. At the time it shuts off, it discharges the air held in the pump cylinder to the delivery pipe. This allows the pump to be depressurized so it can easily restart. When the pressure in the air tanks falls below the minimum factory set pressure of 105 PSI, the pump cycles again to build the pressure back up. The pressure switch is supplied with a discharge valve with delayed closing, which reduces the strain on the pump and the motor during startup.

The compressor is operating correctly when there is a bleed of air every time the motor is switched off. You will notice an audible air discharge each time the pump motor stops. On these compressors, the pump will cycle first to minimize the amperage draw and will bleed off air through the cold-start valve. The valve will stay open until approximately 20 PSI is reached in the air tanks at which time it closes to allow full pressurization of the tanks.

For the G8299 with the dual motors, both motors can be started simultaneously for rapid pressurization. As with the G8298, the 2.5 HP pump is fitted with a cold-start valve which will stay open until approximately 20 PSI is reached in the tanks. This will allow the compressor to lubricate properly without straining the motor and pump.

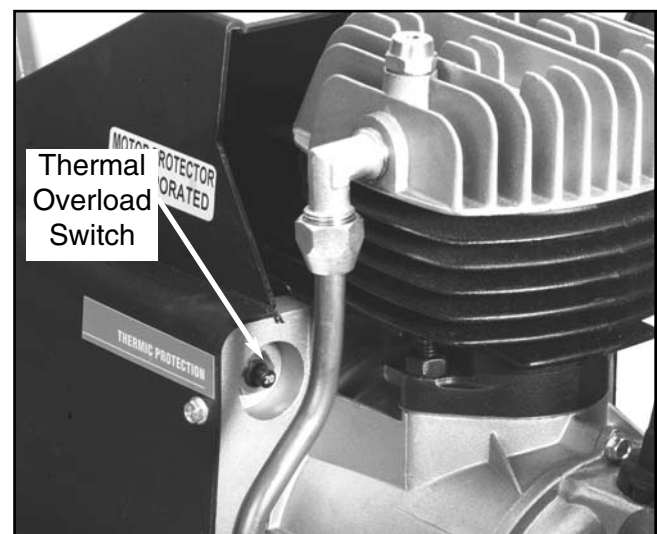
Depending on the volume of the air usage, it is often adequate to recharge the system during operation using only the 2 HP pump taking advantage of its lower RPM and quieter operation.

All of the compressors are equipped with a 150 PSI safety relief valve which will discharge air from the tanks if for any reason they should become over-pressured. **See Figure 3.** These are preset valves and are not adjustable.



**Fig 3.** Pressure safety relief valve.

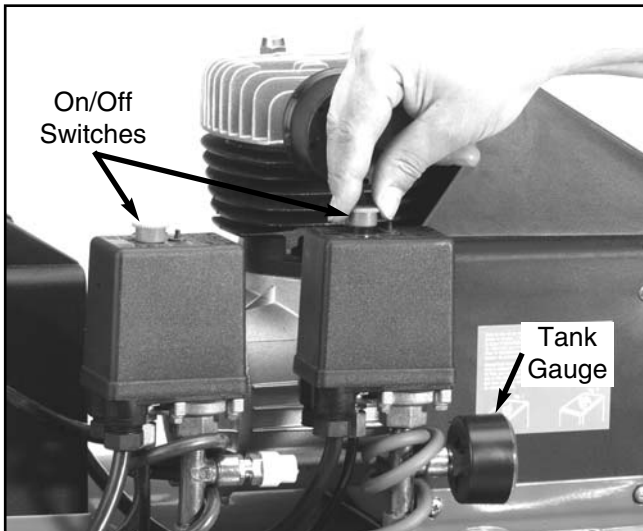
These compressors are also equipped with thermal overload breakers which will trip if there is excessive load on the motors which causes a heat buildup. In the event the breaker shuts the compressor down, wait a few minutes for the unit to cool down, then press the reset button shown in **Figure 4.**



**Fig 4.** Thermal protection typical placement.

# Starting

Make sure the compressor switch is in the OFF position (the red button on top of the control box should be in the fully depressed position, see **Figure 5**) before connecting to the power supply. Close the drain cock on the tanks. Pull the switch to the ON position.



**Fig 5.** G8299 starting switches and gauge.

Check the tank pressure gauge to see that the tank pressure gets up to approximately 120-130 PSI.



# Pressure Regulator

After the compressor has fully pressurized the tanks, turn the red knob on the pressure regulator (**See Figure 6**) to set the pressure needed for the air tool you will be using. Consult the manual which accompanied your air tool to determine what pressure setting is required for optimal operation. The gauge on the regulator will indicate the pressure which will be delivered through the air line.



**Fig 6.** Pressure regulator and gauge.



## **!WARNING**

Always wear safety glasses and use extreme caution when working around compressed air. The force of the air stream can cause small bits of debris to become airborne and cause potential injury to the eyes or other parts of the body. Never let the full force of the air stream come in direct contact with the skin as it can cause abrasions or bruising.

# Connecting Tools

---

---

Make sure the compressor model you use has sufficient cubic feet per minute (CFM) output for the air tool you plan to connect. Most air tools will have an air requirement stated in terms of a specific CFM at a specific pressure (PSI). Most common is a rating at 90 PSI. Consult the chart below to determine the output of your compressor model.

Model	HP	CFM @ 90 PSI	Tank Cap.
G8297	2.0	4.2	4.25 gal
G8298	2.5	5.8	4.25 gal
G8299	4.5	10	9.0 gal

The compressor should put out a higher CFM than the tool requires. If connecting multiple tools which will be used simultaneously, then the CFM for each tool should be added together and compared to the compressor output value.

Consideration should also be given to the type of usage. A nailer or staple gun uses air in short bursts and it is easier for the compressor to maintain pressure. A paint sprayer or grinder tends to use a more continuous stream of air as these tools are run for longer time periods. It is always better to oversize a compressor to allow for variation in the type of usage and the number of tools to be powered. Air tools being operated with insufficient air volume will not perform their function satisfactorily.

Connect the tool using a good quality air line with an adequate length to reach from the compressor to the point of use. Quick-connect couplers are a good option for fast and sure connection of tools and air hoses. Make certain the air hose will not be placed in a position where it can become constricted or cut by a sharp object. Having a hose run over by heavy vehicles may not cause an immediate leak, but it will shorten the life of the hose.



# Notes

---

---

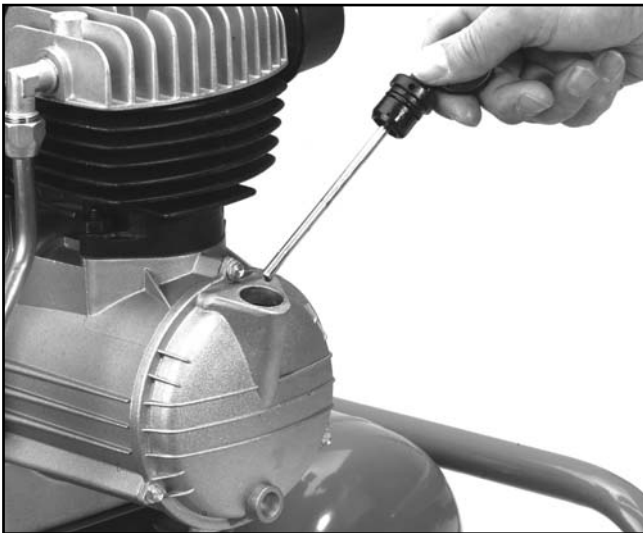


# SECTION 5: MAINTENANCE

## Each Use

Regular periodic maintenance on your Air Compressor will ensure its optimum performance. Make a habit of inspecting your compressor each time you use it. Check the following items:

1. Check oil level. **See Figure 7.**

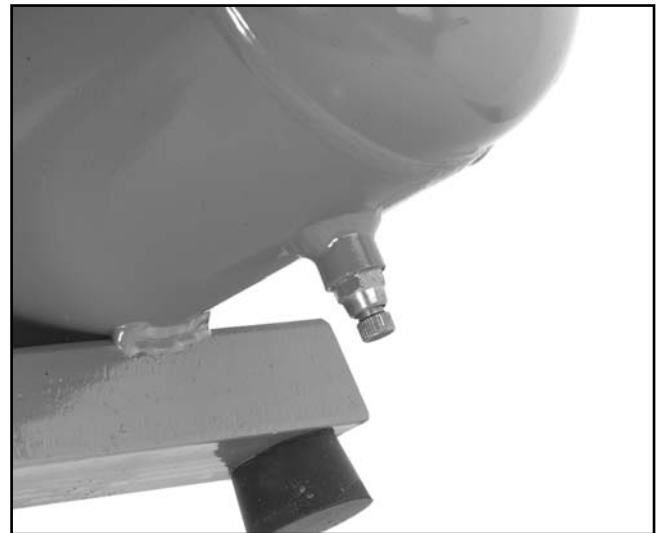


**Fig 7.** Checking oil level with dipstick.

2. Drain tanks of any condensation by opening the drain cocks on the bottom of both tanks. **See Figure 8.** Depending upon the amount of use and the weather conditions, a certain amount of condensed water may be released. For longevity of the compressor seals and the air tools you connect, it is best to keep the tanks free of water. The tanks are best drained if the drain cocks are opened when the system is pressurized. Once water has stopped coming out, you can close the drain cocks.

## **⚠**WARNING

Always wear safety glasses and use extreme caution when working around compressed air. The force of the air stream can cause small bits of debris to become airborne and cause potential injury to the eyes or other parts of the body. Never let the full force of the air stream come in direct contact with the skin as it can cause abrasions or bruising.



**Fig 8.** Typical location of drain cocks.

3. Clean off cylinder head cooling fins of any dirt which might hamper air flow.
4. Check for worn or damaged cords and plugs.
5. Check for any other condition that could hamper the safe operation of this machine.



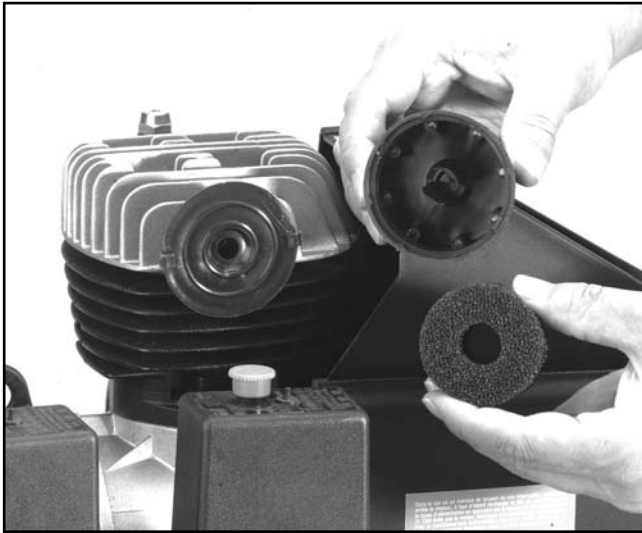
## After First 50 Hours

---

After the first 50 working hours, or 30 days, whichever comes first, replace the oil in the motor with compressor oil (use ISO 100 or SAE 30W viscosity, non-detergent type).

Also after this initial operation period, check to make sure that all the fittings are tight. Remove the air filter foam element (**See Figure 9**) and rinse it out in water. Allow it to dry and reinstall.

Blow out any accumulated dirt between the cylinder cooling fins.



**Fig 9.** Air filter cover and foam element.



## Weekly

---

If the compressor is used on a regular daily basis, perform the following checks each week:

1. Rinse the air filter foam element in water.
2. Check for loose bolts or fittings.



## Every 300 Hours

---

After every 300 hours or 3 months of regular operation, perform the following maintenance items:

1. Change compressor motor oil.
2. Rinse the air filter foam element in water.
3. Check for air leaks and correct as needed.
4. Clean cylinder head fins for proper cooling.
5. Check for loose bolts or fittings.

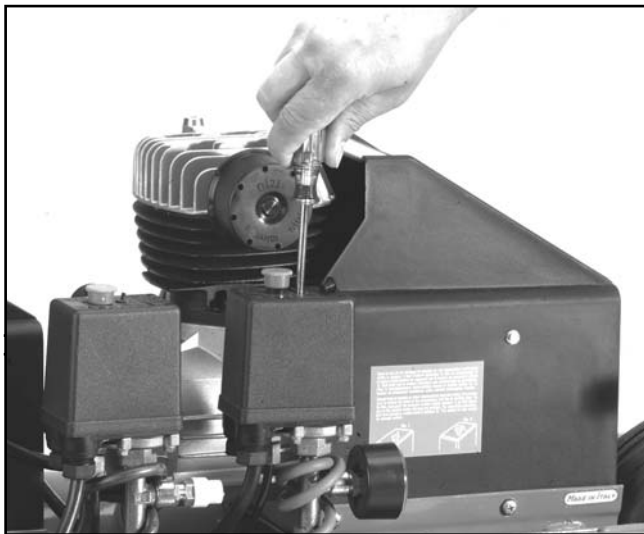




# Pressure Limit Adjustment

The compressor is delivered with pressure switch settings which turn the compressor pump off when it reaches a tank pressure of 135 PSI, and turn it back on when it reaches 105 PSI. Normally these settings should not require any adjustment.

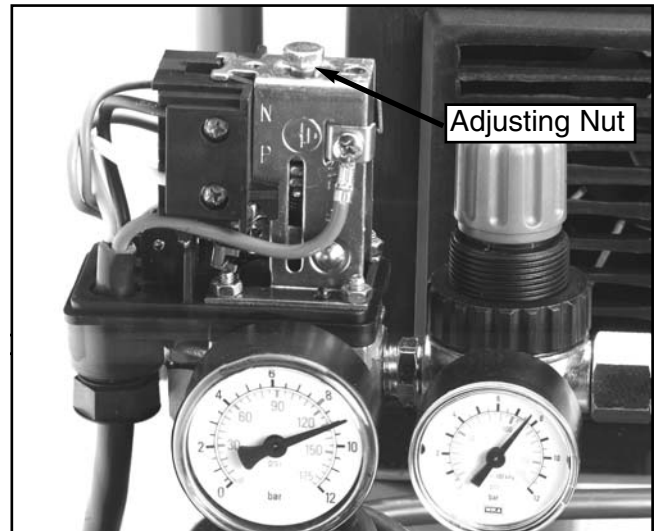
In the event it becomes necessary to change, first make certain the compressor is disconnected from the power source. Then remove the black plastic cover below the On/Off switch. This is done by removing the rubber plug on top of the housing and inserting a Phillips® screwdriver. See **Figure 10**.



**Fig 10.** Removing pressure switch cover.

The hex nut on the top of the exposed switch is used to adjust the pressure limits. See **Figure 11**. Turn it clockwise to increase the pressure and counterclockwise to reduce. This will move both the maximum pressure shutoff point and the minimum pressure turn-on point simultaneously. These limits are not separately adjustable. Do not exceed a maximum cutoff pressure of 145 PSI.

After adjusting, replace the cover and reconnect to the power source.



**Fig 11.** Adjusting nut on pressure switch.

For the G8299, it is possible to control which motor comes on first by adjusting these pressure limits. The machine is set from the factory so the 2 HP pump comes on first to minimize amperage draw. If this is not acceptable, adjust the limits on the 2 HP higher, and set the limits on the 2.5 HP lower so they will operate in reverse of the factory setting.

## **⚠️ WARNING**

**Do not remove the pressure switch cover with the machine plugged in to power. When the cover is off, the electrical connections are uncovered and can be a source of electrical shock. Make the adjustments progressively until the desired level is reached, and disconnect from power each time you turn the adjusting nut. Serious personal injury can occur.**



# SECTION 6: CLOSURE

---

The following pages contain general machine data, parts diagrams/lists, troubleshooting guide and Warranty/Return information for your Model G8297/8298/8299 Air Compressor.

If you need parts or help in assembling your machine, or if you need operational information, we encourage you to call our Service Department. Our trained service technicians will be glad to help you.

If you have comments dealing specifically with this manual, please write to our Bellingham, Washington location using the address in Section 3 Introduction. The specifications, drawings, and photographs illustrated in this manual represent the Model G8297/8298/8299 Air Compressor as supplied when the manual was prepared. However, due to Grizzly's policy of continuous improvement, changes may be made at any time with no obligation on the part of Grizzly. Whenever possible, though, we send manual updates to all owners of a particular tool or machine. Should you receive one, add the new information to this manual and keep it for reference.

We have included some important safety measures that are essential to this machine's operation. While most safety measures are generally universal, Grizzly reminds you that each workshop is different and safety rules should be considered as they apply to your specific situation.

## WARNING

Operating this equipment has the potential for flying debris to cause eye injury. Always wear safety glasses or goggles when operating equipment. Everyday glasses or reading glasses only have impact resistant lenses, they are not safety glasses. Be certain the safety glasses you wear meet the appropriate standards of the American National Standards Institute (ANSI).

We recommend you keep a copy of our current catalog for complete information regarding Grizzly's warranty and return policy. If you need additional technical information relating to this machine, or if you need general assistance or replacement parts, please contact the Service Department listed in Section 3: or Introduction.

Additional information sources are necessary to realize the full potential of this machine. Trade journals, woodworking magazines, and your local library are good places to start.

## WARNING

The Model G8297/8298/8299 Air Compressors are specifically designed for air tool operation. **DO NOT MODIFY AND/OR USE THIS MACHINE FOR ANY OTHER PURPOSE. Modifications or improper use of this tool will void the warranty.** If you are confused about any aspect of this machine, **DO NOT** use it until you have answered all your questions. **Serious personal injury may occur.**

## WARNING

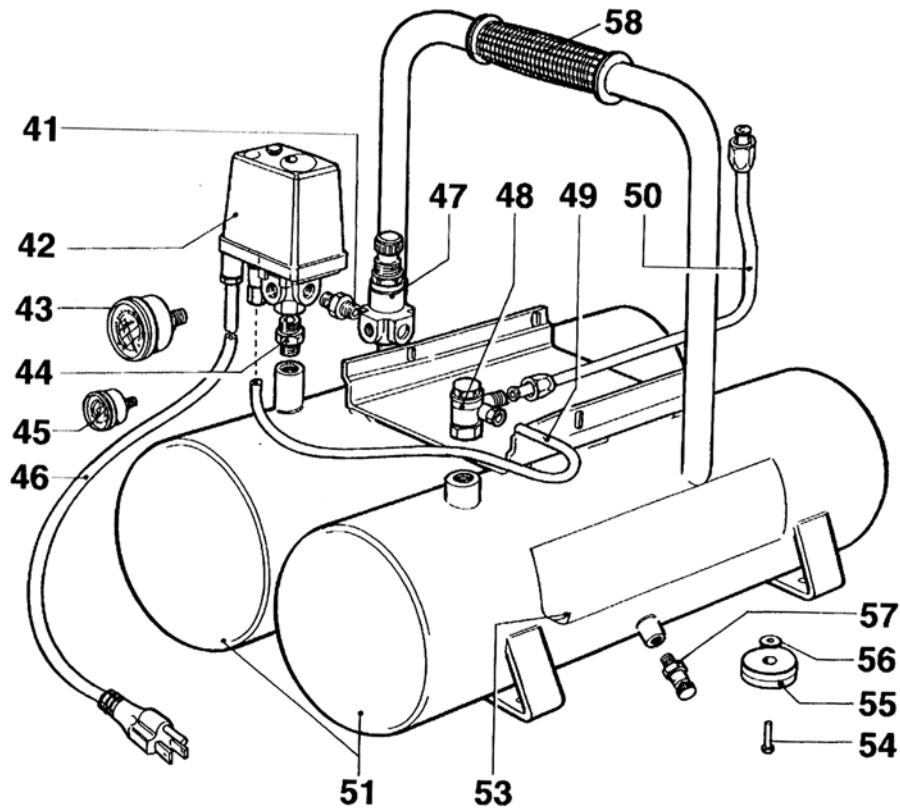
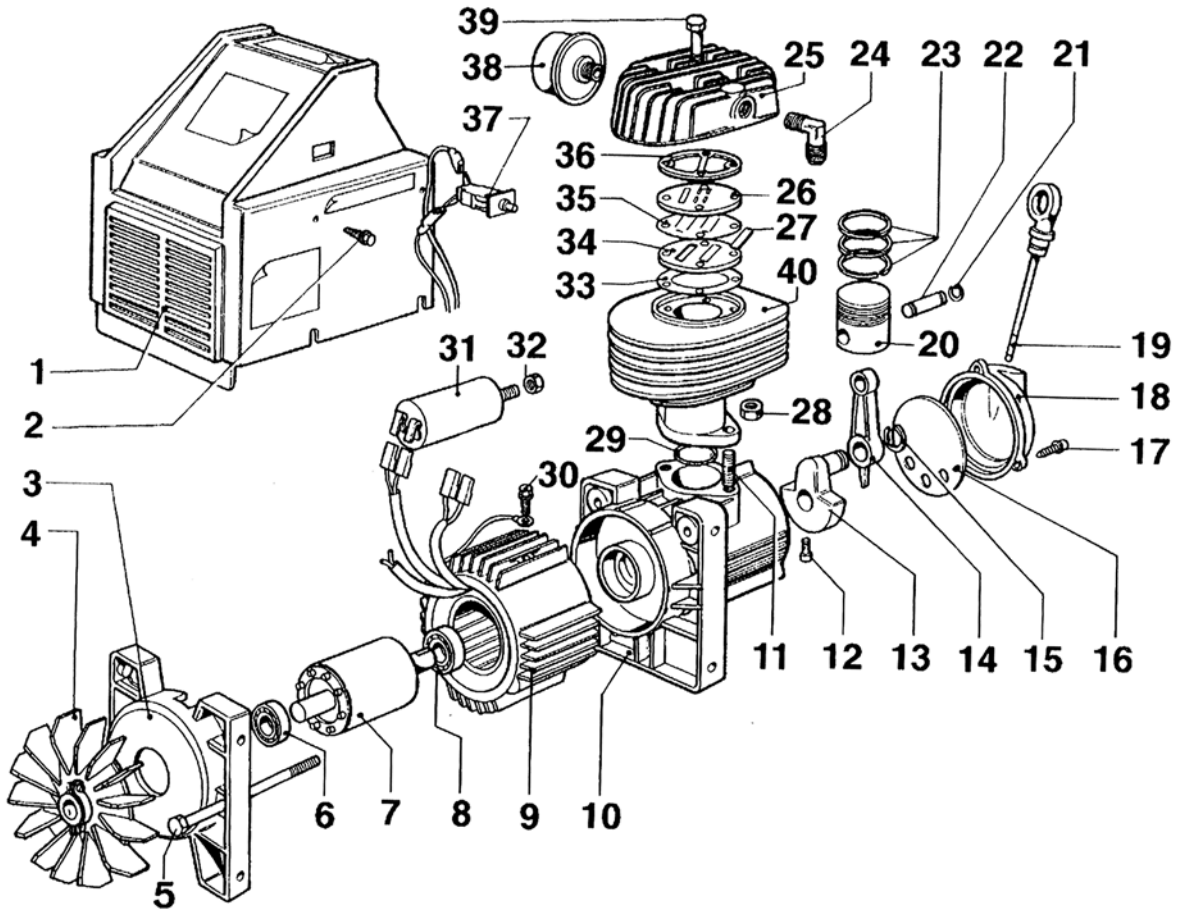
**Like all power tools, there is danger associated with operating this equipment. Accidents are frequently caused by lack of familiarity or failure to pay attention. Use this tool with respect and caution to lessen the possibility of operator injury. If normal safety precautions are overlooked or ignored, serious personal injury may occur.**



# PARTS LIST G8297 AIR COMPRESSOR

Ref. #	Part #	Description
001	P8297001	Guard
002	P8297002	Screw M4.2 x 13
003	P8297003	Motor Flange
004	P8297004	Fan 155mm Dia.
005	P8297005	Screw M6 x 135
006	P8297006	Bearing 17 x 40 x 12
007	P8297007	Rotor
008	P8297008	Bearing 25 x 52 x 15
009	P8297009	Stator
010	P8297010	Compressor Casing
011	P8297011	Screw M8 x 35
012	P8297012	Screw M8 x 25
013	P8297013	Eccentric
014	P8297014	Connecting Rod
015	P8297015	Snap Ring 15mm
016	P8297016	Gasket
017	P8297017	Screw M4.2 x 13mm
018	P8297018	Casing Cover
019	P8297019	Oil Dipstick
020	P8297020	Piston 50mm Dia
021	P8297021	Snap Ring 12mm
022	P8297022	Piston Pin
023	P8297023	50mm Ring Set
023A	P8297023A	50mm Ring Set
023B	P8297024B	50mm Ring Set
024	P8297024	3/8" Elbow
025	P8297025	Cylinder Head
026	P8297026	Valve Plate
027	P8297027	Valve
028	P8297028	Nut M8

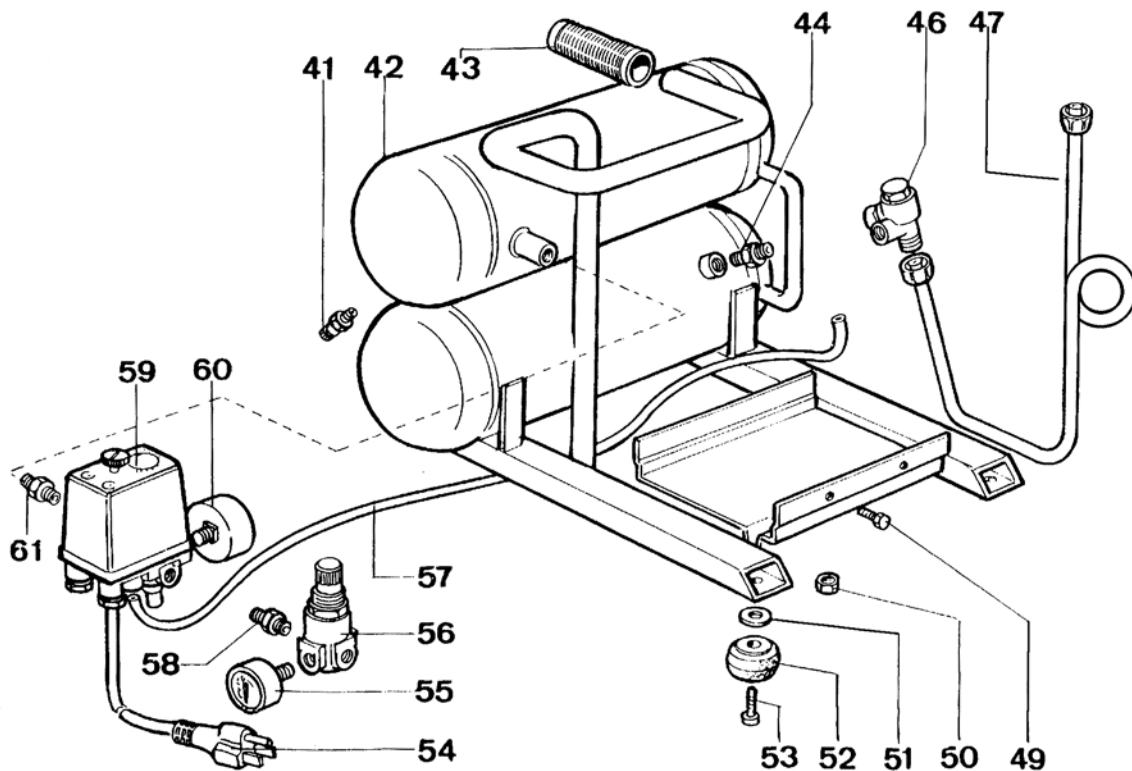
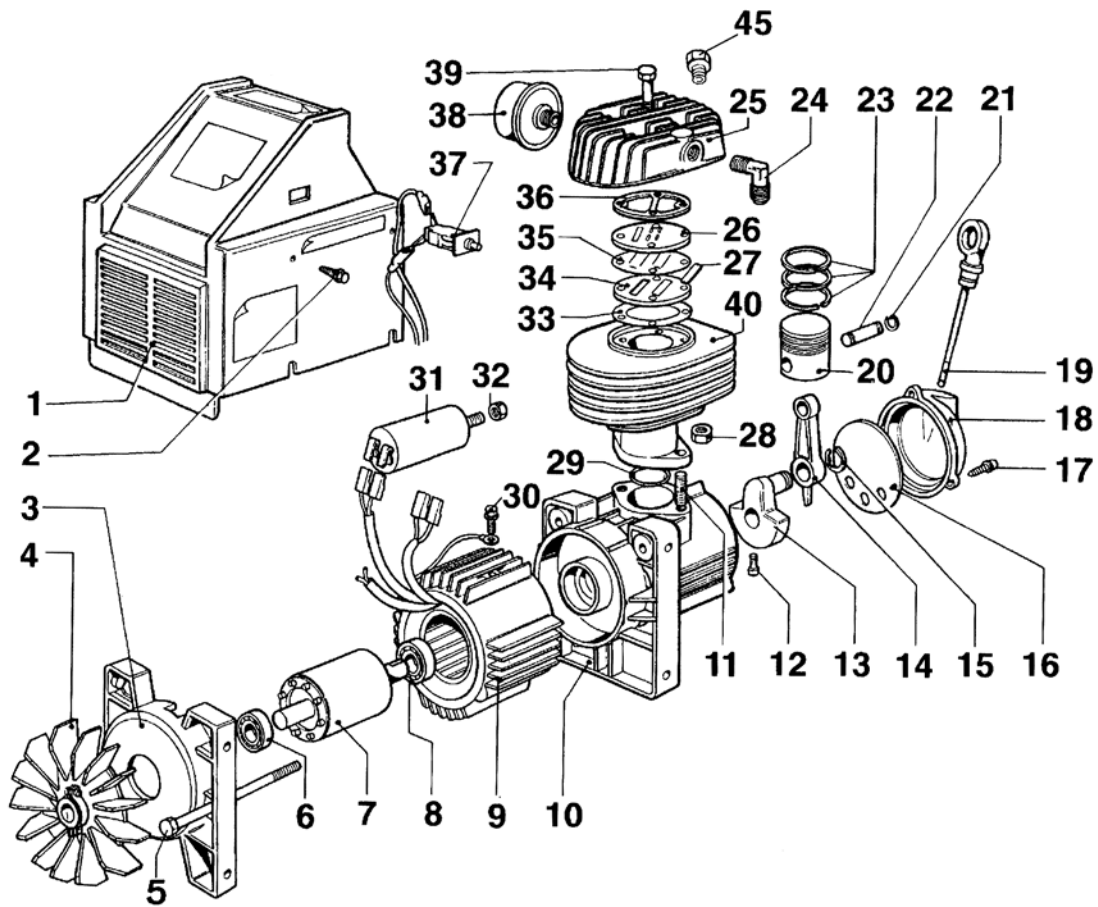
Ref. #	Part #	Description
029	P8297029	Cylinder Gasket
030	P8297030	Screw M4.2 x 6.5
031	P8297031	Condensator
032	P8297032	M8 Hex Nut
033	P8297033	Valve Gasket
034	P8297034	Valve Plate
035	P8297035	Valve Gasket
036	P8297036	Valve Gasket
037	P8297037	Micro Switch
038	P8297038	Air Filter
039	P8297039	Screw M6 x 45
040	P8297040	Cylinder 50mm Dia
041	P8297041	Connector
042	P8297042	Air Pressure
043	P8297043	Pressure Gauge
044	P8297044	Connector
045	P8297045	Pressure Gauge
046	P8297046	Cable
047	P8297047	Pressure Reducer
048	P8297048	Non-Return Valve
049	P8297049	Hose, Rilsan
050	P8297050	Connecting Pipe
051	P8297051	Tank 16 liter
053	P8297053	Sticker
054	P8297054	Screw
055	P8297055	Support
056	P8297056	Washer 6mm
057	P8297057	Drain Cock 1/4"
058	P8297058	Knob



# PARTS LIST G8298 AIR COMPRESSOR

Ref. #	Part #	Description
001	P8298001	Guard
002	P8298002	Screw M4.2 x 13
003	P8298003	Motor Flange
004	P8298004	Fan 155mm Dia.
005	P8298005	Screw M6 x 135
006	P8298006	Bearing 17 x 40 x 12
007	P8298007	Rotor
008	P8298008	Bearing 25 x 52 x 15
009	P8298009	Stator
010	P8298010	Compressor Casing
011	P8298011	Screw M8 x 35
012	P8298012	Screw M8 x 25
013	P8298013	Eccentric
014	P8298014	Connecting Rod
015	P8298015	Snap Ring 15mm
016	P8298016	Gasket
017	P8298017	Screw M4.2 x 13mm
018	P8298018	Casing Cover
019	P8298019	Oil Dipstick
020	P8298020	Piston
021	P8298021	Snap Ring 12mm
022	P8298022	Piston Pin
023	P8298023	Ring Set
023A	P8298023A	Ring Set
023B	P8298024B	Ring Set
024	P8298024	3/8" Elbow
025	P8298025	Cylinder Head
026	P8298026	Valve Plate
027	P8298027	Valve
028	P8298028	Nut M8
029	P8298029	Cylinder Gasket

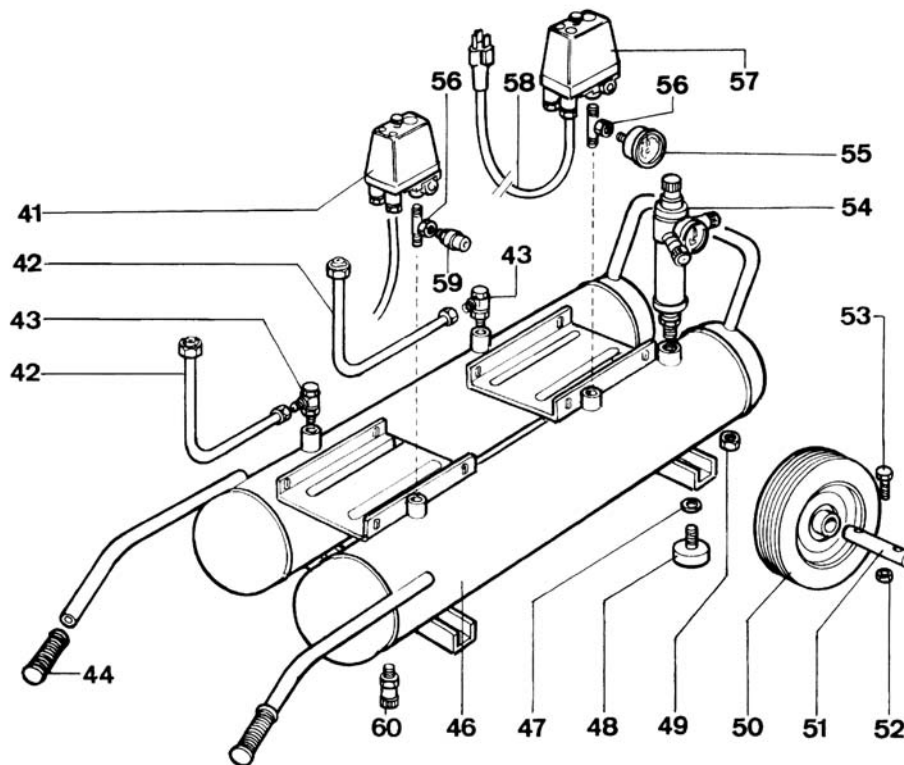
Ref. #	Part #	Description
030	P8298030	Screw M4.2 x 6.5
031	P8298031	Condensator
032	P8298032	M8 Hex Nut
033	P8298033	Valve Gasket
034	P8298034	Valve Plate
035	P8298035	Valve Gasket
036	P8298036	Valve Gasket
037	P8298037	Micro Switch
038	P8298038	Air Filter
039	P8298039	Screw M6 x 45
040	P8298040	Cylinder
041	P8298041	Drain Cock 1/4"
042	P8298042	Tank
043	P8298043	Knob
044	P8298044	Connector
045	P8298045	Valve 1/4"
046	P8298046	Non-Return Valve
047	P8298047	Connecting Pipe
049	P8298049	Screw
050	P8298050	Hex Nut M6
051	P8298051	Washer 6mm
052	P8298052	Support
053	P8298053	Screw M6 x 30
054	P8298054	Cable
055	P8298055	Pressure Gauge
056	P8298056	Pressure Reducer
057	P8298057	Hose, Rilsan
058	P8298058	Connector
059	P8297059	Air Pressure
060	P8297060	Pressure Gauge
061	P8297060	Connector



# PARTS LIST G8299 AIR COMPRESSOR

The G8299 utilizes the 2 HP motor from the G8297 and the 2.5 HP motor from the G8298. The part numbers are as referenced for those components on the previous pages.

Ref. #	Part #	Description
041	P8299041	Air Pressure
042	P8299042	Connecting Pipe
043	P8299043	Non-return valve
044	P8299044	Knob 22mm
046	P8299046	Tank Assembly
047	P8299047	Washer 8mm
048	P8299048	Support
049	P8299049	Hex Nut M8
050	P8299050	Wheel
051	P8299051	Pipe
052	P8299052	Hex Nut M6
053	P8299053	Screw
054	P8299054	Pressure Reducer
055	P8299055	Pressure Gauge
056	P8299056	Nipple 1/4"
057	P8299057	Air Pressure
058	P8299058	Cable
059	P8299059	Valve
060	P8299060	Drain Cock 1/4"





# TROUBLESHOOTING

SYMPTOM	POSSIBLE CAUSE	CORRECTIVE ACTION
Pump Motor Will Not Start	<ol style="list-style-type: none"> <li>1. Low voltage.</li> <li>2. Open circuit in motor, switch or cord.</li> <li>3. Tank already pressurized.</li> <li>4. Thermal overload switch.</li> </ol>	<ol style="list-style-type: none"> <li>1. Check power line for proper voltage.</li> <li>2. Inspect all lead connections on motor, switch and cord for loose or open connections.</li> <li>3. Motor will not start if tank pressure is too high.</li> <li>4. Thermal overload switch has tripped, wait for motor to cool, then reset switch by pressing red button.</li> </ol>
Pump Motor Starts; But Fuses Blow or Circuit Breakers Trip	<ol style="list-style-type: none"> <li>1. Short circuit in line cord or plug.</li> <li>2. Short circuit in motor or loose connections.</li> <li>3. Incorrect fuses or circuit breakers in power line.</li> </ol>	<ol style="list-style-type: none"> <li>1. Inspect cord or plug for damaged insulation and shorted wires.</li> <li>2. Inspect all connections on motor for loose or shorted terminals or worn insulation.</li> <li>3. Install correct fuses or circuit breakers.</li> </ol>
Low Pressure At The Tool	<ol style="list-style-type: none"> <li>1. Air leaks in flexible hoses.</li> <li>2. Pressure gauge bad</li> <li>3. Pressure regulator bad.</li> </ol>	<ol style="list-style-type: none"> <li>1. Check air hoses and all connections for leaks.</li> <li>2. Check pressure in line with known good gauge.</li> <li>3. Adjust pressure regulator, if no improvement inspect regulator for leaks or replacement.</li> </ol>
Low Pressure At The Tanks	<ol style="list-style-type: none"> <li>1. Air leaks in tanks or delivery pipes.</li> <li>2. Drain cock open</li> <li>3. Safety valve releasing below 150 PSI.</li> <li>4. Air filter clogged.</li> <li>5. Gaskets leaking</li> <li>6. Worn rings.</li> </ol>	<ol style="list-style-type: none"> <li>1. Check air tanks, pipes and all connections for leaks.</li> <li>2. Close drain cock.</li> <li>3. Replace safety valve.</li> <li>4. Inspect and clean air filter.</li> <li>5. Check gaskets on cylinder head assembly, repair or replace as needed.</li> <li>6. Inspect and replace pump piston rings.</li> </ol>
Compressor Knocking	<ol style="list-style-type: none"> <li>1. Improper oil level.</li> <li>2. Air filter clogged.</li> <li>3. Piston assembly loose.</li> </ol>	<ol style="list-style-type: none"> <li>1. Check oil level and add oil.</li> <li>2. Inspect and clean air filter.</li> <li>3. Inspect and repair piston and connecting rod.</li> </ol>
Air Leaks From Pressure Switch	<ol style="list-style-type: none"> <li>1. Faulty check valve.</li> <li>2. Faulty pressure switch.</li> </ol>	<ol style="list-style-type: none"> <li>1. Clean dirt or debris from rubber membrane of check valve after removing top nut.</li> <li>2. Repair or replace pressure switch.</li> </ol>
Air Is Dirty Or Has Excessive Moisture	<ol style="list-style-type: none"> <li>1. Tanks not drained.</li> <li>2. Delivery pipes are dirty.</li> </ol>	<ol style="list-style-type: none"> <li>1. Open drain cocks on both tanks and make certain all condensation water is drained out.</li> <li>2. Remove delivery pipes, clean out and replace.</li> </ol>
Motor Runs Hot	<ol style="list-style-type: none"> <li>1. Cooling Fins Dirty.</li> <li>2. Air filter clogged.</li> </ol>	<ol style="list-style-type: none"> <li>1. Clean cylinder head fins and also remove any accumulated dirt or grease from motor area.</li> <li>2. Inspect and clean air filter.</li> </ol>
Pressure Relief Valve Stays Open And Motor Won't Stop Running	<ol style="list-style-type: none"> <li>1. Faulty pressure switch, unit is trying to overpressure the tank</li> <li>2. Faulty pressure relief valve.</li> </ol>	<ol style="list-style-type: none"> <li>1. Turn compressor off, unplug from power supply, drain tank. DO NOT USE until switch is repaired or replaced.</li> <li>2. Relief valve is relieving pressure too early, test pressure relief and repair or replace,</li> </ol>

# WARRANTY AND RETURNS

---

---

Grizzly Industrial, Inc. warrants every product it sells for a period of **1 year** to the original purchaser from the date of purchase. This warranty does not apply to defects due directly or indirectly to misuse, abuse, negligence, accidents, repairs or alterations or lack of maintenance. This is Grizzly's sole written warranty and any and all warranties that may be implied by law, including any merchantability or fitness, for any particular purpose, are hereby limited to the duration of this written warranty. We do not warrant or represent that the merchandise complies with the provisions of any law or acts unless the manufacturer so warrants. In no event shall Grizzly's liability under this warranty exceed the purchase price paid for the product and any legal actions brought against Grizzly shall be tried in the State of Washington, County of Whatcom.

We shall in no event be liable for death, injuries to persons or property or for incidental, contingent, special, or consequential damages arising from the use of our products.

To take advantage of this warranty, contact us by mail or phone and give us all the details. We will then issue you a "Return Number", which must be clearly posted on the outside as well as the inside of the carton. We will not accept any item back without this number. Proof of purchase must accompany the merchandise.

The manufacturers reserve the right to change specifications at any time because they constantly strive to achieve better quality equipment. We make every effort to ensure that our products meet high quality and durability standards and we hope you never need to use this warranty.

Please feel free to write or call us if you have any questions about the machine or the manual.

Thank you again for your business and continued support. We hope to serve you again soon.

# WARRANTY CARD

Name \_\_\_\_\_  
Street \_\_\_\_\_  
City \_\_\_\_\_ State \_\_\_\_\_ Zip \_\_\_\_\_  
Phone Number \_\_\_\_\_ E-Mail \_\_\_\_\_ FAX \_\_\_\_\_  
MODEL # \_\_\_\_\_ Order # \_\_\_\_\_

The following information is given on a voluntary basis. It will be used for marketing purposes to help us develop better products and services. Of course, all information is strictly confidential.

- How did you learn about us?  
 Advertisement                       Friend  
 Catalog                                 Card Deck  
 World Wide Web  
 Other \_\_\_\_\_
- Which of the following magazines do you subscribe to.  
 American Woodworker             Practical Homeowner  
 Cabinetmaker                       Shop Notes  
 Family Handyman                 Today's Homeowner  
 Fine Homebuilding                WOOD  
 Fine Woodworking                Wooden Boat  
 Home Handyman                  Woodshop News  
 Journal of Light Construction    Woodsmith  
 Old House Journal                Woodwork  
 Popular Mechanics                Woodworker  
 Popular Science                   Woodworker's Journal  
 Popular Woodworking            Workbench  
 Other \_\_\_\_\_
- Which of the following woodworking/remodeling shows do you watch?  
 Backyard America                 The New Yankee Workshop  
 Home Time                          This Old House  
 The American Woodworker       Woodwright's Shop  
 Other \_\_\_\_\_
- What is your annual household income?  
 \$20,000-\$29,999                  \$60,000-\$69,999  
 \$30,000-\$39,999                  \$70,000-\$79,999  
 \$40,000-\$49,999                  \$80,000-\$89,999  
 \$50,000-\$59,999                  \$90,000 +
- What is your age group?  
 20-29                                 50-59  
 30-39                                 60-69  
 40-49                                 70 +
- How long have you been a woodworker?  
 0 - 2 Years                         8 - 20 Years  
 2 - 8 Years                         20+ Years
- How would you rank your woodworking skills?  
 Simple                                Advanced  
 Intermediate                        Master Craftsman
- What stationary woodworking tools do you own? Check all that apply.  
 Air Compressor                   Panel Saw  
 Band Saw                           Planer  
 Drill Press                         Power Feeder  
 Drum Sander                       Radial Arm Saw  
 Dust Collector                   Shaper  
 Horizontal Boring Machine       Spindle Sander  
 Jointer                               Table Saw  
 Lathe                                 Vacuum Veneer Press  
 Mortiser                           Wide Belt Sander  
 Other \_\_\_\_\_
- How many of your woodworking machines are Grizzly? \_\_\_\_\_
- Which benchtop tools do you own? Check all that apply.  
 1" x 42" Belt Sander                6" - 8" Grinder  
 5" - 8" Drill Press                 Mini Lathe  
 8" Table Saw                       10" - 12" Thickness Planer  
 8" - 10" Bandsaw                 Scroll Saw  
 Disc/Belt Sander                  Spindle/Belt Sander  
 Mini Jointer  
 Other \_\_\_\_\_
- How many of the machines checked above are Grizzly? \_\_\_\_\_
- Which portable/hand held power tools do you own? Check all that apply.  
 Belt Sander                         Orbital Sander  
 Biscuit Joiner                    Palm Sander  
 Circular Saw                       Portable Planer  
 Detail Sander                     Saber Saw  
 Drill/Driver                       Reciprocating Saw  
 Miter Saw                          Router  
 Other \_\_\_\_\_
- What machines/supplies would you like Grizzly Industrial to carry?  
 12" Table Saw                     Radial Arm Saw  
 12" Jointer                        Panel Saw  
 Combination Planer/Jointer    Brass Hardware  
 Paint & Finishing Supplies     Lumber  
 Contractor's Supplies  
 Other \_\_\_\_\_
- What new accessories would you like Grizzly Industrial to carry?  
 Builders Hardware                Hand Tools  
 Fasteners                          Wood Components  
 Other \_\_\_\_\_
- What other companies do you purchase your tools and supplies from?  
\_\_\_\_\_  
\_\_\_\_\_
- Do you think your purchase represents good value?  
 Yes                                    No
- Would you recommend Grizzly Imports to a friend?  
 Yes                                    No
- Would you allow us to use your name as a reference for Grizzly customers in your area? **Note: We never use names more than three times.**  
 Yes                                    No
- Comments: \_\_\_\_\_  
\_\_\_\_\_  
\_\_\_\_\_  
\_\_\_\_\_

FOLD ALONG DOTTED LINE

---

---

---



**GRIZZLY INDUSTRIAL, INC.  
P.O. BOX 2069  
BELLINGHAM, WA 98227-2069**

FOLD ALONG DOTTED LINE

Send a Grizzly Catalog to a friend:

Name _____
Street _____
City _____ State _____ Zip _____

TAPE ALONG EDGES--PLEASE DO NOT STAPLE

## Free Manuals Download Website

<http://myh66.com>

<http://usermanuals.us>

<http://www.somanuals.com>

<http://www.4manuals.cc>

<http://www.manual-lib.com>

<http://www.404manual.com>

<http://www.luxmanual.com>

<http://aubethermostatmanual.com>

Golf course search by state

<http://golfingnear.com>

Email search by domain

<http://emailbydomain.com>

Auto manuals search

<http://auto.somanuals.com>

TV manuals search

<http://tv.somanuals.com>