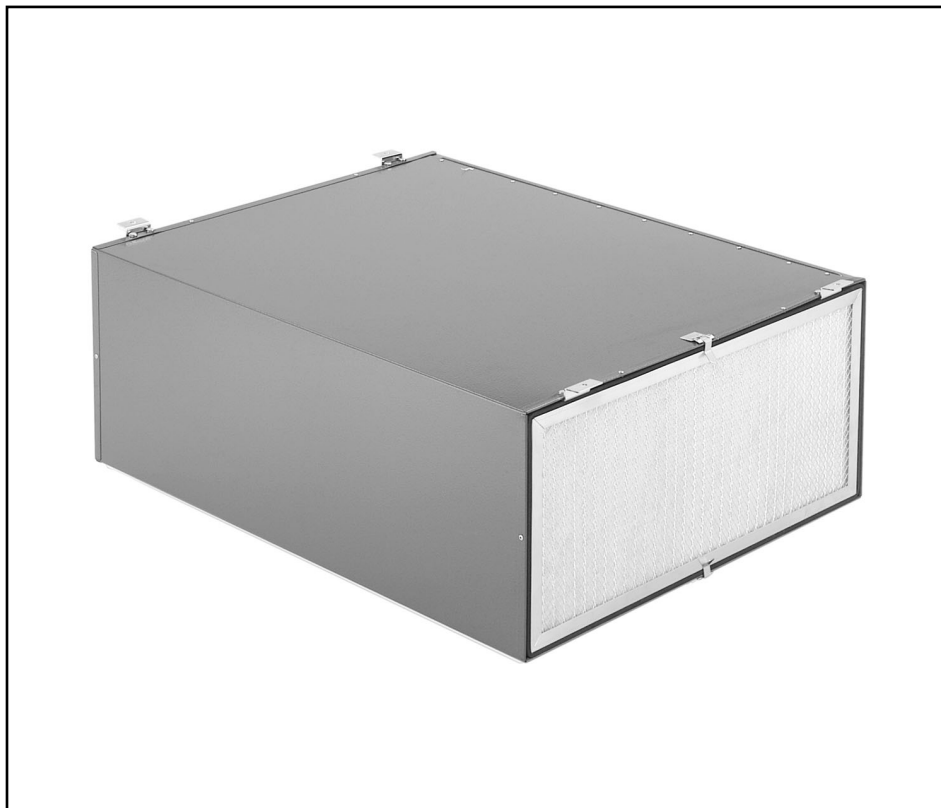




Heavy-Duty Hanging Air Filter

MODEL G5955

INSTRUCTION MANUAL



COPYRIGHT © JANUARY, 2004 BY GRIZZLY INDUSTRIAL, INC.
**WARNING: NO PORTION OF THIS MANUAL MAY BE REPRODUCED IN ANY SHAPE
OR FORM WITHOUT THE WRITTEN APPROVAL OF GRIZZLY INDUSTRIAL, INC.**
PRINTED IN TAIWAN

WARNING

Some dust created by power sanding, sawing, grinding, drilling, and other construction activities contains chemicals known to the State of California to cause cancer, birth defects or other reproductive harm. Some examples of these chemicals are:

- Lead from lead-based paints.
- Crystalline silica from bricks, cement, and other masonry products.
- Arsenic and chromium from chemically treated lumber.

Your risk from these exposures varies, depending on how often you do this type of work. To reduce your exposure to these chemicals: work in a well ventilated area, and work with approved safety equipment, such as those dust masks that are specially designed to filter out microscopic particles.

Table of Contents

SECTION 1: SAFETY	2
Safety Instructions for Power Tools	2
Additional Safety for Hanging Air Filters	4
SECTION 2: GENERAL INFORMATION	5
Commentary	5
Machine Data	5
SECTION 3: CIRCUIT REQUIREMENTS	6
110V Operation	6
SECTION 4: SET UP	7
Unpacking	7
Inventory.....	7
Hardware Recognition Chart	8
Remote Control	9
Remote Tuning.....	9
Site Planning	10
Filter Capacity	11
Mounting Preparation.....	11
Mounting Brackets	12
Mounting Cleats	12
SECTION 5: OPERATIONS	14
Operations	14
SECTION 6: MAINTENANCE	15
Cleaning the Filters	15
SECTION 7: REFERENCE INFO	16
General.....	16
Available Accessories	16
G5955 Wire Diagram	17
G5955 Parts Breakdown	18
G5955 Parts List	19
WARRANTY AND RETURNS	20

SECTION 1: SAFETY

WARNING

For Your Own Safety Read Instruction Manual Before Operating This Equipment

The purpose of safety symbols is to attract your attention to possible hazardous conditions. This manual uses a series of symbols and signal words which are intended to convey the level of importance of the safety messages. The progression of symbols is described below. Remember that safety messages by themselves do not eliminate danger and are not a substitute for proper accident prevention measures.



Indicates an imminently hazardous situation which, if not avoided, WILL result in death or serious injury.



Indicates a potentially hazardous situation which, if not avoided, COULD result in death or serious injury.



Indicates a potentially hazardous situation which, if not avoided, MAY result in minor or moderate injury. It may also be used to alert against unsafe practices.

NOTICE

This symbol is used to alert the user to useful information about proper operation of the equipment.

WARNING

Safety Instructions for Power Tools

1. **KEEP GUARDS IN PLACE** and in working order.
2. **REMOVE ADJUSTING KEYS AND WRENCHES.** Form a habit of checking to see that keys and adjusting wrenches are removed from tool before turning on.
3. **KEEP WORK AREA CLEAN.** Cluttered areas and benches invite accidents.
4. **NEVER USE IN DANGEROUS ENVIRONMENTS.** DO NOT use power tools in damp or wet locations, or where any flammable or noxious fumes may exist. Keep work area well lighted.
5. **KEEP CHILDREN AND VISITORS AWAY.** All children and visitors should be kept at a safe distance from work area.
6. **MAKE WORKSHOP CHILD PROOF** with padlocks, master switches, or by removing starter keys.
7. **NEVER FORCE TOOL.** It will do the job better and safer at the rate for which it was designed.
8. **USE RIGHT TOOL.** DO NOT force tool or attachment to do a job for which it was not designed.

WARNING

Safety Instructions for Power Tools

9. **USE PROPER EXTENSION CORD.** Make sure your extension cord is in good condition. Conductor size should be in accordance with the chart below. The amperage rating should be listed on the motor or tool nameplate. An undersized cord will cause a drop in line voltage resulting in loss of power and overheating. Your extension cord must also contain a ground wire and plug pin. Always repair or replace extension cords if they become damaged.

Minimum Gauge for Extension Cords

AMP RATING	LENGTH		
	25ft	50ft	100ft
0-6	16	16	16
7-10	16	16	14
11-12	16	16	14
13-16	14	12	12
17-20	12	12	10
21-30	10	10	No

10. **WEAR PROPER APPAREL.** DO NOT wear loose clothing, gloves, neckties, rings, bracelets, or other jewelry which may get caught in moving parts. Non-slip footwear is recommended. Wear protective hair covering to contain long hair.
11. **ALWAYS USE SAFETY GLASSES.** Also use face or dust mask if cutting operation is dusty. Everyday eyeglasses only have impact resistant lenses, they are NOT safety glasses.
12. **SECURE WORK.** Use clamps or a vise to hold work when practical. It is safer than using your hand and frees both hands to operate tool.
13. **DO NOT OVERREACH.** Keep proper footing and balance at all times.
14. **MAINTAIN TOOLS WITH CARE.** Keep tools sharp and clean for best and safest performance. Follow instructions for lubricating and changing accessories.

15. **USE RECOMMENDED ACCESSORIES.** Consult the instruction manual for recommended accessories. The use of improper accessories may cause risk of injury.
16. **REDUCE THE RISK OF UNINTENTIONAL STARTING.** On machines with magnetic contact starting switches there is a risk of starting if the machine is bumped or jarred. Always disconnect from power source before adjusting or servicing. Make sure switch is in OFF position before reconnecting.
17. **MANY WOODWORKING TOOLS CAN "KICKBACK" THE WORKPIECE** toward the operator if not handled properly. Know what conditions can create "kickback" and know how to avoid them. Read the manual accompanying the machine thoroughly.
18. **CHECK DAMAGED PARTS.** Before further use of the tool, a guard or other part that is damaged should be carefully checked to determine that it will operate properly and perform its intended function. Check for alignment of moving parts, binding of moving parts, breakage of parts, mounting, and any other conditions that may affect its operation. A guard or other part that is damaged should be properly repaired or replaced.
19. **NEVER LEAVE TOOL RUNNING UNATTENDED. TURN POWER OFF.** DO NOT leave tool until it comes to a complete stop.
20. **NEVER OPERATE A MACHINE WHEN TIRED, OR UNDER THE INFLUENCE OF DRUGS OR ALCOHOL.** Full mental alertness is required at all times when running a machine.
21. **NEVER ALLOW UNSUPERVISED OR UNTRAINED PERSONNEL TO OPERATE THE MACHINE.** Make sure any instructions you give in regards to the operation of the machine are approved, correct, safe, and clearly understood.

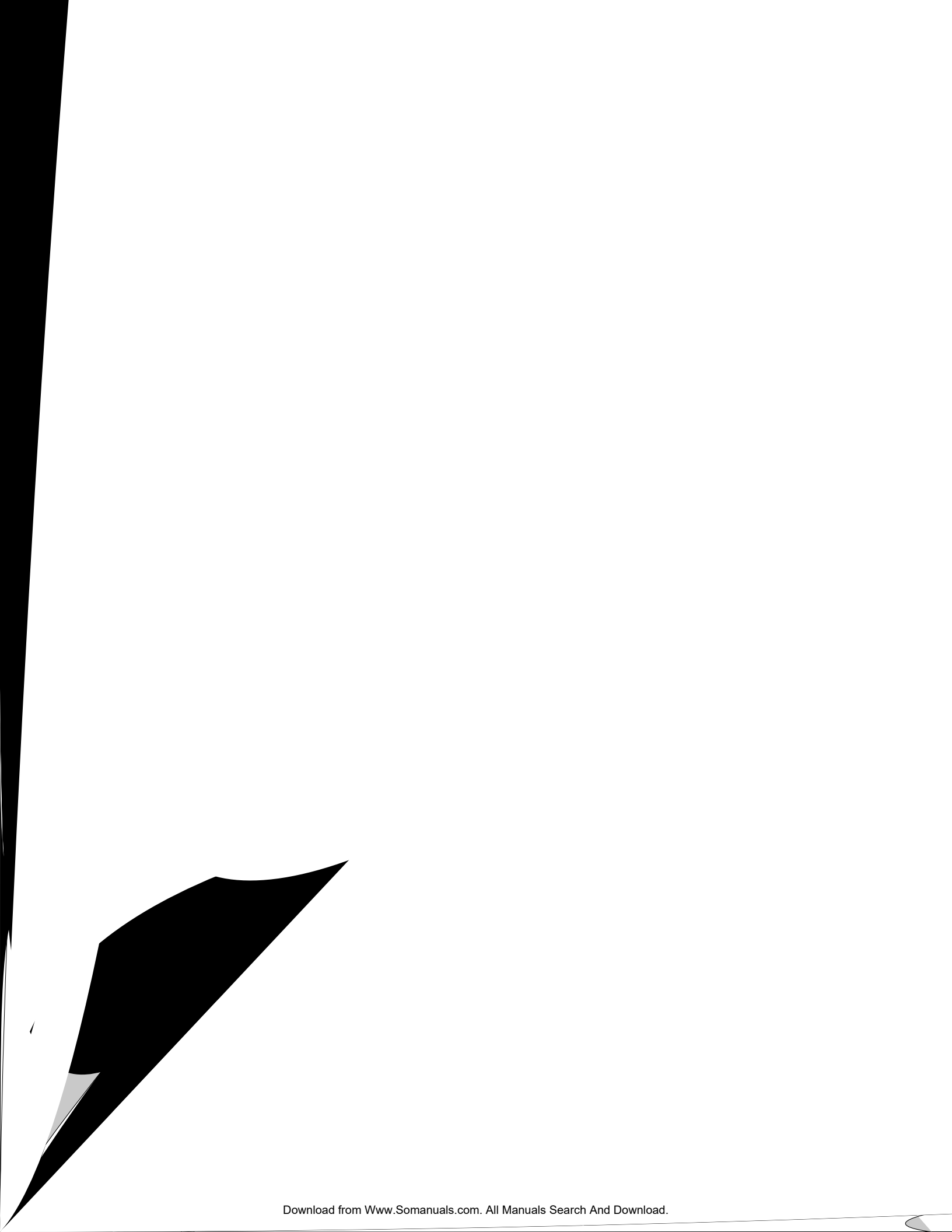
WARNING

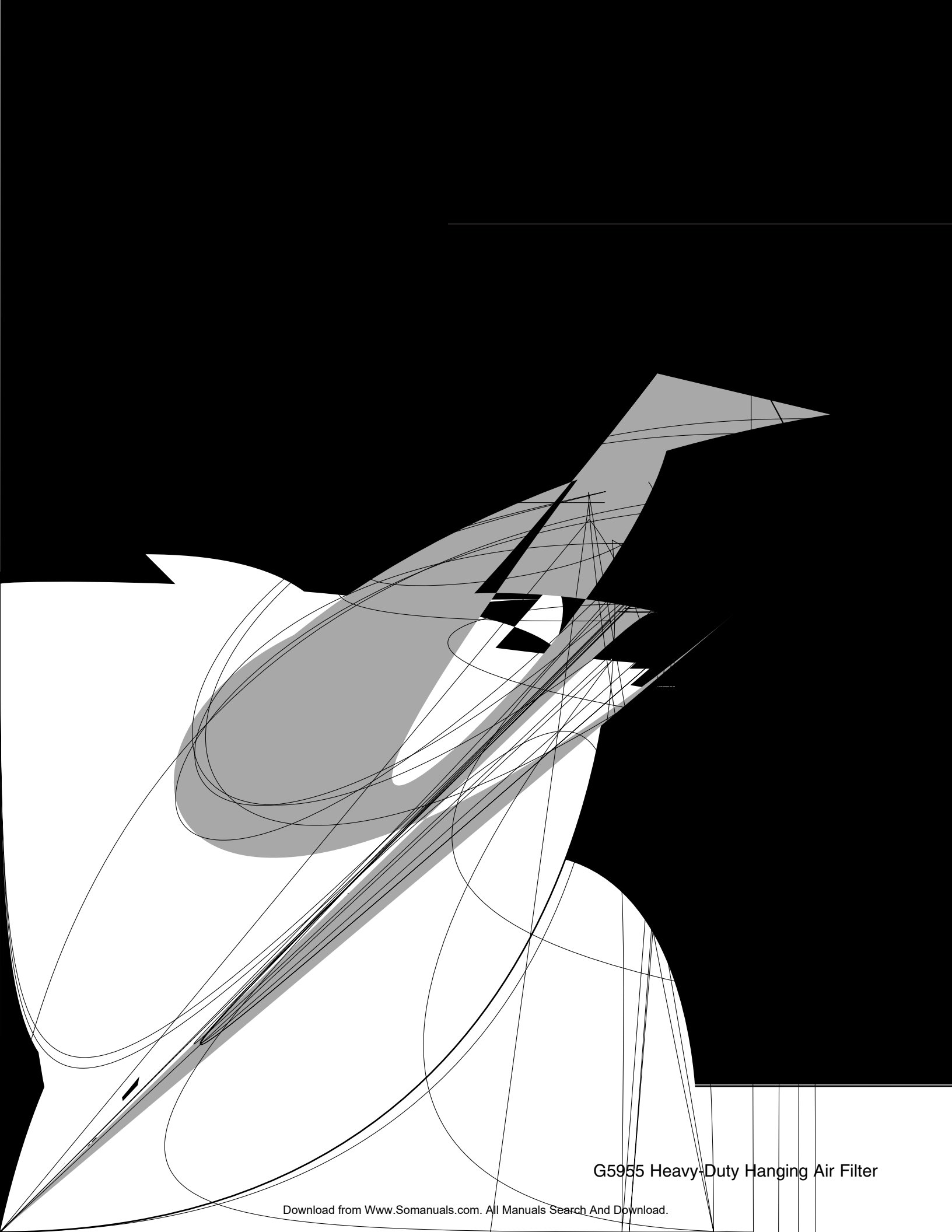
Additional Safety for Hanging Air Filters

- 1. THIS HANGING AIR FILTER IS TO BE USED FOR WOOD DUST COLLECTION ONLY.** DO NOT use this machine to filter or collect liquids (especially flammables), metal shavings, lead paint, or asbestos. DO NOT use this machine to dissipate smoke, fumes, or when spraying paint.
- 2. UNPLUG MACHINE BEFORE REMOVING FILTER.** Removing filter exposes the impeller, which may cause serious injury during contact if the machine is connected to the power source.
- 3. PROBLEMS CONCERNED WITH ANY MOVING PARTS** or accessories must be investigated and corrected with the power disconnected and after everything has come to a complete stop.
- 4. SUSPENDED DUST PARTICLES IN CONJUNCTION WITH AN IGNITION SOURCE,** may cause an explosion. Do not operate this machine in areas where explosion risks would be high if dust were dispersed into the area. Areas of high risk include, but are not limited to, areas near pilot lights or open flames.
- 5. AVOID COLLECTING ANY MATERIAL THAT IS BURNING OR SMOKING,** this includes matches, cigarettes, and hot ashes.
- 6. ALWAYS OPERATE THE MACHINE WITH THE FILTER IN PLACE.** When the filter is removed, the impeller is exposed to the unfiltered opening.
- 7. WHEN EMPTYING DUST FROM THE COLLECTION BAGS,** wear a respirator and safety glasses. Empty dust into an approved container and dispose of properly.
- 8. IF AT ANY TIME YOU ARE EXPERIENCING DIFFICULTIES PERFORMING THE INTENDED OPERATION,** stop using the machine! Then contact our service department or ask a qualified expert how the operation should be performed.
- 9. BE AWARE THAT CERTAIN WOODS MAY CAUSE AN ALLERGIC** reaction in people and animals, especially when exposed to fine dust. Make sure you know what type of wood dust you will be exposed to in case there is a possibility of an allergic reaction. Always wear an ANSI approved respirator!
- 10. THIS MACHINE WILL NOT PROTECT AGAINST LEAD-PAINT DUST OR ASBESTOS FIBERS.** These materials must be collected with special equipment because of the high hazard to human health. DO NOT attempt to collect these materials with this machine.

CAUTION

No list of safety guidelines can be complete. Every shop environment is different. Always consider safety first, as it applies to your individual working conditions. Use this and other machinery with caution and respect. Failure to do so could result in serious personal injury, damage to equipment or poor work results.





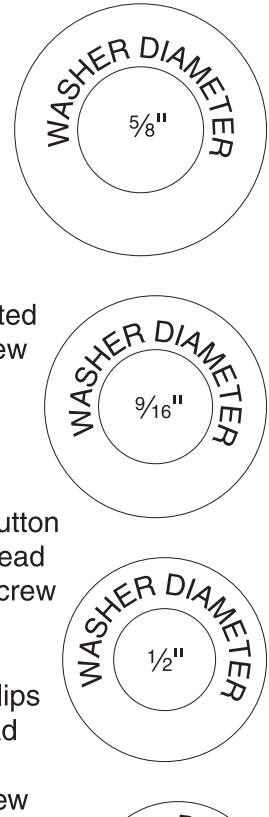
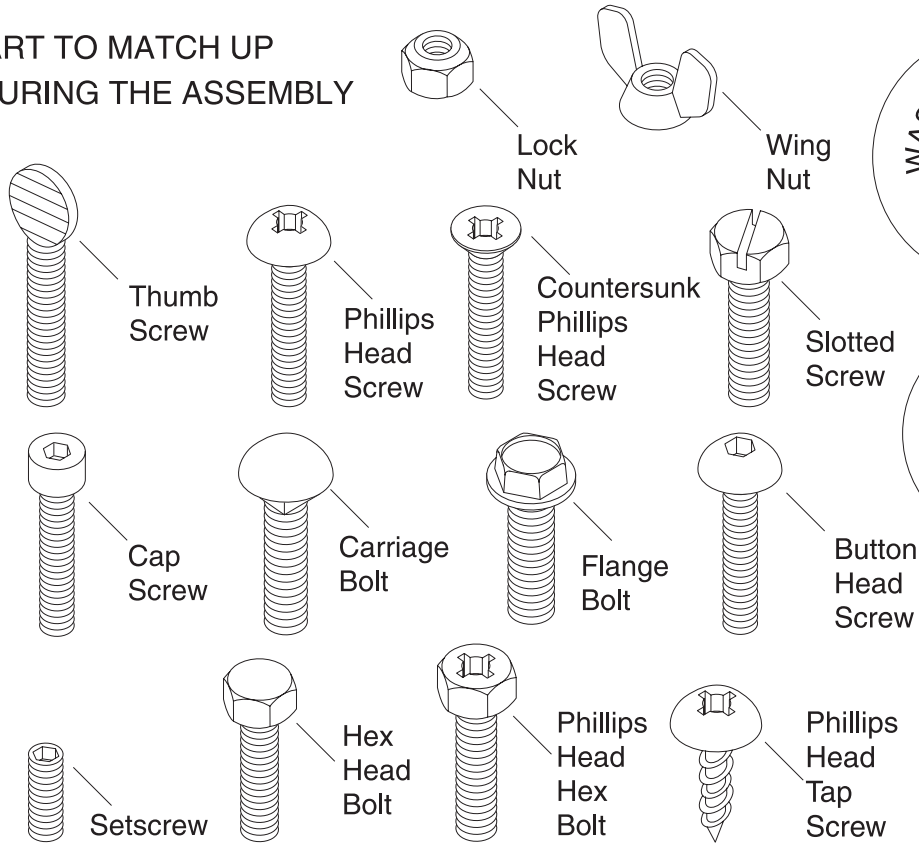
G5955 Heavy-Duty Hanging Air Filter

Hardware Recognition Chart

USE THIS CHART TO MATCH UP
HARDWARE DURING THE ASSEMBLY
PROCESS!

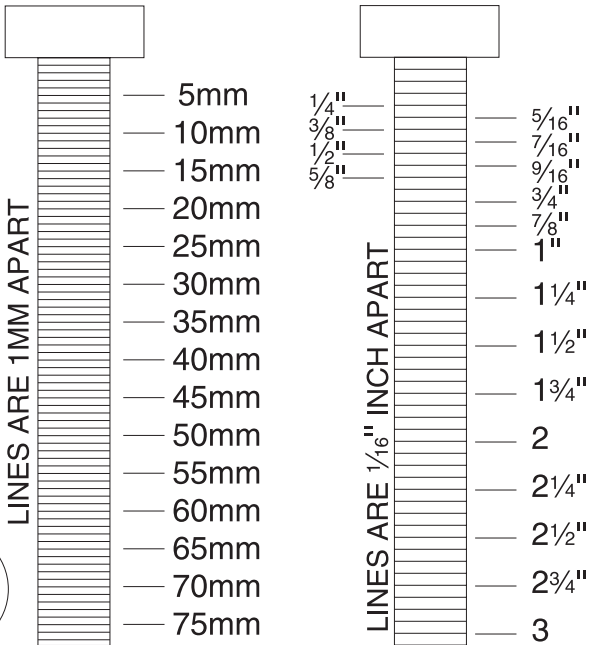
MEASURE BOLT DIAMETER BY PLACING INSIDE CIRCLE

- #10
- 1/4"
- 5/16"
- 3/8"
- 7/16"
- 1/2"
- 5/8"

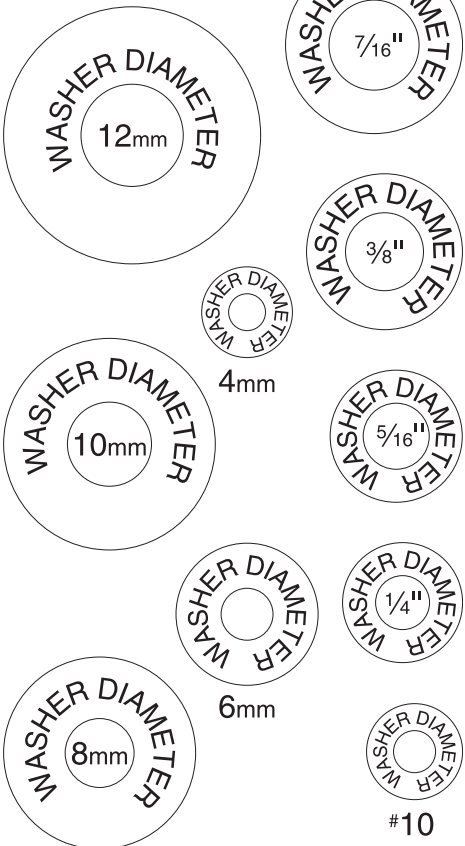


MEASURE BOLT DIAMETER BY THE INSIDE DIAMETER

- 4mm
- 6mm
- 8mm
- 10mm
- 12mm
- 16mm



WASHERS ARE MEASURED BY THE INSIDE DIAMETER



Remote Control

If you purchased a G5956 Remote Control for your hanging air filter, follow these instructions for installation. If not, please skip ahead to the next page.

1. **Make sure the hanging air filter is unplugged!**
2. Remove the 4 screws and detach the control switch panel from the back of the hanging air filter.
3. Attach the remote control receiver to the switch panel using the 2 screws and nuts provided. Please refer to **Figure 3**.

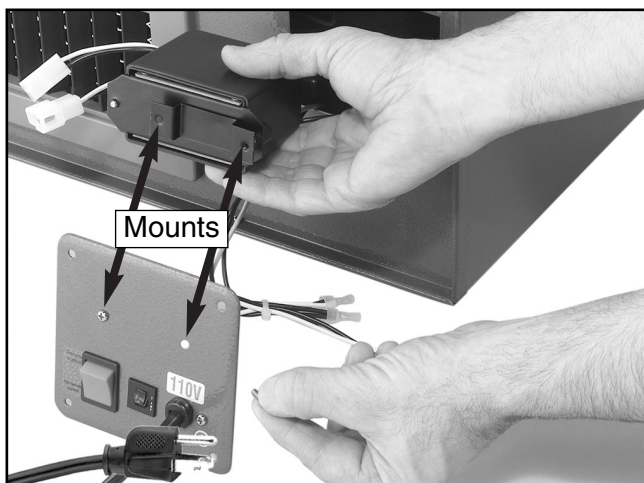


Figure 3. Mounting remote control receiver.

4. Locate the 2 cables with sockets on the ends inside the air filter and connect them to the cables from the remote control receiver. The ends of these cables are unique and can only be connected one way.
5. Return the switch panel to the air filter and secure with the 4 screws. Make sure the switch is set to "Remote Control."
6. Open the battery compartment on the transmitter and connect the battery to the terminals inside.
7. Connect power to the air filter.

8. Push the *ON* and *OFF* button on the transmitter.

Your hanging air filter should start and stop without any hesitation and without having to push the buttons more than once. If it doesn't start at all, disconnect power to the air filter, check all connections, ensure the switch is set to "Remote Control," check the circuit breaker on the switch panel and make sure the battery is connected in the transmitter. (The light at the top will come on when the *ON* or *OFF* button is pressed.) Connect power to the air filter and try again. If it still does not work refer to the next section.



Remote Tuning

The remote control uses radio frequencies to send signals from the transmitter to the receiver. Sometimes it is necessary to tune the transmitter to strengthen the signal.

1. **Remove the battery from the transmitter.**
2. Remove the phillips head screw from the belt loop bracket on the transmitter and the 2 small screws from its back cover. One is located in the hole used by the belt loop screw. Remove the back cover.
3. Carefully remove the printed circuit board (pcb) from the inside of the case.
4. Looking at the front the the pcb you will find the *ON* and *OFF* buttons and at the top, a blue tuning dial with an X slotted screw in its middle. Turn this screw $\frac{1}{8}$ th of a turn counter-clockwise.
5. Carefully place the pcb into the case, snap on the back cover and connect the battery.
6. Press the *ON* and *OFF* button. If the air filter turns on and off with every push of each button no further adjustment is necessary. If not, repeat all the **steps** above.



Site Planning

Site planning is an important step to maximize the effectiveness of the hanging air filter. Air circulation must be thought out and all obstructions to the air path considered.

Think of air circulation in terms of the circular motion of the air before and after the air filter. The air entering the filter is exhausted at a higher velocity than that entering it. Consequently, the exhaust can have an effect on the pattern of circulation. For this reason the G5955 Hanging Air Filter is supplied with a directional vent which allows the user to direct the flow of circulation. However, while this will optimize a good layout as in **Figure 4**, it will have a limited effect when the hanging air filter is placed incorrectly in the room (**Figure 5**). When placed too close to obstructions, the velocity of the air is lost and circulation is diminished. Below is a list of things to keep in mind when selecting a spot for the air filter.

- Study your shop layout and try to determine the best location for the hanging air filter. Air flow that is obstructed will cause a short cycle effect producing unsatisfactory results. There must be a clearance of at least 12" from any obstructions in front and back of the unit.
- Try to place the air filter in front of high dust producers like sanders or near areas where sanding will take place.
- Do not place the hanging air filter where garage doors may pass closely or where it may impede transport or movement any other object.
- Try to place the unit where it is easy to access for turning it on, cleaning and maintenance.

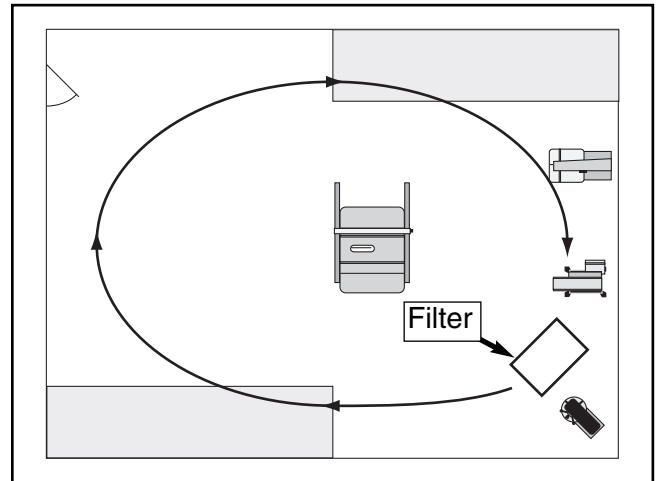


Figure 4. Good circulation. The air filter placement promotes circular air motion.

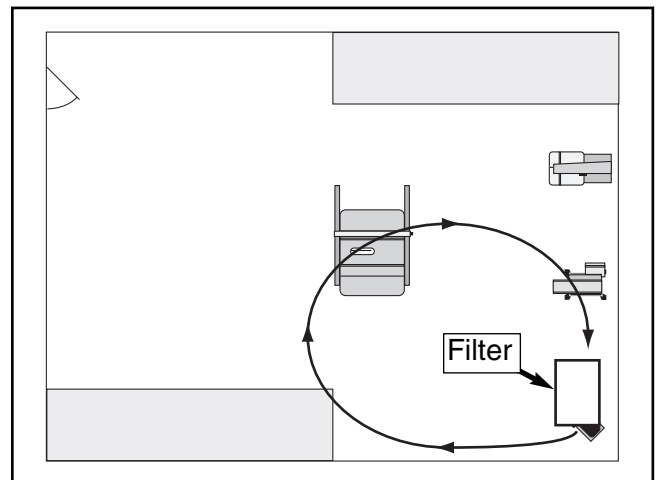


Figure 5. Poor circulation. Placed too close to the wall, the air circulation short cycles leaving much of the room unfiltered.



Filter Capacity

The G5955 Hanging Air Filter is designed to recirculate the entire volume of air in a room measuring 25' X 25' X 8' approximately 6 times in one hour. It is recommended that the volume of air in your room be recirculated 6-8 times every hour for best filtering effect. Hence, rooms with a larger volume than the one listed above will require 2 or more air filters to achieve proper filtering. The following is a formula for calculating the recirculating rate for a given volume:

Step 1. Calculate how long it takes to circulate all the volume of air in a room with the hanging air filter; by dividing 60 minutes by the amount of time it takes to circulate the volume once. The rate of air movement for the air filter is 510 cubic feet per minute.

$$\frac{W \times L \times H}{510} = \text{Minutes for circulating 1 time}$$

Step 2. Calculate how many times per hour the volume is recirculated through the hanging air filter. The result is listed as times per hour.

$$\text{Step 1: } \frac{25' \times 25' \times 8'}{510} = \frac{5000}{510} = 9.8 \text{ Minutes}$$

$$\text{Step 2: } \frac{60}{9.8} = 6.1 \text{ Times per Hour}$$



Mounting Preparation

It is very important that the hanging air filter be supported properly. Please use these guidelines when preparing to mount the unit:

- For the sake of clarity, the face where the mounting brackets attach will be called the top throughout the manual. The hanging air filter can be mounted on its side, top or at an angle but it can only be secured by the mounting brackets on its top.
- Make sure that an electrical outlet with a properly grounded receptacle is available at the location you choose.
- The hanging air filter must be supported by joists or studs. These joists/studs should be capable of supporting at least 100 lbs. Do Not attach the hanging air filter to sheet rock, press board or paneling. These cannot support the filter and it may fall.
- Avoid hitting your head on the hanging air filter. Make sure there is enough clearance between the unit and the ground; especially important in a basement. If possible, position the air filter in an area that has little foot traffic but still offers easy access to the switch and filters.



Mounting Brackets

Components and Hardware Needed	Qty
Mounting Brackets	4
Hex Bolts 1/4"-20 X 1/4"	8

Tools Needed	Qty
Wrench 10mm	1

To attach the mounting brackets:

1. Attach one mounting bracket to each corner of the hanging air filter using the 8 hex bolts and the holes on the edge of the box. Make sure to mount each bracket below the edge of the box as in **Figure 6**. This will ensure it is properly supported.

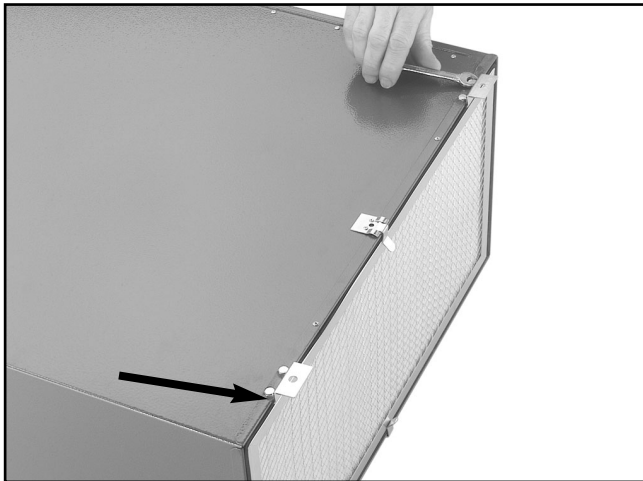
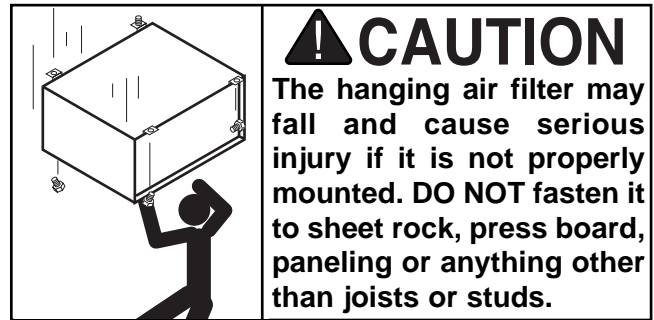
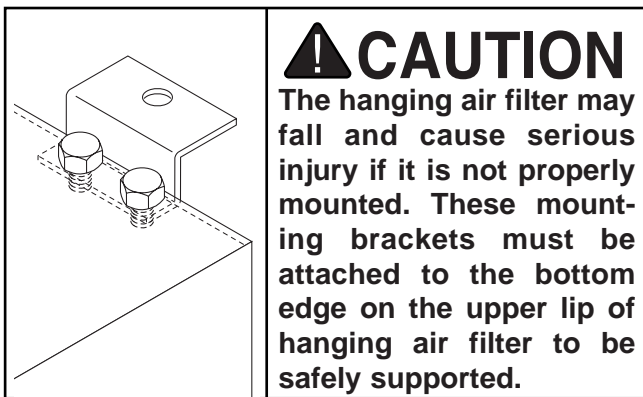


Figure 6. Mounting brackets attached.



Mounting Cleats

Components and Hardware Needed	Qty
2" x 4" Stock	5'-8'
3" - #10 Deck Screws	12

Tools Needed	Qty
Saw	1
Drill	1
Phillips Screw Driver	1
1/4" Drill Bit	1

The following describes mounting the hanging air filter on the ceiling. Spacing for studs will be different and adjustments to the lengths listed here can be made to accommodate hanging the unit on a wall or at an angle on the ceiling.

The spacing for the mounting brackets on the hanging air filter is 18" and 31" on centers. The air filter must be attached to joists or studs. To do so, attach cleats across the joist/stud and attach the hanging air filter to the cleats. Please refer to **Figures 7 and 8** while following these instructions:

1. If the ceiling has sheet rock or some other covering on it, locate the joists with a stud finder and mark their centers.
2. Make reference marks on the joists or ceiling for the cleat layout at either 18" or 31" centers.

3. Depending on the arrangement you have chosen, cut 2 each of either 33" or 28" length 2X4 cleats. The 2X4's are cut a little longer than the air filter/joists to guard against splitting the ends when fasteners are driven through them.
4. Measure the distance between the centers of your joists and drill 4 pilot holes into the cleats to match, (2 on each end) for the mounting screws. Try to keep the hole placement even on the cleats so that the weight of the hanging air cleaner is evenly distributed.
5. Place the cleats on the reference marks and fasten them securely with 3" long #10 deck screws. Use longer screws if you have to drive them through the additional thickness of sheet rock or other covering.
6. Get someone to help you! With one or more persons supporting the weight of the air filter, fasten it to the cleats using deck screws through each of the 4 mounting brackets.

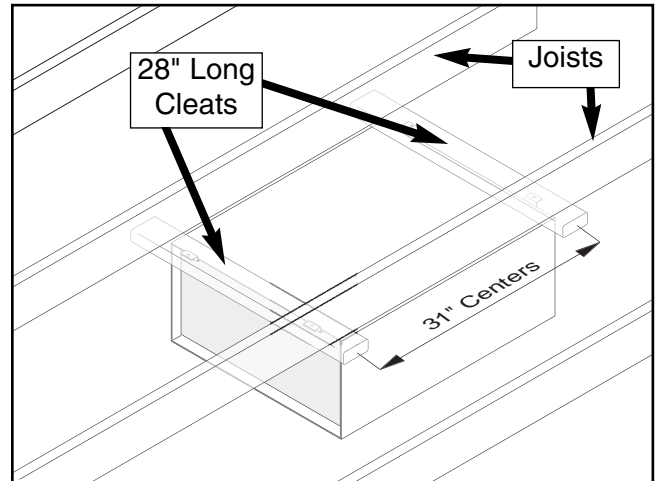


Figure 7. Supported using 28" long material.

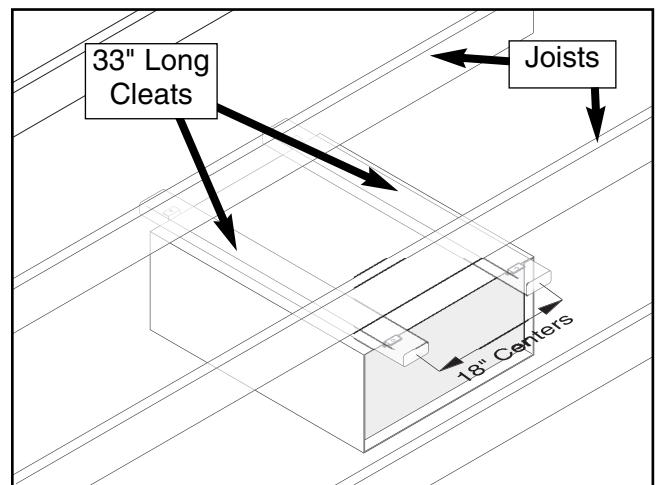


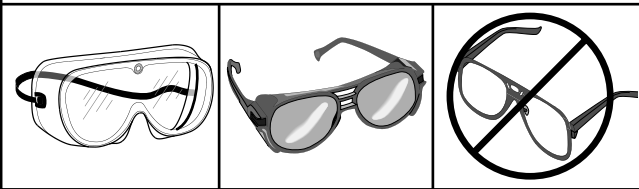
Figure 8. Supported using 33" long material.



SECTION 5: OPERATIONS

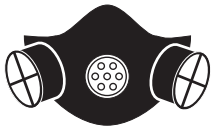
WARNING

Operating this equipment creates the potential for flying debris to cause eye injury. Always wear safety glasses when operating equipment. Everyday glasses or reading glasses only have impact resistant lenses, they are not safety glasses. Be certain the safety glasses you wear meet the appropriate standards of the American National Standards Institute (ANSI).



CAUTION

Operations that generate large amounts of any kind of dust may warrant the use of a respirator even though the air filter is running. The hanging air filter is not a substitute for a respirator!



Operations

Operating the G5955 Hanging Air Filter is straight forward. Simply connect the unit to power and push the start switch to "No Remote Control." The fan should start up and begin filtering the air in the room. If it does not start, turn the switch off and disconnect the power.

- Check the breaker/reset switch located next to the start switch and reset if needed.
- Check to make sure the outlet connected to the filter is in working condition. Reset the breaker or replace the fuse if needed.
- If you are using a remote control system with this unit, review the installation procedures on page 9.

If the air filter continues to have problems, please call our customer support lines for troubleshooting information.



SECTION 6: MAINTENANCE

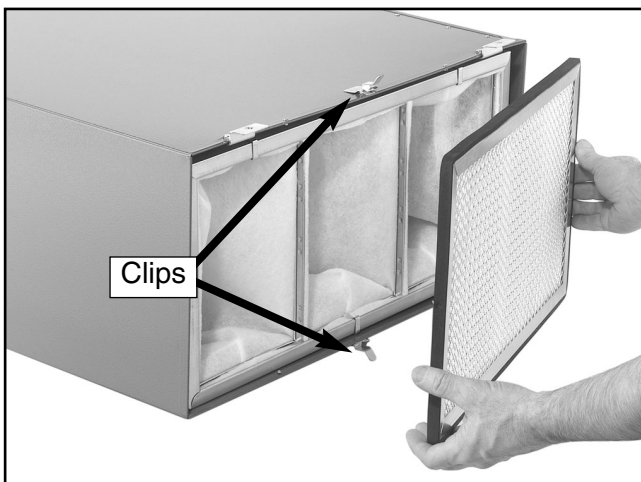
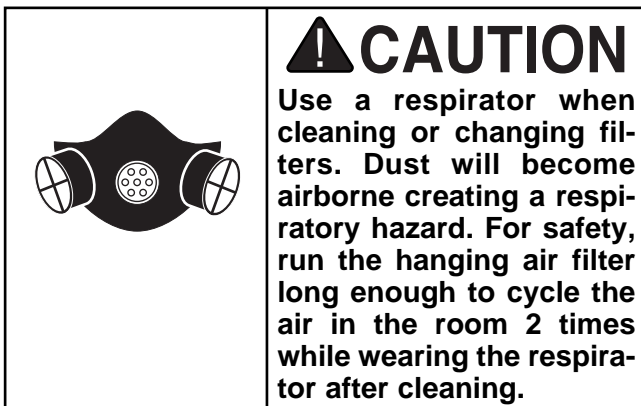
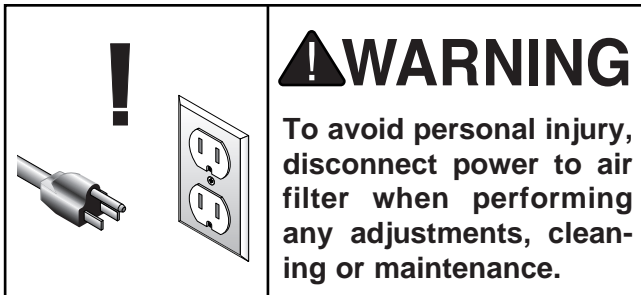


Figure 9. Flip the retaining clips to remove filters.

Cleaning the Filters

In order to maintain optimal operation, the filters on the hanging air filter should be checked and cleaned regularly depending on usage. Checking the filters once a week in a small home shop is a good habit. Checking them once a day during heavy use will be important. Always wear a respirator when checking the filters. To check, clean or replace the filters:

1. Disconnect power to the hanging air filter.
2. Unlatch the filter retaining clips from the top and bottom of the unit, remove the primary filter and place it in a trash bag. Shake it gently to remove the bulk of the dust in the weave of the filter.
3. Remove the secondary filter, place it inside a trash bag and gently shake the dust from the inside of the filter.
4. These filters can be washed with water to remove the last of the dust and help maximize their filtering effect. DO NOT use compressed air to clean these filters as they will be damaged, losing their filtering effect.
5. Be sure the filters are completely dry before installing them into the hanging air filter.
6. Install the air filters and secure with the retaining clips.

During regular use the filters can be cleaned several times before replacement becomes necessary. It is important to look for holes in the filters that would reduce the filtering effect. Please see our catalog for replacement information.



The following pages contain the wiring diagram, parts list, diagram, and the Warranty/Return information for the Model G5955.

If you have any comments regarding this manual, please write to Grizzly at the address below:

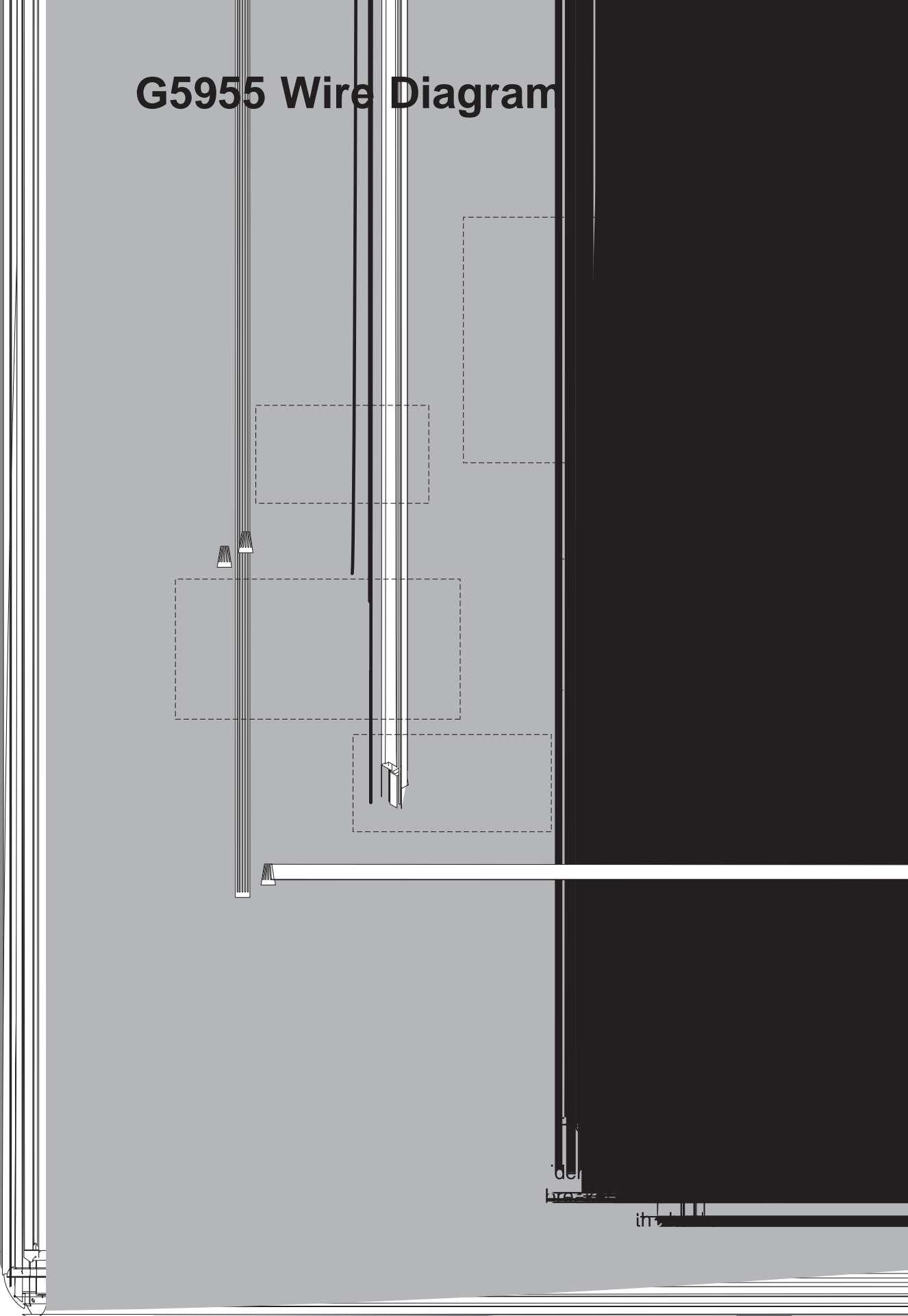
Grizzly Industrial, Inc.
c/o Technical Documentation
P.O. Box 2069
Bellingham, WA 98227-2069

If you need additional technical information relating to this machine, general assistance or replacement parts, please contact the Service Department at the location listed below.

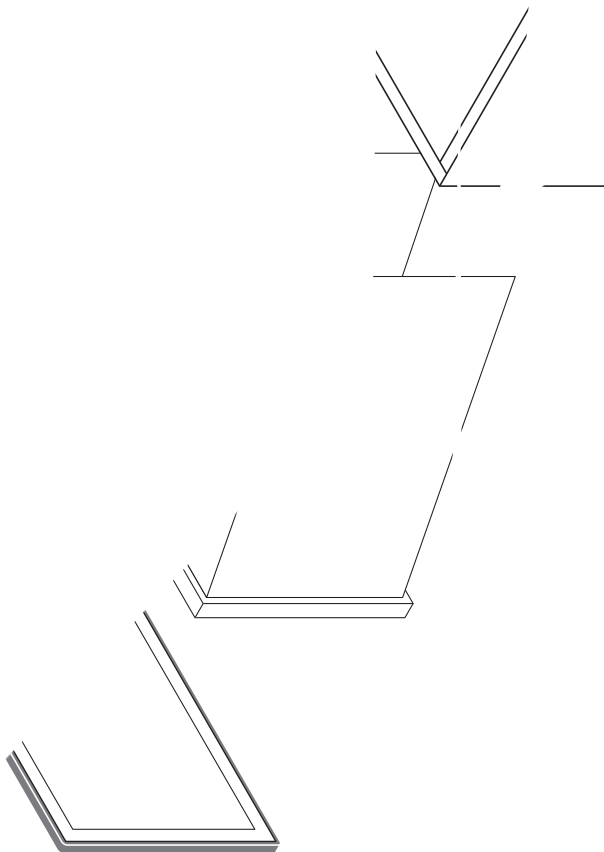
Grizzly Industrial, Inc.
1203 Lycoming Mall Circle
Muncy, PA 17756
Phone: (570) 546-9663
Fax: (800) 438-5901
E-Mail: techsupport@grizzly.com
Web Site: <http://www.grizzly.com>



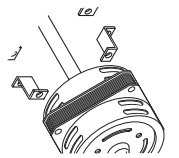
G5955 Wire Diagram



1



2 1



G5955 Parts List

REF	PART #	DESCRIPTION
1	G6514	WASHABLE PREFILTER
2	P5955002	5 MICRON BAG
3	P5955003	DOOR CLIP
4	PS38M	PHLP HD SCR M4-0.7 X 10
5	P5955005	FAN HOUSING
6A	P5955006	FAN BLADE
7	P5955007	FAN INLET
8	PWRCRD110L	PWR CORD 110V, LG W/PLUG
10	PN05	HEX NUT 1/4"-20
11A	P5955011A	FIXED PLATE
12A	P5955012A	GROMMET
13A	P5955013A	COVER
14	P5955014	MOTOR
14B	P5955014B	CAPACITOR 250V 9MFD
15A	P5955015A	RUBBER BUSHING
16	PSS03M	SETSCREW M6-1 X 8
17	P5955017	MAIN HOUSING
19	P5955019	SWITCH PANEL
20A	PS75M	PHLP HD SCR M5-.8 X 35
21	PB19	HEX BOLT 1/4"-20 X 1/2"
22	P5955022	GUARD GRILL
23	P5955023	OUTLET PORT
24	PS01	PHLP HD SCR 10-24 X 1/2"
25	P5955025	MOUNTING BRACKET
26	PB57	HEX BOLT 1/4"-20 X 1/4"
27	PS07M	PHLP HD SCR M4-.7 X 8
28A	PS22M	PHLP HD SCR M5-.8 X 25
29	P5955029	BREAKER/RESET
30	P5955030	SWITCH
30A	PN06M	HEX NUT M5-.8
31	P5955031	SPADE PLUG FOR REMOTE
35	P5955035	PIN PLUG FOR REMOTE
37	PN04M	HEX NUT M4-.7
38	PS54M	PHLP HD SCR M4-.7 X 6
39	P5955039	STRAIN RELIEF
40	P5955040	MOTOR MOUNT BRACKET
41	P5955041	SPARKS/FLAMES LABEL
42	P5955042	FUMES WARNING LABEL
43	P5955043	MACHINE ID/WARNING LABEL
44	PLN01M	LOCK NUT M4-.7
45	PTLW06M	EXT TOOTH WASHER 4MM
46	PWRN01	WIRE NUT 14-22 GAUGE

WARRANTY AND RETURNS

Grizzly Industrial, Inc. warrants every product it sells for a period of **1 year** to the original purchaser from the date of purchase. This warranty does not apply to defects due directly or indirectly to misuse, abuse, negligence, accidents, repairs or alterations or lack of maintenance. This is Grizzly's sole written warranty and any and all warranties that may be implied by law, including any merchantability or fitness, for any particular purpose, are hereby limited to the duration of this written warranty. We do not warrant or represent that the merchandise complies with the provisions of any law or acts unless the manufacturer so warrants. In no event shall Grizzly's liability under this warranty exceed the purchase price paid for the product and any legal actions brought against Grizzly shall be tried in the State of Washington, County of Whatcom.

We shall in no event be liable for death, injuries to persons or property or for incidental, contingent, special, or consequential damages arising from the use of our products.

To take advantage of this warranty, contact us by mail or phone and give us all the details. We will then issue you a "Return Number," which must be clearly posted on the outside as well as the inside of the carton. We will not accept any item back without this number. Proof of purchase must accompany the merchandise.

The manufacturers reserve the right to change specifications at any time because they constantly strive to achieve better quality equipment. We make every effort to ensure that our products meet high quality and durability standards and we hope you never need to use this warranty.

Please feel free to write or call us if you have any questions about the machine or the manual.

Thank you again for your business and continued support. We hope to serve you again soon.

WARRANTY CARD

Name _____
 Street _____
 City _____ State _____ Zip _____
 Phone Number _____ E-Mail _____ FAX _____
MODEL: G5955 HANGING AIR FILTER Serial # _____ Order _____

The following information is given on a voluntary basis. It will be used for marketing purposes to help us develop better products and services. Of course, all information is strictly confidential.

CUT ALONG DOTTED LINE

1. How did you learn about us?

<input type="checkbox"/> Advertisement <input type="checkbox"/> Catalog <input type="checkbox"/> World Wide Web <input type="checkbox"/> Other _____	<input type="checkbox"/> Friend <input type="checkbox"/> Card Deck
---	---

2. Which of the following magazines do you subscribe to.

<input type="checkbox"/> American Woodworker <input type="checkbox"/> Cabinetmaker <input type="checkbox"/> Family Handyman <input type="checkbox"/> Fine Homebuilding <input type="checkbox"/> Fine Woodworking <input type="checkbox"/> Home Handyman <input type="checkbox"/> Journal of Light Construction <input type="checkbox"/> Old House Journal <input type="checkbox"/> Popular Mechanics <input type="checkbox"/> Popular Science <input type="checkbox"/> Popular Woodworking <input type="checkbox"/> Other _____	<input type="checkbox"/> Practical Homeowner <input type="checkbox"/> Shop Notes <input type="checkbox"/> Today's Homeowner <input type="checkbox"/> WOOD <input type="checkbox"/> Wooden Boat <input type="checkbox"/> Woodshop News <input type="checkbox"/> Woodsmith <input type="checkbox"/> Woodwork <input type="checkbox"/> Woodworker <input type="checkbox"/> Woodworker's Journal <input type="checkbox"/> Workbench
--	---

3. Which of the following woodworking/remodeling shows do you watch?

<input type="checkbox"/> Backyard America <input type="checkbox"/> Home Time <input type="checkbox"/> The American Woodworker <input type="checkbox"/> Other _____	<input type="checkbox"/> The New Yankee Workshop <input type="checkbox"/> This Old House <input type="checkbox"/> Woodwright's Shop
---	---

4. What is your annual household income?

<input type="checkbox"/> \$20,000-\$29,999 <input type="checkbox"/> \$30,000-\$39,999 <input type="checkbox"/> \$40,000-\$49,999 <input type="checkbox"/> \$50,000-\$59,999	<input type="checkbox"/> \$60,000-\$69,999 <input type="checkbox"/> \$70,000-\$79,999 <input type="checkbox"/> \$80,000-\$89,999 <input type="checkbox"/> \$90,000 +
--	---

5. What is your age group?

<input type="checkbox"/> 20-29 <input type="checkbox"/> 30-39 <input type="checkbox"/> 40-49	<input type="checkbox"/> 50-59 <input type="checkbox"/> 60-69 <input type="checkbox"/> 70 +
--	---

6. How long have you been a woodworker?

<input type="checkbox"/> 0 - 2 Years <input type="checkbox"/> 2 - 8 Years	<input type="checkbox"/> 8 - 20 Years <input type="checkbox"/> 20+ Years
--	---

7. How would you rank your woodworking skills?

<input type="checkbox"/> Simple <input type="checkbox"/> Intermediate	<input type="checkbox"/> Advanced <input type="checkbox"/> Master Craftsman
--	--

8. What stationary woodworking tools do you own? Check all that apply.

<input type="checkbox"/> Air Compressor <input type="checkbox"/> Band Saw <input type="checkbox"/> Drill Press <input type="checkbox"/> Drum Sander <input type="checkbox"/> Dust Collector <input type="checkbox"/> Horizontal Boring Machine <input type="checkbox"/> Jointer <input type="checkbox"/> Lathe <input type="checkbox"/> Mortiser	<input type="checkbox"/> Panel Saw <input type="checkbox"/> Planer <input type="checkbox"/> Power Feeder <input type="checkbox"/> Radial Arm Saw <input type="checkbox"/> Shaper <input type="checkbox"/> Spindle Sander <input type="checkbox"/> Table Saw <input type="checkbox"/> Vacuum Veneer Press <input type="checkbox"/> Wide Belt Sander
--	--

9. How many of your woodworking machines are Grizzly? _____
 Other _____

10. Which benchtop tools do you own? Check all that apply.

<input type="checkbox"/> 1" x 42" Belt Sander <input type="checkbox"/> 5" - 8" Drill Press <input type="checkbox"/> 8" Table Saw <input type="checkbox"/> 8" - 10" Bandsaw <input type="checkbox"/> Disc / Belt Sander <input type="checkbox"/> Mini Jointer <input type="checkbox"/> Other _____	<input type="checkbox"/> 6" - 8" Grinder <input type="checkbox"/> Mini Lathe <input type="checkbox"/> 10" - 12" Thickness Planer <input type="checkbox"/> Scroll Saw <input type="checkbox"/> Spindle / Belt Sander
---	---

11. How many of the machines checked above are Grizzly? _____

12. Which portable/hand held power tools do you own? Check all that apply.

13. What machines/supplies would you like Grizzly Industrial to carry?

14. What new accessories would you like Grizzly Industrial to carry?

<input type="checkbox"/> Builders Hardware <input type="checkbox"/> Fasteners <input type="checkbox"/> Other _____	<input type="checkbox"/> Hand Tools <input type="checkbox"/> Wood Components
--	---

15. What other companies do you purchase your tools and supplies from?

16. Do you think your purchase represents good value?
 Yes No

17. Would you recommend Grizzly Industrial to a friend?
 Yes No

18. Would you allow us to use your name as a reference for Grizzly customers in your area? **Note: We never use names more than three times.**
 Yes No

19. Comments: _____

FOLD ALONG DOTTED LINE



Place
Stamp
Here



GRIZZLY INDUSTRIAL, INC.
P.O. BOX 2069
BELLINGHAM, WA 98227-2069



FOLD ALONG DOTTED LINE

Send a Grizzly Catalog to a friend:

Name _____
Street _____
City _____ State _____ Zip _____

TAPE ALONG EDGES--PLEASE DO NOT STAPLE

Free Manuals Download Website

<http://myh66.com>

<http://usermanuals.us>

<http://www.somanuals.com>

<http://www.4manuals.cc>

<http://www.manual-lib.com>

<http://www.404manual.com>

<http://www.luxmanual.com>

<http://aubethermostatmanual.com>

Golf course search by state

<http://golfingnear.com>

Email search by domain

<http://emailbydomain.com>

Auto manuals search

<http://auto.somanuals.com>

TV manuals search

<http://tv.somanuals.com>