

Drywall Feed Pump

3A0246C
ENG

U.S. Patents Pending: 61/315,288; 61/315/322; 61/316,013; 61/316,010

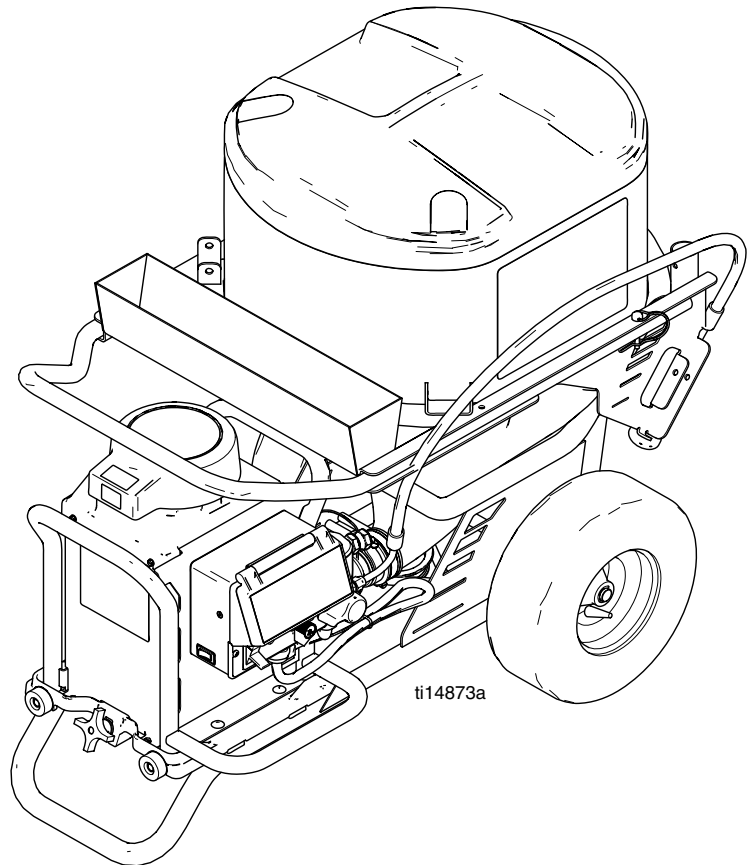
- For water-based materials only -
- Not for use in explosive atmospheres -
- Not for use with quick-set materials -



READ ALL WARNINGS AND INSTRUCTIONS
Read all warnings and instructions in this manual.
Save these instructions.

Maximum Working Pressure 2500 psi (17.2 MPa, 172 bar)

- Model 257100: 120V NA ETL Listed**
- Model 258906: 240V Euro Multicord**
- Model 258907: 110V UK, CE**
- Model 262288: 120V NA**
- Model 262300: 240V Euro CE Cord**




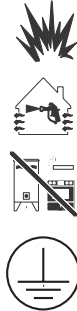


Agency Approvals:

	FC	Canada	ETL Intertek US	CE	PG
257100	✓	✓	✓		
258906				✓	✓
258907				✓	
262288	✓	✓			
262300				✓	✓

Warning

The following warnings are for the setup, use, grounding, maintenance, and repair of this equipment. The exclamation point symbol alerts you to a general warning and the hazard symbols refer to procedure-specific risks. When these symbols appear in the body of this manual, refer back to these Warnings. Product-specific hazard symbols and warnings not covered in this section may appear throughout the body of this manual where applicable.

 WARNING	
	<p>ELECTRIC SHOCK HAZARD</p> <p>This equipment must be grounded. Improper grounding, setup, or usage of the system can cause electric shock.</p> <ul style="list-style-type: none"> • Turn off and disconnect power cord before servicing equipment. • Use only grounded electrical outlets. • Use only 3-wire extension cords. • Ensure ground prongs are intact on power and extension cords. • Do not expose to rain. Store indoors.
	<p>SKIN INJECTION HAZARD</p> <p>High-pressure fluid from dispensing device, hose leaks, or ruptured components will pierce skin. This may look like just a cut, but it is a serious injury that can result in amputation. Get immediate surgical treatment.</p> <ul style="list-style-type: none"> • Engage trigger lock when not dispensing. • Do not point dispensing device at anyone or at any part of the body. • Do not put your hand over the fluid outlet. • Do not stop or deflect leaks with your hand, body, glove, or rag. • Follow the Pressure Relief Procedure when you stop dispensing and before cleaning, checking, or servicing equipment. • Tighten all fluid connections before operating the equipment. • Check hoses and couplings daily. Replace worn or damaged parts immediately.
	<p>FIRE AND EXPLOSION HAZARD</p> <p>Flammable fumes, such as solvent and paint fumes, in work area can ignite or explode. To help prevent fire and explosion:</p> <ul style="list-style-type: none"> • Do not dispense flammable or combustible materials near an open flame or sources of ignition such as cigarettes, motors, and electrical equipment. • Material or solvent flowing through the equipment is able to result in static electricity. Static electricity creates a risk of fire or explosion in the presence of material or solvent fumes. All parts of the system, including the pump, hose assembly, dispenser, and objects in and around the work area shall be properly grounded to protect against static discharge and sparks. Use Graco conductive or grounded high-pressure airless material hoses. • Verify that all containers and collection systems are grounded to prevent static discharge. • Connect to a grounded outlet and use grounded extensions cords. Do not use a 3-to-2 adapter. • Do not use a material or a solvent containing halogenated hydrocarbons. • Keep work area well-ventilated. Keep a good supply of fresh air moving through the area. Keep pump assembly in a well ventilated area. • Do not smoke in the work area. • Do not operate light switches, engines, or similar spark producing products in the work area. • Keep area clean and free of material or solvent containers, rags, and other flammable materials. • Know the contents of the materials and solvents being dispensed. Read all Material Safety Data Sheets (MSDS) and container labels provided with the materials and solvents. Follow the material and solvents manufacturer's safety instructions. • Fire extinguisher equipment shall be present and working. • Drywall feed pump generates sparks. When flammable liquid is used in or near the drywall feed pump or for flushing or cleaning, keep unit at least 20 feet (6 m) away from explosive vapors.

⚠ WARNING



MOVING PARTS HAZARD

Moving parts can pinch, cut or amputate fingers and other body parts.

- Keep clear of moving parts.
- Do not operate equipment with protective guards or covers removed.
- Pressurized equipment can start without warning. Before checking, moving, or servicing equipment, follow the **Pressure Relief Procedure** and disconnect all power sources.



EQUIPMENT MISUSE HAZARD

Misuse can cause death or serious injury.

- Always wear appropriate gloves, eye protection, and a respirator or mask when dispensing.
- Do not operate or dispense near children. Keep children away from equipment at all times.
- Do not overreach or stand on an unstable support. Keep effective footing and balance at all times.
- Stay alert and watch what you are doing.
- Do not leave the unit energized or under pressure while unattended. When the unit is not in use, turn off the unit and follow the **Pressure Relief Procedure** for turning off the unit.
- Do not operate the unit when fatigued or under the influence of drugs or alcohol.
- Do not kink or over-bend the hose.
- Do not expose the hose to temperatures or to pressures in excess of those specified by Graco.
- Do not use the hose as a strength member to pull or lift the equipment.



PRESSURIZED ALUMINUM PARTS HAZARD

Use of fluids that are incompatible with aluminum in pressurized equipment can cause serious chemical reaction and equipment rupture. Failure to follow this warning can result in death, serious injury, or property damage.

- Do not use 1,1,1-trichloroethane, methylene chloride, other halogenated hydrocarbon solvents or fluids containing such solvents.
- Many other fluids may contain chemicals that can react with aluminum. Contact your material supplier for compatibility.

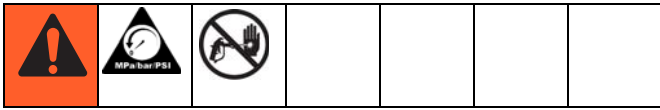


PERSONAL PROTECTIVE EQUIPMENT

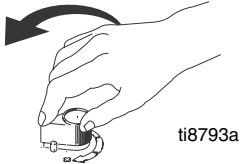
You must wear appropriate protective equipment when operating, servicing, or when in the operating area of the equipment to help protect you from serious injury, including eye injury, hearing loss, inhalation of toxic fumes, and burns. This equipment includes but is not limited to:

- Protective eyewear, and hearing protection.
- Respirators, protective clothing, and gloves as recommended by the fluid and solvent manufacturer.

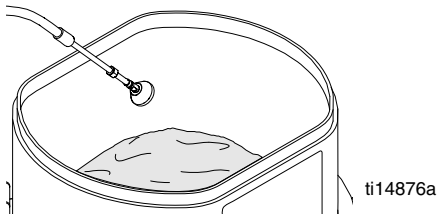
Pressure Relief Procedure



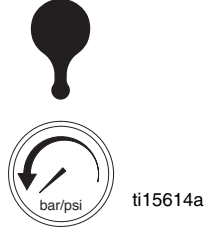
1. Turn flow control knob to fully counterclockwise to OFF position.



2. Place deflector in hopper or suitable container.



3. Turn prime valve handle to PRESSURE RELIEF position.



4. Display will read "----" when all pressure is relieved.

Drive and Bearing Housing

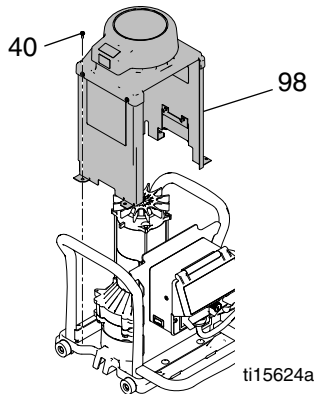
NOTICE

Do not drop gear cluster (17a) when removing drive housing (5a). Gear cluster may stay engaged in motor front end bell or drive housing.

Removal

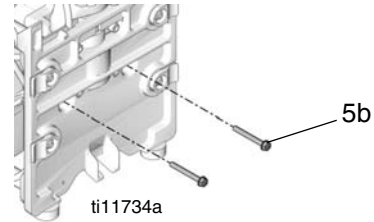


1. Perform **Pressure Relief Procedure**, page 4.
2. Remove **Power Module**, see page 7.
3. Remove **Pump**, page 8.
4. Remove four screws (40) and lift motor shroud (98) off of motor.

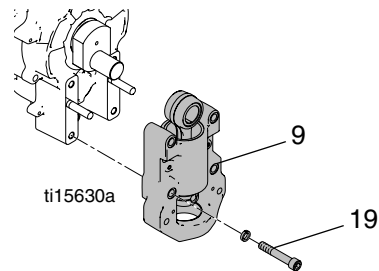


5. Disconnect three wire harnesses (see **Wiring Diagrams**, pages 34-36).

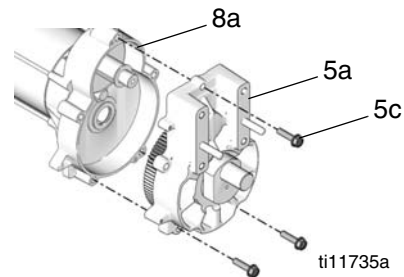
6. Remove two screws (5b) from underneath motor base plate. Lift and remove motor/pump assembly from power module.



7. Loosen four screws (19) on pump housing, and remove bearing housing (9) from motor.

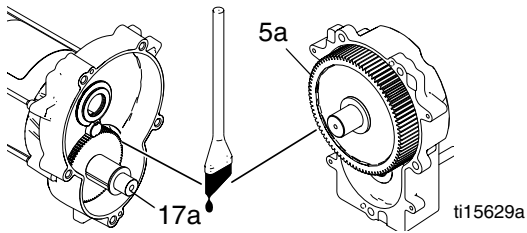


8. Remove three screws (5c) on motor (8a). Remove motor (8a) from drive housing (5a).

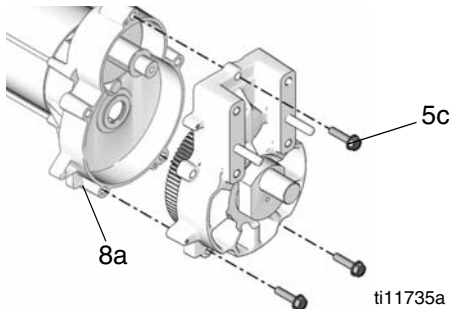


Installation

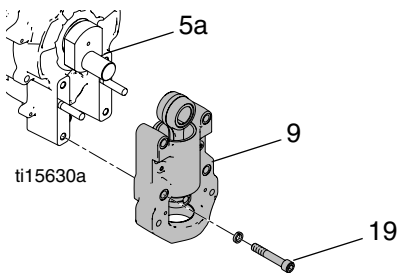
1. Apply brown lithium grease supplied with drive housing kit (5) to gear cluster (17a) and inside of motor cavity.



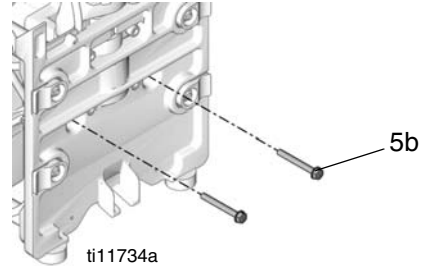
2. Align orientation tab on gear housing with slot on motor and slide gears into motor.
3. Replace and tighten three screws (5c) on motor (8a). Torque to 200-220 in-lb.



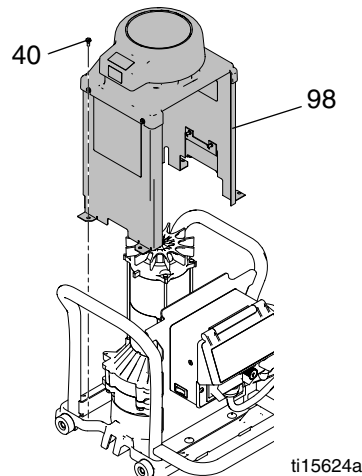
4. Attach bearing housing (9) to gear housing (5a) (slowly turn motor fan by hand to align gear into pump connecting rod). Torque four bearing housing screws (19) to 25-30 ft-lb.



5. Replace motor/pump assembly into pump module. Replace and tighten two screws (5b) underneath motor base plate. Torque to 200 - 220 in-lb.



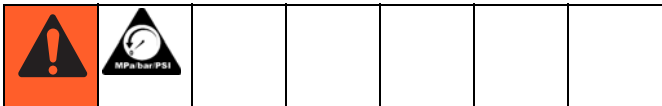
6. Reconnect three wire harnesses (see **Wiring Diagrams**, pages 34-36).
7. Replace motor shroud (98) and tighten four screws (40). Torque to 30-34 in-lb.



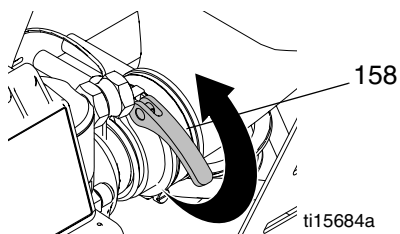
8. Replace **Pump**, page 8.
9. Replace **Power Module**, see page 7.

Power Module

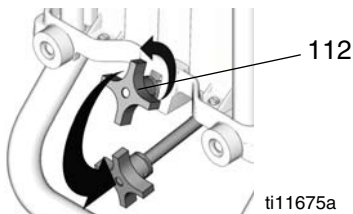
Removal



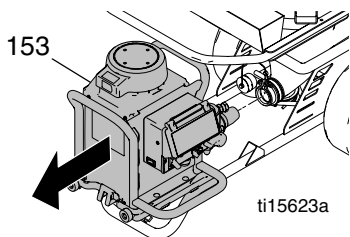
1. Perform **Pressure Relief Procedure**, see page 4. Unplug power cord.
2. Release hopper adapter clamp (158).



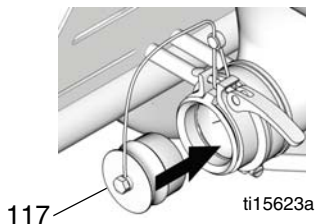
3. Loosen rod clamp knob (112) on front of pump module and push rod down.



4. Lift and pull power module (153) off of unit.
NOTE: Power module weighs approximately 85 lb.

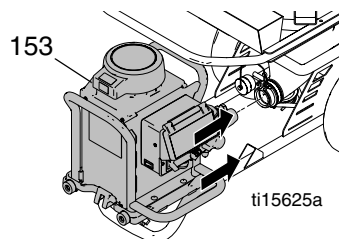


5. Install hopper plug (117) if needed.

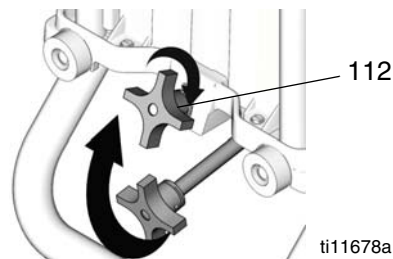


Installation

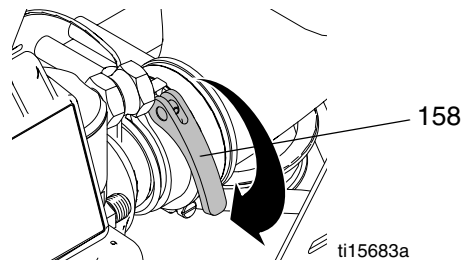
1. Remove hopper plug (117) if installed.
2. Replace power (153) module and insert pump outlet into hopper inlet.



3. Pull rod clamp up and tighten knob (112) on front of pump module.

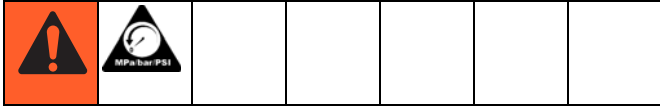


4. Fasten hopper adapter clamp (158).

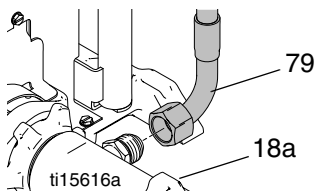


Pump

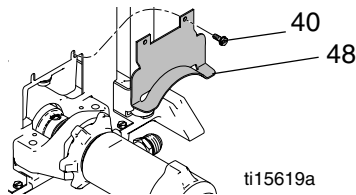
Removal



1. Perform **Pressure Relief Procedure**, see page 4.
2. Remove **Power Module**, see page 7.
3. Disconnect material hose (79) from pump (18a).



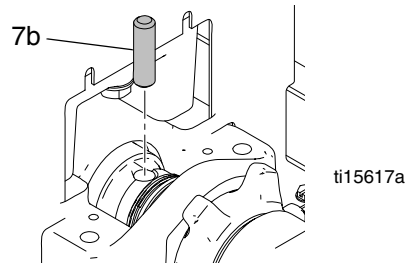
4. Loosen two screws (40) and remove pump rod shield (48).



5. Turn flow control knob to a very low setting and turn prime valve handle to **TOOL FILL** position (**JOG** mode will appear in display). Use ON/OFF switch or turn control knob OFF to stop pump when pin is visible.

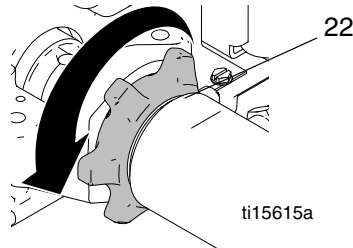


6. Use screwdriver to press pin (7b) out of pump.

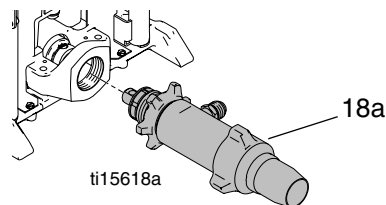


NOTE: Pin should be removed by pressing the pin out through the bottom side of the pump. Make sure to control the pump pin when removing so that it does not fall into the pump module.

7. Use hammer to loosen pump retaining nut (22).

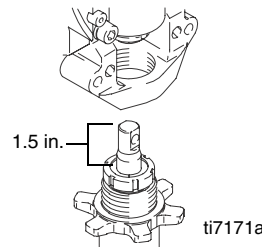


8. Unscrew and remove pump (18a) from module.

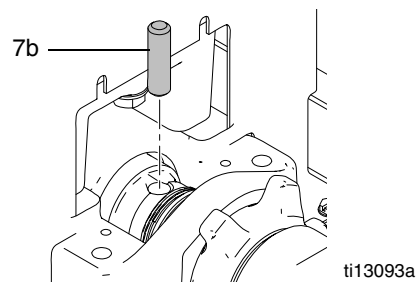


Installation

1. Extend pump piston rod 1.5 in.

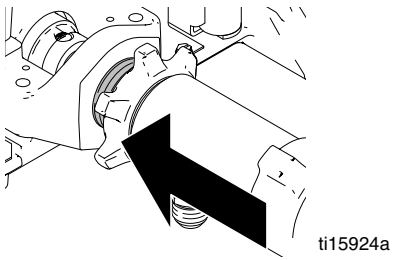


2. Install pump pin (7b). Verify retaining spring is in groove of connecting rod.

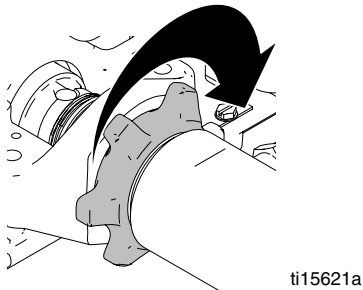


NOTE: Pin should be installed from the top side of the pump. Make sure to control the pump pin when installing so that it does not fall into the pump module.

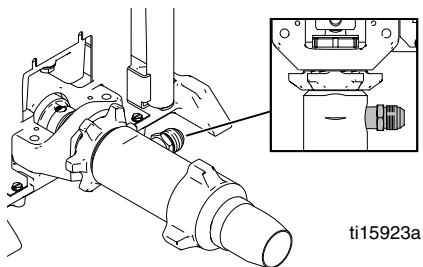
3. Push pump up until pump threads engage.



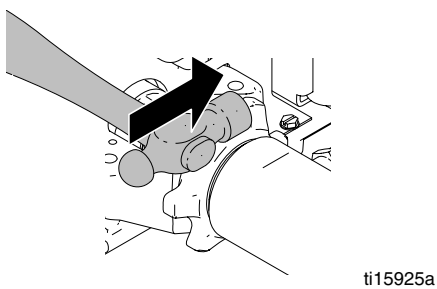
4. Screw in pump until threads are flush with drive housing opening.



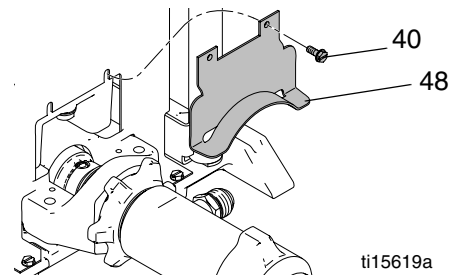
5. Align pump outlet to right side so that hose can be reassembled.



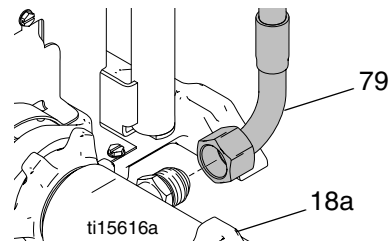
6. Screw jam nut up toward drive housing until nut stops. Tighten jam nut by hand, then tap 1/8 to 1/4 turn with a 20 oz. (maximum) hammer to approximately 75± 5 ft-lb (102 N•m).



7. Replace pump rod shield (48) and torque two screws (40) to 30 - 34 in-lb.



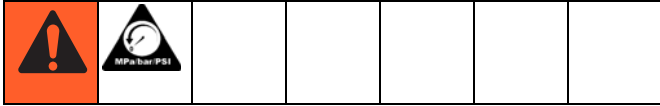
8. Reconnect material hose (79) to pump (18a).



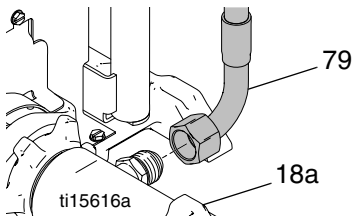
9. Replace **Power Module**, see page 7.

Motor

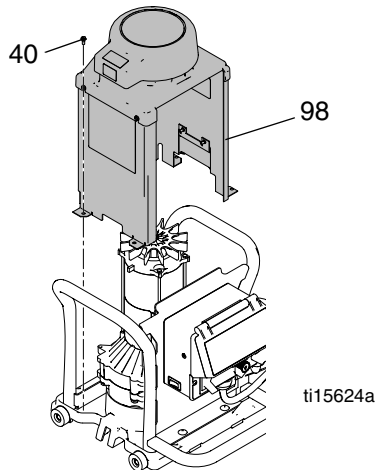
Removal



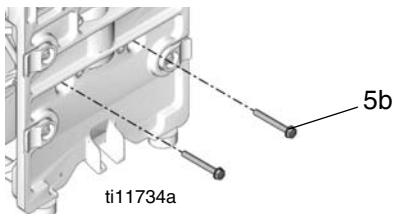
1. Perform **Pressure Relief Procedure**, see page 4.
2. Remove **Power Module**, see page 7.
3. Disconnect material hose (79) from pump (18a).



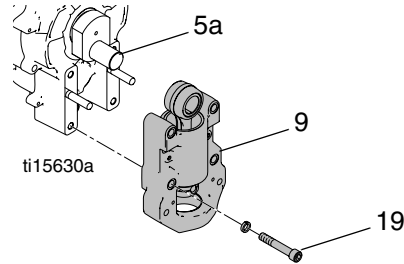
4. Remove four screws (40) and lift motor shroud (98) off of motor.



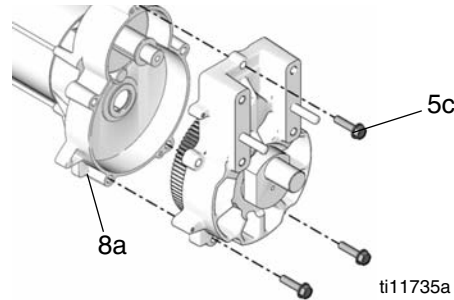
5. Disconnect three wire harnesses (see **Wiring Diagrams**, pages 34-36).
6. Remove two screws (5b) from underneath motor base plate. Lift and remove motor/pump assembly from pump module.



7. Loosen four screws (19) on bearing housing (9), and remove from gear housing.

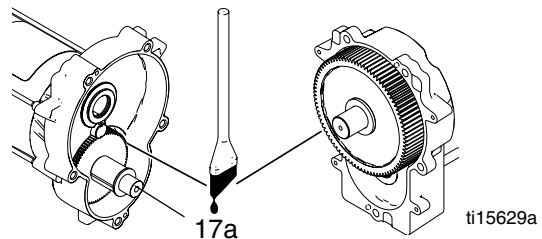


8. Remove three screws (5c) on motor (8a). Remove motor from gear housing.

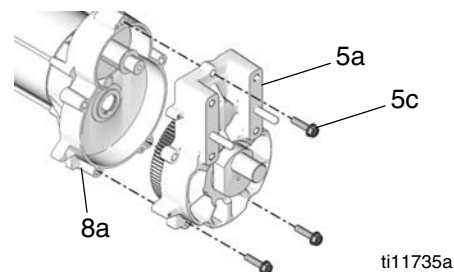


Installation

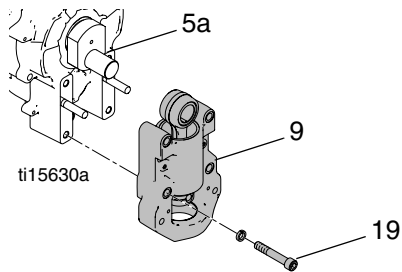
1. Apply brown lithium grease supplied with motor repair kit (8) to gear cluster (17a) and inside of motor cavity.



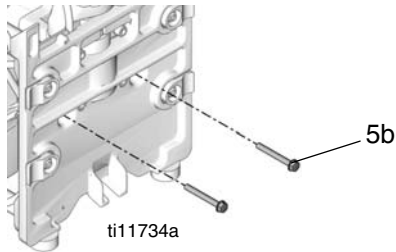
2. Align orientation tab on gear housing with slot on motor and slide gears into motor.
3. Replace three screws (5c) on motor (8a). Torque to 200-220 in-lb.



- Attach bearing housing (9) to gear housing (5a) (slowly turn motor fan by hand to align gear into pump connecting rod). Torque four bearing housing screws (19) to 25-30 ft-lb.

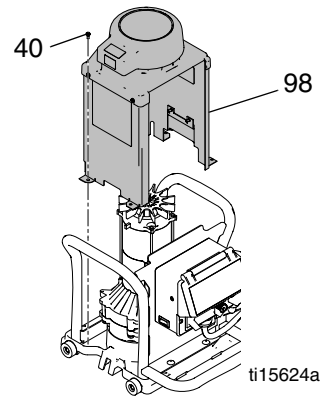


- Replace motor/pump assembly into pump module. Replace and torque two screws (5b) underneath motor base plate to 200 - 220 in-lb.

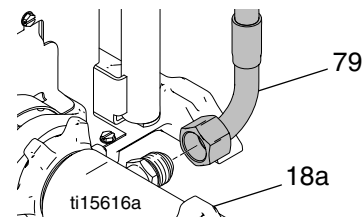


- Reconnect three wire harnesses (see **Wiring Diagrams**, pages 34-36).

- Replace motor shroud (98) and torque four screws (40) to 30 - 34 in-lb.



- Reconnect material hose (79) to pump (18a).



- Replace **Power Module**, see page 7.

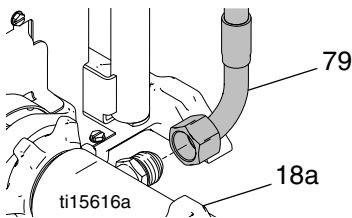
Motor Control Board

Removal

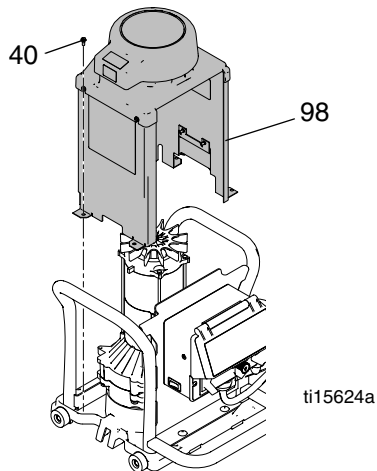


120V Models:

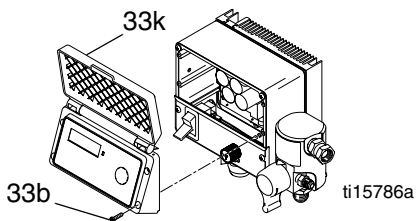
1. Perform **Pressure Relief Procedure**, see page 4. Wait 5 minutes before servicing.
2. Remove **Power Module**, see page 7.
3. Disconnect material hose (79) from pump (18a).



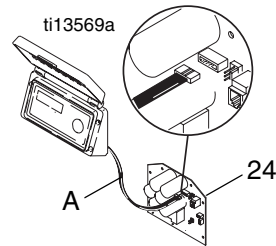
4. Remove four screws (40) and lift motor shroud (98) off of motor.



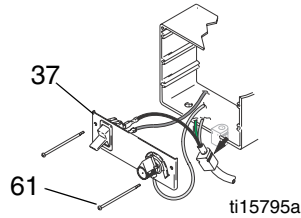
5. Remove four screws (33b) and display cover (33k).



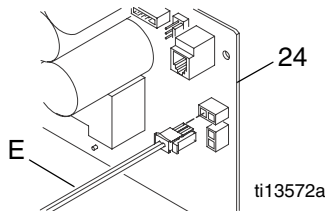
6. Disconnect display connector (A) from motor control board (24) and remove display.



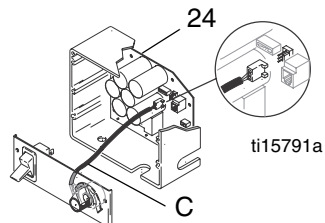
7. Remove bottom two screws (61) and remove control panel (37).



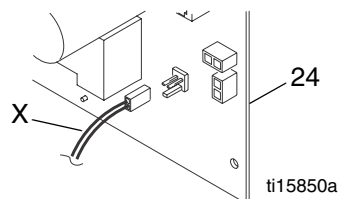
8. Disconnect Prime/Tool Fill/Recirculate reed switch connector (E) from motor control board (24).



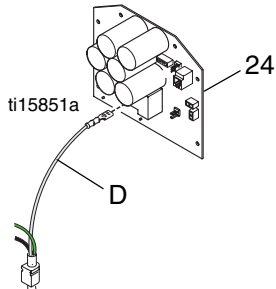
9. Disconnect potentiometer connector (C) from motor control board (24).



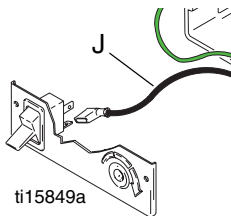
10. Disconnect 15/20A switch connector (X) from motor control board (24).



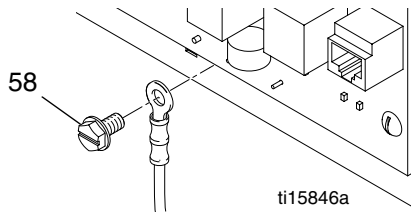
11. Disconnect white power cord conductor (D) from motor control board (24).



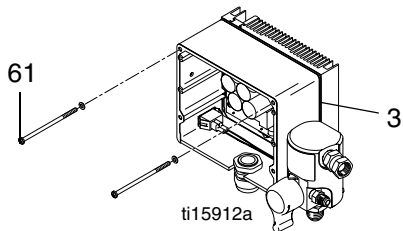
12. Disconnect black power lead (J) on motor control board (24) from ON/OFF switch.



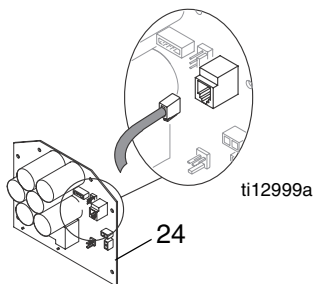
13. Remove ground screw (58) from motor control board/heat sink assembly.



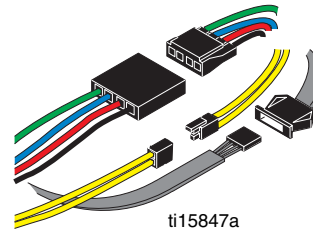
14. Remove two top screws (61) and control box (3).



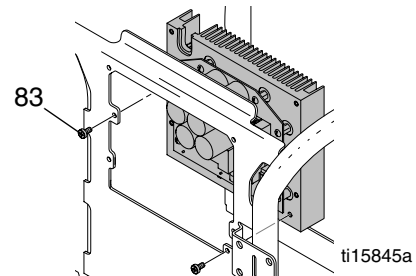
15. Disconnect transducer connector from motor control board (24).



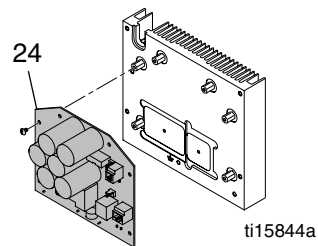
16. Disconnect three motor connectors from motor control board to motor.



17. Remove two screws (83) holding motor control board /heat sink assembly to power module frame. Remove motor control board/heat sink assembly.

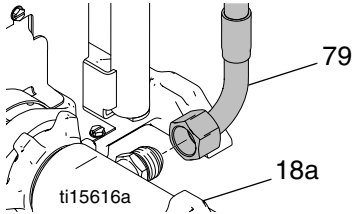


18. Remove six outer screws, two inner screws, and remove control board (24) from heat sink.

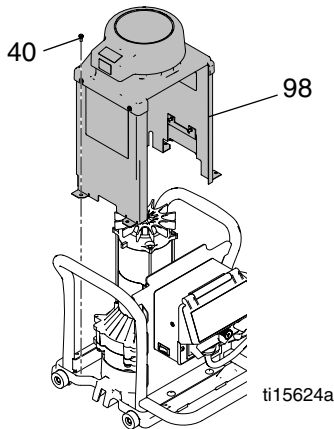


110 UK and 240V Models:

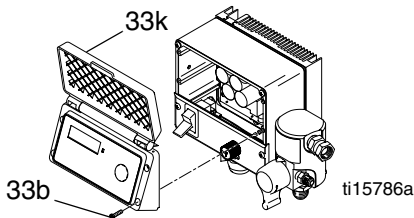
1. Perform **Pressure Relief Procedure**, see page 4. Wait 5 minutes before servicing.
2. Remove **Power Module**, see page 7.
3. Disconnect material hose (79) from pump (18a).



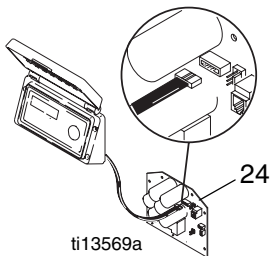
4. Remove four screws (40) and lift motor shroud (98) off of motor.



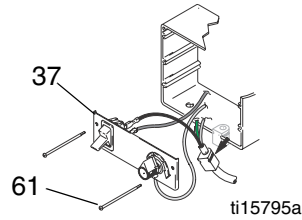
5. Remove four screws (33b) and display cover (33k).



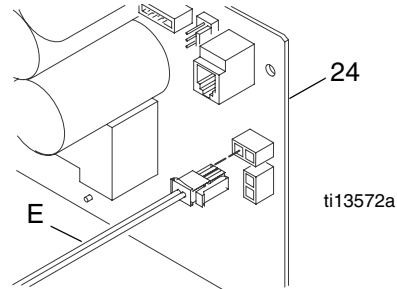
6. Disconnect display from motor control board (24) and remove display.



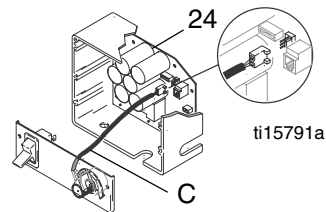
7. Remove bottom two screws (61) control panel (37).



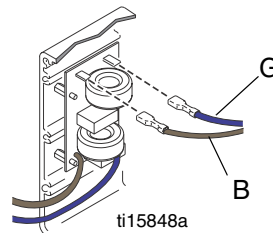
8. Disconnect Prime/Tool Fill/Recirculate reed switch connector (E) from motor control board (24).



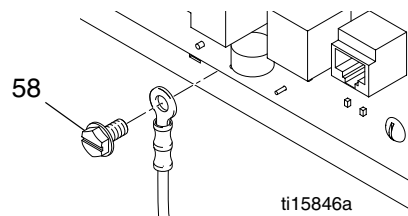
9. Disconnect potentiometer connector (C) from motor control board (24).



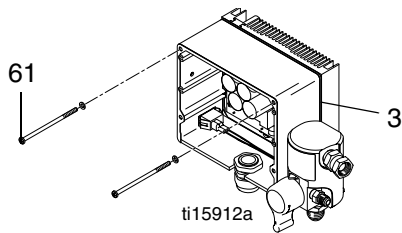
10. Disconnect black power lead (G) from motor control board to filter board. Disconnect blue power lead (B) from motor control board to filter board.



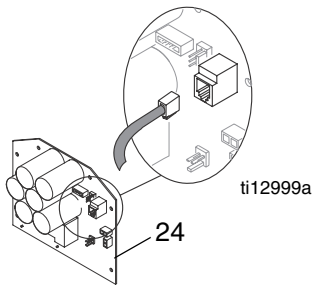
11. Remove ground screw (58) from motor control board/heat sink assembly.



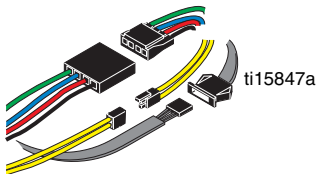
12. Remove top two screws (61) and control box (3).



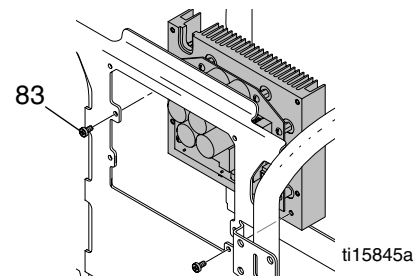
13. Disconnect transducer connector from motor control board (24).



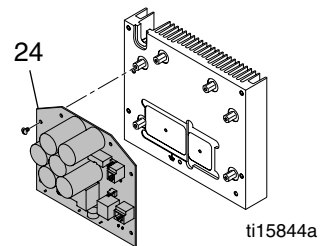
14. Disconnect three motor connectors from motor control board to motor.



15. Remove two screws (83) holding motor control board / heat sink assembly to power module frame. Remove motor control board/heat sink assembly.



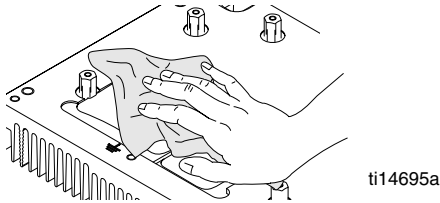
16. Remove six outer screws, two inner screws, and remove control board (24) from heat sink.



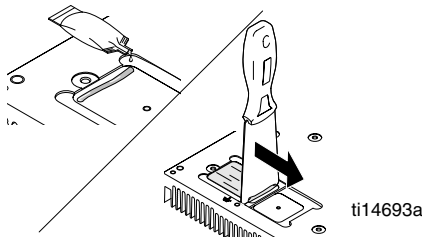
Installation

120V Models:

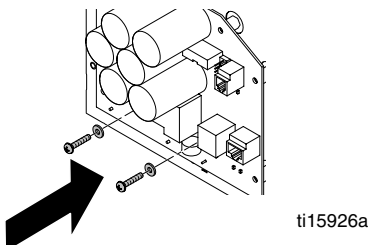
1. Use acetone or equivalent cleaner to thoroughly remove thermal paste from pockets on heat sink.



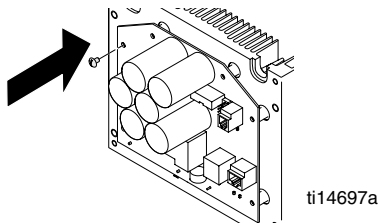
2. Apply new thermal paste into both pockets of heat sink.



3. Replace two inner screws and washers to control board and torque to 17 in-lb.

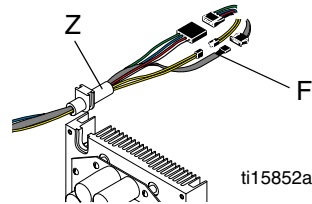


4. Replace six outer screws to control board and torque to 11 in-lb.

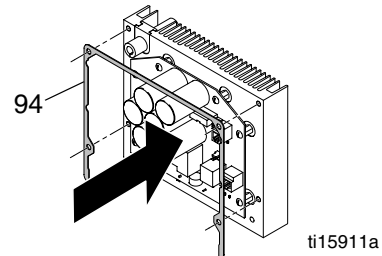


NOTE: SW1 position setting does not matter.

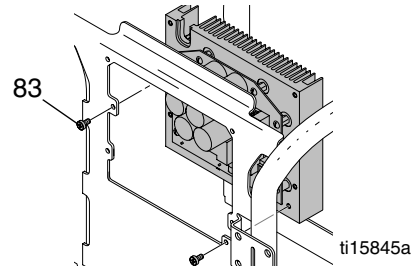
5. Connect motor control board lead connectors (F) to leads from motor. Insert grommet in heat sink baffle. Use zip tie or electrical tape (Z) to hold grommet together on grommet end on the motor side of the heat sink.



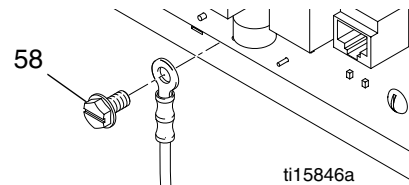
6. Assemble gasket (94) to heat sink assembly.



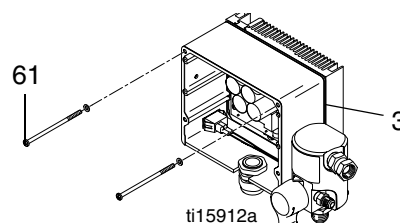
7. Assemble two screws (83) to hold motor control board/ heat sink assembly to power module frame. Torque to 35-45 in-lb.



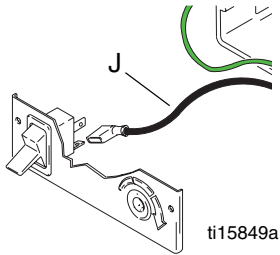
8. Assemble ground screw (58) to heat sink. Torque to 30-34 in-lb.



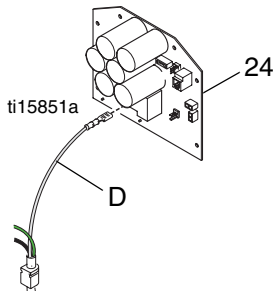
9. Assemble control box enclosure (3) to power module and tighten two screws (61). Torque to 30-35 in-lb.



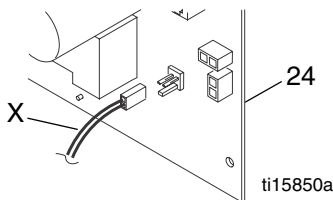
10. Connect black power lead (J) on motor control board to ON/OFF switch.



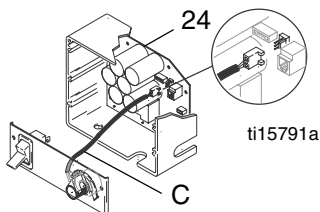
11. Connect white power cord conductor (D) to motor control board (24).



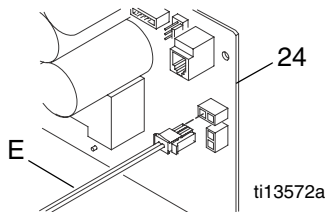
12. Connect 15/20A switch connector (X) to motor control board (24).



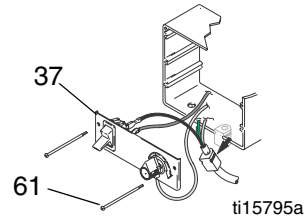
13. Connect potentiometer connector (C) to motor control board (24).



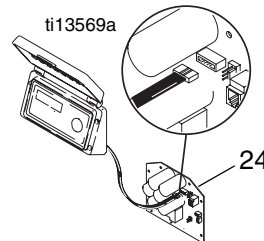
14. Connect Prime/Tool Fill/Recirculate reed switch connector (E) to motor control board (24).



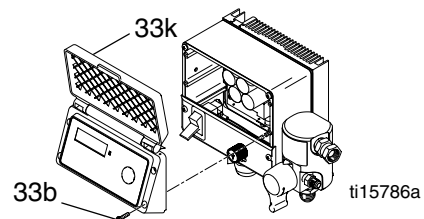
15. Replace control panel (37) and tighten bottom two screws (61). Torque to 30-35 in-lb.



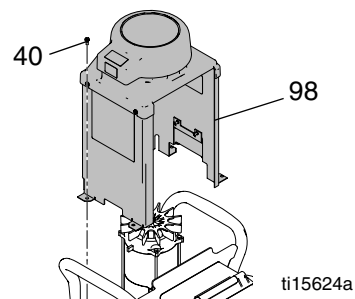
16. Connect display connector to motor control board (24).



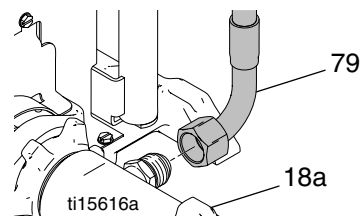
17. Assemble display cover (33k). Spring tabs on noise shield need to be assembled to the inside of the control box enclosure. Torque screws (33b) to 30-35 in-lb.



18. Remove four screws (40) and lift motor shroud (98) off of motor.



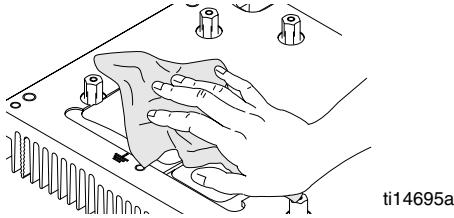
19. Disconnect material hose (79) from pump (18a).



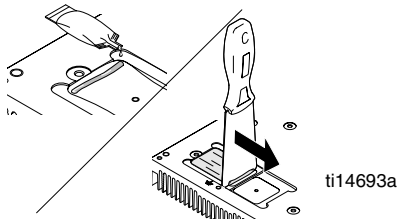
20. Replace **Power Module**, see page 7.

110 UK and 240V Models:

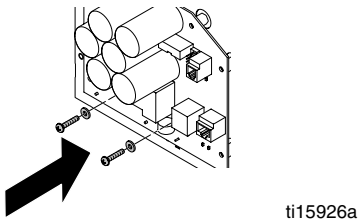
1. Use acetone or equivalent cleaner to thoroughly remove thermal paste from pockets on heat sink.



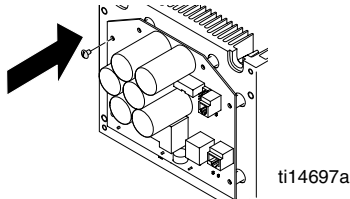
2. Apply new thermal paste into both pockets of heat sink.



3. Replace two inner screws and washers to control board and torque to 17 in-lb.

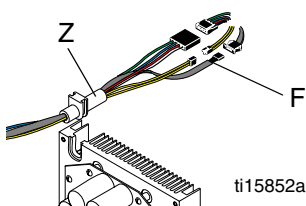


4. Replace six outer screws to control board and torque to 11 in-lb.

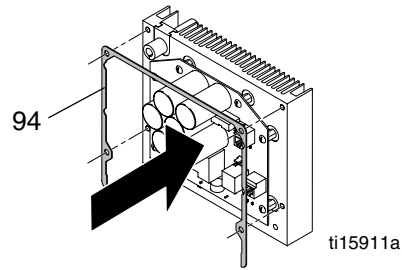


NOTE: SW1 position setting does not matter.

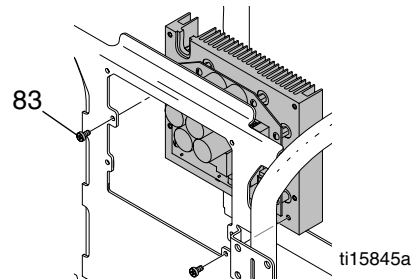
5. Connect motor control board lead connectors (F) to leads from motor. Insert grommet in heat sink baffle. Use zip tie or electrical tape (Z) to hold grommet together on grommet end on the motor side of the heat sink.



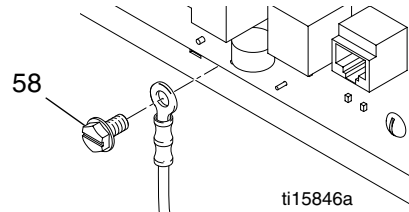
6. Assemble gasket (94) to heat sink assembly.



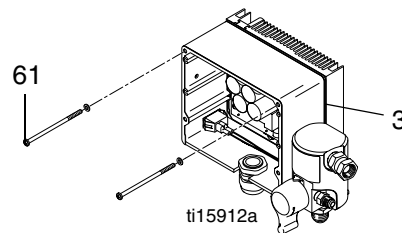
7. Assemble two screws (83) to hold motor control board/ heat sink assembly to power module frame. Torque to 35-45 in-lb.



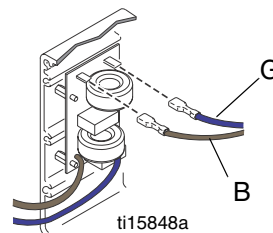
8. Assemble ground screw (58) to heat sink. Torque to 30-34 in-lb.



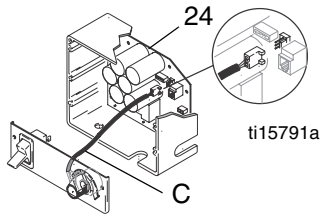
9. Assemble control box enclosure (3) to power module using two top screws (61). Torque to 30-35 in-lb.



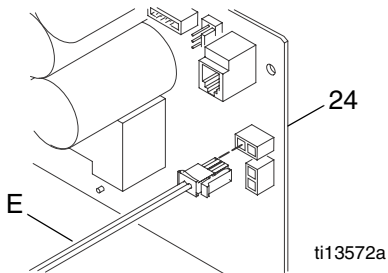
10. Connect blue (B) and black (G) power leads from motor control board (24) to filter board.



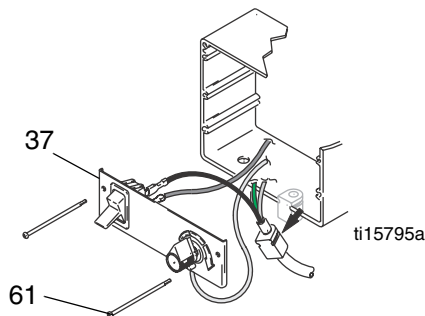
11. Connect potentiometer connector (C) to motor control board (24).



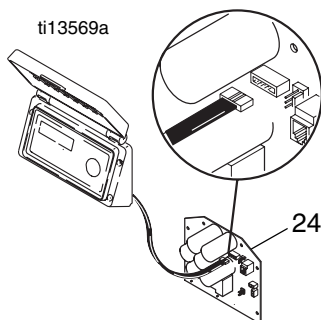
12. Connect Prime/Tool Fill/Recirculate reed switch connector (E) to motor control board (24).



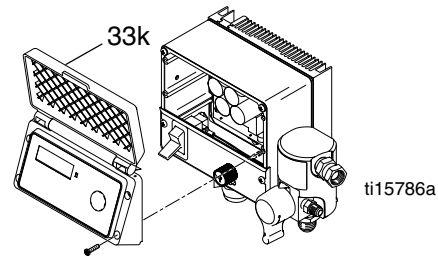
13. Replace control panel (37) and tighten bottom two screws (61). Torque to 30-35 in-lb.



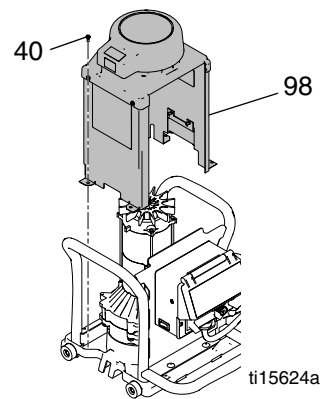
14. Connect display connector to motor control board (24).



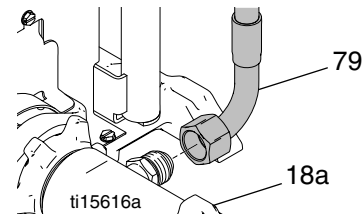
15. Assemble display cover (33k). Spring tabs on noise shield need to be assembled to the inside of the control box enclosure. Torque screws to 30-35 in-lb.



16. Replace motor shroud (98) and torque four screws (40) to 30 - 34 in-lb.



17. Reconnect material hose (79) to pump (18a).



18. Replace **Power Module**, see page 7.

Prime Valve Handle

Removal



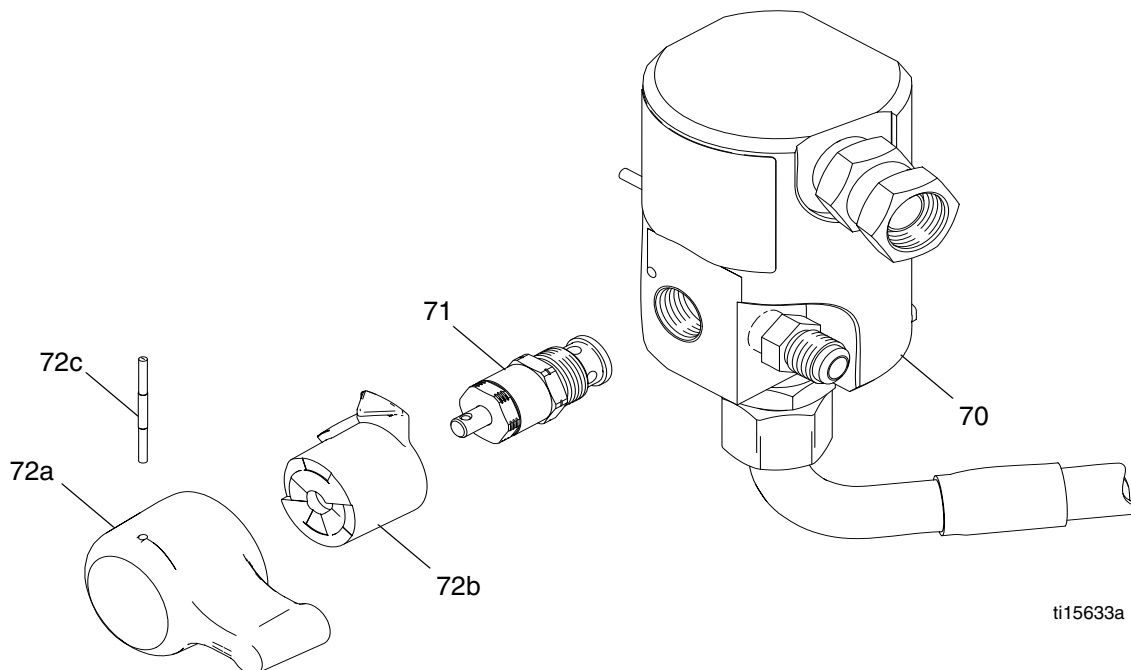
1. Perform **Pressure Relief Procedure**, see page 4. Wait 5 minutes before servicing.
2. Use 3/32 in. punch and hammer to tap out handle pin (72c) (pliers may be required to pull out handle pin). Pull off handle (72a) and base (72b).
3. Use crescent wrench to unscrew prime valve (71).

NOTE: Make sure that the seat and gasket are removed from the manifold.

4. Clear out any material that is lodged in valve (71) or manifold (70).

Installation

1. Tighten prime valve (71) into manifold (70). Use thread sealant on housing threads and torque to 190 to 210 in-lb.
2. Install prime valve base (72b). Pin in base must align with hole in manifold (70).
3. Orient hole in prime valve stem (71) vertically.
4. Place prime valve handle (72a) over prime valve base (72b) with handle in “apply” mode. Align hole in handle (72a) w/hole in prime valve stem (71).
5. Use hammer to tap prime valve handle pin (72c) back into place.



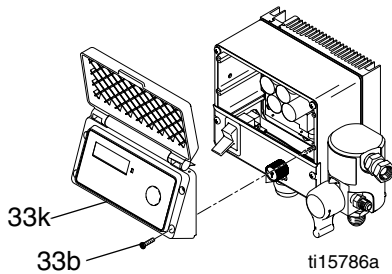
ti15633a

Pressure Transducer

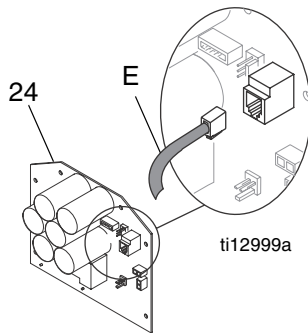
Removal



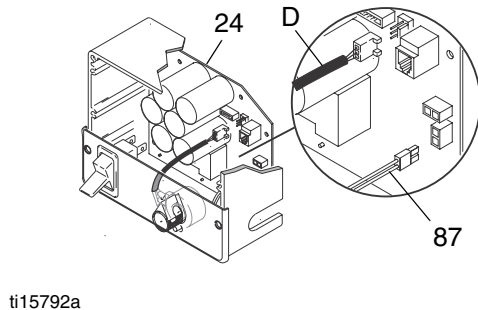
1. Perform **Pressure Relief Procedure**, see page 4. Wait 5 minutes before servicing.
2. Remove four screws (33b) and cover (33k).



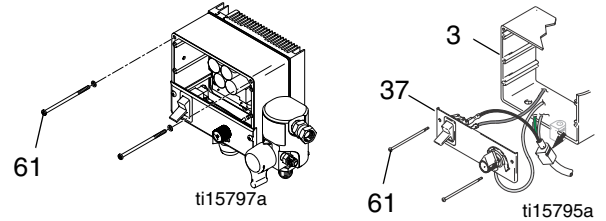
3. Disconnect transducer connector (E) from motor control board (24).



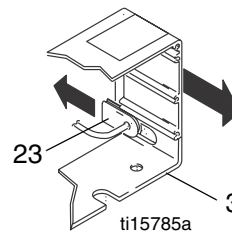
4. Disconnect potentiometer connector (D) and reed switch connector (87) from motor control board (24).



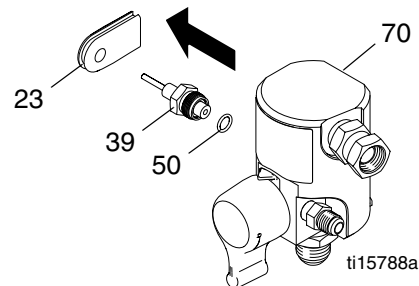
5. Remove four screws (61) and control box (3). Allow control panel (37) to hang down freely.



6. Remove grommet (23) from control box (3).

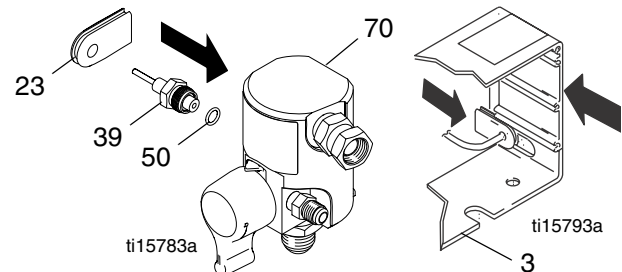


7. Remove transducer (39) and o-ring (50) from manifold (70). Remove grommet (23) from transducer and save for reuse.

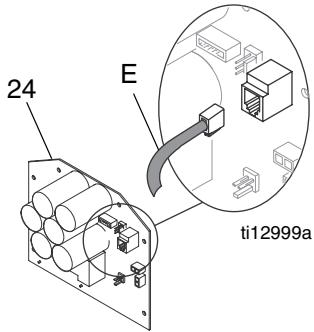


Installation

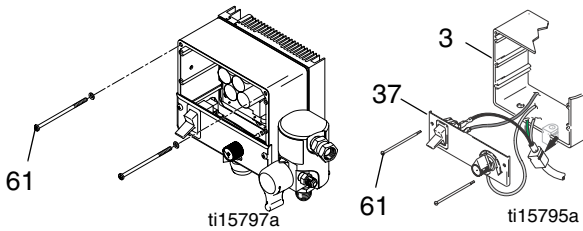
1. Install o-ring (50) and transducer (39) in manifold (70). Torque to 35-45 ft-lb (47-61 N•m). Install grommet onto transducer (39) and transducer into control box (3).



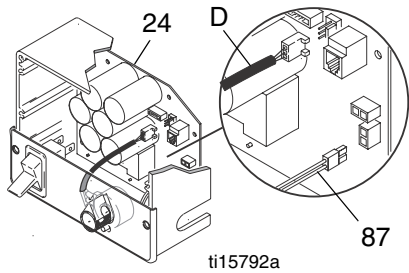
2. Connect transducer connector (E) and reed switch connector to control board (24).



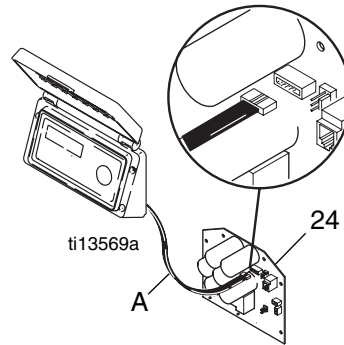
3. Install control box (3) and control panel (37) with four screws (61). Torque to 30 - 35 in-lb.



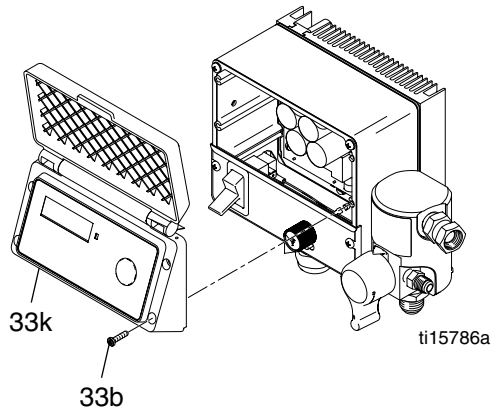
4. Connect potentiometer connector (D) and reed switch connector (87) to control board (24).



5. Connect display connector (A) to motor control board (24).



6. Install cover (33k) with four screws (33b). Torque to 30-35 in-lb. Make sure tabs on noise shield are routed inside the control box when assembling.

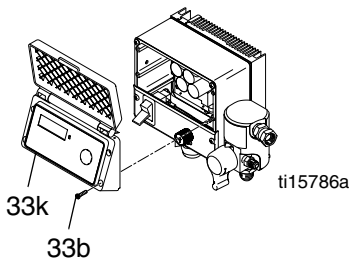


Flow Control Adjust Potentiometer

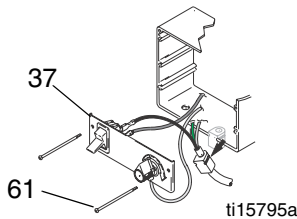
Removal



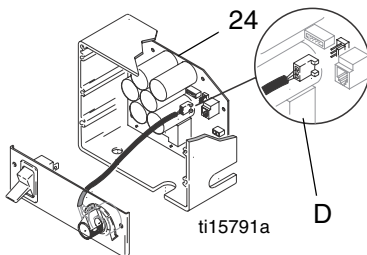
1. Perform **Pressure Relief Procedure**, see page 4. Wait 5 minutes before servicing.
2. Remove four screws (33b) and cover (33k).



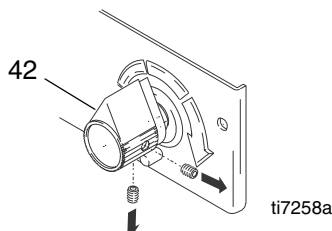
3. Remove bottom two screws (61) and remove control panel (37).



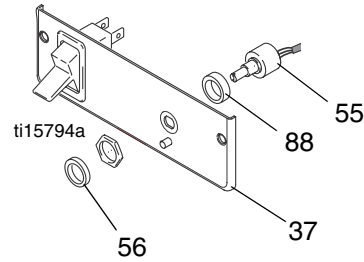
4. Disconnect potentiometer connector (D) from motor control board (24).



5. Use hex wrench to remove control knob (42).

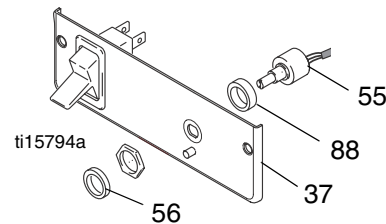


6. Remove gasket (56), nut, spacer (88) and potentiometer (55) from control panel (37).

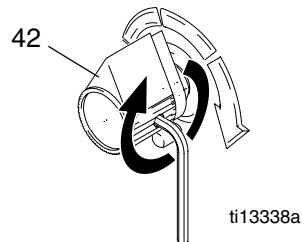


Installation

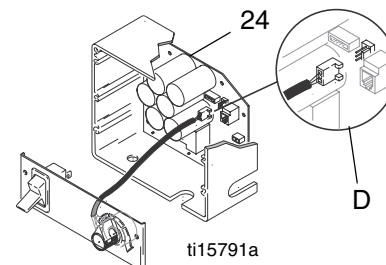
1. Install gasket (56), nut, spacer (88) and potentiometer (55) on control panel (37). Torque nut to 30-35 in-lb (3.25-4.0 N•m).



2. Install control knob (42): Check control knob alignment to potentiometer shaft. Turn shaft fully clockwise and attach knob in full ON position with a hex wrench. Make sure set screw is tightened flat against potentiometer shaft.

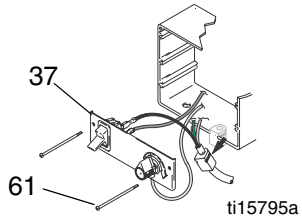


3. Connect potentiometer connector (D) to motor control board (24).

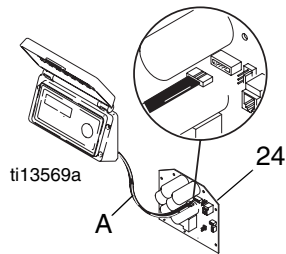


Flow Control Adjust Potentiometer

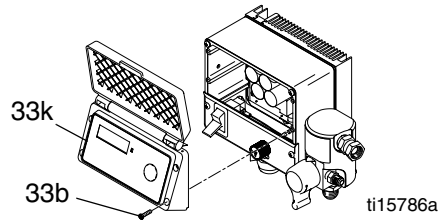
4. Replace control panel (37) and tighten bottom two screws (61). Torque to 30-35 in-lb.



5. Connect display connector (A) to motor control board (24).



6. Install cover (33k) with four screws (33b). Torque to 30-35 in-lb. Make sure tabs on noise shield are routed inside the control box when assembling.

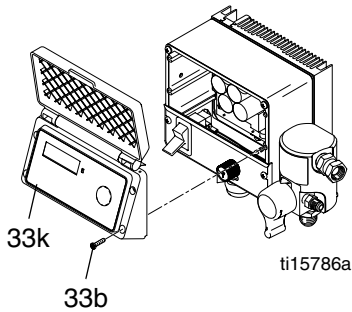


Prime/Tool Fill/Recirculation Reed Switch

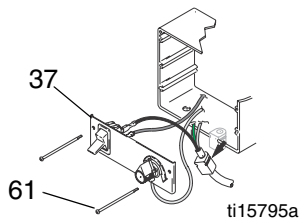
Removal



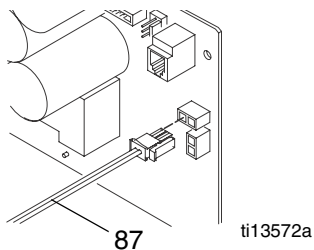
1. Perform **Pressure Relief Procedure**, see page 4. Wait 5 minutes before servicing.
2. Remove four screws (33b) and remove display cover (33k).



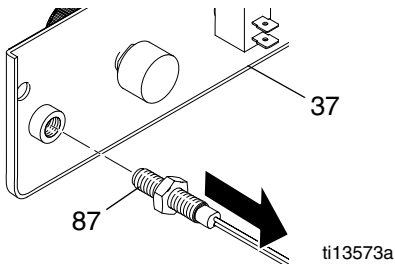
3. Remove bottom two screws (61) and remove control panel (37).



4. Unplug reed switch (87) from control board.

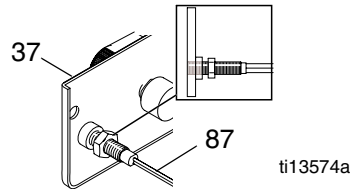


5. Unscrew reed switch (87) from control panel (37).

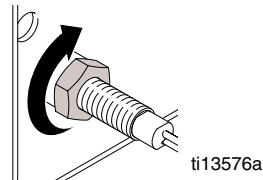


Installation

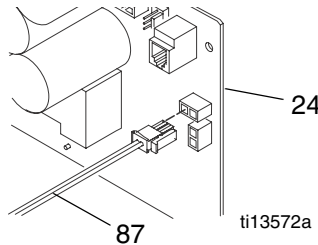
1. Apply thread sealant to end of reed switch (87). Hand-tighten reed switch until it is tight against control panel (37).



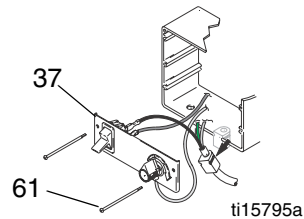
2. Add thread sealant and tighten jam nut against threaded bus.



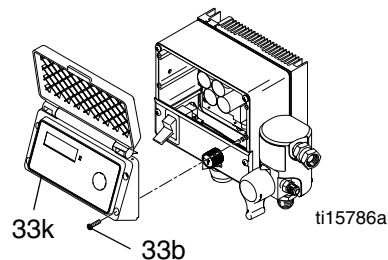
3. Connect reed switch (87) to control board (24).



4. Replace control panel (37) and tighten bottom two screws (61). Torque to 30-35 in-lb.



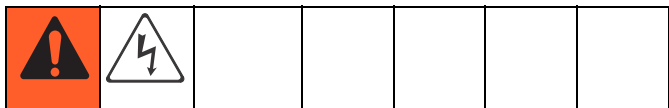
5. Replace display cover (33k) and torque four screws (33b) to 30-35 in-lb.



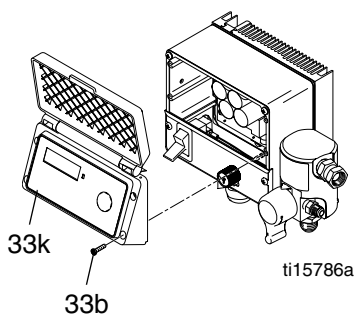
NOTE: Make sure noise shield tabs are routed to the inside of the control box when assembling.

Digital Display

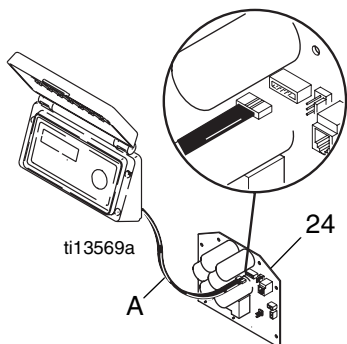
Removal



1. Turn off unit. Wait 5 minutes before servicing.
2. Remove four screws (33b) and remove display cover (33k).

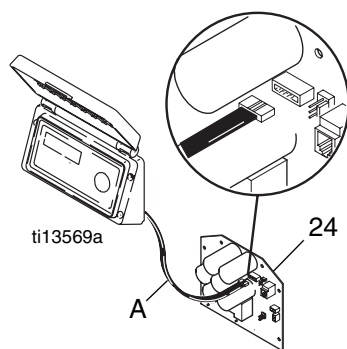


3. Unplug display board connector from motor control board (24).

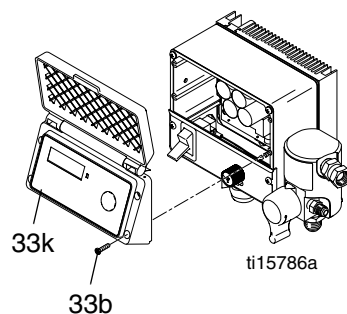


Installation

1. Plug display board connector (A) into motor control board (24).



2. Replace display cover (33k) and torque four screws (33b) to 30-35 in-lb.



NOTE: Make sure noise shield tabs are routed to the inside of the control box when assembling.

Inline Valve

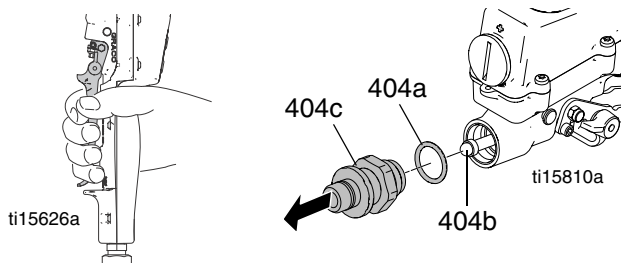
Changing the Needle

Removal

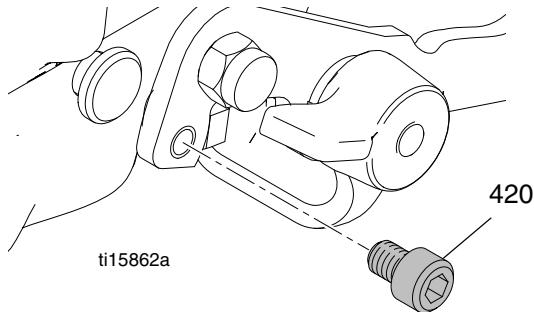


NOTE: Needle (404b), housing/seat (404c), and o-ring (404a) must be replaced together. They are included in repair kit 24F263.

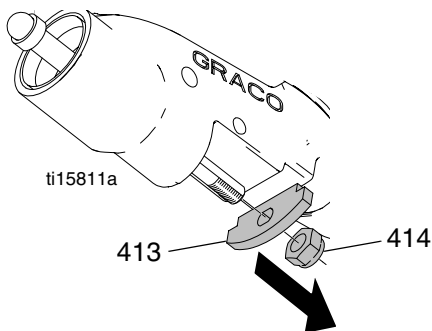
1. Perform **Pressure Relief Procedure**, see page 4.
2. Squeeze trigger while unscrewing housing/seat (404c) and o-ring (404a).



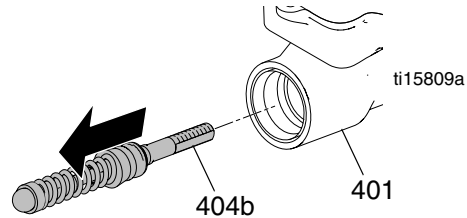
3. Remove trigger stop (420) with hex wrench.



4. Remove locknut (414) and bracket (413).

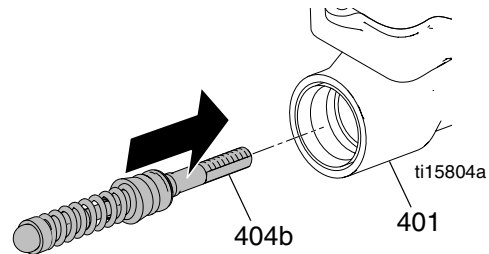


5. Tap rear of inline valve with a plastic mallet and punch to push needle assembly (404b) out through front of housing (401).

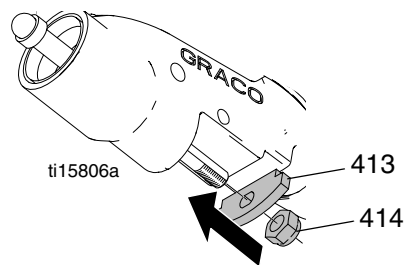


Installation

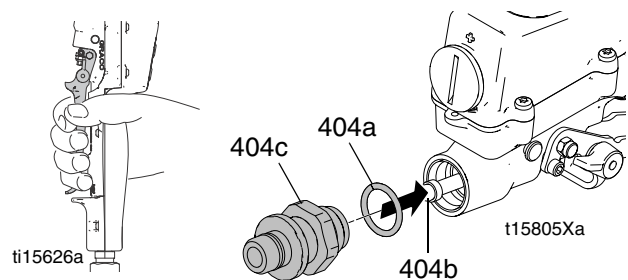
1. Guide threaded end of needle assembly (404b) into front of housing (401).



2. Install bracket (413) and locknut (414) loosely on threaded end of needle (404b). Squeeze trigger to pull needle assembly into housing (401).



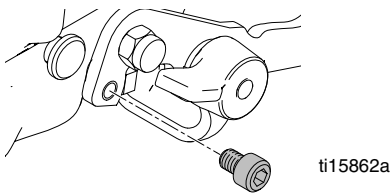
3. Squeeze trigger while installing o-ring (404a) and housing/seat (404c). Torque housing/seat to 26-32 ft-lb (35-43 N•m).



4. Adjust needle before using inline valve.

Needle Adjustment

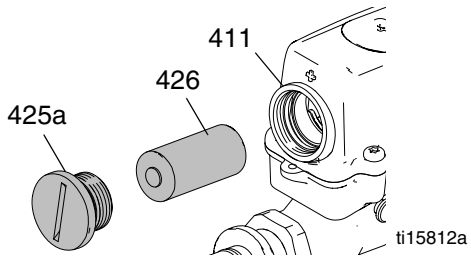
1. Engage inline valve (135) with safety latch. Hold inline valve with nozzle straight up.
2. Hold your finger against trigger (410) with light pressure. Use a 5/16 open-ended wrench to turn locknut (414) clockwise until you feel trigger lift slightly.
3. Turn locknut (414) 3/4 turn counter-clockwise.
4. Connect fluid hose. Prime the system. Trigger inline valve (135) and release it. The fluid flow should stop immediately. Engage safety latch and try to trigger inline valve. No fluid should flow. If the inline valve fails either test, relieve pressure, disconnect hose and readjust needle.
5. Install trigger stop (420) when needle has been properly adjusted.



Replacing the Battery

Removal

1. Unscrew battery cap (425a) from housing (411). Remove battery and discard.



Installation

1. Install battery (426) in housing (411) and screw in battery cap (425a).

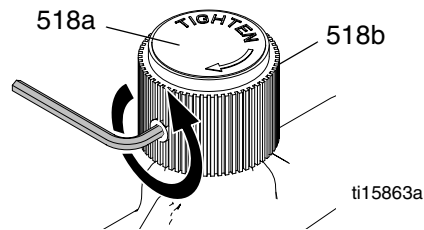
NOTE: Make sure o-ring (425b) is in place when installing the battery cap (425a).

Box Slide Control

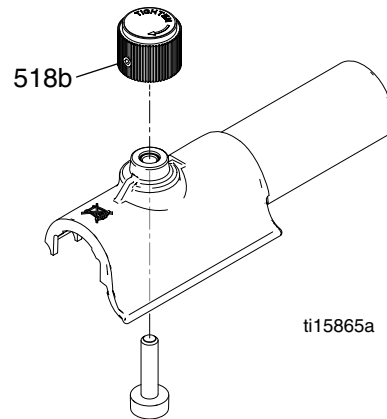
Use Brake Assembly Repair Kit 24F261

Removal

1. Remove set screw from brake knob (518b).



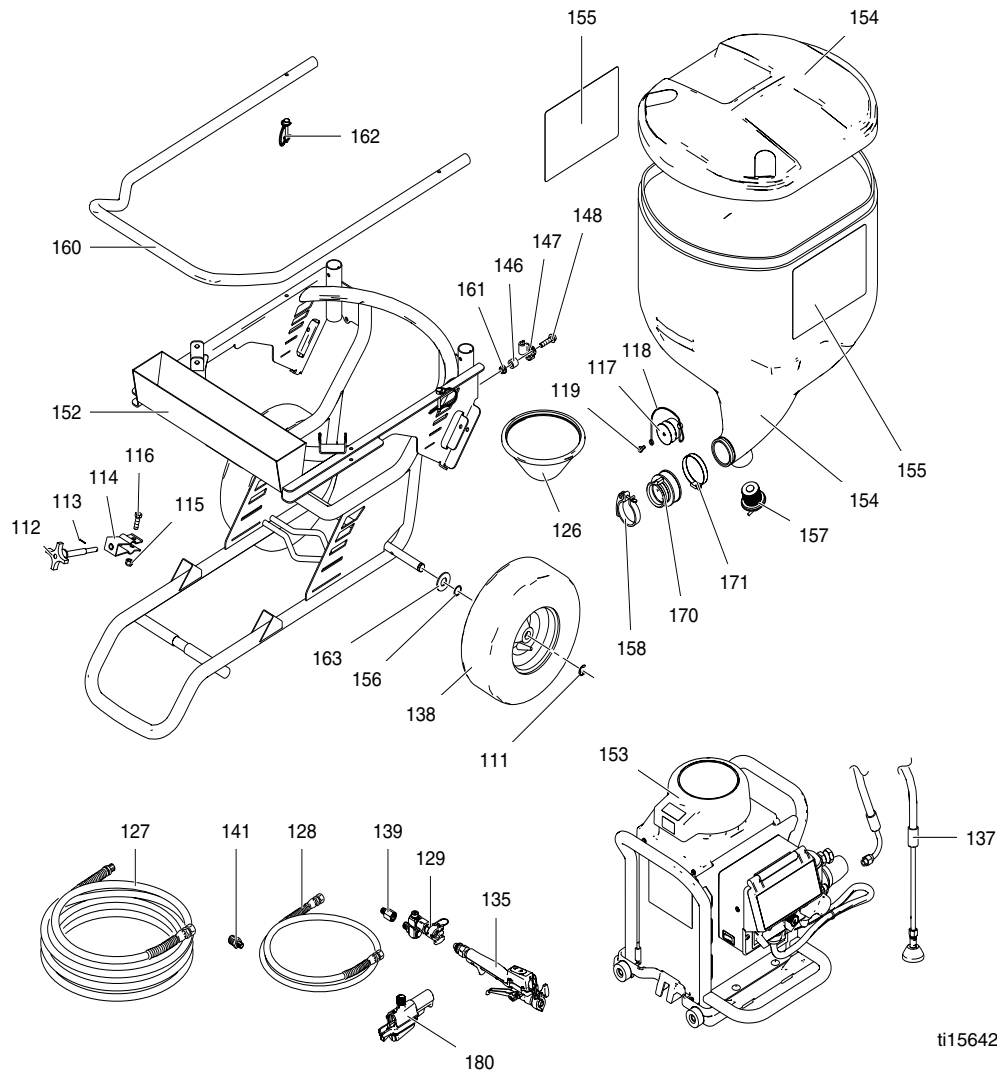
2. Unthread brake knob (518b) from assembly.



Installation

1. Thread brake knob (518b) onto assembly
2. Apply label (518a).
3. Torque set screw to 15-20 in-lb.

Parts



ti15642a

Ref.	Part	Description	Qty.	Ref.	Part	Description	Qty.
111	120211	RING, retaining, e-ring	2	147	278204	CLIP, drain line	1
112	15C799	ROD, clamp	1	148	112785	SCREW, hex HD, flanged	1
113	104430	PIN, cotter	1	152	15R633	FRAME, painted, TMAX	1
114	15C797	BRACKET, swivel	1	153	257047	MODULE, power, ETL listed	1
115	101566	NUT, lock	1		258890	MODULE, power, CE listed	1
116	100004	SCREW, cap, hex HD	1		258893	MODULE, power, UK CE listed	1
117	15D306	PLUG, adapter, hopper, texture	1		262289	MODULE, power, 120V	1
118	121458	TIE, lanyard	1		262299	MODULE, power, CE Cord	1
119	100333	SCREW, cap, hex HD	1	154	289668	HOPPER, assembly	1
126	16C298	FILTER, hopper	1	155	16D307	LABEL, brand, drywall us, hopper	2
127	257133	HOSE, cpld, 1/2 in. mx 50 ft	1	156	116038	WASHER, wave spring	2
128	223756	HOSE, cpld, 1/4 in. x 15 ft	1	157	121308	PLUG, expanding	1
129	24D166	SWIVEL, Z, complete	1	158	234188	CLAMP, quick release	1
135	24F538	VALVE, inline, assembly	1	160	15R639	HANDLE, TMAX	1
137	24E958	KIT, drain, hose	1	161	112958	NUT, hex, flanged	1
138	122267	WHEEL, foam	2	162	121313	PIN, locking, 1/4 in.	2
139	150287	COUPLING	1	163	156306	WASHER, flat	2
141	162449	FITTING, nipple, reducing	1	170	15R609	FITTING, hopper, adapter	1
146	16C794	SPACER, .75 OD X .4 ID X .625	1	171	102905	CLAMP, hose	1
				180	24F463	KIT, control, box slide	1

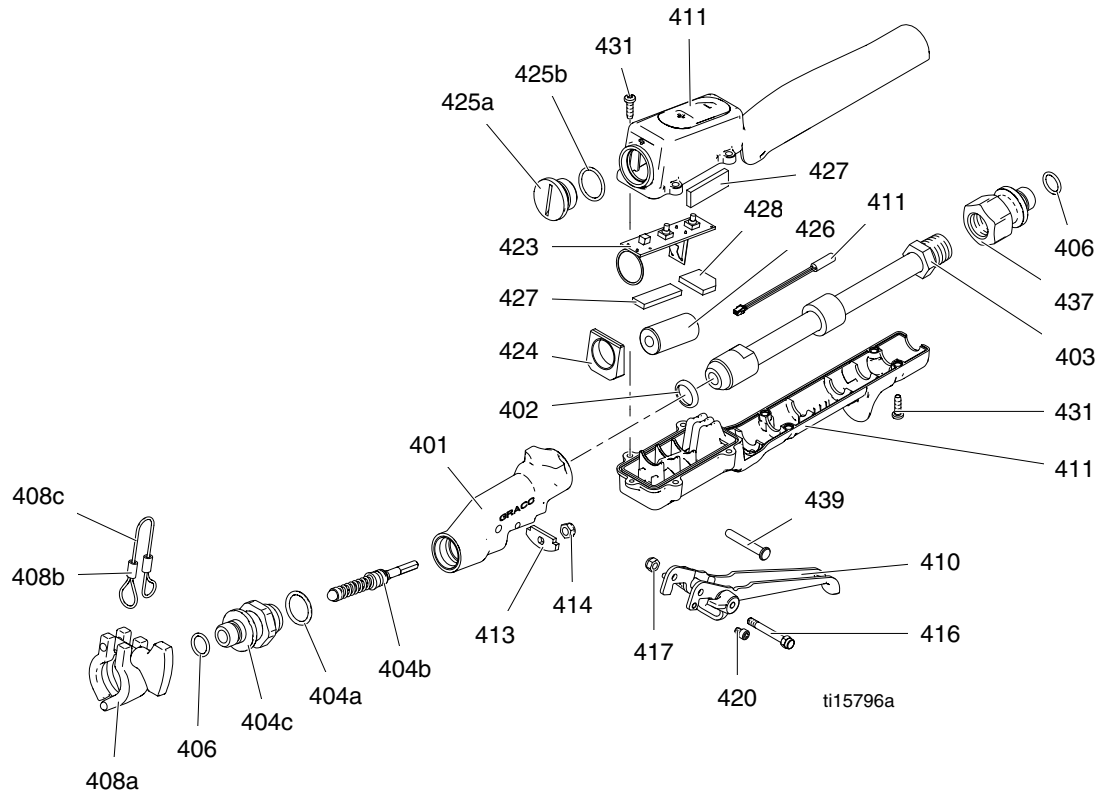
Pump Module Parts List

Ref.	Part	Description	Qty.	Ref.	Part	Description	Qty.
3	15G700	BOX, control	1	41	15H066	CORD, power (Model 257047)	1
	15D431	BOX, control, CE and UK	1		15H065	CORD, power (Model 262289)	1
4	277657	GUIDE, base	4		15D528	CORD, power, CE	1
5	24E959	KIT, housing, drive	1		15D530	CORD, power, UK	1
5a		HOUSING, drive	1		15D529	CORD, power, global	1
5b	120981	SCREW, mach, hex washer HD	2	42	116167	KNOB, potentiometer	1
5c	15C753	SCREW, mach, hex wash HD	3	43	120059	SWITCH, rocker	1
5d	116192	WASHER, thrust	1	46	287943	KIT, repair, coil	1
6	100023	WASHER, flat	4	46a		COIL	1
7	287720	KIT, rod, connecting	1	46b	120223	SCREW, machine, flat head	1
7a		ROD, connecting	1	46c	116969	NUT, lock	1
7b	15F856	PIN, pump	1	48	15T629	SHIELD, pump rod	1
7c	119778	SPRING, retaining	1	50	111457	PACKING, o-ring	1
8	24D362	KIT, motor, electric	1	54	15G935	CONNECTOR, electrical	1
8a		MOTOR, electric	1	55	256219	POTENTIOMETR, assembly	1
8b	15V577	FAN, motor	1	56	15C973	GASKET	1
8c	122347	RING, retaining, external	1	58	114391	SCREW, grounding	1
9	240724	HOUSING, bearing	1	61	123128	SCREW, mach, pan head, 10-24X4	4
10	113817	BUMPER	2	70	15X122	MANIFOLD, fluid	1
17	287290	KIT, gear, combination	1	71	24B339	VALVE, prime, heavy duty	1
17a		GEAR, combo	1	72	24E960	KIT, handle	1
17b	114699	WASHER, thrust	1	72a		HANDLE, valve, prime	1
17c	114672	WASHER, thrust	2	72b	24A382	BASE, valve, heavy duty	1
18	24E957	KIT, pump, displacement	1	72c	15C972	PIN, grooved	1
18a		PUMP, displacement	1	74	15Y934	FITTING, 5/8 JIC / 3/4 NPT	1
18b	15Y925	FITTING, 5/8 JIC / 1/2 NPT	1	75	121112	SCREW, cap, socket head	4
19	114666	SCREW, cap, socket head	4	78	190451	UNION, adapter	1
20	106115	WASHER, lock (hi-collar)	4	79	16C350	HOSE, coupled	1
21	16D622	SHIELD, assy, painted	1	80	118484	FITTING, connector	1
22	193031	NUT, retaining	1	81	15X902	LABEL, euro	1
23	15D033	GROMMET, transducer	1	83	110637	SCREW, mach, panhead	2
24	258843†	CONTROL, board, drywall feed	1	84	16C993	GROMMET, motor lead	1
	258889*	CONTROL, board, drywall (240V)	1	87	258644	KIT, reed switch (includes reed switch and sealant)	1
25	100016	WASHER, lock	4	88	198650	SPACER, shaft	1
27	116171	BUSHING, strain relief	1	92	16D004	LABEL, drywall dump valve indent	1
28	112746	NUT, lock, nylon, thin pattern	4	94	16D640	GASKET, control	2
29	107129	BOLT, round head	4	98	16D624	SHIELD, base, painted	1
32	260215	SCREW, hex HD	2	99	16C681	LABEL, no weight & no step	1
33	24F259	KIT, repair, display	1	101	16E335	LABEL, graco	1
33a	115522	SCREW, mach, PNH	3	102	15U014	LABEL, cap	1
33b	116252	SCREW, #10, taptite phil	4	104	16D653	LABEL, drywall warning label	1
33c		CONTROL, board, receiver	1	105	15Y118	LABEL, Made in the USA	1
33d	15X508	LABEL, brand, smartcontrol LCD	1	108	116876	WASHER, flat	2
33e		PAD, foam	1	109	119228	SCREW, mach, flat hd	4
33h	15X507	LABEL, smartcontrol	1	110	257905	CONTROL, board	1
33j		SEAL, extruded w/adhesive	1	181	195551	CLIP, retaining	1
33k		COVER, control	1	182	242001	CORD SET, adapter, Europe	1
33m	16D642	GASKET	1	183	287121	CORD SET, adapter, Italy, Denmark, Switzerland	1
36	15D036	GASKET, control box	1				
37	15X617	PANEL, control	1				
38	15C979	SWITCH, rocker	1				
	15D527	SWITCH, rocker (240V)	1				
39	243222	TRANSDUCER, flow control	1				
40	118444	SCREW, mach, slot hex wash HD	10				

† 257600 Repair Kit is available with control board only.

* 257601 Repair Kit is available with control board only.

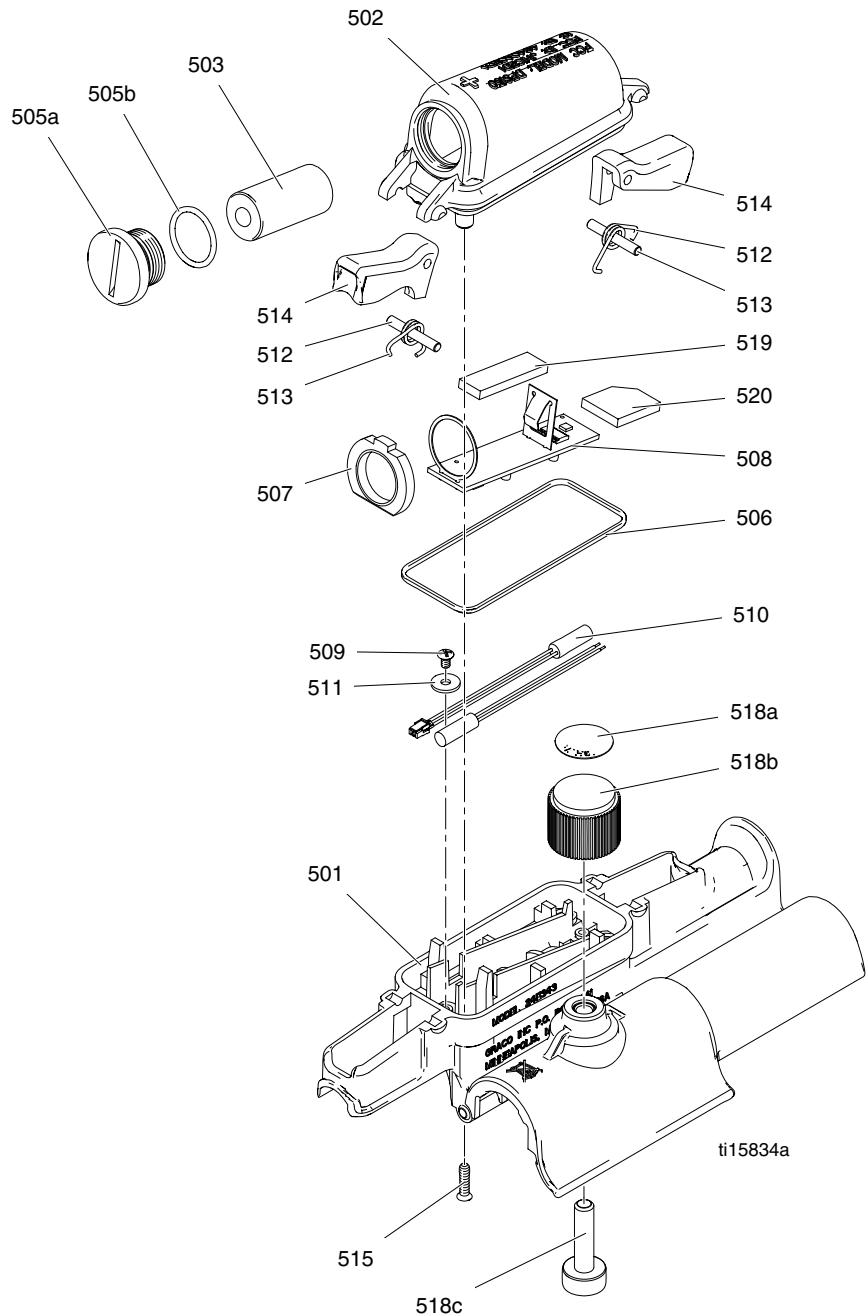
Inline Valve Parts 24F538



Ref.	Part	Description	Qty.	Ref.	Part	Description	Qty.
401	15Y164	HOUSING, fluid	1	417	15Y526	NUT, lock, m4 sst	1
402	179733	SEAL, sleeve	1	420	15Y200	FASTENER, pan head, 6-32 x .188 sst	1
403	15Y204	FLUID, tube	1	423	256228	CONTROL, board, transmitter	1
404	24F263	KIT, inline valve needle and seat	1	424	15Y201	NUT, battery, wedged	1
404a	104444	PACKING, o-ring	1	425	24F260	KIT, battery cap	1
404b		NEEDLE, gun, assembly	1	425a		CAP PLUG, battery	1
404c	257590	HOUSING, seat, .188 orifice	1	425b	108284	PACKING, o-ring	1
406†	103338	PACKING, o-ring	2	426	15X949	BATTERY, CR123A, lithium, 3 volt	1
408	24F269	KIT, sanitary clamp	1	427	15X950	PAD, foam, isolator	2
408a		CLAMP, 1 in. sanitary	1	428	15X951	PAD, foam, isolator	1
408b		SLEEVE, oval	2	431	15Y263	FASTENER, self tapping, 6-32x.5 sst	8
408c		CABLE	1	437	16C346	ADAPTER, 3/8 nptf x 1.00 rad seal	1
410	257580	TRIGGER, w/magnet	1	439	16C952	PIN, clevis, fastener	1
411	257790	HOUSING, valve w/ overmold	1				
413	197058	BRACKET, stem	1				
414	107110	LOCKNUT	1				
416	177538	STUD, trigger	1				

† Repair Kit 24F262 is a 10-pack.

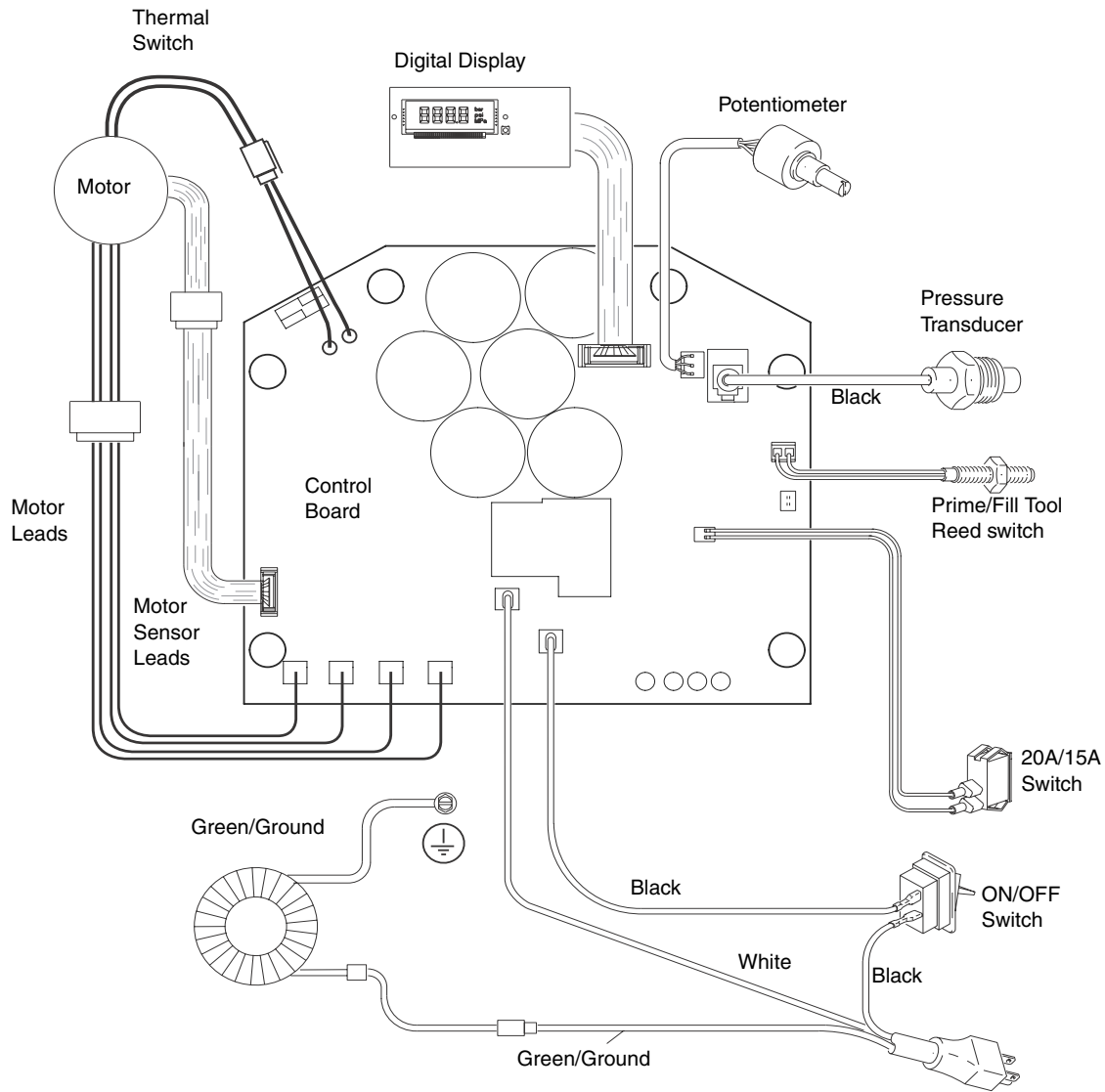
Box Slide Parts 24F463



Ref.	Part	Description	Qty.	Ref.	Part	Description	Qty.
501	258993	BASE, hinge assembly	1	511	16D937	WASHER, .12id x.38od x.04 thk	2
502	16D718	LID, slide control	1	512	16D760	PIN, trigger	2
503	15X949	BATTERY, CR123A, lithium, 3 volt	1	513	16D765	SPRING, trigger torsion	2
505	24F260	KIT, battery cap	1	514	24E473	TRIGGER, magnet assembly	2
505a		CAP PLUG, battery	1	515	122665	SCREW, fhcs, 4-20 x .50	4
505b	108284	PACKING, o-ring	1	518	24F261	KIT, box slide control brake	1
506	C20272	PACKING, o-ring	1	518a	16E022	LABEL, drywall, round	1
507	16D761	NUT, battery cap	1	518b	121591	KNOB, .25 dia. shaft, w/setscrew	1
508	256228	CONTROL, board, transmitter	1	518c	16D763	BRAKE, slide control	1
509	101855	SCREW, tapping, pnhd	2	519	15X950	PAD, foam, isolator	1
510	16D933	SWITCH, dual in-line reed	1	520	15X951	PAD, foam, isolator	1

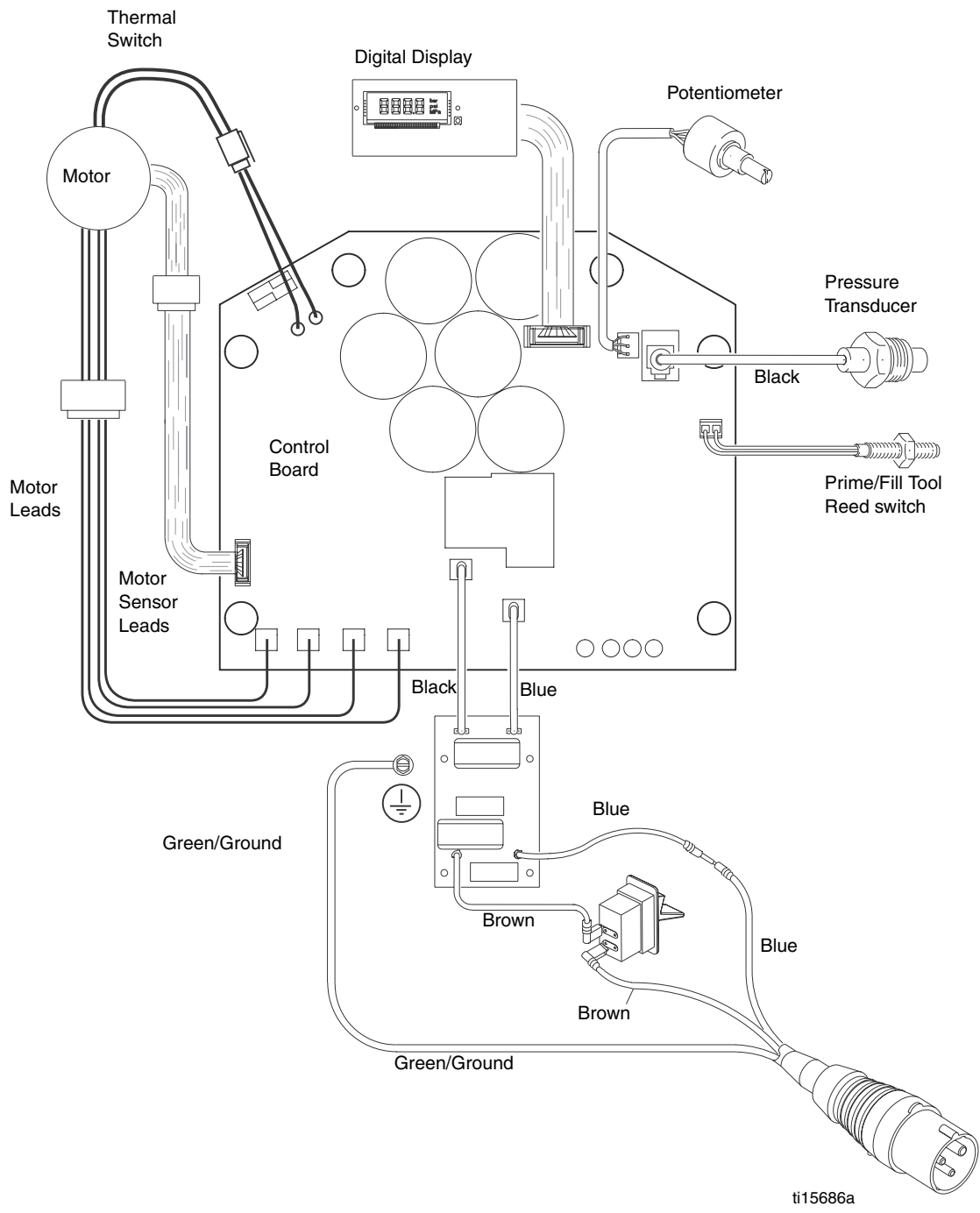
Wiring Diagrams

100-120 VAC NA Units

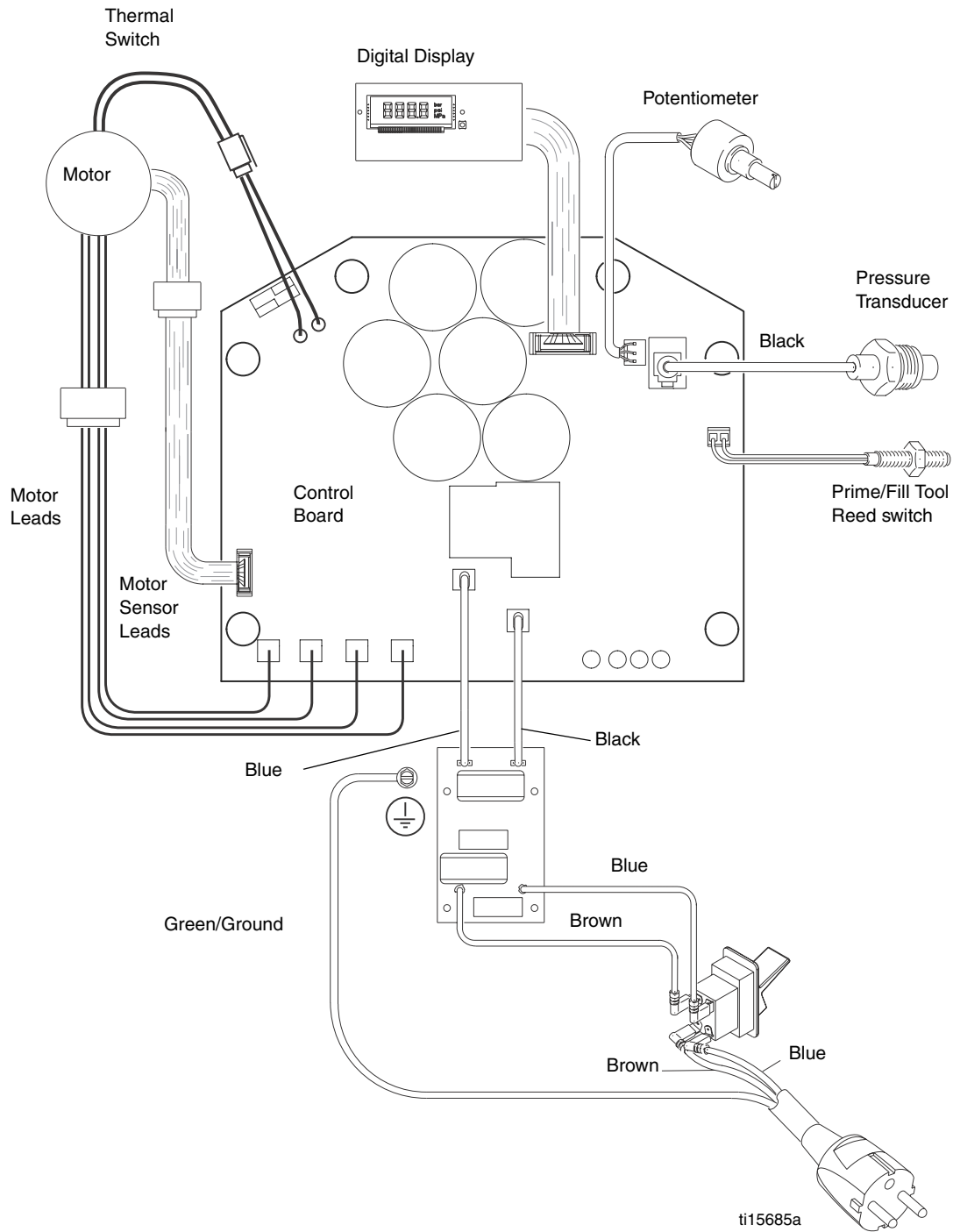


ti14889a

100-120 VAC UK



220-240 VAC Units



Technical Data (Unit)

Power requirements:	
Models 257100, 262288	100-120 VAC, 60 Hz, 15/20A
Models 258906, 262300	220-240 VAC, 50 Hz, 10A
Model 258907	100-120 VAC, 50/60 Hz, 15A
Motor HP (W)	2.5 (1864)
Maximum fluid working pressure	2500 psi (17.2 MPa, 172 bar)
Hopper capacity	25 gallons (95 liters)
Maximum delivery with texture material	Up to 1.5 gpm (5.7 lpm) - varies depending on material
Maximum hose length	150 ft of 1/2 in. hose plus 15 ft of 1/4 in. hose
Fluid outlet size	1/2 in. NPT female swivel
Dimensions	
Length	40 to 55 in. (102 cm to 140 cm) with handle
Width	22 in. (56 cm)
Height	31 in. (79 cm)
Weight (with hoses and applicator)	196 lb (89 kg)
Wetted parts	Buna-N, aluminum, brass, polyethylene, neoprene, stainless steel, nickel-plated carbon steel, fluoroelastomer, nickel-plated iron, wool felt, tungsten carbide, PTFE, nylon, zinc-plated carbon steel, paper, PVC, UHMWPE, leather, rubber
Sound data for drywall feed pump	
Sound pressure level *	80.0 dB(A)
Sound power level †	94.7 dB(A)
* Measured while dispensing at 1 m	
† Measured per ISO-3744	

Technical Data (Pump)

Maximum working pressure	2500 psi (172 bar, 17.2 MPa)
Fluid outlet size	1/2 npt(f)

Graco Standard Warranty

Graco warrants all equipment referenced in this document which is manufactured by Graco and bearing its name to be free from defects in material and workmanship on the date of sale to the original purchaser for use. With the exception of any special, extended, or limited warranty published by Graco, Graco will, for a period of twelve months from the date of sale, repair or replace any part of the equipment determined by Graco to be defective. This warranty applies only when the equipment is installed, operated and maintained in accordance with Graco's written recommendations.

This warranty does not cover, and Graco shall not be liable for general wear and tear, or any malfunction, damage or wear caused by faulty installation, misapplication, abrasion, corrosion, inadequate or improper maintenance, negligence, accident, tampering, or substitution of non-Graco component parts. Nor shall Graco be liable for malfunction, damage or wear caused by the incompatibility of Graco equipment with structures, accessories, equipment or materials not supplied by Graco, or the improper design, manufacture, installation, operation or maintenance of structures, accessories, equipment or materials not supplied by Graco.

This warranty is conditioned upon the prepaid return of the equipment claimed to be defective to an authorized Graco distributor for verification of the claimed defect. If the claimed defect is verified, Graco will repair or replace free of charge any defective parts. The equipment will be returned to the original purchaser transportation prepaid. If inspection of the equipment does not disclose any defect in material or workmanship, repairs will be made at a reasonable charge, which charges may include the costs of parts, labor, and transportation.

THIS WARRANTY IS EXCLUSIVE, AND IS IN LIEU OF ANY OTHER WARRANTIES, EXPRESS OR IMPLIED, INCLUDING BUT NOT LIMITED TO WARRANTY OF MERCHANTABILITY OR WARRANTY OF FITNESS FOR A PARTICULAR PURPOSE.

Graco's sole obligation and buyer's sole remedy for any breach of warranty shall be as set forth above. The buyer agrees that no other remedy (including, but not limited to, incidental or consequential damages for lost profits, lost sales, injury to person or property, or any other incidental or consequential loss) shall be available. Any action for breach of warranty must be brought within two (2) years of the date of sale.

GRACO MAKES NO WARRANTY, AND DISCLAIMS ALL IMPLIED WARRANTIES OF MERCHANTABILITY AND FITNESS FOR A PARTICULAR PURPOSE, IN CONNECTION WITH ACCESSORIES, EQUIPMENT, MATERIALS OR COMPONENTS SOLD BUT NOT MANUFACTURED BY GRACO. These items sold, but not manufactured by Graco (such as electric motors, switches, hose, etc.), are subject to the warranty, if any, of their manufacturer. Graco will provide purchaser with reasonable assistance in making any claim for breach of these warranties.

In no event will Graco be liable for indirect, incidental, special or consequential damages resulting from Graco supplying equipment hereunder, or the furnishing, performance, or use of any products or other goods sold hereto, whether due to a breach of contract, breach of warranty, the negligence of Graco, or otherwise.

FOR GRACO CANADA CUSTOMERS

The Parties acknowledge that they have required that the present document, as well as all documents, notices and legal proceedings entered into, given or instituted pursuant hereto or relating directly or indirectly hereto, be drawn up in English. Les parties reconnaissent avoir convenu que la rédaction du présente document sera en Anglais, ainsi que tous documents, avis et procédures judiciaires exécutés, donnés ou intentés, à la suite de ou en rapport, directement ou indirectement, avec les procédures concernées.

Graco Information

For the latest information about Graco products, visit www.graco.com.

TO PLACE AN ORDER, contact your Graco distributor or call 1-800-690-2894 to identify the nearest distributor.

All written and visual data contained in this document reflects the latest product information available at the time of publication. Graco reserves the right to make changes at any time without notice.

Original instructions. This manual contains English. MM 3A0246

Graco Headquarters: Minneapolis

International Offices: Belgium, China, Japan, Korea

GRACO INC. P.O. BOX 1441 MINNEAPOLIS, MN 55440-1441

Copyright 2010, Graco Inc. is registered to ISO 9001

www.graco.com

Revised 02/2011

Free Manuals Download Website

<http://myh66.com>

<http://usermanuals.us>

<http://www.somanuals.com>

<http://www.4manuals.cc>

<http://www.manual-lib.com>

<http://www.404manual.com>

<http://www.luxmanual.com>

<http://aubethermostatmanual.com>

Golf course search by state

<http://golfingnear.com>

Email search by domain

<http://emailbydomain.com>

Auto manuals search

<http://auto.somanuals.com>

TV manuals search

<http://tv.somanuals.com>