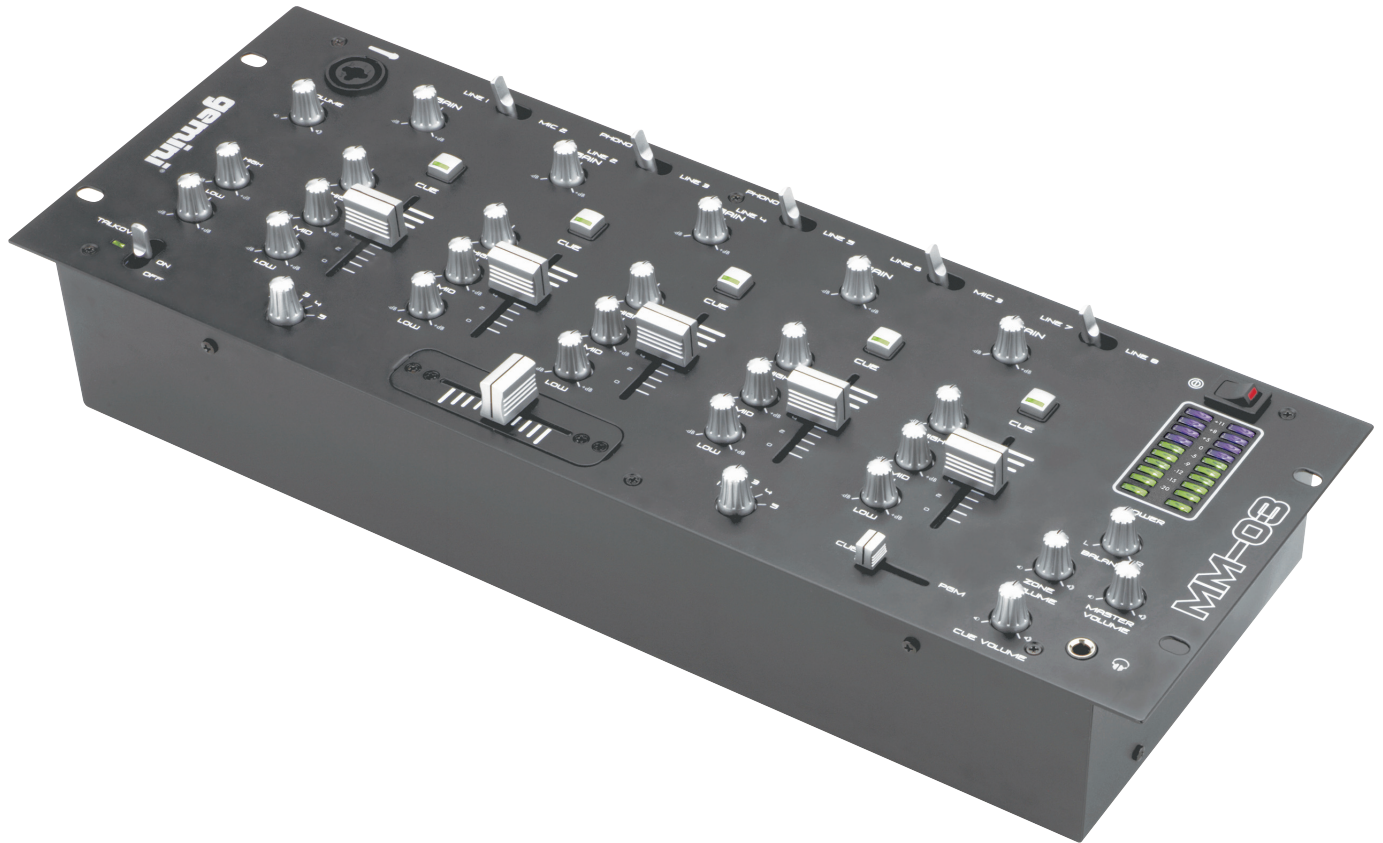


MM-03

4U 19" Rack Mounted Club Mixer
19"- 4HE- CLUBMIXER FÜR RACKEINBAU
MEZCLADOR CLUB DE 4U PARA MONTAR EN RACK 19"
CONSOLE DE MIXAGE CLUB RACKABKE 19" X 4U

OPERATIONS MANUAL
BEDIENUNGSHANDBUCH
MANUAL DEL OPERADOR
MANUEL D'INSTRUCTIONS



03



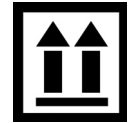
MULTI LANGUAGE INSTRUCTIONS

ENGLISH.....	PAGE 4
DEUTSCH.....	PAGE 6
ESPAÑOL.....	PAGE 8
FRANCAIS.....	PAGE 10

PLEASE READ BEFORE USING APPLIANCE, IMPORTANT WARNING & SAFETY INSTRUCTIONS!



CAUTION
RISK OF ELECTRICAL SHOCK DO NOT OPEN!



CAUTION: This product satisfies FCC regulations when shielded cables and connectors are used to connect the unit to other equipment. To prevent electromagnetic interference with electric appliances such as radios and televisions, use shielded cables and connectors for connections.

The exclamation point within an equilateral triangle is intended to alert the user to the presence of important operating and maintenance (servicing) instructions in the literature accompanying the appliance.

The lightning flash with arrowhead symbol, within an equilateral triangle, is intended to alert the user to the presence of uninsulated "dangerous voltage" within the product's enclosure that may be of sufficient magnitude to constitute a risk of electric shock to persons.

READ INSTRUCTIONS: All the safety and operating instructions should be read before the product is operated.

RETAIN INSTRUCTIONS: The safety and operating instructions should be retained for future reference.

HEED WARNINGS: All warnings on the product and in the operating instructions should be adhered to.

FOLLOW INSTRUCTIONS: All operating and use instructions should be followed.

CLEANING: The product should be cleaned only with a polishing cloth or a soft dry cloth. Never clean with furniture wax, benzene, insecticides or other volatile liquids since they may corrode the cabinet.

ATTACHMENTS: Do not use attachments not recommended by the product manufacturer as they may cause hazards.

WATER AND MOISTURE: Do not use this product near water, for example, near a bathtub, wash bowl, kitchen sink, or laundry tub; in a wet basement; or near a swimming pool; and the like.

ACCESSORIES: Do not place this product on an unstable cart, stand, tripod, bracket, or table. The product may fall, causing serious injury to a child or adult, and serious damage to the product. Use only with a cart, stand, tripod, bracket, or table recommended by the manufacturer, or sold with the product. Any mounting of the product should follow the manufacturer's instructions, and should use a mounting accessory recommended by the manufacturer.

CART: A product and cart combination should be moved with care. Quick stops, excessive force, and uneven surfaces may cause the product and cart combination to overturn. See **Figure A**.

VENTILATION: Slots and openings in the cabinet are provided for ventilation and to ensure reliable operation of the product and to protect it from overheating, and these openings must not be blocked or covered. The openings should never be blocked by placing the product on a bed, sofa, rug, or other similar surface. This product should not be placed in a built-in installation such as a bookcase or rack unless proper ventilation is provided or the manufacturer's instructions have been adhered to.

POWER SOURCES: This product should be operated only from the type of power source indicated on the marking label. If you are not sure of the type of power supply to your home, consult your product dealer or local power company.

LOCATION: The appliance should be installed in a stable location.

NON-USE PERIODS: The power cord of the appliance should be unplugged from the outlet when left unused for a long period of time.

GROUNDING OR POLARIZATION:

- If this product is equipped with a polarized alternating current line plug (a plug having one blade wider than the other), it will fit into the outlet only one way. This is a safety feature. If you are unable to insert the plug fully into the outlet, try reversing the plug. If the plug should still fail to fit, contact your electrician to replace your obsolete outlet. Do not defeat the safety purpose of the polarized plug.
- If this product is equipped with a three-wire grounding type plug, a plug having a third (grounding) pin, it will only fit into a grounding type power outlet. This is a safety feature. If you are unable to insert the plug into the outlet, contact your electrician to replace your obsolete outlet. Do not defeat the safety purpose of the grounding type plug.

POWER-CORD PROTECTION: Power-supply cords should be routed so that they are not likely to be walked on or pinched by items placed upon or against them, paying particular attention to cords at plugs, convenience receptacles, and the point where they exit from the product.

OUTDOOR ANTENNA GROUNDING: If an outside antenna or cable system is connected to the product, be sure the antenna or cable system is grounded so as

to provide some protection against voltage surges and built-up static charges. Article 810 of the National Electrical Code, ANSI/NFPA 70, provides information with regard to proper grounding of the mast and supporting structure, grounding of the lead-in wire to an antenna discharge unit, size of grounding conductors, location of antenna-discharge unit, connection to grounding electrodes, and requirements for the grounding electrode. See **Figure B**.

LIGHTNING: For added protection for this product during a lightning storm, or when it is left unattended and unused for long periods of time, unplug it from the wall outlet and disconnect the antenna or cable system. This will prevent damage to the product due to lightning and power-line surges.

POWER LINES: An outside antenna system should not be located in the vicinity of overhead power lines or other electric light or power circuits, or where it can fall into such power lines or circuits. When installing an outside antenna system, extreme care should be taken to keep from touching such power lines or circuits as contact with them might be fatal.

OVERLOADING: Do not overload wall outlets, extension cords, or integral convenience receptacles as this can result in a risk of fire or electric shock.

OBJECT AND LIQUID ENTRY: Never push objects of any kind into this product through openings as they may touch dangerous voltage points or short-out parts that could result in a fire or electric shock. Never spill liquid of any kind on the product.

SERVICING: Do not attempt to service this product yourself as opening or removing covers may expose you to dangerous voltage or other hazards. Refer all servicing to qualified service personnel.

DAMAGE REQUIRING SERVICE: Unplug this product from the wall outlet and refer servicing to qualified service personnel under the following conditions:

- When the power-supply cord or plug is damaged.
- If liquid has been spilled, or objects have fallen into the product.
- If the product has been exposed to rain or water.
- If the product does not operate normally by following the operating instructions. Adjust only those controls that are covered by the operating instructions as an improper adjustment of other controls may result in damage and will often require extensive work by a qualified technician to restore the product to its normal operation.
- If the product has been dropped or damaged in any way.
- When the product exhibits a distinct change in performance, this indicates a need for service.

REPLACEMENT PARTS: When replacement parts are required, be sure the service technician has used replacement parts specified by the manufacturer or have the same characteristics as the original part. Unauthorized substitutions may result in fire, electric shock, or other hazards.

SAFETY CHECK: Upon completion of any service or repairs to this product, ask the service technician to perform safety checks to determine that the product is in proper operating condition.

WALL OR CEILING MOUNTING: The product should not be mounted to a wall or ceiling.

HEAT: The product should be situated away from heat sources such as radiators, heat registers, stoves, or other products (including amplifiers) that produce heat.



Fig. A

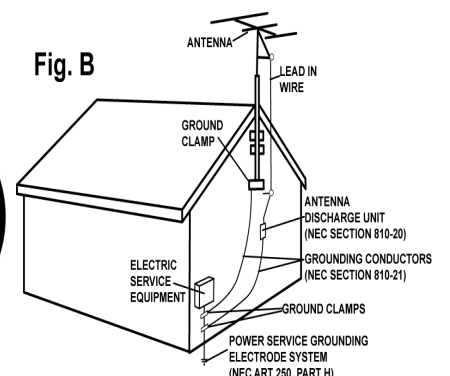
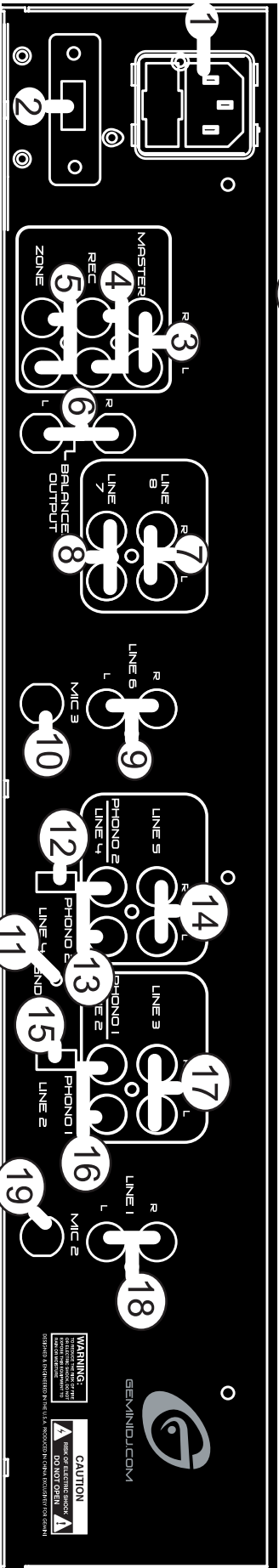
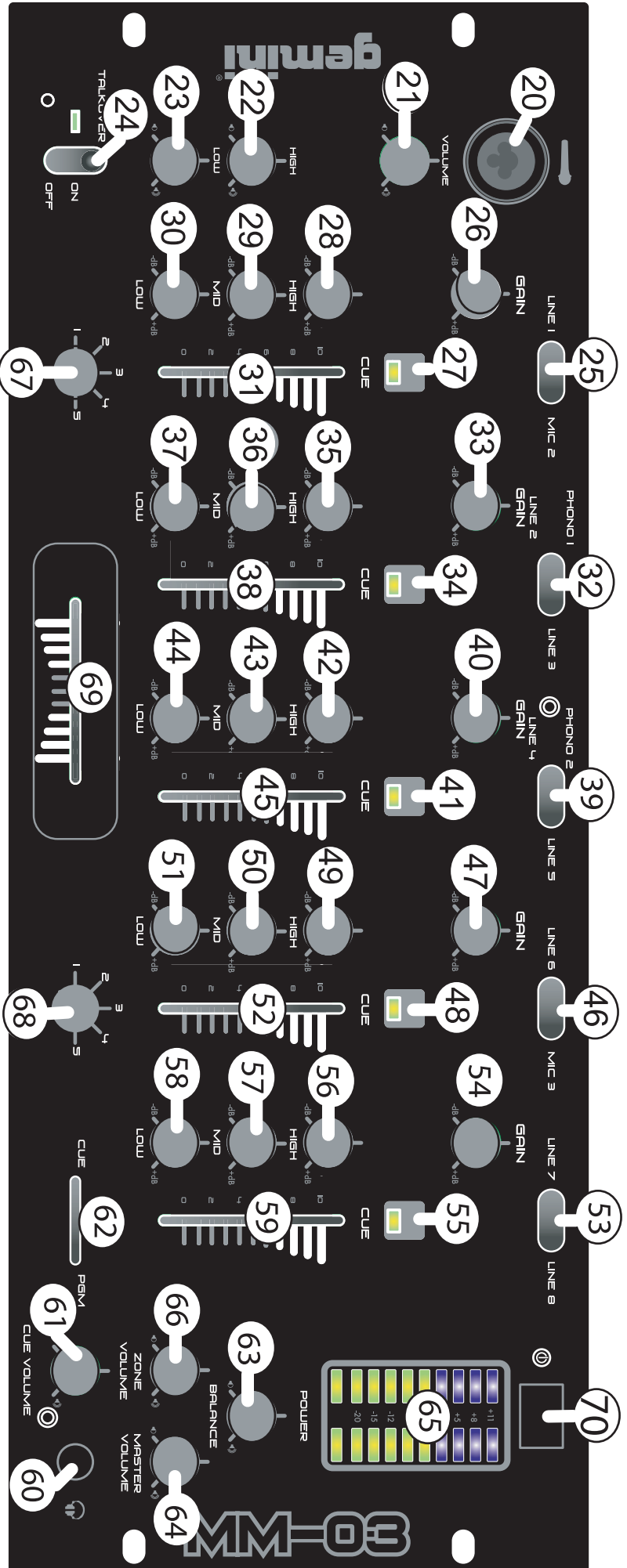


Fig. B

NEC — NATIONAL ELECTRICAL CODE

MM-03 FRANCE



REAR

INTRODUCTION:

Congratulations on purchasing a **Gemini MM-03 4U 19"**, **5 channel, rack mounted club mixer**. This state of the art mixer is backed by a three year warranty, excluding crossfader and channel slides. The crossfader and channel slides are backed by a separate 90 day warranty. Prior to use we suggest that you carefully read all the instructions.

FEATURES:

- 4U 19" rack mounted club mixer
- 5 stereo Channels
- 8 line, 3 Mic, 2 convertible phono/line, RCA inputs
- 3 band rotary line EQ control per channel with cut feature
- Fully removable, user replaceable Rail Glide crossfader
- Assignable cross fader
- Rotary gain control per channel
- Dual display with bright LED
- Push-button cueing with cue/PGM fader control
- Rotary master, zone, balance & cue volume controls
- Master, zone & record RCA outputs
- Balanced master output
- XLR-1/4" combo Mic input
- 2 band rotary Mic EQ control with cut feature
- Rotary Mic volume control
- Auto Talk-Over feature
- Face plate located 1/4" headphone input

CAUTIONS:

1. All operating instructions should be read before using this equipment.
2. To reduce the risk of electrical shock, do not open the unit. Please refer servicing to a qualified service technician.

In the USA ~ if you experience problems with this unit call Gemini Customer Service at: 1 (732) 738-9003. Do not attempt to return this equipment to your dealer.

3. Do not expose this unit to direct sunlight or to a heat source such as a radiator or stove.
4. This unit should be cleaned only with a damp cloth. Avoid solvents or other cleaning detergents.
5. When moving this equipment, it should be placed in its original carton and packaging. This will reduce the risk of damage during transit.
6. **DO NOT EXPOSE THIS UNIT TO RAIN OR MOISTURE.**
7. **DO NOT USE ANY SPRAY CLEANER OR LUBRICANT ON ANY CONTROLS OR SWITCHES.**

CONNECTIONS:

1. Before plugging the power cord in, make sure that the **VOLTAGE SELECTOR** (2) switch is set to the correct voltage (115 or 230).
2. Located on the rear panel is the **115/230V PLUG** (1) used to plug in the power cord. Before plugging the power cord in to the **115/230V PLUG** (1) and then into an electrical output, make sure the **POWER SWITCH** (70) located on the face panel is turned **OFF**.
3. The **MM-03** has 4 sets of outputs:
 - The **BALANCED MASTER** (6) output jacks connect the mixer to main amplifier using standard cables with **1/4" CONNECTORS**. We recommend using balanced cables if the distance to your amp is 10 feet or more.
 - The **MASTER** (3) output jacks also connect to the main amplifier with RCA cables.
 - The **ZONE** (5) output jacks allow the connection of an additional amplifier with RCA cables.

- The **REC** (4) output jacks can be used to connect the mixer to the record input of your recording unit, thus enabling you to record your mix with RCA cables.

4. Located on the rear panel are **2 Phono(PH)/Line(LN) convertible RCA inputs** (13, 16), and **6 line RCA inputs** (7, 8, 9, 14, 17, 18). The **convertible RCA inputs** for **CH 2** (38) & **CH 3** (45) allow **PH** and **LN** level equipment to be connected to the mixer. To adjust the **CONVERTER(S)** (12, 15), just flip the switch **UP** to operate **PH 1** or **PH 2**. Flip the switch **DOWN** to operate through **LN 2** or **LN 4**. The **PH INPUTS** only accept turntables with a magnetic cartridge. When using (a) turntable(s), you will need to ground the RCA cable(s) by screwing in the grounding fork(s) to the **GROUNDING SCREW** (11) located in the back panel of the **MM-03** mixer. This is located in between the **CONVERTER SWITCHES** (12, 15). The stereo **LN INPUTS** only accept line level inputs such as a **CD, DAT, MiniDisc, etc.**

NOTE: NOT ATTACHING A GROUND MAY CAUSE A SYSTEM "HUM."

5. Headphones may be plugged into the face-plate located **1/4" HEADPHONE JACK** (60).
6. The **MIC 1** (20) input (located on the front panel) is a combination of an **XLR** and **1/4" connector**. The **MIC 2** (19) and **Mic 3** (10) inputs (in the rear panel) accept only **1/4" connectors**. The mic inputs accept balanced and unbalanced microphones.

OPERATIONS:

1. Once all of your connections have been in the rear panel, turn on the mixer by pressing the **POWER SWITCH** (70).
2. **CHANNEL 1:** To bring this channel in to program output (**PGM**), you must first decide which line will be in use. Use the **LN SWITCH** (25) to toggle from **LN 1** (18) to **MIC 2** (19) on this channel. Slowly raise the **CH 1 SLIDE CONTROL** (31) to a comfortable level, once you've selected the proper line. You can further modify the sound output of this channel by adjusting the rotary **GAIN** (26), **HIGH** (28), **MID** (29), **LOW** (30) controls located to the left of the **CH 1 SLIDE CONTROL** (31).
3. **Channel 2:** To bring this channel in to **PGM**, you must first decide which line will be in use. Use the **LN SWITCH** (32) to toggle from **PH1/LN 2** (16) to **LN 3** (17) on this channel. Slowly raise the **CH 2 SLIDE CONTROL** (38) to a comfortable level, once you've selected the proper line. You can further modify the sound output of this channel by adjusting the rotary **GAIN** (33), **HIGH** (35), **MID** (36), **LOW** (37) controls located to the left of the **CH 2 SLIDE CONTROL** (38).
4. **CHANNEL 3:** To bring this channel in to **PGM**, you must first decide which line will be in use. Use the **LN SWITCH** (39) to toggle from **PN2/LN4** (13) to **LN 5** (14) on this channel. Slowly raise the **CH 3 SLIDE CONTROL** (45) to a comfortable level, once you've selected the proper line. You can further modify the sound output of this channel by adjusting the rotary **GAIN** (40), **HIGH** (42), **MID** (43), **LOW** (44) controls located to the left of the **CH 3 SLIDE CONTROL** (45).
5. **CHANNEL 4:** To bring this channel in to **PGM**, you must first decide which line will be in use. Use the **LN SWITCH** (46) to toggle from **LN 6** (9) to **MIC 3** (10) on this channel. Slowly raise the **CH 4 SLIDE CONTROL** (52) to a comfortable level, once you've selected the proper line. You can further modify the sound output of this channel by adjusting the rotary **GAIN** (47), **HIGH** (49), **MID** (50), **LOW** (51) controls located to the left of the **CH 4 SLIDE CONTROL** (52).
6. **CHANNEL 5:** To bring this channel in to **PGM**, you must first decide which line will be in use. Use the **LN SWITCH** (53) to toggle from **LN 7** (8) to **LN 8** (7) on this channel. Slowly raise the **CH 5 SLIDE CONTROL** (59) to a comfortable level, once you've selected the proper line. You

can further modify the sound output of this channel by adjusting the rotary **GAIN** (54), **HIGH** (56), **MID** (57), **LOW** (58) controls located to the left of the **CH 5 SLIDE CONTROL** (59).

NOTE: FOR OPTIMAL PERFORMANCE, BEGIN PROGRAM MIX WITH ROTARY GAIN (26, 33, 40, 47, 54) CONTROLS SET TO ZERO (ROTATE IT COUNTERCLOCKWISE TO THE LEFT POSITION). MAKE ALL ADJUSTMENTS IN SOUND OUTPUT WITH THE USE OF YOUR CHANNEL SLIDE CONTROLS (31, 45, 59, 38, 52), ZONE (66), BALANCED MASTER (63), AND MASTER (64) VOLUME ROTARY CONTROLS. THIS WILL PREVENT SIGNAL OVERLOAD AND DECREASE DISTORTION. ONCE YOU HAVE MODIFIED YOUR SOUND AND WOULD LIKE TO INCREASE THE OUTPUT OF YOUR SOUND, THEN YOU MAY ADJUST THE ROTARY GAIN CONTROL IF NEEDED.

7. CUE: By connecting a set of headphones to the **HEADPHONE** (60) jack, you can monitor any or all channels. Press **CUE** buttons (27, 34, 41, 48, 55) for **CH 1** through **CH 5** to assign the Channel(s) to be monitored. The respective **CUE LED** indicators will glow when in use. Use the rotary **CUE VOLUME CONTROL** (61) to adjust the cue volume without changing the overall mix. By moving the **CUE/PGM FADER CONTROL** (62) to the **LEFT** you will be able to monitor the assigned cue signal. Moving the control to the **RIGHT** allows you to monitor **PGM** output. Moving the control to the **MIDDLE** allows cue mix with **PGM**.

8. ASSIGN: There are **2 ROTARY CONTROLLED ASSIGN SWITCHES** (67, 68), each having 5 settings 1, 2, 3, 4 and 5. The **LEFT ASSIGN** (67) control allows you to direct CH 1, 2, 3, 4 or 5 through the **LEFT** side of the **CROSSFADER** (69). The **RIGHT ASSIGN** (68) control allows you to direct CH 1, 2, 3, 4 or 5 through the **RIGHT** side of the **CROSSFADER** (69).

9. CROSSFADER SECTION: The **CROSSFADER** (69) allows you to mix from one source to another. The **MM-03** features an **ASSIGNABLE CROSSFADER** (69). The rotary controlled **ASSIGN SWITCHES** (67, 68) allow you to select which channel will play through each side of the **CROSSFADER** (69). The **CROSSFADER** (69) in your unit is removable and if the need arises can be easily replaced. Your **Gemini** mixer comes with an **RG-45 (RAILGLIDE™) Dual-Rail Crossfader**. **Rail Glide™ crossfaders** have internal dual stainless steel rails that allow the slider to ride smoothly and accurately from end to end. Also available is our **RG-45 PRO (PROGLIDE™) Dual-Rail Crossfader**. This unique crossfader features a special curve designed for scratch mixing. Just purchase one from your **Gemini** dealer and follow the instructions:

Replaceable Crossfader

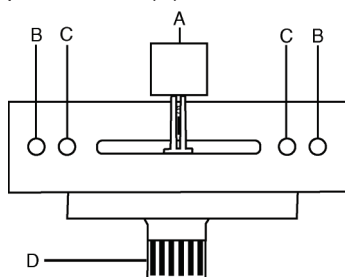
1. Unscrew the outside FADER plate screws (B).

- Do not touch **INSIDE SCREWS** (C).

2. Carefully remove old Crossfader and unplug **CABLE** (D).

3. Plug new Crossfader into **CABLE** (D) and place back into mixer.

4. Screw Crossfader to mixer with the **FADER PLATE SCREWS** (B).



10. OUTPUT SELECTION CONTROL: Once you are comfortable with the sound level of your music you may adjust the volume with the **MASTER** (64) rotary control. You may adjust the volume of the zone output with the **ZONE** (66) rotary control. You may also adjust the balance from left to right with the **BALANCED MASTER** (63) rotary control.

11. MIC SECTION: Plug your main mic into the **MIC 1** combination **XLR-1/4"** input (20) located on the face panel. The rotary controls for **HIGH** (22) and **LOW** (23) for **MIC 1** (20) allow you to adjust the tone of **MIC 1** (20). The **MIC 1** rotary volume control (21), above the **HIGH(22)/LOW(23)** controls, adjust the decibel level of **MIC 1** (20). You may also plug a second and third mic into the rear panel's **MIC 2** (19) and **MIC 3** (10) 1/4" jacks. The tone and decibel level of **MIC 2** (19) and **MIC 3** (10) are controlled by the **CH 1** (31) and **CH 4** (52) slide controls, the **3 BAND ROTARY EQ (HIGH (28, 49), MID (29, 50), LOW (30, 51))** controls and **GAIN** (26, 47) rotary controls, respectively.

12. TALKOVER: The purpose of the **AUTO TALKOVER MODE** is to allow the program playing to be muted so that the mic may be heard above the music. The **MIC/TALKOVER SWITCH** (24) controls **MIC 1** (20) with **3** settings:

- When the **MIC/TALKOVER SWITCH** (24) is in the **BOTTOM** position, **MIC 1** (20) and **TALKOVER MODE** are all **OFF**.

- When the **MIC/TALKOVER SWITCH** (24) is in the **CENTER** position, **MIC 1** (20) is **ON** and **TALKOVER MODE** is **OFF**. The **MIC ON LED INDICATOR** glows when **MIC 1** (20) is **ON**.

- When the **MIC/TALKOVER SWITCH** (24) is in the **TOP** position, **MIC 1** (20) is **ON** and **TALKOVER MODE** is **ON**, and the volume of all sources except **MIC 1(20)** inputs is lowered by -16 dB.

13. VU METER: The **VU METER** (65) indicates the program output level of the **MASTER** (3) left and right stereo levels.

SPECIFICATIONS:

INPUTS:

Phono.....	3 mV, 47 KOhm
Line.....	150 mV, 27 KOhm
MIC 1, MIC 2, & MIC 3.....	1.5 mV, 1 K Ohm Balanced
MIC 1 Bass.....	± 12dB
MIC 1 High.....	± 12dB

OUTPUTS:

Amp/Zone.....	0 dB 1V, 400 Ohm
Max.....	20V Peak-to-Peak
Rec.....	225 mV, 5 KOhm

GENERAL:

Frequency Response.....	20Hz - 20KHz +/- 2 dB
Distortion.....	< 0.02%
S/N Ratio.....	Better Than 80 dB
Talkover Attenuation.....	-16 dB
Headphone Impedance.....	16 Ohm
Power Source.....	115/230V, 50/60Hz, 20W
Unit Dimensions.....	W 19" x H 4" x D 7.42"
.....	(482.6 x 101.6 x 188.6 mm)
Weight.....	8.84 lbs (4.01kg)

SPECIFICATIONS SUBJECT TO CHANGE WITHOUT NOTIFICATION FOR IMPROVEMENT.

EINLEITUNG:

Wir gratulieren Ihnen zum Kauf eines **Gemini MM-03 19"- 4HE- Clubmixer für Rackeinbau**. Auf dieses moderne Mischpult gewähren wir eine dreijährige Garantie, ausschließlich Crossfader. Vor Anwendung dieses Mischpults bitte alle Anweisungen sorgfältig durchlesen.

FUNKTIONEN:

- 19"- 4HE- clubmixer für rackeinbau
- 5 stereo kanäle
- 8 line, 3 Mikro, 2 umschaltbare phono/line, cincheingänge
- 3 band EQ mit drehreglern und cut funktion pro kanal
- Einfach auszutauschender RailGlide-crossfader
- Zuweisbarer crossfader
- Gaindrehregler pro kanal
- Zweifach modeanzeige mit heller LED
- Cuesektion mit drucktastern und cue/PGM fader
- Drehregler für master, zone, balance und cue
- Master, zone und record cinchausgänge
- Symmetrischer masterausgang
- Mikrofoneingang mit kombibuchse XLR/Klinke
- 2 band Mic Eq mit drehreglern
- Drehregler für mikrofonlautstärke und cut funktion
- Talk-Over funktion
- 6,3mm Kopfhörerklinkenbuchse auf der frontplatte

VORSICHTSMAßNAHMEN:

1. Vor Anwendung dieses Geräts bitte alle Anweisungen sorgfältig durchlesen.
2. Das Gerät nicht öffnen, um das Risiko eines elektrischen Schocks zu vermeiden. Die Wartung darf nur von befähigten Wartungstechnikern durchgeführt werden.
3. Das Gerät nicht direktem Sonnenlicht oder einer Wärmequelle wie Heizkörper oder Ofen aussetzen.
4. Dieses Gerät darf nur mit einem feuchten Tuch gesäubert werden. Keine Lösungs- oder Reinigungsmittel benutzen.
5. Bei Umzügen sollte das Gerät in seinem ursprünglichen Versandkarton und Verpackungsmaterial verpackt werden. Dadurch verhindert man, daß das Gerät während des transportes beschädigt wird.
6. **DIESES GERÄT NICHT REGEN ODER FEUCHTIGKEIT AUSSETZEN.**
7. **AN DEN REGLERN ODER SCHALTERN KEIN SPRAY-REINIGUNGSMITTEL ODER SCHMIERMITTEL BENUTZEN.**

ANSCHLÜSSE:

1. Bevor Sie das Stromkabel anschließen, darauf achten, daß der **VOLTAGE SELECTOR** (2) (Spannungswähler) auf die richtige Spannung eingestellt ist und der **ON/OFF**-Schalter aus ist.
2. Vor dem Einstecken des **115V/230 PLUG** (1) in die Buchse: **POWER** (70) auf Rückseite, überprüfen Sie, ob der **115V/230V PLUG** (1) Schalter ausgeschaltet ist.
3. Der **MM-03** verfügt über 4 Ausgangsbuchsenpaare:
 - Die Buchsen **BALANCED MASTER OUTPUT** (6) sind symmetrische Klinkenbuchsen und dienen zum Anschluß an den Hauptverstärker (lange Kabel).
 - Die Buchsen **MASTER OUTPUT** (3) sind unsymmetrisch und dienen zum Anschluß an den Hauptverstärker (kurze Kabel).
 - Die Buchsen **ZONE OUTPUT** (5) ermöglichen den Anschluß an einen zusätzlichen Verstärker.
 - Die Buchsen **REC OUTPUT** (4) können dazu dienen, das Mischpult an den Aufnahmeingang des Aufnahmeegerätes

anzuschließen um die Tonmischung aufnehmen zu können.

4. An der Rückseite sind jeweils 2 Stereoeingänge **PHONO/LINE** (13, 16) und 6 Stereoeingänge **LINE** (18, 17, 14, 9, 8, 7)) angebracht. Die Schalter **PHONO/LINE** (12, 15) ermöglichen Ihnen, die **Eingänge** (38, 45) zwischen **PHONO** und **LINE** umzuschalten. An die **Phono-Eingänge** können nur Plattenspieler mit einem magnetischem Tonabnehmer angeschlossen werden. Zwei Erdungsschrauben **GROUND SCREW** (11) zur Erdung des Plattenspielers sind an der Rückseite angebracht. An die **Stereo-Lineeingänge** können Geräte wie **CD-** oder **Kassettspieler** angeschlossen werden.

Anmerkung: Wenn die Erdung nicht angeschlossen wird kann ein Brummsignal auftreten.

5. **Kopfhörer** können an der an der Vorderwand montierten **Kopfhörer-Buchse HEADPHONE** (60) eingesteckt werden.
6. Der Eingang **MIC 1** (20) (an der Vorderseite) ist als **Klinke/XLR-Kombibuchse** ausgeführt. Die Eingänge **MIC 2** (19) und **Mic 3** (10) (Rückseite) haben je eine 6,3mm Klinkenbuchse. Alle sind für symmetrische und unsymmetrische Mikrophone geeignet.

BEDIENUNG:

1. **STROM EIN:** Nachdem Sie die Tonquellen und Ihren Verstärker am Mischpult angeschlossen haben, drücken Sie auf die Taste **POWER** (70). Der Strom wird eingeschaltet und die **VU METER** (65) leuchten.
2. **KANAL 1: Schalter** (25) ermöglicht, den Eingang von **LN 1** (18) oder **MIC 2** (19) auszuwählen. Der **Kanalfader CHANNEL SLIDE** (31) regelt das Ausgangssignal dieses Kanals.
3. **KANAL 2: Schalter** (32) ermöglicht, den Eingang von **PH1/LN2**(16) oder **LN3** (17) auszuwählen. Der **Kanalfader CHANNEL SLIDE** (38) regelt das Ausgangssignal dieses Kanals.
4. **KANAL 3: Schalter** (39) ermöglicht, den Eingang von **PH2/LN4** (13) oder **LN5** (14) auszuwählen. Der **Kanalfader CHANNEL SLIDE** (45) regelt das Ausgangssignal dieses Kanals.
5. **KANAL 4:** Schalter (46) ermöglicht, den Eingang von **LN 6** (9) oder **Mic 3** (10) auszuwählen. Der **Kanalfader CHANNEL SLIDE** (52) regelt den Ausgangstonsignal dieses Kanals.
6. **KANAL 5:** Schalter (53) ermöglicht, den Eingang von **LN 7** (8) auf **LN8** (7) umzuschalten. Der **Kanalfader Channel Slide** (59) regelt das Ausgangssignal dieses Kanals.
Der Eingangspegel der einzelnen Kanäle wird mit den Gaindrehreglern eingestellt. Die Klangregelung erfolgt mit den Drehreglern High, Mid, Low des jeweiligen Kanals.
7. **AUSGANGSREGELUNG:** Der Verstärkerausgangspegel **MASTER OUTPUT** (3) wird vom Drehregler **MASTER** (64) geregelt. Die **BALANCE** (63)(L/R) wird mit dem Drehregler **BALANCE** eingestellt. Der Zoneausgang wird mit dem Drehregler **ZONE** (66) geregelt
8. **CUE:** Indem Sie die Kopfhörer an der Buchse **KOPFHÖRER** (60) anschließen, können Sie einen oder alle Kanäle kontrollieren. Drücken Sie die Tasten **CUE ASSIGN** (27, 34 , 41, 48, 55) für **Kanäle 1-5**, um den/die zu kontrollierende/n **Kanal/Kanäle** auszuwählen, und deren jeweilige **LED**-Anzeigen werden aufleuchten. Betätigen Sie den **CUE** Volumedrehregler (61), um die Mithörlautstärke einzustellen, ohne dabei die allgemeine

Mischung zu beeinträchtigen. Indem Sie den Regler **CUE PGM PAN** (62) nach **LINKS** schieben, können Sie das zugewiesene Mithörsignal kontrollieren. Nach **RECHTS** schieben wird die **PGM**-Programm Ausgabe kontrolliert.

9. Der **ASSIGN** (67)-Schalter hat **5** Einstellungen (1, 2, 3, 4 oder 5) und ermöglicht Ihnen, **Kanäle 1, 2, 3, 4** oder **5** durch die linke Seite des Überblenders zu spielen. Der **ASSIGN** (68)-Schalter hat **5** Einstellungen (1, 2, 3, 4 oder 5) und ermöglicht Ihnen, **Kanäle 1, 2, 3, 4** oder **5** durch die rechte Seite des Überblenders zu spielen.

10. **ÜBERBLENDER-BEREICH:** Der Überblender **CROSSFADER** (69) ermöglicht das Mischen von Tonquellen. Der **MM-03** bietet einen zuweisbaren Crossfader. Die **ASSIGN** (67, 68)-Schalter ermöglichen Ihnen den **Kanal** auszuwählen, der durch jeweilige Seite des Überblenders geregelt wird. Der **CROSSFADER** (69) Ihres Geräts kann entfernt werden und lässt sich bei Bedarf leicht ersetzen. Überblender sind in zwei Ausführungen verfügbar. Der **RG-45 (RAIL GLIDE) Dual-Rail Crossfader**. Die **Rail Glide™** Überblender enthalten innere Schienen aus rostfreiem Stahl, die dem Benutzer ermöglichen, den Überblender sanft und genau von der einen zur anderen Seite zu schieben. Auch ist unser **RG-45 PRO (PROGLIDE™) Dual-Rail Crossfader** vorhanden. Dieses einzigartige Überblender hat folgende Eigenschaften: ultraleichtes Gleiten durch Edelstahlschienen und sehr lange Lebensdauer, durch neueste Leitplastiktechnologie. Sie können einen dieser Überblender bei Ihrem **Gemini**-Händler beziehen und diese Anweisungen befolgen:

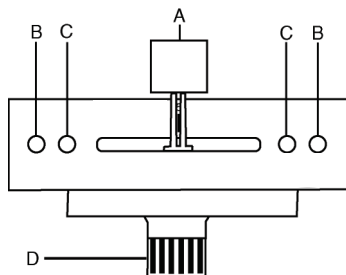
EINFACH AUSZUTAUSSCHENDER RAIL-GLIDE-CROSSFADER

- Die äußeren **SCHRAUBEN DER CROSSFADER-PLATTE (B)** losschrauben. Nicht die **INNEN-SCHRAUBEN (C)** losschrauben.

- Den Überblender vorsichtig anheben und das **KABEL (D)** abziehen.

- Das Kabel auf den neuen Fader stecken und wieder in das Mischpult setzen.

- Den neuen Crossfader mit den Schrauben am Mischpult befestigen.



11. **MIKROFONSEKTION:** Schließen Sie Ihr Hauptmikrofon an die **MIC 1 XLR-Buchse** (20) auf der Frontplatte an. Die Regler **HIGH** (22) und **LOW** (23) ermöglichen Ihnen, den

Klang von **MIC 1** (20) zu regulieren. **MIC 1 LEVEL** (21) reguliert den Pegel von **MIC 1** (20). Zusätzlich können sie zwei weitere Mikrofone an die **MIC 2** (19) und **Mic 3** (10) Klinkenbuchsen (19 und 10) (Rückseite) anschließen. Die Pegel und den Klang regeln Sie mit dem **Kanal 1 (Mic 2)** und dem **Kanal 4 (Mic 3)**.

12. **TALKOVER:** Durch die **TALKOVER-FUNKTION** wird das abgespielte Programm gedämpft, um eine Ansage über das Mikrofon hören zu können. Der Schalter **MIC/TALKOVER** (24) kontrolliert **MIC 1** (20) mit drei Einstellungen:

- Wenn der Schalter **MIC/TALKOVER** (24) in der **UNTEREN** position steht, sind **MIC 1** und **TALKOVER AUSGESCHALTET**.

- Steht der Schalter **MIC/TALKOVER** (24) in der **MITTLEREN** position, ist **MIC 1** (20), **EINGESCHALTET**. Der **MIC-Anzeiger** (24) ist erleuchtet, jedoch ist **TALKOVER AUSGESCHALTET**.

- Wenn der Schalter **MIC/TALKOVER** (24) in der **OBEREN** position steht, sind **MIC 1** (20), und **TALKOVER EINGESCHALTET** und Lautstärken aller Tonquellen, außer der **MIC-Eingänge**, werden um **-16 dB** reduziert.

13. **VU Meter:** Das **VU Meter** (65) zeigt den linken und rechten Ausgangspegel des **MASTER OUTPUT** (3) an.

SPEZIFIKATIONEN:

EINGÄNGE:

Phono:.....3 mV, 47 KOhm
 Line:.....150 mV, 27 KOhm
 MIC 1, 2, 3:.....1.5 mV, 1 K Ohm symmetrisch
 Bass:.....± 12dB
 High:.....± 12dB

OUTPUTS:

Verstärker/Zone:.....0 dB 1V, 400 Ohm
 Max:.....20V Spitze-Spitze
 Rec:.....225 mV, 5 KOhm

TECHNISCHE DATEN:

Frequenzbereich:.....20Hz - 20KHz +/- 2 dB
 Klirrfaktor:.....kleiner als 0.02%
 Geräuschspannungsabstand:.....Besser als 80 dB
 Talkover Dämpfung:.....-16 dB
 Kopfhörer Impedanz:.....16 Ohm
 Spannungsversorgung:.....115/230V, 50/60Hz, 20W
 Abmessungen:.....482.6 x 101.6 x 188.6 mm
 Gewicht:.....4.01 kg

DIE SPEZIFIKATIONEN KÖNNEN ZU VERBESSERUNGSZWECKEN OHNE VORHERIGE BEKANNTGABE GEÄNDERT WERDEN.



INTRODUCCIÓN:

Felicitaciones por la compra del **Mezclador Club MM-03 de 4U para montar en rack 19" de Gemini**. Este mezclador de la más avanzada tecnología está respaldado por una garantía de tres años, salvo el crossfader y los faders. Antes de usarlo, le recomendamos leer cuidadosamente todas las instrucciones.

CARACTERÍSTICAS:

- Mezclador cClub de 4U para montar en rack 19"
- 5 canales estéreo
- Entradas RCA para 8 línea, 3 Micro, 2 convertible phono/línea
- EQ rotativo de 3 bandas por canal con sistema cut
- Crossfader Rail Guide removible, para ser reemplazado por el usuario
- Cross Fader asignable
- Ganancia rotativa por canal
- Doble display de modo con LED
- Interruptor para cue/PGM
- Control de volumen rotativo para master, zone, balance y cue
- Salida RCA para master, zona y grabación
- Salida balanceada de master
- Entrada XLR-1/4" combo para Micro
- EQ de 2 bandas para Micro con sistema cut
- Talk-Over
- Entrada para auriculares 1/4" en la parte superior

PRECAUCIONES:

1. Deberán leerse todas las instrucciones de operación antes de usar el equipo.
2. Para reducir el riesgo de shock eléctrico, no abra esta unidad. Por favor, refiera el servicio a un técnico de servicio calificado.

En los EE.UU., si Ud tiene problemas con el aparato, por favor llame al Servicio Post-Venta al 1-732-738-9003. No devuelva el aparato a la tienda donde lo compró.

3. No exponga la unidad a la luz solar directa ni a una fuente de calor, por ejemplo, un radiador o estufa.
4. Esta unidad sólo deberá limpiarse con un paño húmedo. Evite el uso de disolventes u otros detergentes de limpieza.
5. Para mover este equipo, colóquelo en la caja y embalaje original, a fin de reducir el riesgo de daños durante el transporte.
6. **NO DEJE ESTA UNIDAD EXPUESTA A LLUVIA O HUMEDAD.**
7. **NO USE LIMPIADORES DE ROCÍO O LUBRICANTES EN LOS CONTROLES O INTERRUPTORES.**

CONEXIONES:

1. Antes de conectar el cable de potencia, cerciórese de que el **SELECTOR DE VOLTAJE (2)** esté posicionado en la tensión correcta.
2. Ubicado en la parte trasera está la toma de **CORRIENTE (1)**. Antes de conectar el cable de **CORRIENTE (1)**, asegurarse que el **BOTON DE ENCENDIDO (70)** en el panel frontal está apagado.
3. El **MM-03** tiene **4** salidas:
 - **SALIDA MASTER BALANCEADA (6)** conectan el mezclador al amplificador principal usando cables standar con conectores Jack 1/4". Se recomienda usar cables balanceados si la distancia al amplificador es mayor de 3 metros.
 - **SALIDA MASTER (3)** también conecta el mezclador con el amplificador principal, pero con conectores **RCA**.
 - **SALIDA ZONA (5)** permite la conexión a un amplificador adicional con conexión **RCA**.
 - **SALIDA DE GRABACIÓN (4)** puede ser utilizada para conectar con cables **RCA** el mezclador a una entrada de un dispositivo de grabación, así como permitir grabar tu propia sesión.
4. En el panel trasero hay **2** entradas **RCA** estereofónicas convertibles **PHONO/LÍNEA - PHONO/LINE (13,16)**, y **6** entradas **RCA** estereofónicas de **LÍNEA - LINE (7,8,9,14,17,18)**.

Las entradas convertibles **RCA** de los canales **(CN) 2 (38)** y **3 (45)** permiten conectar el nivel **Phono (PH)** y **Línea (LN)** al mezclador. Para ajustar los **CONVERTIDORES (12,15)**, sólo seleccionar **PH1** o **PH2** hacia arriba en el interruptor. Seleccionar hacia abajo para **LN2** o **LN4**. Las entradas **PH** sólo aceptan giradiscos con cápsula magnética. Cuando se use giradiscos, es necesario enroscar la masa de los cables **RCA** en los **TERMINALES de MASA (11)** traseros. Están ubicados entre los interruptores de **CONVERSIÓN (12,15)**. Las **ENTRADAS LN ESTÉREO** sólo aceptan niveles de señal de entrada de tipo **CD, DAT, MiniDisc, etc**.

NOTA: AL NO CONECTAR UNA MASA PUEDE CAUSAR RUIDOS.

5. Los auriculares se enchufan en el jack de **HEAD-PHONES (60)** (**auriculares**) montado en el panel delantero.
6. La entrada **MIC 1 (20)** (que se encuentra en el panel delantero) acepta conector de **XLR**. La entrada **MIC 2 (19)** y **MIC 3 (10)** (que se encuentra en el panel trasero) acepta conector Jack de 1/4". Todas aceptans micrófonos balanceados y no balanceados.

FUNCIONES:

1. **ENCENDIDO:** Una vez que se hayan efectuado todas las conexiones de los equipos a su mezclador, encienda el mezclador pulsando el interruptor de encendido **POWER SWITCH (70)**.
2. **CANAL 1:** Para pasar este canal a program (**PGM**), primero debe decidir qué línea estará en uso. Utilizar el interruptor **LN (25)** para seleccionar la palanca de **LN1 (18)** a **MIC2 (19)** en este canal. Una vez se haya seleccionado la entrada apropiada, deslizar suavemente el fader del **CN 1 (31)** hasta un nivel adecuado, una vez se haya seleccionado la entrada apropiada. A más a más se puede modificar el nivel de salida de este canal ajustando el control rotativo de **GAIN - GANANCIA (26)**, **HIGH-AGUDOS (28)**, **MID-MEDIOS (29)**, **LOW-GRAVES (30)** ubicado encima del control de Fader del **CN 1 (31)**.
3. **CANAL 2:** Para pasar este canal a program (**PGM**), primero debe decidir qué línea estará en uso. Utilizar el interruptor **LN (32)** para seleccionar la palanca de **PH1/LN2 (16)** a **LN3 (17)** en este canal. Una vez se haya seleccionado la entrada apropiada, deslizar suavemente el fader del **CN 2 (38)** hasta un nivel adecuado, una vez se haya seleccionado la entrada apropiada. A más a más se puede modificar el nivel de salida de este canal ajustando el control rotativo de **GAIN - GANANCIA (33)**, **HIGH-AGUDOS (35)**, **MID-MEDIOS (36)**, **LOW-GRAVES (37)** ubicado encima del control de Fader del **CN 2 (38)**.
4. **CANAL 3:** Para pasar este canal a program (**PGM**), primero debe decidir qué línea estará en uso. Utilizar el interruptor **LN (39)** para seleccionar la palanca de **PH2/LN4 (13)** a **LN5 (14)** en este canal. Una vez se haya seleccionado la entrada apropiada, deslizar suavemente el fader del **CN 3 (45)** hasta un nivel adecuado, una vez se haya seleccionado la entrada apropiada. A más a más se puede modificar el nivel de salida de este canal ajustando el control rotativo de **GAIN - GANANCIA (40)**, **HIGH-AGUDOS (42)**, **MID-MEDIOS (43)**, **LOW-GRAVES (44)** ubicado encima del control de Fader del **CN 3 (45)**.
5. **CANAL 4:** Para pasar este canal a program (**PGM**), primero debe decidir qué línea estará en uso. Utilizar el interruptor **LN (46)** para seleccionar la palanca de **LN6 (9)** a **MIC 3 (10)** en este canal. Una vez se haya seleccionado la entrada apropiada, deslizar suavemente el fader del **CN 4 (52)** hasta un nivel adecuado, una vez se haya seleccionado la entrada apropiada. A más a más se puede modificar el nivel de salida de este canal ajustando el control rotativo de **GAIN - GANANCIA (47)**, **HIGH-AGUDOS (49)**, **MID-MEDIOS (50)**, **LOW-GRAVES (51)** ubicado encima del control de Fader del **CN 4 (52)**.

6. **CANAL 5:** Para pasar este canal a program (PGM), primero debe decidir qué línea estará en uso. Utilizar el interruptor LN (53) para seleccionar la palanca de LN7 (8) a LN8 (7) en este canal. Una vez se haya seleccionado la entrada apropiada, deslizar suavemente el fader del CN 5 (59) hasta un nivel adecuado, una vez se haya seleccionado la entrada apropiada. A más a más se puede modificar el nivel de salida de este canal ajustando el control rotativo de GAIN - GANANCIA (54), HIGH-AGUDOS (56), MID-MEDIOS (57), LOW-GRAVES (58) ubicado encima del control de Fader del CN 5 (59).
7. **CUE:** Conectando los auriculares a la toma jack de HEADPHONE (60), podrá monitorizar cualquier canal o todos los canales. Pulsar los botones CUE (27,34,41,48,55) para los canales 1-5 para seleccionar el canal o los canales a monitorizar. Sus indicadores LED respectivos se iluminarán cuando sean pulsados tales botones. Use el control rotatorio de CUE (61) para ajustar el volumen de cue sin afectar la mezcla global. Moviendo el control deslizante CUE/PGM (62) hacia la IZQUIERDA podrá monitorizar la señal cue asignada. Moviéndolo hacia la DERECHA podrá monitorizar la salida de programa. Dejándolo en medio le permite escuchar la mezcla.
8. **ASSIGN:** Hay 2 controles de ASIGNACIÓN (67,68), cada uno tiene 5 preselecciones 1,2,3,4 y 5. El control izquierdo (67) permite seleccionar el CN 1,2,3,4 o 5 a través de la parte IZQUIERDA (69) del CROSSFADER. El control de asignación de la parte DERECHA (68) permite seleccionar el CN 1,2,3,4 o 5 a través de la parte DERECHA (69) del crossfader.
9. **SECCIÓN CROSSFADER:** El CROSSFADER (69) le permite mezclar de un canal a otro. Este modelo de mezclador incorporan selectores de asignación de crossfader (67, 68). Los selectores de asignación (67,68) permiten seleccionar qué canal quedará seleccionado para su uso en el CROSSFADER (69). El CROSSFADER (69) es fácilmente reemplazable. Este mezclador GEMINI viene con un RG-45 PRO (RAILGLIDE™) Crossfader de Doble Rail . Rail Glide™ crossfaders tienen internamente dos railes de acero inoxidable que permiten al crossfader desplazarse preciso y suavemente de un extremo a otro. Otro crossfader disponible es el PSF-45 (PRO SCRATCH™) con una curva de crossfader especial diseñada para mezcla tipo scratch. Sólo comprar uno en cualquier distribuidor Gemini y siga las instrucciones:

10. **CONTROL DE LA SALIDA:** Una vez se haya regulado el nivel de sonido, se puede ajustar el volumen con el control fader de MASTER (64). En este mezclador se puede direccionar la señal de salida a otra area usando el control rotativo de ZONA (66). También se puede ajustar el balance de izquierda a derecha con el control rotatorio de BALANCE (63).
11. **SECCIÓN DE MIC:** Conectar el micrófono principal en el conector XLR MIC 1 (20) ubicado en la parte superior del panel frontal. Los controles rotativos de HIGH-AGUDOS (22) y LOW-GRAVES (23) para el MIC 1 (20) le permiten ajustar el tono del MIC 1. El control de volumen rotatorio del MIC 1 (20) situado encima de los controles de HIGH(22)/LOW(23) permite ajustar el nivel del MIC 1 (20). Incluso se puede incorporar un segundo micrófono MIC 2 en el panel posterior mediante un conector Jack 1/4" (19) y un tercer micro MIC 3 (10). El ajuste de tono y nivel del MIC 2 (19) y MIC 3 (10) se controla mediante el fader del CANAL 1 (31) y el CANAL 4 (52), y el EQ de 3 bandas (HIGH (28,49), MID (29,50), LOW (30,51)) y la GANANCIA (26,47), respectivamente.
12. **TALKOVER:** El propósito de la sección TALKOVER (24) es permitir atenuar el nivel de sonido de programa para que se pueda oír el mensaje del micrófono por encima de la música.
- El interruptor MIC/TALKOVER (24) controla a MIC 1 (20) mediante 3 parámetros:
 - Cuando el interruptor MIC/TALKOVER (24) ocupa la posición INFERIOR, el MIC 1 (20) y la función TALKOVER (24) están ambos apagados.
 - Cuando el interruptor MIC/TALKOVER (24) ocupa la posición CENTRAL, el MIC 1(20) está activado. El indicador LED de TALKOVER (24) se ilumina cuando el TALKOVER está activado.
 - Cuando el interruptor MIC/TALKOVER (24) ocupa la posición SUPERIOR, el MIC 1 (20) y la función TALKOVER (24) están activados y el volumen de todas las fuentes salvo las entradas Mic serán atenuadas -16 dB.
13. **VU METER:** El VU METER (65) indica los niveles izquierdo y derecho de la salida MASTER (3).

ESPECIFICACIONES TÉCNICAS:

ENTRADAS:

Phono.....	3 mV, 47 KOhm
Línea.....	150 mV, 27 KOhm
Micro 1, 2, & 3.....	1.5 mV, 1 K Ohm Balanceado
Micro 1 Bass.....	+/- 12 dB
Micro 1 High.....	+/- 12 dB

SALIDAS:

Amp/Zone.....	0 dB 1V, 400 Ohm
Max.....	20V Peak-to-Peak
Rec.....	225 mV, 5 KOhm

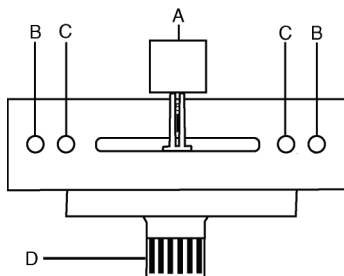
GENERAL:

Respuesta en frecuencia.....	20Hz - 20KHz +/- 2 dB
Distorsión.....	< 0.02%
Relación S/N.....	Mayor de 80 dB
Talkover Atenuación.....	-16 dB
Impedancia auriculares.....	16 Ohm
Alimentación.....	115V/60Hz 20W
.....	230V/50Hz 20W
Dimensiones.....	W 19" x H 4" x D 7.42"
.....	(482.6 x 101.6 x 188.6 mm)

LAS ESPECIFICACIONES Y EL DISEÑO PUEDEN CAMBIAR SIN PREAVISO POR RAZONES DE MEJORAS.

FÁCILMENTE REMOVIBLE PARA CAMBIAR EL CROSSFADER

1. Desatornillar los tornillos exteriores de la placa del fader (B). No tocar los TORNILLOS INTERNOS (C)
2. Con cuidado sacar el crossfader antiguo y desconectar el CABLE (D)
3. Conectar el nuevo Crossfader en el CABLE (D) y volver a colocar en el mezclador.
4. Atornillar el Crossfader al mixer con los TORNILLOS DE LA PLACA DEL CROSSFADER (B).



INTRODUCTION:

Nos félicitations à l'occasion de l'achat de votre console de mixage **MM-03 de Gemini (rackable 19" x 4U)**. Ce mélangeur très moderne est garanti durant trois ans, à l'exception du crossfader (- 3 mois -). Avant toute utilisation, veuillez lire attentivement toutes les instructions ci-après.

CARACTÉRISTIQUES:

- Console de mixage club rackable 19" x 4U
- 5 voies stéréo
- 8 lignes, 3 Micros, 2 phonos convertibles lignes, connecteurs RCA
- Corrections paramétriques 3 bandes en sortie avec coupure totale
- Crossfader Rail Glide interchangeable
- Crossfader assignable
- Gain réglable sur chaque voie
- VU-mètre à leds commutable (Préécoute/Niveau de sortie)
- Préécoute cumulable avec réglage cue/PGM
- Réglages séparés: sorties master & zone, balance, volume casque
- Sorties master, zone et enregistrement sur connecteurs RCA
- Sortie master symétrique
- Entrée micro sur prise combo XLR/Jack 6.35mm
- Micro avec correction paramétrique 2 bandes
- Réglage volume micro par potentiomètre rotatif
- Talk-Over
- Sortie casque sur embase Jack 6.35mm

MISES EN GARDE:

1. Toutes les instructions de fonctionnement doivent être lues avant utilisation de l'appareil.
2. Afin de réduire les risques de chocs électriques veuillez ne pas ouvrir l'appareil.

En cas de problème merci de prendre contact
auprès d'un technicien qualifié ou du SAV Gemini France
au 01 69 79 97 79 (Du lundi au vendredi de 14h à 17h).

3. Ne pas exposer l'appareil au soleil; ne pas l'exposer non plus à toute source de chaleur (Ex.: radiateur, poêle).
4. Cet appareil ne doit être nettoyé qu'avec un chiffon humide. N'utilisez pas de solvants ou d'autres produits de nettoyage.
5. Lorsque vous déplacez cet appareil, veuillez à le placer dans son emballage et carton d'origine. Ceci réduira tout risque d'endommagement durant le transport.
6. **PROTÉGEZ CET APPAREIL CONTRE LA PLUIE - L'HUMIDITÉ.**
7. **N'APPLIQUEZ AUCUN PRODUIT DE NETTOYAGE OU DE LUBRIFICATION SUR LES COMMANDES (FADERS & CROSSFADER), LES INTERRUPTEURS ET COMMUTATEURS.**

CONNEXIONS:

1. Avant de brancher le cordon d'alimentation, assurez-vous que le **VOLTAGE SELECTOR (2)** (sélecteur de tension) se trouve sur la tension correcte (230V).
2. Vous trouverez en face arrière l'embase **115/230V (1)** permettant de connecter le cordon d'alimentation. Assurez vous que l'interrupteur de mise sous tension (70) est en position **OFF (éteint)**. La LED **POWER (65)** (LED témoin d'alimentation) doit alors être éteinte.
3. L'appareil comporte **4** sorties séparées:
 - **BALANCED MASTER OUTPUT (6)** (sortie principale symétrique): elle sert à relier la console à l'amplificateur

de puissance.

- **MASTER OUTPUT (3)** (sortie principale asymétrique): elle sert à relier la console à l'amplificateur de puissance.
- **ZONE OUTPUT (5)** (sortie cabine): permet de relier votre console à un amplificateur supplémentaire.
- **REC OUTPUT (4)** (sortie enregistrement): sert à relier votre console à l'entrée enregistrement de votre enregistreur.

4. Sur le panneau arrière, il y a **2** entrées stéréo commutables **PHONO/LINE (13,16)** et **5** entrées stéréo **LINE (7,8, 9, 14,17,18)**. Les commutateurs **PHONO/LINE (12, 15)** permettent de régler les entrées sur **PH1** ou **PH2** (position haute) ou sur **LN2** ou **LN4** (Position basse). Les entrées phono n'acceptent que des platines vinyles. Vous trouverez une **VIS DE MASSE (11)** en face arrière de la console **MM-03**, entre afin d'y relier la masse de chaque platine vinyle. Elles sont situées entre les **COMMUTATEURS (12, 15)**. Les entrées **LIGNE STÉRÉO (LN)** acceptent n'importe quelle entrée de niveau ligne telle que **Lecteur CD, Lecteur cassette, MD, DAT, etc.**

NOTE: NE PAS BRANCHER LA MASSE DES PLATINES VINYLES PROVOQUERA UN BOURDONNEMENT.

5. L'entrée **DJ MIC 1 (20)** (située en face avant) utilise un connecteur **XLR**. Les entrées **MIC 2 (19)** & **MIC 3 (10)** (situées en face arrière) utilisent un connecteur Jack mono 6.35 mm. Ces entrées micro sont asymétriques.
6. Le casque se connecte en face avant à la prise Jack 6.35mm **HEADPHONE (60)**.

FONCTIONNEMENT:

1. **POWER ON (MISE SOUS TENSION):** Dès que tous les branchements sont effectués à votre mélangeur, appuyez sur la touche **POWER (70)** (mise sous tension). L'appareil se mettra sous tension et la **POWER LED (65)** s'allumera.
2. **CANAL 1:** Vous devez sélectionner la source au préalable. Utilisez le commutateur **LN SWITCH (25)** afin de choisir **LINE 1 (18)** ou **MIC 2 (19)**. Réglez le niveau audio à l'aide du **FADER (31)**. Vous pouvez ajuster le gain de la voie à l'aide du potentiomètre rotatif **GAIN (26)** et modifier la tonalité à l'aide des correcteurs paramétriques **AIGU (28)**, **MEDIUM (29)**, **BASS (30)**.
3. **CANAL 2:** Vous devez sélectionner la source au préalable. Utilisez le commutateur **LN SWITCH (32)** afin de choisir **PH 1/LINE 2 (16)** ou **LINE 3 (17)**. Réglez le niveau audio à l'aide du **FADER (38)**. Vous pouvez ajuster le gain de la voie à l'aide du potentiomètre rotatif **GAIN (33)** et modifier la tonalité à l'aide des correcteurs paramétriques **AIGU (35)**, **MEDIUM (36)**, **BASS (37)**.
4. **CANAL 3:** Vous devez sélectionner la source au préalable. Utilisez le commutateur **LN SWITCH (39)** afin de choisir **PH 2/LINE 4 (13)** ou **LINE 5 (14)**. Réglez le niveau audio à l'aide du fader (45). Vous pouvez ajuster le gain de la voie à l'aide du potentiomètre rotatif **GAIN (40)** et modifier la tonalité à l'aide des correcteurs paramétriques **AIGU (42)**, **MEDIUM (43)**, **BASS (44)**.
5. **CANAL 4:** Vous devez sélectionner la source au préalable. Utilisez le commutateur **LN SWITCH (46)** afin de choisir **LINE 6 (9)** ou **MIC 3 (10)**. Réglez le niveau audio à l'aide du **FADER (52)**. Vous pouvez ajuster le gain de la voie à l'aide du potentiomètre rotatif **GAIN (47)** et modifier la tonalité à l'aide des correcteurs paramétriques **AIGU (49)**, **MEDIUM (50)**, **BASS (51)**.
6. **CANAL 5:** Vous devez sélectionner la source au préalable. Utilisez le commutateur **LN SWITCH (53)** afin de

Utilisez le commutateur **LN SWITCH** (53) afin de choisir **LINE 7** (8) ou **LINE 8** (7). Réglez le niveau audio à l'aide du **FADER** (59). Vous pouvez ajuster le gain de la voie à l'aide du potentiomètre rotatif **GAIN** (54) et modifier la tonalité à l'aide des correcteurs paramétriques **AIGU** (56), **MEDIUM** (57), **BASS** (58).

7. **PREECOUTE**: En reliant un casque à la prise **HEADPHONE** (60), vous pouvez pré-écouter l'ensemble des voies. Appuyez sur les touches **CUE** (27, 34, 41, 48, 55) afin de sélectionner l'une des 5 voies. Lorsque cette fonction est enclenchée, la touche **CUE** s'illumine. Utilisez le potentiomètre rotatif **CUE** (61) afin de régler le volume du casque. Vous pouvez mixer la source en préécoute avec le signal général en manipulant le fader **CUE/PGM** (62). En poussant à gauche vous aurez uniquement le signal préécoute de la voie sélectionnée. En poussant à droite vous aurez uniquement le signal général. Au milieu, vous aurez le mélange des deux signaux..

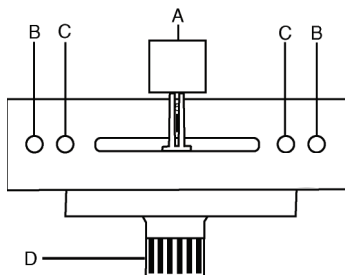
8. **REGLAGE DU NIVEAU DE SORTIE**: Lorsque vous avez réglé l'ensemble de vos sources, vous devez ajuster le niveau de sortie général (Master) à l'aide du potentiomètre **MASTER VOLUME** (64). Vous pouvez régler le volume de la sortie zone à l'aide du potentiomètre **ZONE VOLUME** (66). Le contrôle de la balance s'effectue par le potentiomètre rotatif **BALANCE** (63).

9. **ASSIGNATION**: Le crossfader est assignable à l'aide des touches 67 & 68. Chaque touche possède 5 positions. La touche de **GAUCHE** (67) vous permet d'assigner l'un des 5 canaux au côté gauche du **CROSSFADER** (69). La touche de **DROITE** (68) vous permet d'assigner l'un des 5 canaux au côté droit du crossfader (69).

10. **CROSSFADER**: Le **CROSSFADER** (69) permet de mélanger deux sources. La console **MM-03** est équipée d'un **CROSSFADER** (69) assignable. Les commutateurs rotatifs 67 & 68 permettent de sélectionner l'assignation de telle ou telle voie au **CROSSFADER** (69). Ce dernier est interchangeable et facilement remplaçable. Votre console de mixage Gemini est équipée d'un **RG-45 (RAIL-GLIDE™) Dual-Rail**. Ce **crossfader Rail Glide™** est équipé de deux glissières en acier inoxydable autorisant ainsi un meilleur toucher. Vous pouvez aussi équiper, en option, votre console de mixage d'un **RG-45 PRO**. Ce crossfader est spécifique au scratch. Ces pièces détachées sont disponibles auprès des revendeurs Gemini:

CROSSFADER RAIL GLIDE INTERCHANGEABLE

1. Dévissez les vis situées aux extrémités du **CROSSFADER** (B). Ne touchez pas aux vis (C).
2. Soulevez soigneusement le crossfader et débranchez le **CABLE** (D).
3. Branchez le nouveau crossfader au **CABLE** (D) et replacez-le dans la console de mixage.
4. Remettez en place les vis (B).



11. **MICROS**: Le **MICRO 1** se branche au connecteur **COMBO XLR/Jack 6.35mm** (20) situé en face avant. Le **MICRO 1** bénéficie d'une double correction de tonalité **AIGU** (22) & **BASS** (23). Le volume du **MICRO 1** est contrôlé par le potentiomètre rotatif **VOLUME** (21) situé en face avant. Les **MICRO 2** & **MICRO 3** se connectent en face arrière aux embases Jack 6.35mm (10 & 19). Le réglage de volume de ces micros s'effectue respectivement par les **FADERS 31 (CANAL 1)** & **52 (CANAL 4)**. Vous disposez par chacun de ces micros d'un réglage de **GAIN** (26 & 47) et d'un correcteur paramétrique 3 bandes (**AIGU** 28, 49 - **MEDIUM** 29,50 - **BASS** 30, 51).

12. **TALKOVER (ATTENUATEUR)**: Cette fonction permet d'abaisser le niveau musical afin de donner la priorité aux micros. Le commutateur **MIC/TALKOVER SWITCH** (24) agit sur **MIC 1** (20). Il comporte trois réglages:

- Lorsque le commutateur **MIC/TALKOVER SWITCH** (24) occupe la position du **BAS**, le **MIC 1** (20) et la fonction talkover sont au repos.

- Lorsque le commutateur **MIC/TALKOVER SWITCH** (24) occupe la position **CENTRALE**, le **MIC 1** (20) fonctionne. La led **TALKOVER** (24) s'allume quand le **TALKOVER** (24) fonctionne.

- Lorsque le commutateur **MIC/TALKOVER SWITCH** (24) occupe la position du **HAUT**, le **MIC 1** (20) et le **TALKOVER** (24) fonctionnent: le volume de toutes les autres sources est atténué de **-16 dB (Sauf MIC 1)**.

13. **VU METRE**: Le **VU METRE** (65) indique les niveaux gauche & droit (stéréo) de sortie général **MASTER RCA** (3).

CARACTÉRISTIQUES TECHNIQUES

ENTREES:

Phono.....	3 mV, 47 kOhms
Ligne.....	150 mV, 27 kOhms
MICRO 1, 2, & 3.....	1.5 mV, 1 kOhms Symétrique
Bass.....	± 12dB
Aigu.....	± 12dB

SORTIES:

Amplificateur/Zone.....	0 dB 1V, 400Ohms
Max.....	20 V Crête/Crête
Enregistrement.....	225 mV, 5 kOhms

CARACTERISTIQUES GENERALES:

Bande passante.....	20Hz - 20KHz +/- 2 dB
Distortion.....	< 0.02%
Rapport Signal/Bruit.....	> 80 dB
Atténuation talkover.....	-16 dB
Impédance sortie casque.....	16 Ohms
Alimentation.....	115 V/60 Hz
.....	230 V/50 Hz 20W
Dimensions.....	L 19" x H 4" x W 7.42"
.....	(482.6 x 101.6 x 188.6 mm)
Poids net.....	4.01 Kg

LES SPÉCIFICATIONS ET LA CONCEPTION PEUVENT CHANGER SANS PRÉAVIS POUR DES RAISONS D'AMÉLIORATION.



gemini[®]

IN THE USA: IF YOU EXPERIENCE PROBLEMS WITH THIS UNIT, CALL 1-732-738-9003 FOR GEMINI CUSTOMER SERVICE. DO NOT ATTEMPT TO RETURN THIS EQUIPMENT TO YOUR DEALER.

Parts of the design of this product may be protected by worldwide patents. Information in this manual is subject to change without notice and does not represent a commitment on the part of the vendor. Gemini Sound Products Corp. shall not be liable for any loss or damage whatsoever arising from the use of information or any error contained in this manual. No part of this manual may be reproduced, stored in a retrieval system or transmitted, in any form or by any means, electronic, electrical, mechanical, optical, chemical, including photocopying and recording, for any purpose without the express written permission of Gemini Sound Products Corp. It is recommended that all maintenance and service on this product is performed by Gemini Sound Products Corp. or its authorized agents. Gemini Sound Products Corp. will not accept liability for loss or damage caused by maintenance or repair performed by unauthorized personnel.



**Worldwide Headquarters • 120 Clover Place, Edison, NJ 08837 • USA
Tel: (732) 738-9003 • Fax: (732) 738-9006**

France • Gemini France (GSL) • 1, Allée d'Effiat, Parc de l'événement, 91160 Longjumeau, France
Tél: + 33 1 69 79 97 70 • Fax: + 33 1 69 79 97 80

Germany • Gemini Sound Products GmbH • Liebigstr. 16, Haus B - 3.0G, 85757 Karlsfeld, Germany
Tel: 08131 - 39171-0 • Fax: 08131 - 39171-9

UK • Gemini Sound Products • Unit C4 Hazleton Industrial Estate, P08 9JU Waterlooville, UK
Tel: 087 087 00880 • Fax: 087 087 00990

Spain • Gemini Sound Products S.A. • Rosello, 516, 08026 Barcelona, Spain,
Tel: 349-3435-0814 • Fax: 3493-347-6961

© Gemini Sound Products Corp. 2004 All Rights Reserved.

Free Manuals Download Website

<http://myh66.com>

<http://usermanuals.us>

<http://www.somanuals.com>

<http://www.4manuals.cc>

<http://www.manual-lib.com>

<http://www.404manual.com>

<http://www.luxmanual.com>

<http://aubethermostatmanual.com>

Golf course search by state

<http://golfingnear.com>

Email search by domain

<http://emailbydomain.com>

Auto manuals search

<http://auto.somanuals.com>

TV manuals search

<http://tv.somanuals.com>