
O.S. ENGINE FT-160 <Gemini-160>

OWNER'S INSTRUCTION MANUAL

It is of vital importance, before attempting to operate your engine, to read the general **'SAFETY INSTRUCTIONS AND WARNINGS'** section on pages 2-4 of this booklet and to strictly adhere to the advice contained therein.

- Also, please study the entire contents of this instruction manual, so as to familiarize yourself with the controls and other features of the engine.
- Keep these instructions in a safe place so that you may readily refer to them whenever necessary.
- It is suggested that any instructions supplied with the aircraft, radio control equipment, etc., are accessible for checking at the same time.



Horizontally-opposed twin-cylinder overhead-valve four-stroke-cycle

CONTENTS

SAFETY INSTRUCTIONS AND WARNINGS ABOUT YOUR O.S. ENGINE	2-4	FLIGHT	22
INTRODUCTION, TOOLS AND ACCESSORIES	5	CARE AND MAINTENANCE	22
ENGINE PARTS NAME	6-7	VALVE CLEARANCE ADJUSTMENT	23-25
INSTALLATION,	8-10	ENGINE EXPLODED VIEWS	26
PROPELLER, FUEL TANK	10-11	ENGINE PARTS LISTS	27
GLOWPLUGS,	12	CARBURETOR EXPLODED VIEWS & PARTS LIST	28
GLOWPLUG HEATING	13-14	O.S. GENUINE PARTS & ACCESSORIES	29
FUEL AND LUBRICATION, STARTING	15-18	ENGINE THREE VIEW DRAWINGS	30
RUNNING-IN ("Breaking-in")	18-19		
THROTTLE VALVE ADJUSTMENT	19-21		

SAFETY INSTRUCTIONS AND WARNINGS ABOUT YOUR O.S. ENGINE

Remember that your engine is not a "toy", but a highly efficient internal-combustion machine whose power is capable of harming you, or others, if it is misused or abused. As owner, you, alone, are responsible for the safe operation of your engine, so act with discretion and care at all times.

If at some future date, your O.S. engine is acquired by another person, we would respectfully request that these instructions are also passed on to its new owner.

- The advice which follows is grouped under two headings according to the degree of damage or danger which might arise through misuse or neglect.





WARNINGS

These cover events which might involve serious (in extreme circumstances, even fatal) injury.

NOTES

These cover the many other possibilities, generally less obvious sources of danger, but which, under certain circumstances, may also cause damage or injury.

WARNINGS

- Never touch, or allow any object to come into contact with, the rotating propeller and do not crouch over the engine when it is running. 
- A weakened or loose propeller may disintegrate or be thrown off and, since propeller tip speeds with powerful engines may exceed 600 feet(180 metres) per second, it will be understood that such a failure could result in serious injury, (see 'NOTES' section relating to propeller safety).
- Model engine fuel is poisonous. Do not allow it to come into contact with the eyes or mouth. Always store it in a clearly marked container and out of the reach of children. 
- Model engine fuel is also highly flammable. Keep it away from an open flame, excessive heat, sources of sparks, or anything else which might ignite it. Do not smoke or allow anyone else to smoke, near to it. 
- Never operate your engine in an enclosed space. Model engines, like automobile engines, exhaust deadly carbon-monoxide. Run your engine only in an open area.
- Model engines generate considerable heat. Do not touch any part of your engine until it has cooled. Contact with the muffler(silencer), cylinder head or exhaust header pipe, in particular, may result in a serious burn. 

2

NOTES

- This engine was designed for model aircraft. Do not attempt to use it for any other purpose.
- Mount the engine in your model securely, following the manufacturers' recommendations, using appropriate screws and locknuts.
- Be sure to use the silencer (muffler) supplied with the engine. Frequent exposure to an open exhaust may eventually impair your hearing. Such noise is also likely to cause annoyance to others over a wide area.
- If you remove the glowplug from the engine and check its condition by connecting the battery leads to it, do not hold the plug with bare fingers. Use an appropriate tool or a folded piece of cloth.
- Install a top-quality propeller of the diameter and pitch specified for the engine and aircraft. Locate the propeller on the shaft so that the curved face of the blades faces forward-i.e. in the direction of flight. Firmly tighten the propeller nut, using the correct size wrench.
- Always check the tightness of the propeller nut and retighten it, if necessary, before restarting the engine, particularly in the case of four-stroke-cycle engines. If a safety locknut assembly is provided with your engine, always use it. This will prevent the propeller from flying off in the event of a "backfire", even if it loosens. Also, check the tightness of all the screws and nuts before restarting the engine.
- If you install a spinner, make sure that it is a precision made product and that the slots for the propeller blades do not cut into the blade roots and weaken them.
- Discard any propeller which has become split, cracked, nicked or otherwise rendered unsafe. Never attempt to repair such a propeller: destroy it. Do not modify a propeller in any way, unless you are highly experienced in tuning propellers for specialized competition work such as pylon-racing.

! NOTES

- Use an electric starter for this engine. The wearing of safety glasses is also strongly recommended.
- Take care that the glow plug clip or battery leads do not come into contact with the propeller. Also check the linkage to the throttle arm. A disconnected linkage could also foul the propeller.
- After starting the engine, carry out any needle-valve readjustments from a safe position behind the rotating propeller. Stop the engine before attempting to make other adjustments to the carburetor.
- Adjust the throttle linkage so that the engine stops when the throttle stick and trim lever on the transmitter are fully retarded. Alternatively, the engine may be stopped by cutting off the fuel supply. Never try to stop the engine physically.
- Take care that loose clothing (ties, shirt sleeves, scarves, etc.) do not come into contact with the propeller. Do not carry loose objects (such as pencils, screwdrivers, etc.) in a shirt pocket from where they could fall through the propeller arc.
- Do not start your engine in an area containing loose gravel or sand. The propeller may throw such material in your face and eyes and cause injury.
- For their safety, keep all onlookers (especially small children) well back (at least 20 feet or 6 meters) when preparing your model for flight. If you have to carry the model to the take-off point with the engine running, be especially cautious. Keep the propeller pointed away from you and walk well clear of spectators.
- Warning! Immediately after a glowplug-ignition engine has been run and is still warm, conditions sometimes exist whereby it is just possible for the engine to abruptly restart if the propeller is casually flipped over compression WITHOUT the glowplug battery being reconnected. Remember this if you wish to avoid the risk of a painfully rapped knuckle!

4

INTRODUCTION

The O.S. FT-160 (Gemini-160) is a horizontally-opposed twin-cylinder overhead-valve four-stroke-cycle engine of 26.5cc (1.62cu.in) displacement. The horizontally-opposed layout, typical of modern light aircraft engine design, provides very smooth running qualities and docile, trouble-free handling characteristics.

TOOLS AND ACCESSORIES

The following tools and accessories are supplied with your engine.

No.	Description	Quantity
1	Radial Motor Mount Set	
1-1	Radial Motor Mount	1
1-2	Mount fixing screw (M5X25)	4
1-3	Lock washers (ø5)	4
1-4	Blind nuts (M5)	4
1-5	Engine Fixing Screw (M4X22)	4
2	Set of leads for wiring glow plugs	
2-1	Leads for glow plug with clip	2
2-2	Lead for earth (ground)	1

No.	Description	Quantity
3	Woodruff key	1
4	Valve adjusting tool kit	1
5	Hexagonal (Allen) Key (4mm)	1
6	Choke valve rod	1

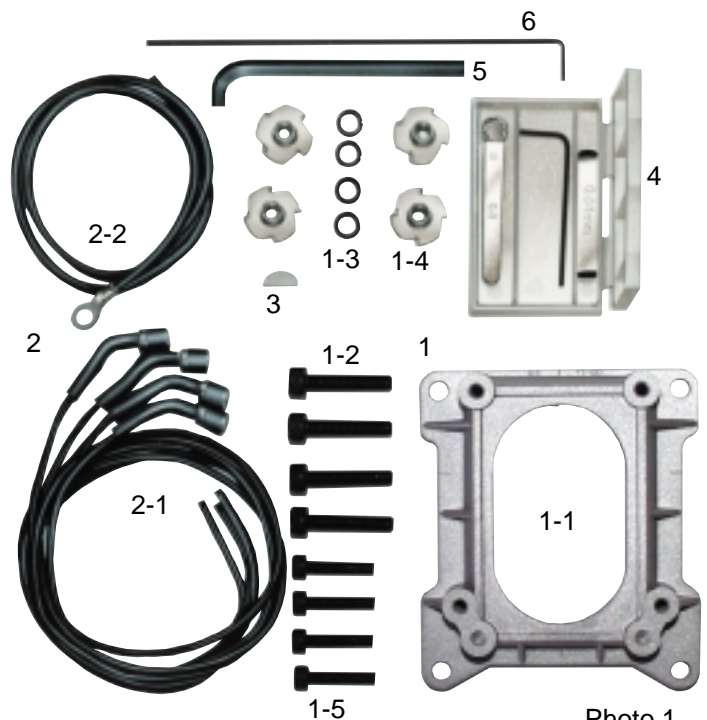
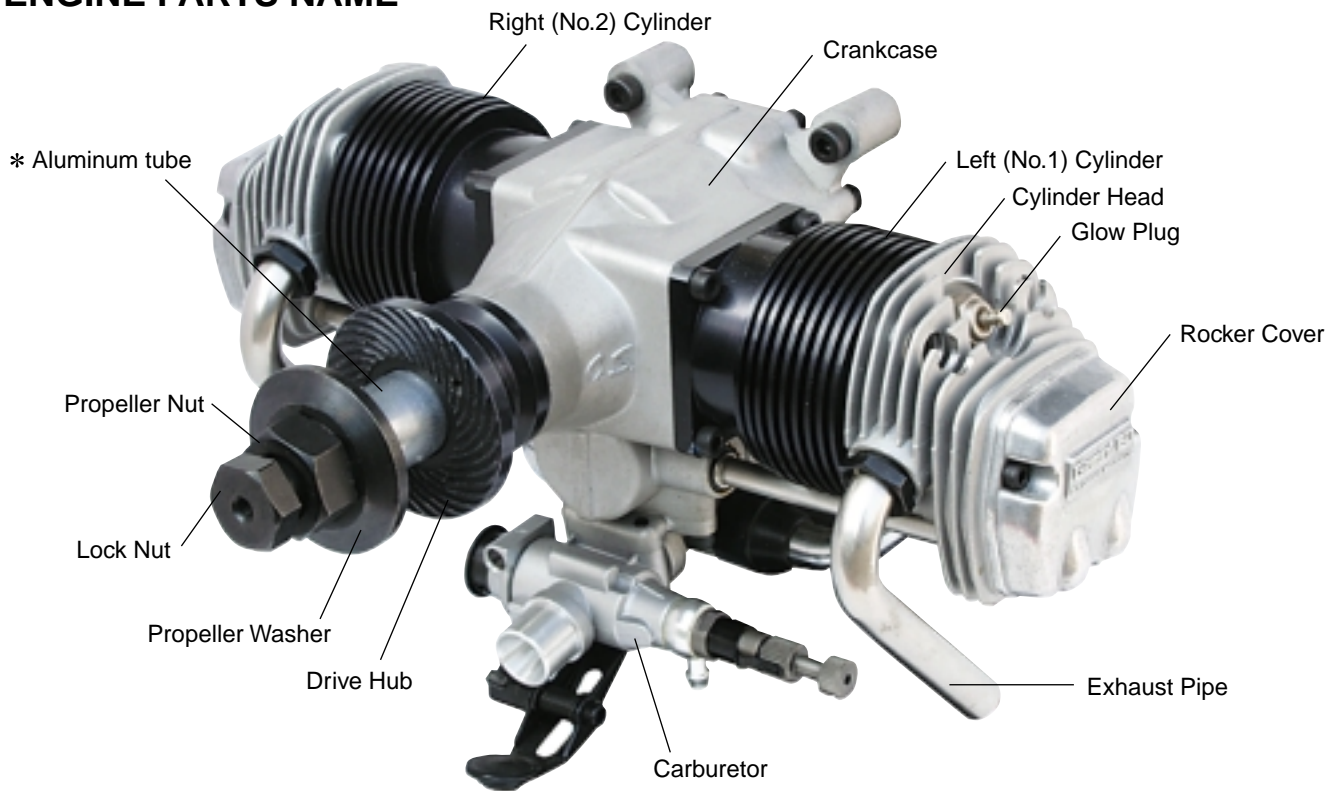


Photo 1

ENGINE PARTS NAME

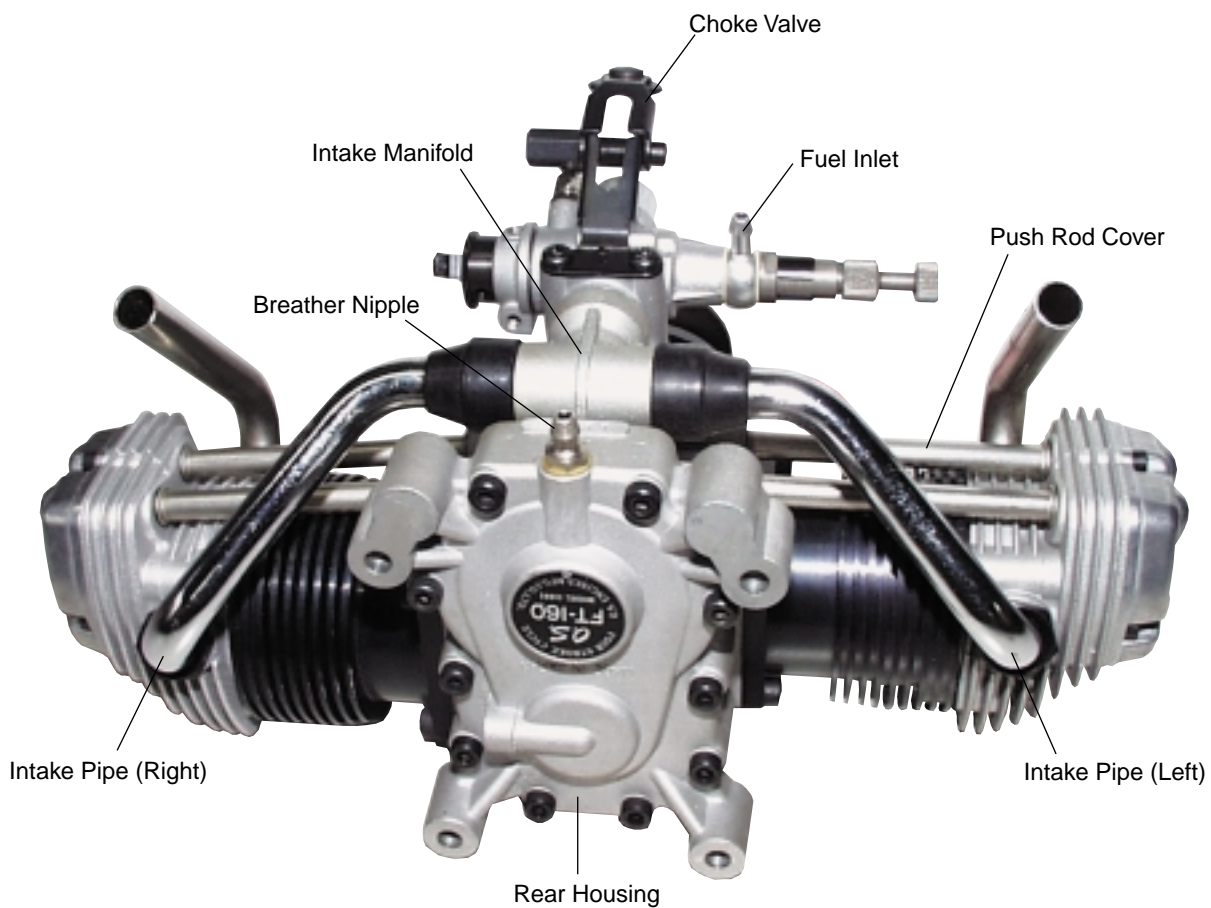
Photo. 2



* Aluminum tube is not supplied with the engine.

6

Photo. 3



INSTALLATION

- It is essential that the firewall is strong and rigid (e.g. at least 15mm thick) and firmly integrated with the structure of the aircraft.
- In the interests of scale appearance, the engine should be installed with the carburetor below the crankcase so that the exhaust pipes point downwards.

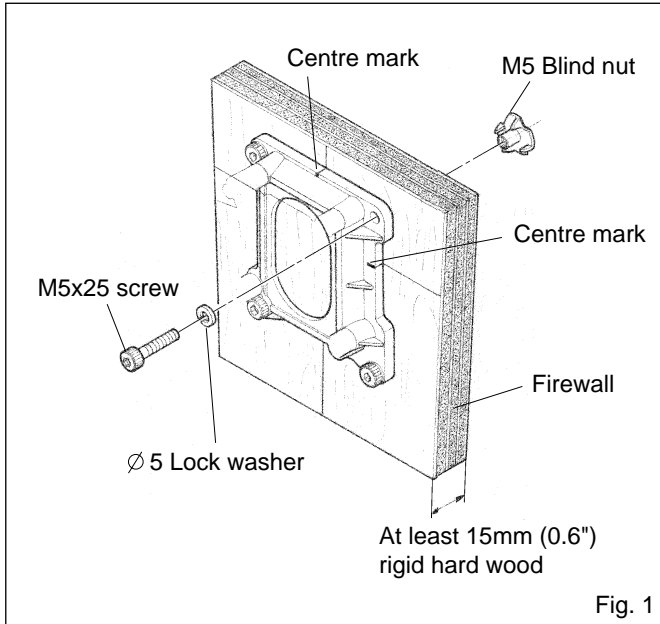


Fig. 1

Needle-valve extension

- The needle-valve with this engine is designed to incorporate an extension so that, when the engine is enclosed within the fuselage, the needle-valve may be adjusted from the outside. An L-shaped rod, of 1.6-1.8mm dia. and appropriate length, should be inserted into the needle's centre hole and secured by tightening the set-screw in the needle-valve knob with the small Allen key provided. For longer extension, it is recommended to use the extension cable with the engine, together with the knob and support hook also. For this purpose, Needle Valve Extension Cable Set (Code No. 72200080) is available as an optional part.
- Do not use an excessively long unsupported extension as this may vibrate and cause the needle-valve setting to vary or even damage the needle-valve thread. Always provide a suitable support at the outer end.

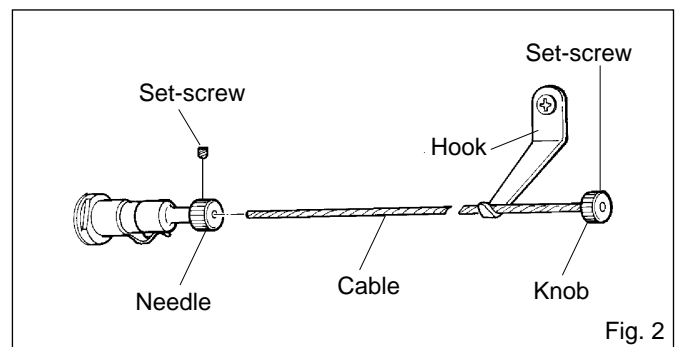


Fig. 2

8

Choke valve

The choke valve operating lever can be located right or left by reversing the hexagon nut and cap screw.

- Unscrew the cap screw while holding the hexagon nut with 6mm wrench, and re-fit the lever to required location.
- If the rod is too long, reduce it to required length.
- A needlessly lengthy rod may vibrate. The rod should be as short as possible or have its outer end supported.

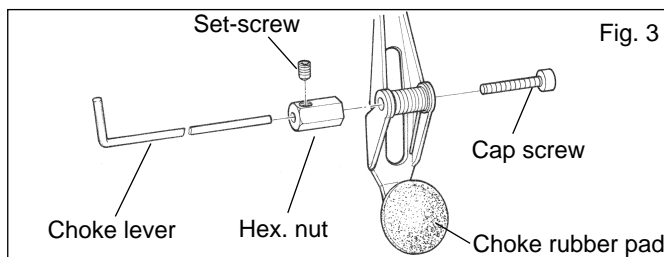


Fig. 3

Fuel inlet

The fuel inlet nipple on the carburetor can be adjusted to the most suitable position for connecting to the fuel delivery tube from the tank. Slacken the needle-valve holder with the 8mm wrench provided, reset the inlet nipple at the required angle and re-tighten.

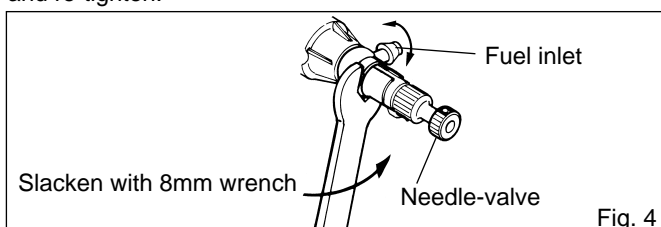


Fig. 4

Exhaust pipe adjustment

- The direction of the exhaust pipes may be altered in accordance with individual installation requirements. The angle is easily adjusted by loosening the nut that secures the exhaust pipe to the cylinder head. Use the 12mm wrench supplied.

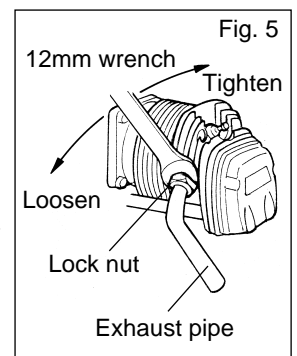


Fig. 5

Carburetor cleanliness

- It is recommended that the fuel is passed through a filter when the tank is filled and that a good in-line filter is installed between the fuel tank and carburetor.
- Occasionally remove the needle-valve holder from the carburetor and rinse out the locations shown in Fig. 6 and Fig. 7 with methanol or fuel. Be careful not to lose the gasket when removing the needle-valve holder from the carburetor.

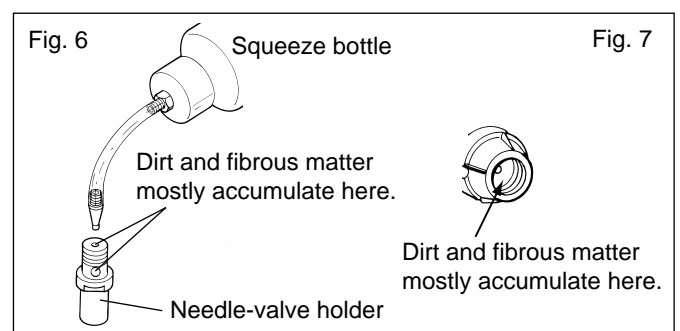


Fig. 6

Fig. 7

Carburetor

The needle-valve and throttle lever locations are interchangeable by reversing the carburetor. This can be done as follows:

Remove the carburetor carefully by unscrewing the two screws which secure both carburetor and choke valve.

After reversing the carburetor, re-insert it into the intake manifold, taking care not to damage the O-ring in the manifold.

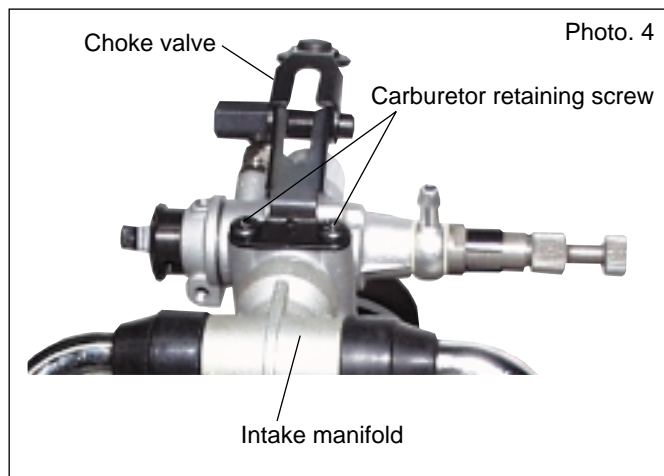


Photo. 4

PROPELLER

The choice of propeller depends on the design and weight of the aircraft and on the type of flying in which you will be engaged. Determine the best size and type after practical experimentation. As a starting point, refer to the props listed in the accompanying table. Slightly larger, or even slightly smaller, props than those shown in the table may be used, but remember that propeller noise will increase if blade tip velocity is raised, due to higher rpm or if a larger-diameter / lower-pitch prop is used.

Warning:

Make sure that the propeller is well balanced. An unbalanced propeller and / or spinner can cause serious vibration which may weaken parts of the airframe or affect the safety of the radio-control system.

DO NOT forget the WARNINGS and NOTES on propeller and spinner safety given on pages 2,3 and 4.

Type	Size (DxP)
Sport/Scale	16x8, 18x6-8, 20x6

NOTE:

Make a habit of always checking the tightness of the propeller before starting the engine. Remember that, especially with wooden propellers, there is a tendency for the material to shrink, or for it to be reduced by the serrated face of the drive hub. Retighten the propeller nut if necessary after loosening the Safety Propeller Locknut. The locknut should be tightened firmly after retightening the propeller nut.

10

PROPELLER & SPINNER ATTACHMENT

There is a risk, particularly with powerful four-stroke engines, of the propeller flying off if the prop nut loosens due to detonation ("knocking") in the combustion chamber when the engine is operated too lean, or under an excessively heavy load.

Obviously, this can be very hazardous. To eliminate such dangers, the O.S. Safety Locknut Assembly was devised.

Install this as follows:

1. Ream the propeller shaft hole to 12mm bore with an appropriate reamer, checking that the hole is exactly centered.
2. Install the prop to the engine shaft, followed by the retaining washer and prop nut and tighten firmly with a 17mm wrench. (not supplied).
3. Add the special tapered and slotted locknut and secure with a 12mm wrench while holding the prop nut with the 14mm wrench. (not supplied).

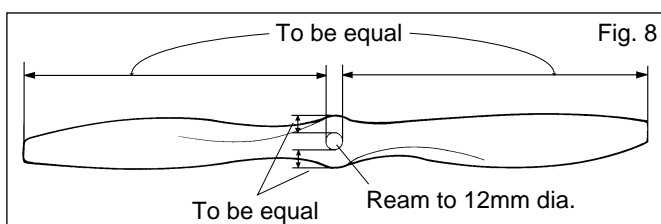


Fig. 8

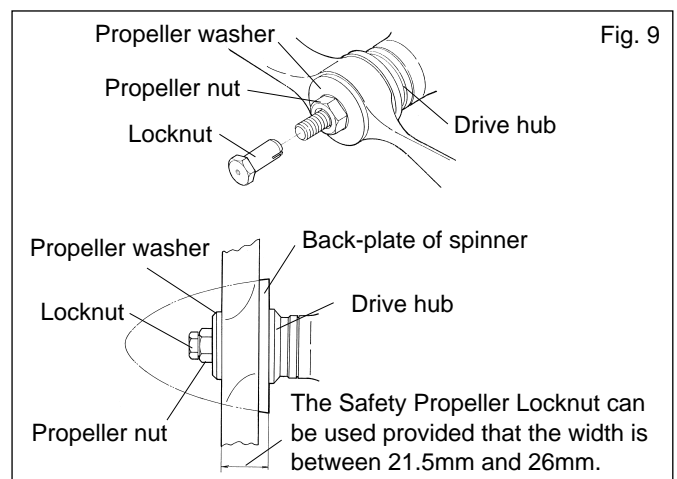


Fig. 9

FUEL TANK

The suggested fuel tank size is 400cc or 14 oz. This will give approximately 10 minutes running time at full power, or about 13-15 minutes when some part-throttle operation is included. Fuel consumption also depends, of course, on the size of propeller used.

The ideal fuel tank location is with the top of the tank 5-10mm (1/4-3/8") above the needle valve. However, model design will usually require the tank to be located higher than this and there should be no trouble with such a tank location provided that you do not pursue spectacular aerobatic flight.

If the tank is located high, fuel will flow into the carburetor when the tank is full. Therefore, pinch the fuel line with a clip, when the engine is not running, to prevent flooding and loss of fuel.

GLOWPLUGS

The FT-160 is supplied with an O.S. Type F glowplug, specially designed for O.S. four-stroke engines.

The role of the glowplug

With a glowplug engine, ignition is initiated by the application of a 1.5-volt power source. When the battery is disconnected, the heat retained within the combustion chamber remains sufficient to keep the plug filament glowing, thereby continuing to keep the engine running. Ignition timing is 'automatic' : under reduced load, allowing higher rpm, the plug becomes hotter and, appropriately, fires the fuel/air charge earlier; conversely, at reduced rpm, the plug becomes cooler and ignition is retarded.

Glowplug life

Particularly in the case of very high performance engines, glowplugs must be regarded as expendable items.

However, plug life can be extended and engine performance maintained by careful use, i.e.:

- Install a plug suitable for the engine.
- Use fuel containing a moderate percentage of nitromethane unless more is essential for racing events.
- Do not run the engine too lean and do not leave the battery connected while adjusting the needle.

When to replace the glowplug

Apart from when actually burned out, a plug may need to be replaced because it no longer delivers its best performance, such as when:

- Filament surface has roughened and turned white.
- Filament coil has become distorted.
- Foreign matter has adhered to filament or plug body has corroded.
- Engine tends to cut out when idling.
- Starting qualities deteriorate.

12

GLOWPLUG HEATING

Glowplug battery

It is necessary to use a glowplug battery of fairly large capacity (10Ah or more) as this is required to heat four glowplugs simultaneously.

A heavy-duty 1.5-volt dry battery or (preferably) 1.2-volt Ni-Cd battery may be used.

A 2-volt lead-acid cell (accumulator) may also be used but only if provision is made for reducing the voltage at the plugs since these are nominally rated at 1.5-volt. See notes below.

The two glowplug leads supplied with the engine should be brought together (Fig.13) and connected to a conveniently located common external point on the fuselage. This can either be a terminal with a separate terminal for the earth (ground) lead (Fig.10) or a suitable socket or jack with connections for both glowplug and earth (ground) leads (Fig.11). Note that the earth (ground) lead supplied is much heavier (2.0 mm² multi-strand copper core) than the plug leads as this has to have the capacity to carry the current for all two plugs. Similar wire should be used if a single lead is employed to extend the glowplug leads (Fig.13).

• Heavy-duty 1.5-volt dry battery

Use at least four heavy-duty cells wired in parallel (Fig.9) and with short heavy leads (to minimize voltage drop) to the connection point on the fuselage. The disadvantage of dry cells is that they cannot be recharged when their power diminishes and makes the engine difficult to start.

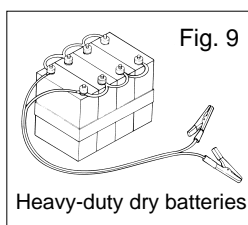


Fig. 9

• Ni-Cd (nickel-cadmium) 1.2-volt rechargeable battery

Use a 10-Ah cell, or 8 to 10 1.2-Ah cells (as commonly used for electric-powered R/C cars) wired in parallel and with short heavy leads (to minimize voltage drop) to the connection point on the fuselage.

• Lead-acid 2-volt rechargeable cell

A lead-acid cell of 10-Ah (preferably greater) capacity is required. However, in this case, it is necessary to reduce the applied voltage at the glowplugs to approximately 1.5 volt. The recommended method is to insert a suitable resistor in each individual plug lead. It is possible, of course, to use a rheostat attached to the 2-volt cell, or to use extra long leads (at least 2 metres) to obtain the required voltage drop. However, the disadvantage of this method is that if one glowplug should fail or become disconnected, voltage to the other three will be increased with the risk of burning out their elements.

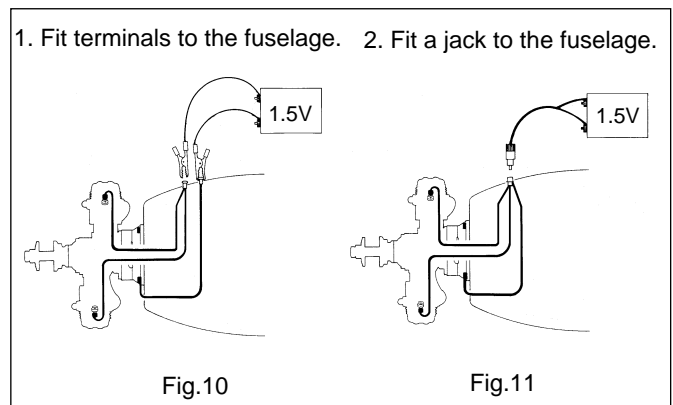


Fig. 10

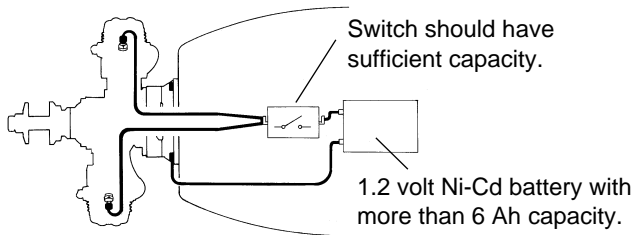
Fig. 11

Glowplug leads

- The plug leads are fitted with special snap-on connectors that ensure firm contact with O.S. plug. They are a "click" fit and are not suitable for use with most other makes of glowplug.
- The earth (ground) lead is fitted with a plug terminal which should be connected to the engine by means of one of the mounting screws.
- Make sure that no part of the wiring touches the cylinder head or cooling fins.
- Keep wiring away from the fuel tank where it might cause a fire in the event of a short-circuit.

Fig.12

Install Ni-Cd battery in the fuselage, and switch on or off by means of transmitter. (On-board battery)



If glowplug leads are extended together as a single cable, use heavier wire, e.g. 2.0 mm² multi-strand copper core as supplied for earth lead.

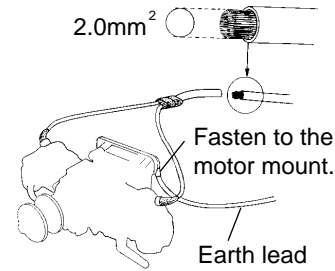


Fig.13

Glowplug re-heat

Under normal conditions, the FT-160 will idle sufficiently slowly with the throttle closed to permit a safe landing approach. However, if conditions (atmospheric, fuel, tank location etc.) are unfavourable, there may be a tendency for one cylinder to cease firing if the engine is throttled down to a very low idling speed. This can be prevented by installing a small on-board Ni-Cd battery which will automatically re-heat the glowplugs when the engine is throttled down to idling speed (Fig.12). A suitable switch should be installed so that it is actuated by the throttle servo only when the engine is throttled down. Safe idling speeds of less than 1,800 rpm may be obtained in this way and without undue drain on the battery.

FUEL AND LUBRICATION

Fuel

The FT-160 should be operated on a methanol based fuel containing not less than 18% (volumetric) castor oil, or a top quality synthetic lubricant (or a mixture of both), plus a small percentage (5-20%) of nitromethane for improved flexibility and power.

Reminder!

Model engine fuel is poisonous. Do not allow it to come into contact with the eyes or mouth. Always store it in a clearly marked container and out of the reach of children.

Model engine fuel is also highly flammable. Keep it away from open flame, excessive heat, sources of sparks, or anything else which might ignite it. Do not smoke, or allow anyone else to smoke, near to it.

Lubrication

All parts of the FT-160 are automatically lubricated by the oil content of the fuel mixture.

- The crankcase breather hole is located at the side of the engine and is fitted with a brass nipple. (See photo 3 on page 7.) Fit a length of silicone tubing of approx. 2.5-3mm I.D. to this nipple to conduct away the small amount of oil that escapes through the breather.
- Make a habit of draining out the excess oil in the crankcase at the end of each flying session. Leaving contaminated oil in the crankcase for a long time will cause rust. Also, residual castor oil will tend to solidify and lock the engine. Inject corrosion-inhibiting oil into the crankcase to neutralize the effects of any remaining contaminants.

STARTING

Precautions

For safety, please observe the following instructions before starting the engine.

- Start the engine by turning the propeller counter-clockwise (i.e. normal running direction).
- Do not start the engine with the throttle fully opened, otherwise the model will tend to move forward suddenly due to the strong thrust of the propeller. Hold both wings of the model when starting the engine.
- Do not carry out carburetor adjustments (except needle-valve adjustment) while engine is running.
- Use a high-torque electric starter.

Starting procedure is as follows:

1. Open the needle-valve 3 to 3.5 turns from the fully closed position (Fig.14).

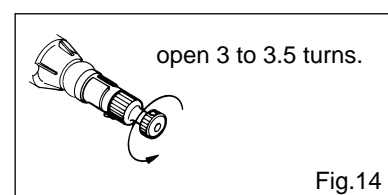


Fig.14

2. Make sure that glowplugs are not connected to the battery. Do not heat the glowplugs while priming. (Fig.15).

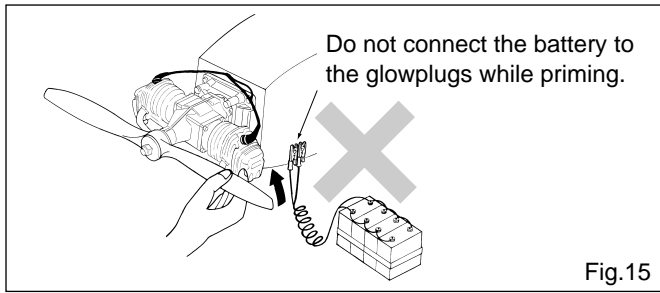


Fig.15

3. Open the throttle valve fully, close the choke valve and turn the propeller counter-clockwise through three revolutions. (Fig.16 & 17)

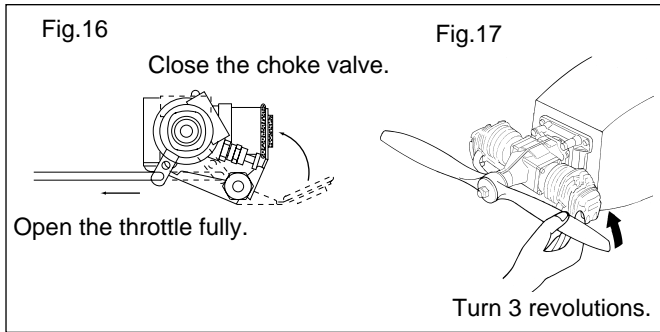


Fig.16

Fig.17

- If very strong compression is felt when trying to turn the propeller counter-clockwise, too much fuel has been drawn into the engine. In this case, do not use force, but release the choke valve and turn the propeller clockwise slowly to eject excess fuel through exhaust pipes.

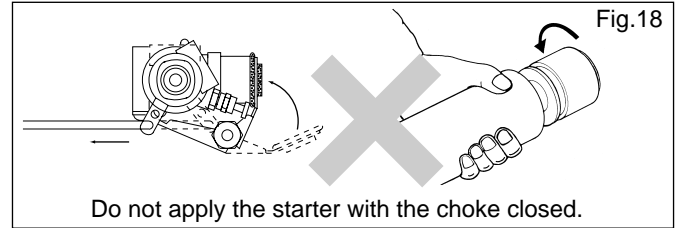


Fig.18

- Warning! Never close the choke valve when applying the starter. Such an action will cause an excess quantity of fuel to be drawn into the cylinder and result in hydraulic lock that may damage the engine. (Fig.18)

- Excess fuel in the carburetor may drip into the engine compartment when the choke valve is reopened. Therefore, it is advisable to drill a drain hole in the bottom of the engine bay or cowling and to apply fuelproof paint to the surrounding surfaces to prevent fuel from penetrating the airframe structure.

4. Release the choke control and immediately turn the propeller counter-clockwise several times so that fuel is drawn well into the cylinders (Fig.19).

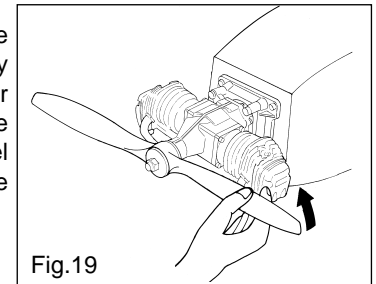


Fig.19

16

5. Set the throttle valve approximately 1/4 open from the fully closed position. (Fig.20).

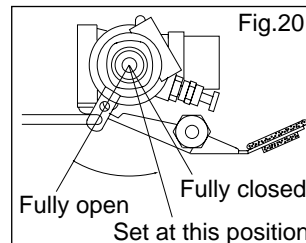


Fig.20

6. Starting with an electric starter (Fig.21)

- Make sure that the direction of rotation of the starter is correct.
- Connect the glowplug battery.
- Apply the electric starter.

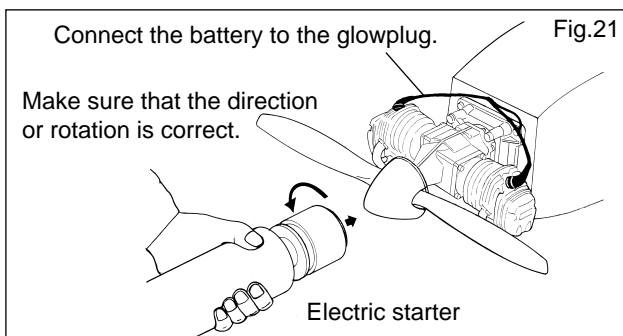


Fig.21

7. When the engine starts, open the throttle valve fully and keep it running initially (approx. 10 seconds), with original needle-valve setting.

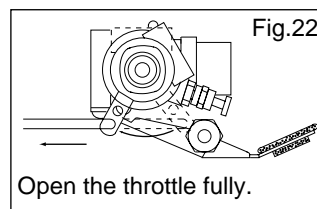


Fig.22

8. Make sure that all two cylinders are firing

- The engine is running properly if white smoke is emitted through all four exhaust pipes. A slight spray of fuel will be discharged through the exhaust pipe or any cylinder that is not firing.
- If a cylinder ceases firing, reduce the throttle setting to approximately 1/4 open from the fully closed position and re-connect the glowplug battery. Revolutions will increase when all cylinders are firing steadily.

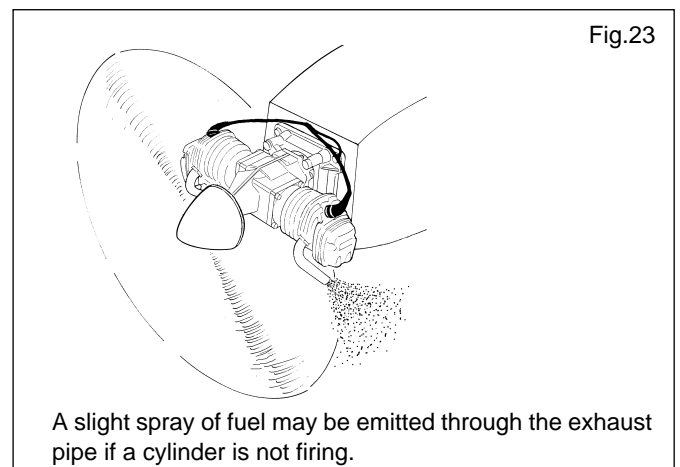
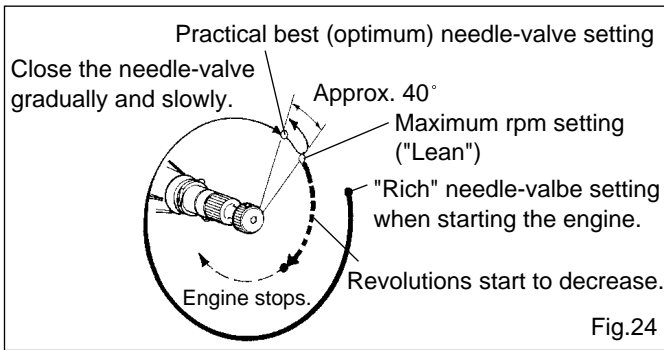


Fig.23

9. Now disconnect the glowplug battery.

10. Adjust the needle-valve

- Abrupt adjustment of the needle-valve may cause the engine to stop, especially when it is new and insufficiently run-in.
- As the speed of the engine does not instantly change with needle-valve readjustment, small movements, with pauses between, are necessary to arrive at the optimum setting.



Re-starting the engine when warm

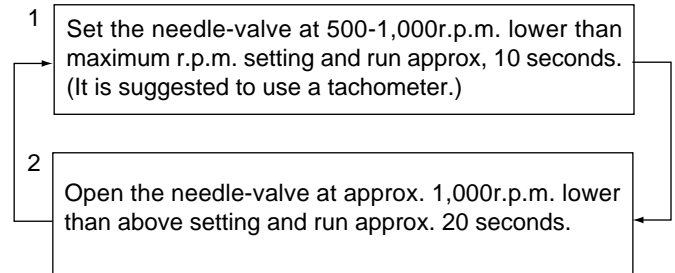
To re-start the engine when warm, simply re-energise the plugs and reapply the starter with the throttle in the idling position. If the engine does not start, disconnect the battery from the glowplugs and re-prime by closing the choke valve while rotating the propeller twice with the throttle open. Initially, the high temperature inside the combustion chambers may turn the liquid fuel into gas and emit it through the exhaust pipes. Therefore, repeat the priming procedure once or twice until the cylinders become cool enough for restarting.

RUNNING-IN ("Breaking-in")

Obtain a 18x6 propeller for running-in.

1. Running-in on the ground

Start the engine



Repeat above procedure, while increasing the setting 1 r.p.m. gradually, for approx. 10 minutes.

NOTE:

Keep the throttle fully open, using only the needle-valve to change r.p.m. Prolonged running-in on the ground is not suggested because the purpose is just initial running-in to increase engine temperature gradually close to that of maximum r.p.m.

18

2. Running-in in the air

Start the engine



Fly the model.

Set the needle-valve approx 40° open from optimum position (approx. 40° open from maximum r.p.m.).

NOTE: Avoid prolonged heavy load flight.

With each successive flight, close the needle-valve slightly, until, at the end of 10 flight, the needle-valve is set for optimum position.



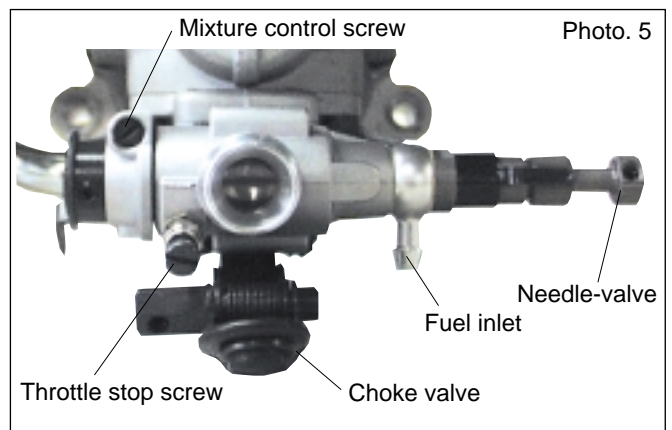
Finish running-in.

The carburetor can now be adjusted for optimum throttle performance following the instructions given in the next section.

THROTTLE VALVE ADJUSTMENT

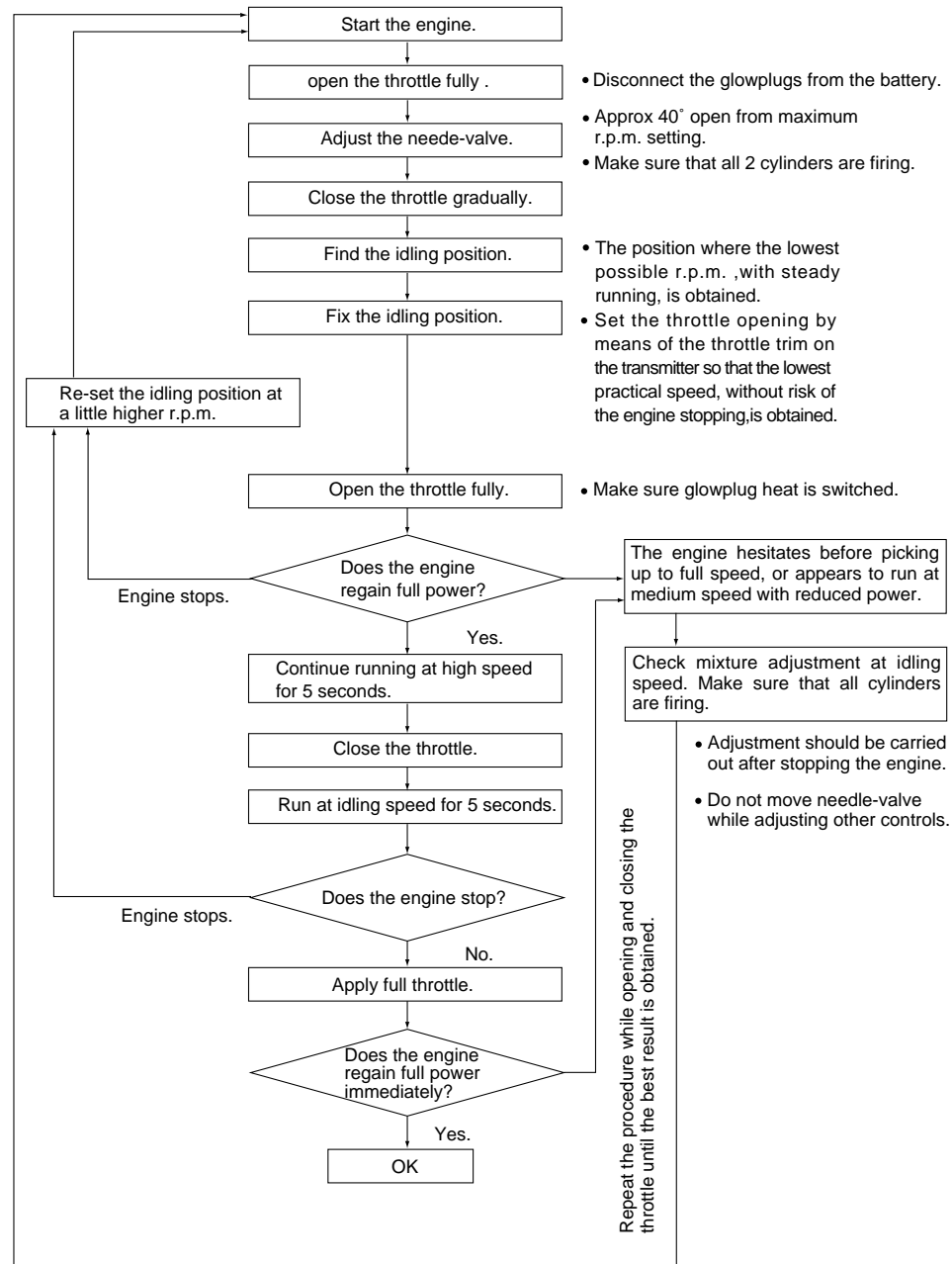
Needle-valve adjustment

Adjust the needle-valve following the instructions given in STARTING section.



Mixture control valve adjustment

After running is completed and the needle-valve is set at optimum position (approx 40° open from maximum r.p.m. position), check the idling running and adjust only when necessary.

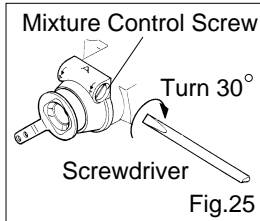


Attention: Do not leave the battery connected while adjusting the carburetor.

Adjusting the mixture control valve

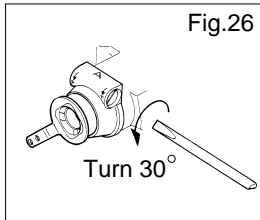
1. If the engine hesitates, puffing out a good deal of smoke, before picking up to full speed, it is probable that the idling mixture is too rich.

In this case, it will be necessary to turn the Mixture Control Screw in the reverse direction from the + mark (i.e. clockwise) to weaken the mixture. About 1/12 turn (30°) should be sufficient (Fig. 25).



2. Alternatively, if the engine stops or is slow to pick up speed, without smoking or a strong exhaust note, it is probable that the idling mixture is too lean.

In this case, it will be necessary to turn the Mixture Control Screw in the direction of the + mark (i.e. counter-clockwise) approximately 1/12 turn (30°) (Fig. 26).



3. Thirdly, if revolutions increase but the engine appears to run with reduced power, it is probable that one of the cylinders has ceased firing. You may detect this by the difference in exhaust note and revolutions compared with previous full-throttle running. The cutting out of the cylinder may be caused by the idling speed being set too low or the idling mixture being too rich.

In the case of the idling speed being too low, re-set the idling position a little higher by means of the throttle trim on the transmitter. In the case of the idling mixture being too rich, turn the Mixture Control Screw in the reverse direction

of the + mark about 1/12 turn (30°). Normal safe idling speeds are in the region of 2,000 r.p.m..

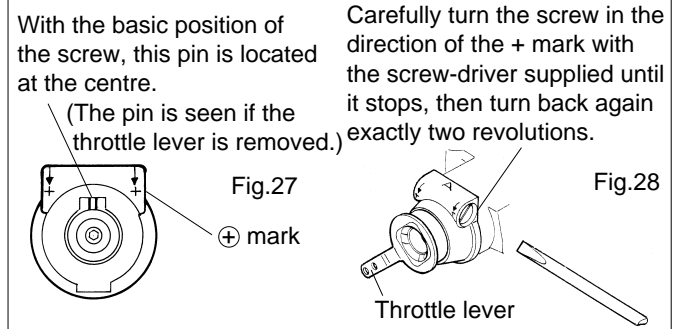
NOTE:

As this is two-cylinder four-stroke-cycle engine, firing strokes occur every half revolution (360°), that is, two firings take place every one complete revolution. Therefore, at first you may have an impression that the engine is idling at higher r.p.m. than actual running r.p.m. It is recommended to check the engine r.p.m. with a tachometer.

Changing the make of glowplug or fuel may sometimes require re-adjustment of carburetor throttle.

Realignment of mixture control screw

In the course of making carburetor adjustments, it is just possible that the Mixture Control Screw setting may be upset. Its basic setting can be re-established as follows:



NOTE:

If an on-board glowplug re-heat system is fitted, mixture adjustment at idling speed should be carried out with this in operation.

21

FLIGHT

Checking before flight

- Make sure that all two cylinders are firing.
- Make sure that engine runs steadily at idling speed.
- Make sure that engine is fully warmed up.
- It is necessary to warm up the engine as with a full-size aircraft or automobile. Do not attempt to take-off immediately after the engine has been started. Allow the engine to run at full throttle for at least 10 seconds before releasing the model.

CARE AND MAINTENANCE

To ensure that you obtain long life and peak performance from your engine, observe the following

1. Avoid running the engine under dusty conditions. If necessary, lay a sheet of plywood or hardboard in front and under the nose of the model when starting the engine.
2. Foreign matter in the fuel can cause the carburetor jet to be partially clogged.

Therefore:

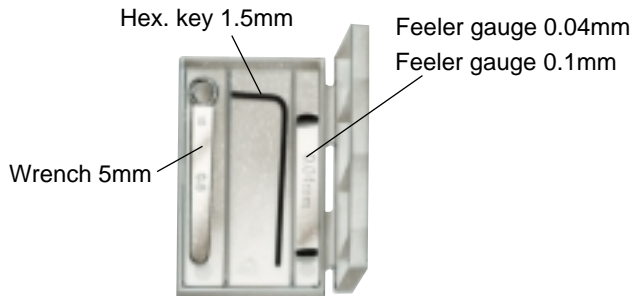
- rinse out the fuel tank with methanol or fuel before installing it
- fit a fuel filter in the fuel delivery tube between tank and carburetor
- fit a fuel filter to pump inlet of the manual or electric fuel pump
- do not leave your fuel container open needlessly
- check filters periodically and clean them when necessary

3. Do not close the needle-valve to too "lean" a setting. This will cause the engine to overheat and slow down and also will generate much nitromethane oxide due to extremely high temperature which will cause internal rusting of the engine. Always adjust the needle-valve very slightly to the "rich" side of the peak r.p.m. setting.
4. Clean the exterior of the engine with a clean cotton cloth. If this is not done, oil and dirt will burn onto the outside of the engine each time it is run and the engine will soon become blackened
5. If the engine is not in use for a while (more than two months) remove the glowplugs and rinse out the interior with kerosene (not gasoline), by rotating the crankshaft. Shake out residue, then inject corrosion-inhibiting oil (preferably) or light machine-oil through glowplug cavities and breather hole, again rotating the shaft to distribute the protective oil to all working parts.

VALVE CLEARANCE ADJUSTMENT

ALL O.S. four-stroke engines have their valve (tappet) clearances correctly set before they leave the factory. However, if, after many hours of running time have been logged, a loss of power is detected, or if the engine has to be disassembled or repaired as a result of an accident, valve clearances should be checked and readjusted, as necessary, with the aid of the O.S. Valve Adjusting Tool Kit.

The kit comes in a plastic case and includes:



Note:
Valve clearances of all O.S. four-stroke-cycle engines must be checked and reset **ONLY WHEN THE ENGINE IS COLD**. Procedure is as follows:

(I)

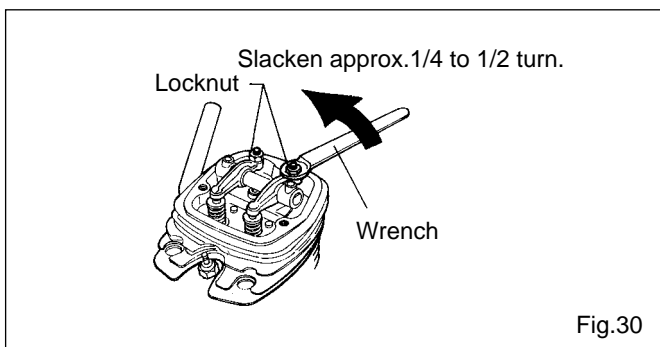
1. Remove the rocker cover from each cylinder head by unscrewing two socket-head cap-screws from the rocker box on top of the cylinder head with Allen key supplied.

Note:
If the gap is found to be less than 0.04mm, it is not necessary to readjust the clearance if the engine has good compression and starts easily. Equally, if the gap exceeds 0.1mm but is not more than 0.14mm (i.e. the thickness of both feeler gauges inserted together), it is not necessary to readjust the clearance if the engine runs satisfactorily.

(II)

If a clearance is found to be outside either of these limits, it should be reset as follows.

1. Carefully loosen the locknut on rocker-arm 1/4-1/2 turn with 5mm wrench. (Fig.30.)



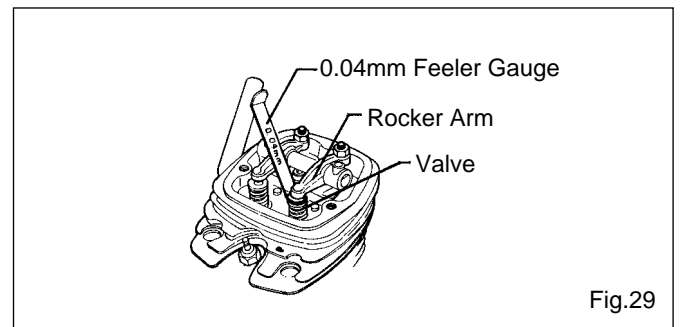
2. Remove all the glowplugs except the one fitted to the cylinder that you want to check.

Note:

Each glowplug should be re-fitted to the original cylinder. You may start to check and adjust with any cylinder.

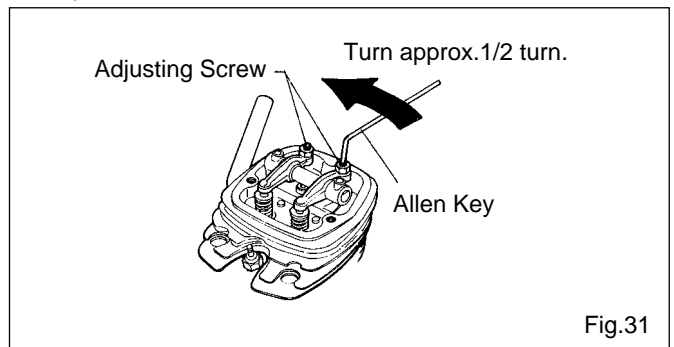
3. Turn the propeller counter-clockwise until compression is first felt, then turn it further quarter turn. At this point, both valves should be closed. (If the prop driver ('drive hub') of your engine is engraved with a letter 'T', this mark should now be at the top.)

4. The standard valve clearance, on both inlet and exhaust valves, is between 0.04mm and 0.1mm (0.0015-0.004 inch), measured between valve stem and rocker arm. Use the 0.04mm and 0.1mm feeler gauges to check clearances. (See Fig.29.)

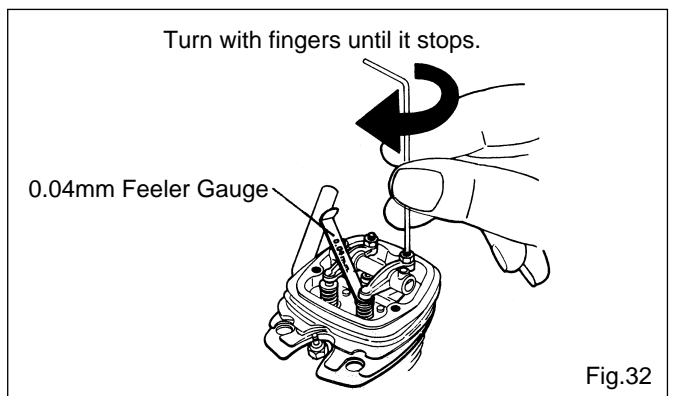


23

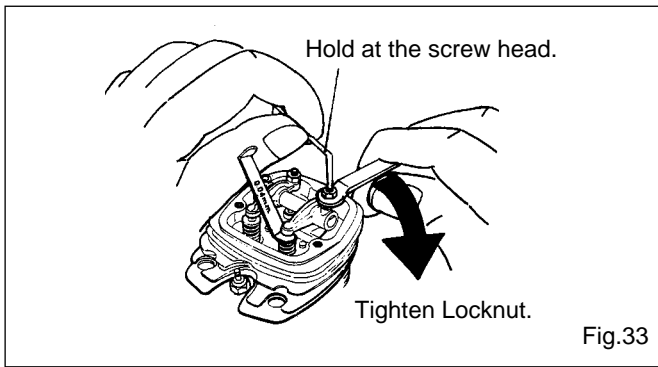
2. Turn adjusting-screw approx. 1/2 turn counter-clockwise to open gap, using appropriate tool -i.e. Allen hex key. (Fig.31.)



3. Insert 0.04mm feeler gauge between valve stem and rocker-arm and gently turn adjusting screw clockwise until it stops. (Fig.32.)



4. Re-tighten locknut while holding adjusting screw stationary.
(Fig.33.)

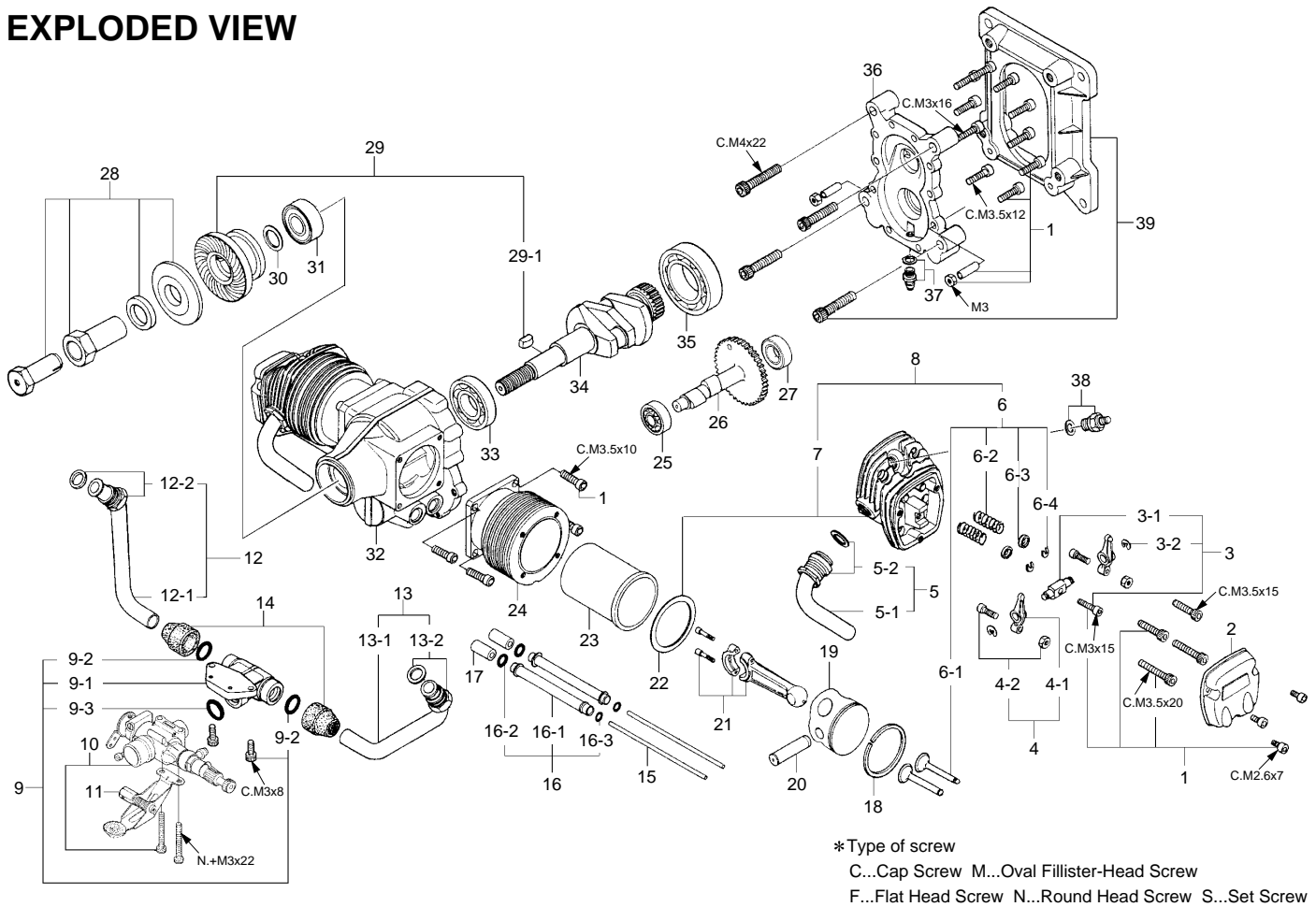


5. Remove 0.04mm feeler, rotate prop through two revolutions and recheck gap.
6. If clearance is correct, loosen the locknut on the other rocker-arm and repeat steps 1 to 5 above. Finally, replace rocker box cover.

Remember:

Excessive valve clearance will cause loss of power, due to valve (s) not opening sufficiently. On the other hand, a total loss of clearance may cause difficult starting due to valves not closing properly, resulting in loss of compression.

EXPLODED VIEW



26

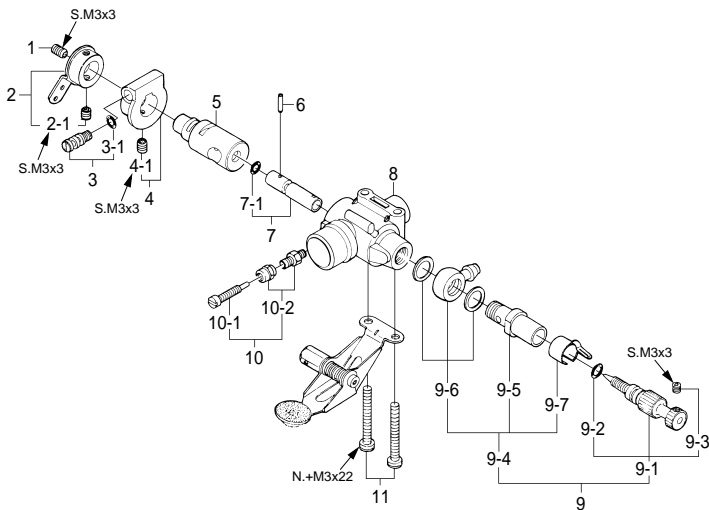
PARTS LIST

No.	Code No.	Description
1	46013002	Screw Set
2	46104200	Rocker Cover
3	45961400	Rocker Support Assembly
3-1	45961410	Rocker Support
3-2	45761600	Rocker Arm Retainer (2pcs.)
4	45361000	Rocker Arm Assembly (1pair)
4-1	45361100	Rocker Arm (1pc.)
4-2	45061202	Tappet Adjusting Screw
5	46169000	Exhaust Pipe Assembly
5-1	46169100	Exhaust Pipe
5-2	45169200	Exhaust Pipe Lock Nut
6	46160000	Valve Assembly (1pair)
6-1	46160100	Valve (1pc.)
6-2	45460200	Valve Spring (1pc.)
6-3	45060309	Spring Seat (1pc.)
6-4	46160400	Valve Spring Retainer (2pcs.)
7	46104110	Cylinder Head (W/Gasket)
8	46104020	Cylinder Head (W/Valve Assembly)
9	46168000	Intake Manifold Assembly
9-1	46168010	Intake Manifold
9-2	45115000	Intake Pipe "O" Ring (2pcs.)
9-3	46115000	Carburetor Rubber Gasket
10	46481000	Carburetor Complete
11	46184000	Choke Valve Assembly
12	46168100	Intake Pipe Assembly (right)
12-1	46168110	Intake Pipe (right)
12-2	45169200	Intake Pipe Lock Nut
13	46168200	Intake Pipe Assembly (left)
13-1	46168210	Intake Pipe (left)
13-2	45169200	Intake Pipe Lock Nut
14	46168500	Intake Boots (2pcs.)
15	46166000	Push Rod (2pcs.)

No.	Code No.	Description
16	45566100	Push Rod Cover Assembly (2pcs.)
16-1	45566110	Push Rod Cover (1pc.)
16-2	45566300	Push Rod Cover "O" Ring (L) (2pcs.)
16-3	24881824	Push Rod Cover "O" Ring (S) (2pcs.)
17	45564000	Cam Follower (2pcs.)
18	45403400	Piston Ring
19	45903200	Piston
20	45906000	Piston Pin
21	46105000	Connecting Rod Assembly
22	46114000	Head Gasket Set (2pcs.)
23	46103100	Cylinder Liner
24	46103300	Cylinder Jacket
25	46031005	Camshaft Bearing (front)
26	46162000	Camshaft
27	22631019	Camshaft Bearing (rear)
28	46110100	Propeller Locknut Set
29	46108000	Drive Hub
29-1	45508200	Woodruff Key
30	46120000	Thrust Washer
31	26731002	Crankshaft Bearing (front)
32	46101000	Crankcase
33	22130004	Crankshaft Bearing (intermediate)
34	46102000	Crankshaft
35	46030008	Crankshaft Bearing (rear)
36	46101800	Rear Housing
37	45471000	Breather Nipple (No.4)
38	71615009	Glow Plug Type F
39	71910000	Radial Motor Mount Set
	72200090	Booster Cable Set
	72200060	Valve Adjusting Kit

The specifications are subject to alteration for improvement without notice.

CARBURETOR EXPLODED VIEWS & PARTS LIST



Note: The choke valve assembly is not included in the carburetor complete.

*Type of screw

C...Cap Screw M...Oval Fillister-Head Screw
F...Flat Head Screw N...Round Head Screw S...Set Screw

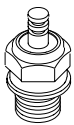
No.	Code No.	Description
1	26381501	Set-screw
2	24981405	Throttle Lever Assembly
2-1	26381501	Set-screw
3	46481320	Mixture Control Screw Assembly
3-1	22781800	"O" Ring (2pcs.)
4	46481330	Mixture Control Screw Holder Assembly
4-1	26381501	Set-screw
5	46481200	Carburetor Rotor
6	46281340	Mixture Control Valve Pin
7	46481310	Mixture Control Valve Assembly
7-1	22781800	"O" Ring (2pcs.)
8	46481100	Carburetor Body
9	46281900	Needle Valve Assembly
9-1	29081952	Needle Assembly
9-2	24981837	"O" Ring (2pcs.)
9-3	26381501	Set-screw
9-4	46181940	Needle Valve Holder Assembly
9-5	46181941	Needle Valve Holder
9-6	46181950	Fuel Inlet
9-7	26711305	Ratchet Spring
10	26781619	Throttle Stop Screw Assembly
10-1	26681305	Throttle Stop Screw
10-2	26681803	Throttle Stop Screw Holder
11	45581700	Carburetor Retaining Screw

The specifications are subject to alteration for improvement without notice.

O.S. GENUINE PARTS & ACCESSORIES

■ RADIAL MOTOR MOUNT

(71910000)



■ 5/16"-M5 (L) PROPELLER LOCKNUT SET FOR SPINNER

(46110200)



■ O.S. GLOW PLUG TYPE F

(71615009)

■ BOOSTER TERMINAL KIT

(72200130)



■ BOOSTER CABLE SET

(72200090)



■ VALVE ADJUSTING TOOL KIT

(72200060)



■ SUPER FILTER (L)

(72403050)



■ BLIND NUT (10pcs.)

M5

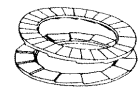
(79870050)



■ LOCK WASHER (10sets)

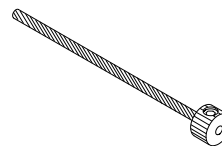
M5

(55500004)



■ NEEDLE VALVE EXTENSION CABLE SET

(72200080)



■ NON-BUBBLE WEIGHT

(71531000)



■ CAP SCREW SET (10pcs.)

M2.6x7 (79871020)

M3.5x10 (79871070)

M3.5x12 (79871080)

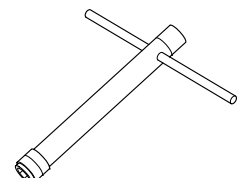
M3.5x15 (79871090)

M3.5x20 (79871100)



■ LONG SOCKET WRENCH WITH PLUG GRIP

(71521000)

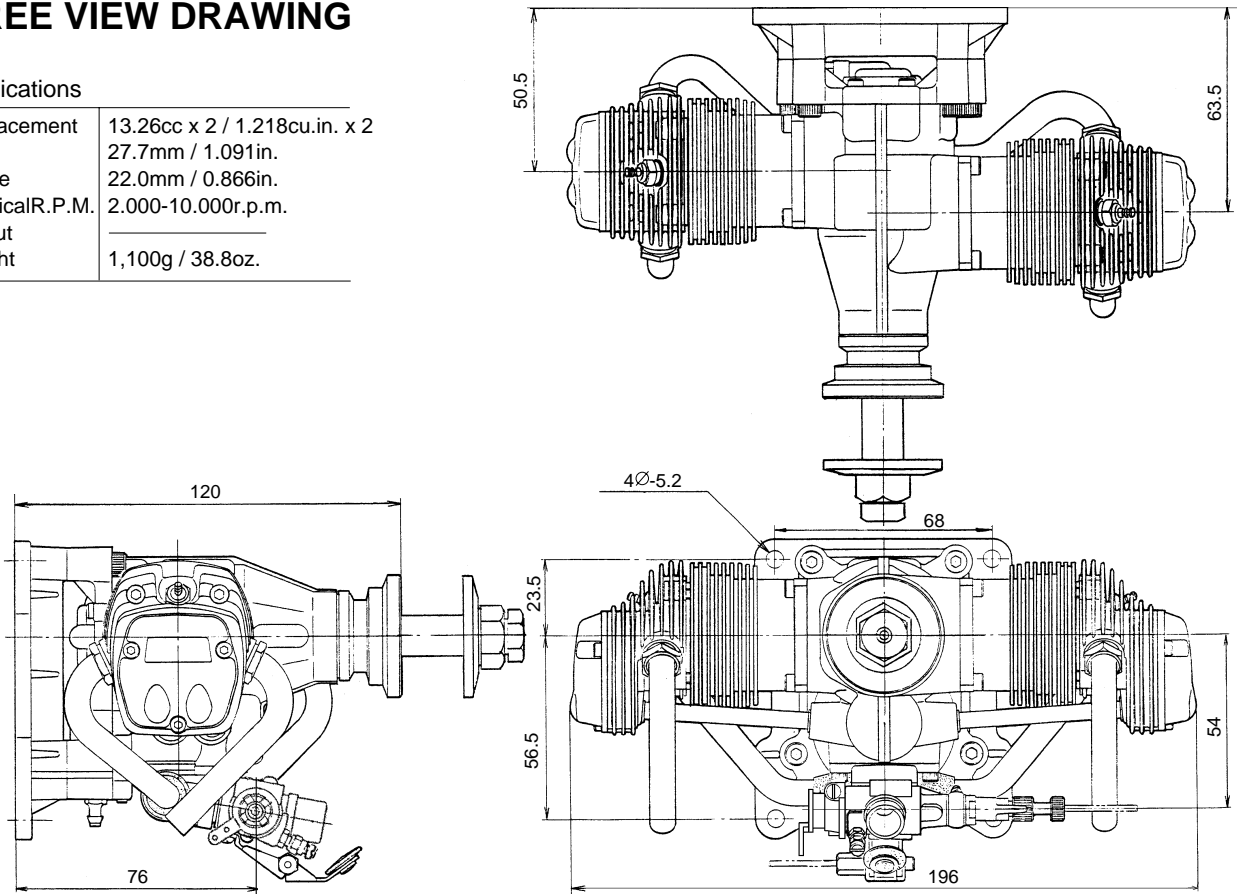


The specifications are subject to alteration for improvement without notice.

THREE VIEW DRAWING

Specifications

■ Displacement	13.26cc x 2 / 1.218cu.in. x 2
■ Bore	27.7mm / 1.091in.
■ Stroke	22.0mm / 0.866in.
■ Practical R.P.M.	2.000-10.000r.p.m.
■ Output	
■ Weight	1,100g / 38.8oz.



Dimensions(mm)

30



O.S. ENGINES MFG. CO., LTD.

6-15 3-Chome Imagawa Higashisumiyoshi-ku
Osaka 546-0003, Japan TEL. (06) 6702-0225

FAX. (06) 6704-2722

URL : <http://www.os-engines.co.jp>

Free Manuals Download Website

<http://myh66.com>

<http://usermanuals.us>

<http://www.somanuals.com>

<http://www.4manuals.cc>

<http://www.manual-lib.com>

<http://www.404manual.com>

<http://www.luxmanual.com>

<http://aubethermostatmanual.com>

Golf course search by state

<http://golfingnear.com>

Email search by domain

<http://emailbydomain.com>

Auto manuals search

<http://auto.somanuals.com>

TV manuals search

<http://tv.somanuals.com>