



**gemini**



**OPERATIONS MANUAL  
BEDIENUNGSHANDBUCH  
MANUAL DEL OPERADOR  
MANUEL D'INSTRUCTIONS**

# CDX-402

**PROFESSIONAL DUAL CD-PLAYER  
PROFESSIONELLER DOPPEL CD-SPIELER  
LECTOR DE CD DUAL PROFESIONAL  
LECTEUR DE CD DUEL PROFESSIONNEL**



**MULTI-LANGUAGE INSTRUCTIONS:**

ENGLISH.....	PAGE 2
DEUTSCH.....	PAGE 6
ESPAÑOL.....	PAGE 8
FRANCAIS.....	PAGE 10



# PLEASE READ BEFORE USING APPLIANCE, IMPORTANT WARNING & SAFETY INSTRUCTIONS!



**CAUTION**  
RISK OF ELECTRICAL SHOCK  
DO NOT OPEN!



**CAUTION:** THIS PRODUCT SATISFIES FCC REGULATIONS WHEN SHIELDED CABLES AND CONNECTORS ARE USED TO CONNECT THE UNIT TO OTHER EQUIPMENT. TO PREVENT ELECTROMAGNETIC INTERFERENCE WITH ELECTRIC APPLIANCES SUCH AS RADIOS AND TELEVISIONS, USE SHIELDED CABLES AND CONNECTORS FOR CONNECTIONS.

THE EXCLAMATION POINT WITHIN AN EQUILATERAL TRIANGLE IS INTENDED TO ALERT THE USER TO THE PRESENCE OF IMPORTANT OPERATING AND MAINTENANCE (SERVICING) INSTRUCTIONS IN THE LITERATURE ACCOMPANYING THE APPLIANCE.

THE LIGHTNING FLASH WITH ARROWHEAD SYMBOL, WITHIN AN EQUILATERAL TRIANGLE, IS INTENDED TO ALERT THE USER TO THE PRESENCE OF UNINSULATED "DANGEROUS VOLTAGE" WITHIN THE PRODUCT'S ENCLOSURE THAT MAY BE OF SUFFICIENT MAGNITUDE TO CONSTITUTE A RISK OF ELECTRIC SHOCK TO PERSONS.

**READ INSTRUCTIONS:** All the safety and operating instructions should be read before the product is operated.

**RETAIN INSTRUCTIONS:** The safety and operating instructions should be retained for future reference.

**HEED WARNINGS:** All warnings on the product and in the operating instructions should be adhered to.

**FOLLOW INSTRUCTIONS:** All operating and use instructions should be followed.

**CLEANING:** The product should be cleaned only with a polishing cloth or a soft dry cloth. Never clean with furniture wax, benzene, insecticides or other volatile liquids since they may corrode the cabinet.

**ATTACHMENTS:** Do not use attachments not recommended by the product manufacturer as they may cause hazards.

**WATER AND MOISTURE:** Do not use this product near water, for example, near a bathtub, wash bowl, kitchen sink, or laundry tub; in a wet basement; or near a swimming pool; and the like.

**ACCESSORIES:** Do not place this product on an unstable cart, stand, tripod, bracket, or table. The product may fall, causing serious injury to a child or adult, and serious damage to the product. Use only with a cart, stand, tripod, bracket, or table recommended by the manufacturer, or sold with the product. Any mounting of the product should follow the manufacturer's instructions, and should use a mounting accessory recommended by the manufacturer.

**CART:** A product and cart combination should be moved with care. Quick stops, excessive force, and uneven surfaces may cause the product and cart combination to overturn. **See Figure A.**

**VENTILATION:** Slots and openings in the cabinet are provided for ventilation and to ensure reliable operation of the product and to protect it from overheating, and these openings must not be blocked or covered. The openings should never be blocked by placing the product on a bed, sofa, rug, or other similar surface. This product should not be placed in a built-in installation such as a bookcase or rack unless proper ventilation is provided or the manufacturer's instructions have been adhered to.

**POWER SOURCES:** This product should be operated only from the type of power source indicated on the marking label. If you are not sure of the type of power supply to your home, consult your product dealer or local power company.

**LOCATION:** The appliance should be installed in a stable location.

**NON-USE PERIODS:** The power cord of the appliance should be unplugged from the outlet when left unused for a long period of time.

## GROUNDING OR POLARIZATION:

- If this product is equipped with a polarized alternating current line plug (a plug having one blade wider than the other), it will fit into the outlet only one way. This is a safety feature. If you are unable to insert the plug fully into the outlet, try reversing the plug. If the plug should still fail to fit, contact your electrician to replace your obsolete outlet. Do not defeat the safety purpose of the polarized plug.
- If this product is equipped with a three-wire grounding type plug, a plug having a third (grounding) pin, it will only fit into a grounding type power outlet. This is a safety feature. If you are unable to insert the plug into the outlet, contact your electrician to replace your obsolete outlet. Do not defeat the safety purpose of the grounding type plug.

**POWER-CORD PROTECTION:** Power-supply cords should be routed so that they are not likely to be walked on or pinched by items placed upon or against them, paying particular attention to cords at plugs, convenience receptacles, and the point where they exit from the product.

**OUTDOOR ANTENNA GROUNDING:** If an outside antenna or cable system is connected to the product, be sure the antenna or cable system is grounded so as to provide some protection against voltage surges and built-up static charges. Article 810 of the National Electrical Code, ANSI/NFPA 70, provides information with regard to proper grounding of the mast and supporting structure, grounding of the lead-in wire to an antenna discharge unit, size of grounding conductors, location of antenna-discharge unit, connection to grounding electrodes, and requirements for the grounding electrode. **See Figure B.**

**LIGHTNING:** For added protection for this product during a lightning storm, or when it is left unattended and unused for long periods of time, unplug it from the wall outlet and disconnect the antenna or cable system. This will prevent damage to the product due to lightning and power-line surges.

**POWER LINES:** An outside antenna system should not be located in the vicinity of overhead power lines or other electric light or power circuits, or where it can fall into such power lines or circuits. When installing an outside antenna system, extreme care should be taken to keep from touching such power lines or circuits as contact with them might be fatal.

**OVERLOADING:** Do not overload wall outlets, extension cords, or integral convenience receptacles as this can result in a risk of fire or electric shock.

**OBJECT AND LIQUID ENTRY:** Never push objects of any kind into this product through openings as they may touch dangerous voltage points or short-out parts that could result in a fire or electric shock. Never spill liquid of any kind on the product.

**SERVICING:** Do not attempt to service this product yourself as opening or removing covers may expose you to dangerous voltage or other hazards. Refer all servicing to qualified service personnel.

**DAMAGE REQUIRING SERVICE:** Unplug this product from the wall outlet and refer servicing to qualified service personnel under the following conditions:

- When the power-supply cord or plug is damaged.
- If liquid has been spilled, or objects have fallen into the product.
- If the product has been exposed to rain or water.
- If the product does not operate normally by following the operating instructions. Adjust only those controls that are covered by the operating instructions as an improper adjustment of other controls may result in damage and will often require extensive work by a qualified technician to restore the product to its normal operation.
- If the product has been dropped or damaged in any way.
- When the product exhibits a distinct change in performance, this indicates a need for service.

**REPLACEMENT PARTS:** When replacement parts are required, be sure the service technician has used replacement parts specified by the manufacturer or have the same characteristics as the original part. Unauthorized substitutions may result in fire, electric shock, or other hazards.

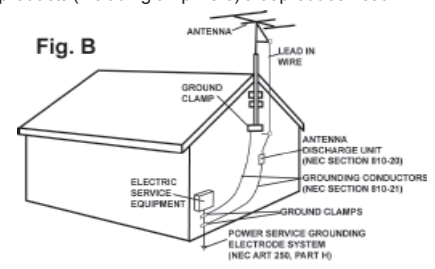
**SAFETY CHECK:** Upon completion of any service or repairs to this product, ask the service technician to perform safety checks to determine that the product is in proper operating condition.

**WALL OR CEILING MOUNTING:** The product should not be mounted to a wall or ceiling.

**HEAT:** The product should be situated away from heat sources such as radiators, heat registers, stoves, or other products (including amplifiers) that produce heat.

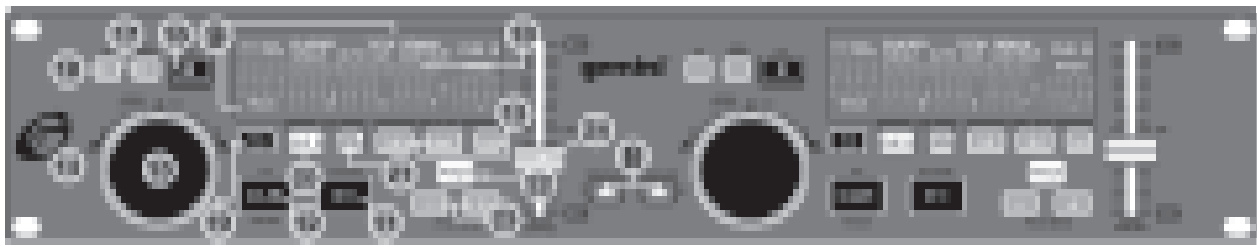


Fig. A

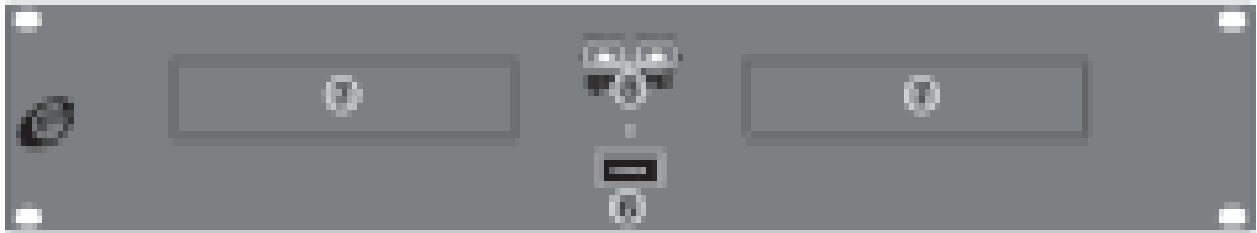


NEC — NATIONAL ELECTRICAL CODE

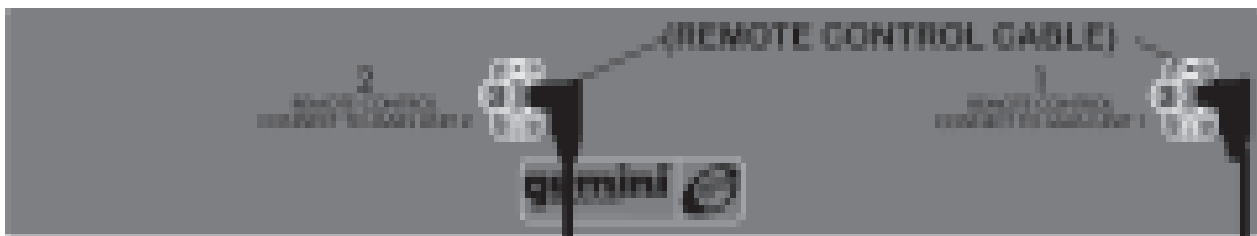
# CDX-402



REMOTE CONTROL FACE



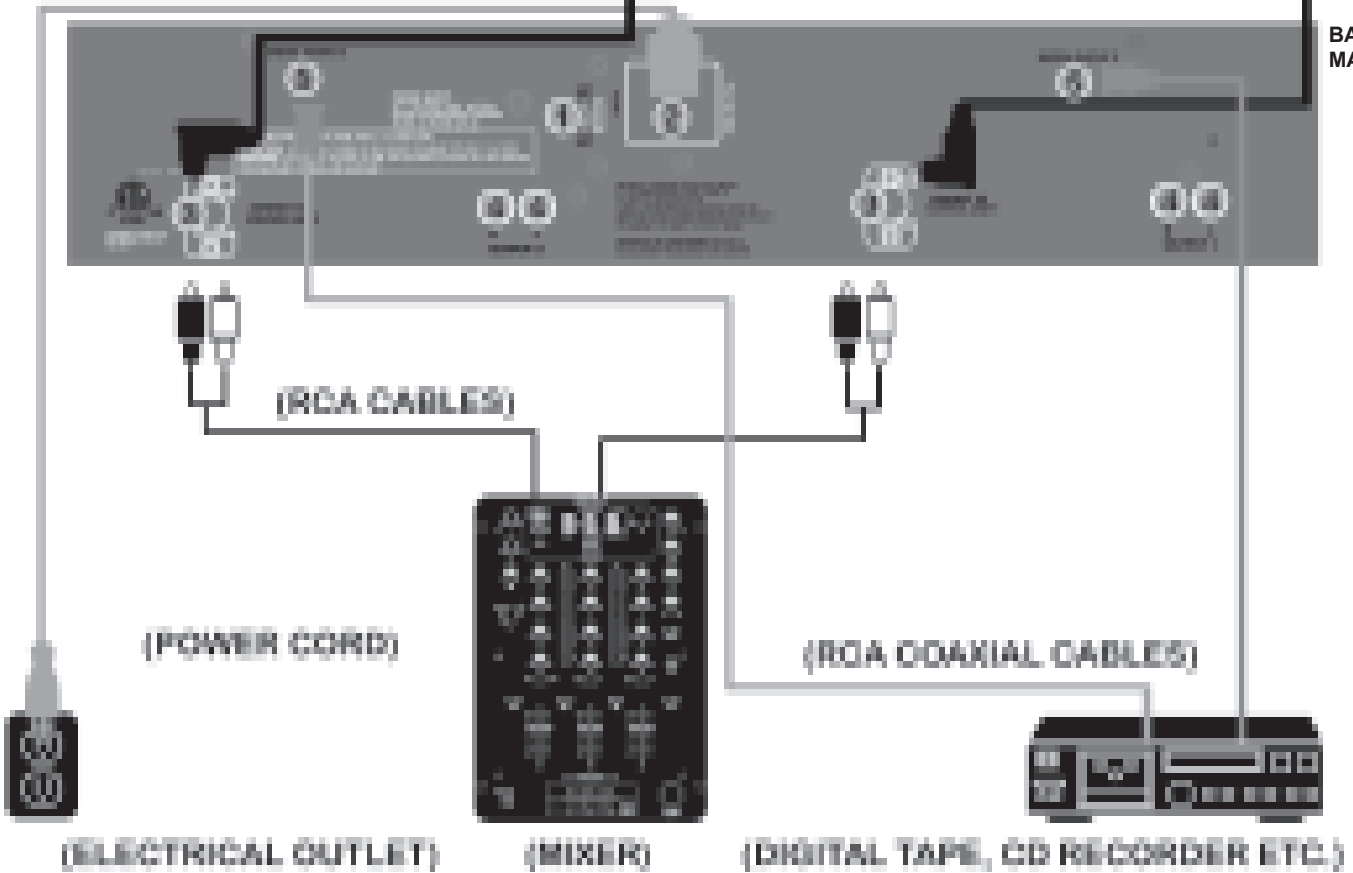
MAIN UNIT FRONT



BACK OF REMOTE



BACK OF MAIN UNIT



## INTRODUCTION:

Congratulations on purchasing the **GEMINI CDX-402** Dual CD Player. This state of the art professional CD player is backed by a three year warranty, excluding lasers. One year warranty on CD lasers. Prior to use, we suggest that you carefully read all the instructions.

## FEATURES:

- Large LCD screen with backlight
- Mechanical anti-skip protection
- Multi speed jog search wheel
- +10 Track selector
- Fly cue
- +/- 12% Pitch with Pitch bend
- Single auto-cue / continuous play
- Looping
- Digital output (BNC-SPDIF)

## SAFETY CERTIFICATIONS

Laser Diode Properties

Material: Ga - Al - As

Wavelength: 755 - 815 nm (25° C)

Laser Output: Continuous Wave, max. 0.5mW

## CAUTIONS:

Do not use this CD Player at temperatures below 41°F/5°C or higher than 95°F/35°C. The apparatus should not be exposed to dripping or splashing and no objects filled with liquids such as vases should be placed on the apparatus. Place the unit in a clean and dry location. Do not place the unit in an unstable location. When disconnecting the power cord from an AC outlet, always grasp it by the plug. Never pull the power cord. To prevent electric shock, do not remove the cover or the bottom screws. There are no user serviceable parts inside. Please refer servicing to a qualified technician. Do not use chemical solvents to clean the unit. Keep the laser pickup clean by keeping the drawer closed. Keep this manual in a safe place for future reference.

## IMPORTANT NOTE:

Since the **CDX-402** is a dual CD player, most of the functions and controls are duplicated on both sides of the CD player. To eliminate confusion and to make the drawings easier to understand, we will only number the left side functions and controls.

## LINE VOLTAGE SELECTION:

Model **CDX-402** is a dual voltage unit. It will operate at **115** or **230** volts. To set the proper voltage, follow these steps:

1. Place the head of a screwdriver in the center of the **VOLTAGE SELECTOR SWITCH (1)** found on the rear panel.
2. Slide the switch to **115** or **230** volts.
3. Do not force or twist the switch. Excessive force may cause damage. If the switch does not move smoothly, contact a qualified technician.

## CONNECTIONS:

1. Connect the power plug into the **AC IN (2)** for **POWER**.
2. Using the included cables, plug one end into the **REMOTE CONTROL (3)** connector on side 2 and the other end into the **MAIN UNIT (3)** connector also on side 2. Do the same for side 1.
3. Plug one end of a set of the included **RCA** cable connectors into each of the **LINE OUTPUT JACKS (4)**.
4. Plug the other end of the **RCA** connectors into any available line level input jacks on your mixer. If you are connecting the **CDX-402** through a receiver, you can plug the **RCA** connectors into the **CD** or **AUX INPUT JACKS** on your receiver. If there are no **CD** or **AUX INPUTS**, use any line level (not phono) inputs.
5. Connect any type of device that will accept a **DIGITAL** signal, such as **DAT, MD, HARD DRIVE, ETC** to the **BNC (5) OUTPUTS** on the rear panel of the transport to record a **DIGITAL** signal.

## FUNCTION DESCRIPTIONS:

**POWER:** After making sure that the **VOLTAGE SELECTOR (1)** switch, found on the rear panel, is properly set, plug the unit in and press the **POWER (6)** button. The unit will turn on. Pushing the **POWER** button **(6)** a second time will turn the unit off.

**DISC TRAY:** The **DISC TRAY (7)** is where the CD is held during loading, unloading and playback. Pressing the **OPEN/CLOSE (8)** button, will open or close the tray. The **DISC TRAY (7)** holds both **12 cm** and **8 cm** CDs. Please note, if the **CDX-402** is in play mode, the tray will not open.

**NOTE: DO NOT FORCE THE DISC TRAY TO CLOSE, EXCESSIVE FORCE WILL DAMAGE THE CD-MECHANISM, USE THE OPEN/CLOSE (8) BUTTONS ONLY.**

**OPEN/CLOSE BUTTON:** Press **OPEN/CLOSE (8)** to load or remove a CD from the **DISC TRAY**.

**DISPLAY:** The **DISPLAY (9)** shows the track number, pitch value, single-auto cue, continue (for continuous play), and **3** different time displays. These time displays are time elapsed on the track, time remaining on the disc and time remaining on the track. Time is measured in minutes, seconds and frames.

**PLAYBACK DISPLAY BAR:** The **PLAYBACK DISPLAY BAR (10)** displays the elapsed and remaining time for each track. The display flashes slowly when the track has **15** seconds remaining and pulses rapidly when playing time is down to **5** seconds.

**PLAY/PAUSE ►||:** Each press of the **PLAY/PAUSE BUTTON (11)** causes the operation to change from play to pause or from pause back to play.

**CUE:** With the unit in the Play mode (**PLAY/PAUSE** LED is green) and after the cue point has been programmed, pressing **CUE (12)** will cause the CD player to enter the **PAUSE** mode (green **PLAY/PAUSE** LED blinks) at the programmed cue point (the **CUE** LED glows yellow). Holding down the cue button changes the function to **PREVIEW** and starts the CD from the programmed cue point. Releasing the **CUE** button will return the CD laser to the preset cue point.

**TRACK SKIP ◀▶|+10:** The **TRACK SKIP (13)** buttons let you select the track to play.

**SEARCH JOG WHEEL:** Use the **SEARCH JOG WHEEL (14)** to select the scanning direction and speed of your CD. Turning the wheel in a clockwise direction scans forward while a counter-clockwise turn scans the track in reverse. Scan speed increases as the wheel is turned.

**SEARCH DIAL:** The **SEARCH DIAL (15)** has two functions. Use the **SEARCH DIAL (15)** to make fine adjustments in pause mode. Use the **SEARCH DIAL (15)** to bend the pitch for precise synchronization in **PLAY** mode.

**STOP ■:** The **STOP (16)** button ends CD play.

**SINGLE:** Pressing the **SINGLE (17)** activates the **AUTO CUE FUNCTION**. The **AUTO CUE FUNCTION** causes the unit to pause at the beginning of music of the following track and allows you to start play immediately from the start of music without any blank space (which exists at the beginning of every track). Pressing the **SINGLE (17)** button a second time activates the **CONTINUOUS** function causing the unit to play continuously (after the last track, the unit will return to the first track of the disc and continue to play). Pressing the **SINGLE (17)** button a third time deactivates the **CONTINUOUS** function.

**TIME:** The **TIME BUTTON (18)** switches the time display between the three available choices listed under **DISPLAY (9)**.

**FLY CUE:** The **FLY CUE (19)** function lets you set cues "on the fly" with the press of a button. Press **FLY CUE (19)** when the disc reaches the musical location you wish to make your cue or start point. The **CUE POINT** is now programmed. Press **CUE/PREVIEW (12)** to return to the **CUE POINT**. Press **PLAY/PAUSE (11)** and the unit start from the pre-programmed spot.

**CUE-B:** After a cue point is programmed, pressing **CUE-B (20)** while in the **PLAY** mode repeats the section between the cue point and the point where the **CUE-B (20)** button was pressed. Press **EXIT/RETURN** or **PAUSE/PLAY** to **EXIT** loop repeat.

**EXIT/RETURN:** Press loop **EXIT/RETURN (21)** to return to the beginning of the previously saved loop from normal play.

**PITCH:** Pushing the **PITCH BUTTON (22)** activates the **PITCH CONTROL SLIDE (35)**. The pitch of the CD will change according to the position of the **PITCH CONTROL SLIDE (23)**.

**PITCH BEND BUTTONS:** Pushing the **PITCH BEND BUTTONS (23)** will automatically raise the pitch up to **+4%** or lower the pitch down to **-4%** from the existing pitch setting. Releasing the buttons will return the pitch to the original pitch setting. You can use this function to match the pitch bend when mixing from one song to another.

**PITCH CONTROL SLIDE:** Moving the **PITCH CONTROL SLIDE (24)** up or down will lower or raise the pitch percentage.

## OPERATIONS:

1. Press the **OPEN/CLOSE (8)** button, place a CD in the **DISC TRAY (7)** and press the **OPEN/CLOSE (8)** button again. The tray will close into the unit.
2. Push the **TRACK (13)** buttons to select the track you want to play.
3. Press the **PLAY/PAUSE (11)** buttons and the unit will instantly play.

## CUES:

### FLY CUE:

The **FLY CUE** function lets you set cues "on the fly" with the press of a button. Press **FLY CUE** when the disc reaches the musical location you wish to make your cue or start point. The cue point is now programmed. Press **CUE** to return to the cue point. Press **PLAY/PAUSE** and the unit instantly starts from this pre-programmed spot.

### PLAY CUE:

1. To pre-program a cue point (the spot on a CD at which you want play to start) select the proper track and push **PLAY/PAUSE** so the unit enters the **PLAY** mode. (**PLAY/PAUSE** LED glows green).

When the CD reaches the approximate musical spot you wish to make your cue, push **PLAY/PAUSE** so the unit enters the **PAUSE** mode (**PLAY/PAUSE** LED blinks). Move the **SEARCH DIAL** forward or in reverse until the precise spot at which you want CD play to begin is located. Push **PLAY/PAUSE**. The cue point is now programmed. Press **CUE** to return to this pre-programmed cue point at any time. Push **PLAY/PAUSE** and the unit will instantly play from the pre-selected spot.

2. To fine tune your pre-programmed cue point, push **PLAY/PAUSE** so the unit enters the **PLAY** mode. Push the **CUE** button and the CD will return to the cue point you programmed in step #1 and begin play from that point. If you decide this cue or starting point is okay, leave the unit alone until you are ready to play.
3. If, however, the selected spot is not exactly where you want it, push the **CUE** button while the CD is playing and the disc will return to the pre-programmed cue point. Locate the exact spot on the CD at which you want play to start by turning the **SEARCH DIAL**. Push **PLAY/PAUSE** to pre-program this new cue point. Press the **CUE** button to pause play at the new cue point. Push **PLAY/PAUSE** at any time and the unit will play from the pre-selected spot.

**NOTE: DURING FINE TUNING THERE WILL BE A STUTTER EFFECT (TO HELP YOU FIND THE BEAT). THE STUTTERING EFFECT WILL END WHEN YOU PRESS THE PLAY/PAUSE (11) TO SAVE THE CUE POINT.**

## TROUBLESHOOTING:

- If the disk will not play, check to see if the disc was loaded correctly (label side up). Also check the disc for excessive dirt, scratches, etc.
- If the disc turns but there is no sound, check the cable connections. If they are okay, check your amplifier or receiver.
- If the CD skips, check the CD for dirt or scratches. Do not assume that the CD player is defective. Many CDs are recorded out of spec and will skip on most or all CD players. Before sending the unit in for repair, try playing a CD that you are sure plays properly.

IN THE USA: IF YOU EXPERIENCE PROBLEMS WITH THIS UNIT, PLEASE CALL 1 (732) 738-9003 FOR GEMINI CUSTOMER SERVICE. DO NOT ATTEMPT TO RETURN THIS EQUIPMENT TO YOUR DEALER.

## SPECIFICATIONS:

### GENERAL:

Type.....	Compact Disc Player
Disc Type.....	Standard Compact discs (12 cm & 8 cm)
Time Display.....	Track Elapsed, Track Remain, or Total remain
Variable Pitch.....	± 12% Slider with Resume Switch
Pitch Bend.....	± 16% Maximum
Instant Start.....	Within 0.03 seconds
Track Selection.....	1 to 99 Tracks
Installation.....	19" each
Dimensions.....	19" x 3.5" x 10"
Weight Per Unit.....	9.5 lbs.

### AUDIO SECTION:

Quantization.....	1 Bit Linear/Channel, 3 Beam Laser
Oversampling Rate.....	8 Times
Sampling Frequency.....	44.1 kHz
Frequency Response.....	20 Hz to 20 kHz
Digital Output.....	IEC958
Total Harmonic Distortion.....	Less Than 0.05%
Signal to Noise Ratio.....	104 dB
Dynamic Range.....	98 dB
Channel Separation.....	90 dB (1 KHz)
Output Level.....	1.9 Volts R.M.S.
Power Supply.....	AC 115/230V, 60/50 Hz

**SPECIFICATIONS AND DESIGN ARE SUBJECT TO CHANGE WITHOUT NOTICE FOR PURPOSE OF IMPROVEMENT.**



## EINFÜHRUNG:

Danke für den Kauf eines **CDX-402** Doppel-CD-Spieler von **GEMINI**. Dieser hochmoderne CD-Player hat eine dreijährige Herstellergarantie, ausschließlich Lasers-Pick-ups. Die Laser haben eine einjährige Herstellergarantie. Lesen Sie diese Bedienungsanleitung vor der Inbetriebnahme des Geräts sorgfältig durch.

## EIGENSCHAFTEN:

- Großer LCD Schirm mit Hintergrundbeleuchtung
- Jog-/ Search-Wheel mit Doppelfunktion
- +/- 12% Pitch mit Pitchbend
- Mechanischer Antischock
- Single Autot-Cue / Continuous play
- +10 Trackanwahl
- Loop
- Digitalausgang (BNC-SPDIF)
- Fly-Cue

## SICHERHEITSBESCHEINIGUNG:

Eigenschaften der Laserdiode  
Material: Ga - Al - As  
Wellenlänge: 755-815 nm (25° C)  
Laserabgabe: kontinuierliche Welle, max. 0.5 mW

## HINWEISE ZUR SICHERHEIT:

Diesen CD-Player nicht bei Temperaturen unter 5° C oder über 35° C benutzen. Das Gerät sollte keinem Spritzwasser oder starker Feuchtigkeit ausgesetzt werden, und mit Wasser gefüllte Gegenstände wie Vasen sollten nicht darauf gestellt werden. Das Gerät an einem sauberen und trockenen Ort aufstellen. Das Gerät auf einer stabilen Unterlage aufstellen. Beim Herausziehen des Anschlusskabels aus der Steckdose, das Kabel immer am Stecker ergreifen. Niemals am Kabel selbst ziehen. Um die Gefahr eines elektrischen Schlages auszuschließen, nicht den Deckel oder die unteren Schrauben entfernen. Dieses Gerät enthält keine austauschbaren Teile. Wenden Sie sich im Falle einer Reparatur an qualifizierte Fachleute. Keine chemischen Lösungsmittel/Kontaktspray o.ä.) zum Reinigen des Geräts benutzen. Um Staubverschmutzung zu vermeiden, Cd-Laden nicht unnötig offen lassen. Das Handbuch zum Nachschlagen aufbewahren.

## WICHTIGER HINWEIS:

Da der **CDX-402** ein Doppel-CD-Player ist, befinden sich die meisten Funktionen und Regler an beiden Seiten des Gerätes. Um Unklarheiten zu vermeiden und um die Zeichnungen leichter begreifen zu können, sind nur die Funktionen und Regler auf der linken Seite numeriert.

## AUSWAHL DER NETZSPANNUNG:

Model **CDX-402** ist ein Gerät mit Doppelspannung. Es arbeitet bei **115** oder **230 V**. Um die vorschrittsmäßige Spannung einzustellen, sind folgende Schritte zu befolgen:

1. Vor dem **Betätigen** des **Wahlschalters** Netzleitung aus der Steckdose ziehen!
2. Die Spitze des Schraubenziehers in die Mitte des **VOLTAGE SELECTOR (1)** Schalters setzen, der sich an der Rückwand des Gehäuses befindet.
3. Den Schalter danach auf **115 V** oder **230 V** schalten.
4. Den Schalter nicht mit großer Kraft bewegen oder drehen. Wenn man übermäßige Gewalt anwendet, kann dies den Schalter beschädigen. Wenn der Schalter sich nicht leicht schieben lässt, wenden Sie sich an einen qualifizierten Fachmann.

## ANSCHLUSSVERBINDUNGEN:

1. Verbinden Sie die **AC IN-NETZBUCHSE (2)** mit dem Netzkabel und der Steckdose.
2. Benutzen Sie die beigegefügte Kabel und stecken ein Ende in den **REMOTE CONTROL (3)** Stecker an Seite 2 und das andere Ende in den **MAIN UNIT (3)** Stecker ebenfalls an Seite 2. Den gleichen Vorgang bei Seite 1 durchführen.
3. Das eine Ende eines Cinchkabels an jeder der **LINE OUTPUT (4)** Buchsen anschließen.
4. Das andere Ende der Cinchkabel (versorgt) an einer freien Line-Eingangsbuchse des Mischpultes anschließen. Wenn Sie den **CDX-402** an einen Receiver / Verstärker anschließen, können Sie die **RCA**-Stecker an den CD- bzw. **AUX-Eingangsbuchsen** des Gerätes anschließen. Wenn keine **CD**- bzw. **AUX-Eingänge** zur Verfügung stehen, können Sie einen beliebigen Line-Eingang (kein Phono) benutzen.
5. Schließen Sie den Digitaleingang eines entsprechenden Gerätes wie z.B. **DAT, MD, PC-Soundkarte, USW.** an den **BNC (5) AUSGANG** auf der Rückseite des Gehäuses an, um ein digitales Signal aufzunehmen.

## FUNKTIONSBESCHREIBUNGEN:

**POWER (NETZ):** Nachdem sichergestellt wurde, daß der Schieberschalter **VOLTAGE SELECTOR (1)** auf der Rückseite richtig eingestellt ist, das Gerät anschließen und den Netzschalter **POWER (6)** einschalten. Wenn der Schalter **POWER (6)** ein zweites Mal gedrückt wird, wird es wieder ausgeschaltet.

**DISC TRAY (CD-SCHUBLADE):** Während dem Laden, Entladen und Playback wird die CD im **CD-SCHUBLADE (7)** gehalten. Wenn Sie die **OPEN/CLOSE (8)**-Taste drücken, wird sich das Plattenschubfach öffnen oder schließen. Das **CD-SCHUBLADE (7)** kann CDs von **12 cm** und **8 cm** aufnehmen. Bitte beachten Sie, dass sich das Plattenschubfach nicht öffnet, wenn sich der **CDX-402** im Spielmodus befindet.

**ANMERKUNG: ZUM ÖFFNEN UND SCHLIEßEN DER CD-SCHUBLADE IMMER DIE OPEN / CLOSE-TASTEN VERWENDEN. KEINE GEWALT ANWENDEN.**

**OPEN/CLOSE (ÖFFNEN/SCHLIEßEN):** Die Taste **OPEN/CLOSE (8)** drücken, um eine CD in das CD-Fach einzulegen bzw. aus dem CD-Fach zu entfernen.

**DISPLAY (ANZEIGE):** Auf dem **DISPLAY (9)** werden die Track-Nr., der Pitchgrad, Single-Auto-Cue und Continue (für kontinuierliches Spielen) und **3** unterschiedliche Zeitanzeigen dargestellt. Diese Zeitanzeigen sind Tracklauzeit, Trackrestzeit und Gesamtrestzeit. Die Zeit wird in Minuten, Sekunden und Frames gemessen.

**PLAYBACK DISPLAY BAR (WIEDERGABE-ANZEIGELEISTE):** Die **PLAYBACK DISPLAY BAR (10)** zeigt die verstrichene und verbleibende Zeit für jeden Titel. Die Striche blinken langsam ab 15 Sekunden Restspielzeit und schnell wenn die Restspielzeit bei **5** Sekunden angekommen ist.

**PLAY/PAUSE (SPIELEN/PAUSE):** Jedesmal, wenn die **PLAY/PAUSE (11)** -Taste gedrückt wird, schaltet das Gerät von Spielen auf Pause bzw. von Pause auf Spielen.

**CUE-TASTE:** Wenn der CD-Spieler sich im Modus **PLAY** befindet und nachdem der Cue-Punkt gespeichert worden ist, verursacht ein Druck auf die Taste **CUE (12)**, das der CD-Spielers in den Modus **PAUSE** (Leuchtdiode **PLAY/PAUSE** blinkt grün auf) an den gespeicherten Cue-Punkt (Leuchtdiode **CUE** leuchtet gelb auf) springt. Wenn Sie die **CUE**-Taste niederdrücken, wird die Mithörfunktion auf **PREVIEW** geschaltet (ermöglicht Ihnen, die Musik ab dem Cue-Punkt abzuhören). Nach Loslassen der **CUE**-Taste springt der Player in den Pausemodus und auf den Cue-Punkt zurück.

**TRACK SKIP (TRACKANWAHL):** Die Tasten **TRACK SKIP (13)** erlauben die Auswahl des Tracks, der gespielt werden soll.

**SEARCH JOG WHEEL (SUCHRAD):** Der Drehschalter **SEARCH JOG WHEEL (14)** dient dazu, die Abtastrichtung und -geschwindigkeit zu wählen. Wenn der Schalter im Uhrzeigersinn gedreht wird, ist die Abtastrichtung vorwärts; gegen den Uhrzeigersinn ist rückwärts. Die Abtastgeschwindigkeit steigt an, je weiter der Schalter gedreht wird.

**SEARCH DIAL (DREHSCHALTER SEARCH):** Das **SEARCH DIAL (15)** hat zwei Funktionen. Das **SEARCH DIAL (15)** dient dazu, den Modus **PAUSE** genau einzustellen. Mit dem **SEARCH DIAL (15)** kann die Tonhöhe (Pitch) im Modus **PLAY** eingestellt werden.

**STOP:** Die Taste **STOP (16)** beendet das Abspielen der CD.

**SINGLE:** Durch Drücken der **SINGLE (17)** Taste aktiviert die **AUTO CUE** Funktion. Die Funktion stoppt das Gerät beim Start der Musik des darauffolgenden Titels und ermöglicht das Abspielen sofort beim Start der Musik ohne jegliche Pause (der zu Beginn eines jeden Titels besteht). Durch Drücken der **SINGLE (17)** Taste ein zweites Mal aktiviert die **CONTINUOUS** Funktion. Diese Funktion lässt das Gerät fortwährend spielen (nach dem letzten Track kehrt das Gerät zurück zum ersten Track der CD und spielt von vorn wieder ab). Durch Drücken der **SINGLE (17)** Taste ein drittes Mal deaktiviert die **CONTINUOUS** Funktion.

**TIME (ZEIT):** Die Taste **TIME (18)** schaltet die Zeitanzeige auf eine der verschiedenen Zeitanzeigen, die unter **DISPLAY (9)** aufgeführt sind.

**FLY CUE (FLY-CUE-TASTE):** Die Funktion **FLY CUE (19)** ermöglicht Ihnen, einen Cue-Punkt mit dem Druck einer Taste schnell einzustellen. Wenn der CD-Spieler im Spielmodus ist (die Leuchtdiode **PLAY/PAUSE** leuchtet grün auf), drücken Sie die Taste **FLY CUE (19)** an der Stelle, wo der Cue-Punkt sein soll (der CD-Spieler spielt weiter). Nun ist der Cue-Punkt gespeichert. Die Taste **CUE** drücken, um zur gespeicherten Stelle zurückzukehren. Die Taste **PLAY/PAUSE (11)** drücken, und der CD-Spieler wird sofort von der ausgewählten Stelle spielen.

**CUE-B:** Nachdem ein cue-Punkt gespeichert wurde, und wenn die Taste **CUE-B (20)** gedrückt wird im Spiel-Modus (Leuchtdiode CUE leuchtet gelb auf), wird der Abschnitt zwischen der Merkstelle und der Stelle an der die Taste **CUE-B (20)** gedrückt wurde, wiederholt(Loop). Drücken Sie die **EXIT/RETURN (21)** Taste wieder oder wählen Sie den Pausenmodus um das Wiederspielen zu verlassen (**EXIT**).

**EXIT/RETURN (RÜCKLAUF):** Die Taste **EXIT/RETURN (21)** drücken, um zum Anfang der zuvor gespeicherten Schleife zurückzukehren. Drücken Sie die **EXIT/RETURN (21)** Taste wieder um die Schleife zu verlassen (**EXIT**).

**PITCH (TONHÖHE):** Das Drücken der **PITCH (22)**-Taste aktiviert die **PITCH CONTROL (TONHÖHENREGELUNG) (24)**. Die Tonhöhe der CD wird je nach der Stellung der **TONHÖHENREGELUNG (24)** geändert.

**PITCH BEND :** Das Drücken der **PITCH BEND (23)**-Tasten wird die Tonhöhe von der ursprünglichen Einstellung automatisch bis +4% anheben oder bis auf -4% senken. Diese Funktion können Sie benutzen, um die Tonhöhe anzupassen, wenn Sie beim Mischen vom einen zum anderen Song übergehen.

**PITCH CONTROL SLIDE (TONHÖHEREGELUNG):** Die Tonhöhe der CD wird je nach der Stellung der **PITCH CONTROL SLIDE (24)** geändert.

## BEDIENUNGSANWEISUNGEN:

1. Die **OPEN/CLOSE (8)**-Taste drücken, eine CD in das **CD-SCHUBFACH (7)** legen und die **OPEN/CLOSE (8)**-Taste nochmals drücken. Das Schubfach bewegt sich zurück in das Gerät und schließt sich.
2. Die **TRACK (13)**-Tasten drücken, um den gewünschten Track auszuwählen.
3. Die Tasten **PLAY/PAUSE (11)** drücken, und das Gerät fängt sofort an zu spielen.

## CUES:

### FLY CUE:

Zur Benutzung der Taste **FLY CUE** sind folgende Anweisungen zu befolgen:

1. Wenn der CD-Spieler im Spielmodus ist drücken Sie die Taste **FLY CUE** an der Stelle, wo der Cue-Punkt sein soll (der CD-Spieler spielt weiter). Dieser ist nun gespeichert. Die Taste **CUE** drücken, um zum gespeicherten Punkt zurückzukehren. Die Taste **PLAY/PAUSE** drücken, und der CD-Spieler wird sofort ab der ausgewählten Stelle spielen.

### PLAY CUE:

1. Um die ungefähre Stelle zu speichern, an der das Abspielen einsetzen soll, ist der entsprechende Track zu wählen, dann die Taste **PLAY/PAUSE** drücken, damit der CD-Spieler in den Modus **PLAY** übergeht (Leuchtdiode **PLAY/PAUSE** leuchtet grün auf). Hören Sie sich die CD an, und sobald die CD ungefähr die gewünschte Stelle erreicht, drücken Sie die Taste **PLAY/PAUSE**, damit das Gerät in den Modus **Pause** geht (Leuchtdiode **PLAY/PAUSE** blinkt grün auf). Mit dem **SEARCH DIAL** den exakten Cue-Punkteinstellen, und dann die Taste **PLAY/PAUSE** drücken, um den Cue-Punkt zu speichern. Durch Drücken der Taste **CUE** springt der Player auf den Cue-Punkt zurück. Die Taste **PLAY/PAUSE** drücken, und das Gerät wird sofort von der gewählten Stelle an spielen.
1. Um die ungefähre Stelle zu speichern, an der das Abspielen einsetzen soll, ist die entsprechende Spur zu wählen, dann die Taste **PLAY/PAUSE** drücken, damit der CD-Spieler in den Modus **PLAY** übergeht (Leuchtdiode **PLAY/PAUSE** leuchtet grün auf). Hören Sie sich die CD an, und sobald die CD ungefähr die gewünschte Stelle erreicht, drücken Sie die Taste **PLAY/PAUSE**, damit die Einheit in den Modus **Pause** geht (Leuchtdiode **PLAY/PAUSE** blinkt grün auf). Das **SEARCH JOG WHEEL** in die exakte Position drehen, in der das Abspielen beginnen soll, und dann die Taste **PLAY/PAUSE** drücken, um die Merkstelle zu speichern. Das Drücken der Taste **CUE** führt Sie zur gespeicherten Merkstelle zurück. Die Taste **PLAY/PAUSE** drücken, und die Einheit wird sofort von der gewählten Stelle an spielen.
2. Stimmt beim Abhören der Cue-Punkt nicht genau, wiederholen Sie den Vorgang nochmals.
3. Wenn diese Stelle in Ordnung ist, springt der CD-Player bei jedem Betätigen der **CUE**-Taste auf den gespeicherten Punkt zurück. Der CD-Spieler fängt sofort nach Drücken der **PLAY**-Taste am Cue-Punkt mit dem Abspielen an.

**HINWEIS: WÄHREND DER FEINABSTIMMUNG ENTSTEHT EIN STUTTER-EFFEKT (UM IHNEN ZU HELFEN, DEN TAKT ZU FINDEN). DER STUTTER-EFFEKT ENDET, WENN SIE DIE PLAY/PAUSE-TASTE (11) DRÜCKEN, UM DEN NEUEN CUE-PUNKT ZU SPEICHERN. HINWEIS: WÄHREND DER FEINSTIMMUNG ENTSTEHT EIN STUTTER-EFFEKT (UM IHNEN ZU HELFEN, DEN TAKT ZU FINDEN). DER STUTTER-EFFEKT WIRD ENDEN, WENN SIE DIE PLAY/PAUSE-TASTE (11) DRÜCKEN, UM DIE NEUE MERKSTELLE ZU SICHERN.**

## FEHLERSUCHE:

- Wenn eine CD nicht spielt, nachprüfen, ob die CD richtig eingelegt wurde (mit der beschrifteten Seite nach oben). Auch auf Verunreinigung, Kratzer usw. überprüfen.
- Wenn die CD sich dreht, aber kein Ton zu hören ist, die Kabelanschlüsse überprüfen. Wenn diese in Ordnung sind, den Verstärker, Mixer oder Receiver überprüfen.
- Wenn die CD springt, ist sie auf Schmutz oder Kratzer zu überprüfen. Man darf nicht sofort annehmen, daß der CD-Spieler defekt ist. Viele CDs werden nicht spezifikationsgemäß aufgezeichnet und springen auf den meisten oder allen CD-Spielern. Bevor Sie das Gerät zur Reparatur einsenden, versuchen Sie, eine CD abzuspielen, von der Sie sicher sind, daß sie richtig spielt.

## TECHNISCHE DATEN:

### ALLGEMEINES:

Typ.....	CD-Spieler
CD-Typ.....	Standard-Compact-Discs (12cm und 8cm)
Zeitdisplay.....	abgelaufene Zeit der Spur, auf der Spur verbleibende Zeit und auf der CD verbleibende Zeit
Tonlagenänderung.....	± 12% Schieber mit Wiederaufnahmeschalter
Tonlagenbiegen.....	maximal ± 16%
Sofort-Start.....	innerhalb von 0,03 Sekunden
Spurauswahl.....	1 bis 99 Spuren
Installati.....	482 mm
Abmessungen.....	482 x 88 x 254 mm
Gewicht (each).....	4 Kg

### AUDIOTEIL:

Quantisierung.....	1 Bit Linear/Kanal, 3-Strahlen-Laser
Oversamplingrate.....	8mal
Samplingfrequenz.....	44,1 KHz
Frequenzantwort.....	20 Hz bis 20 KHz
Digitale ausgangsubchse.....	IEC958
Harmonische Gesamtverzerrung.....	weniger als 0,05%
Verhältnis Signal/Rauschen.....	104 dB
Dynamikbereich.....	98 dB
Kanaltrennung.....	90 dB (1 KHz)
Ausgangspegel.....	1,9 Volt Effektivwert
Stromversorgung.....	Wechselstrom 115/230V, 60/50 Hz

**DIE TECHNISCHEN DATEN KÖNNEN ZU VERBESSERUNGSZWECKEN OHNE VORHERIGE BEKANNTGABE GEÄNDERT WERDEN.**



## INTRODUCCION:

Felicitaciones por su compra del doble lector **CDX-402** de **GEMINI**. Este nuevo aparato está apoyado por una garantía de tres años, excepto los láser. Garantía de un año sobre los lectores láser. Antes de su uso, le recomendamos que lea cuidadosamente todas las instrucciones.

## CARACTERISTICAS:

- Pantalla grande del LCD con luz
- Pitch +/- 12% con Pitch Bend
- Selector De Pista +10
- Fly Cue
- Protección Anti Skip Mecánica
- Looping
- Salida Digital (BNC-SPDIF)
- Rueda de Búsqueda Multi velocidad

## CUIDADO:

No use este lector de CD con temperaturas de menos de 5° C/41° F o de más de 35° C/95° F. El aparato no debería estar expuesto a humedad o a salpicaduras y ningún objeto con líquido tal como un jarrón debería estar colocado encima del CD. Coloque el aparato en un lugar limpio y seco. No coloque el aparato en posición inestable. Cuando se saque el cordón eléctrico de la salida c.a., hágalo siempre por el conector. Nunca tire del cordón. Para evitar los choques eléctricos, no saque la cubierta o los tornillos. El aparato no contiene ninguna parte reemplazable por el usuario. Consigne el servicio a un técnico homologado. No use productos químicos para limpiar el aparato. Mantenga la óptica láser limpia manteniendo la gaveta cerrada. Guarde este manual en un lugar seguro para su futura consulta.

## CERTIFICACIONES DE SEGURIDAD:

Características de los diodos láser  
Material: Ga-Al-As  
Longitud de onda: 755 – 815 nm (25° C)  
Salida del láser: onda continua, 0,5 mW máx

## NOTA IMPORTANTE:

Puesto que el **CDX-402** es un doble lector CD, la mayoría de las funciones y los mandos se duplican en ambos lados del aparato. Para eliminar la confusión y para facilitar la comprensión de los dibujos, hemos numerado solamente las funciones y controles del lado izquierdo.

## SELECCION DE LA TENSION:

El modelo **CDX-402** es un aparato de doble tensión. Funcionará en **115** ó **230** voltios. Para establecer la tensión correcta, haga lo siguiente:  
El modelo **CDX-402** es un aparato de doble tensión. Funcionará en **115** ó **230** voltios. Para establecer la tensión correcta, haga lo siguiente:

1. Coloque la cabeza de un destornillador en el centro **DEL SELECTOR DE TENSION (1)** que se encuentra en el panel trasero.
2. Deslice la llave para **115** o para **230** voltios.
3. No fuerce ni tuerza el selector. Una fuerza excesiva lo puede dañar. Si el selector no se mueve fácilmente, póngase en contacto con un técnico autorizado.

## CONEXIONES:

1. Conecte la clavija eléctrica en el **AC IN (2)** para alimentar el aparato .
2. Con los cables suministrados, conecte un extremo en el lado 2 del **REMOTE CONTROL-TELEMANDO (3)** y el otro lado en el **MAIN UNIT-APARATO PRINCIPAL (3)** también en el lado 2. Haga lo mismo con el lado 1.
3. Conecte un extremo de un juego de conectores **RCA** (suministrados) en cada uno de las salidas de **LINE OUTPUT (4)**.
4. Conecte el otro extremo de los conectores **RCA** (suministrados) en cualquier entrada de línea disponible de su mezclador. Si el **CDX-402** se conecta a un amplificador integrado, se puede conectar en los jack de entrada **CD** o **AUX** de su receptor. Si no hay entradas **CD** o **AUX**, utilice cualquier entrada de línea (nunca phono).
5. Conecte cualquier tipo de instrumento que acepte una señal **DIGITAL**, tal como **DAT**, **MD**, **HARDDRIVE**, etc. a la entrada **BNC (5) OUTPUT** en el panel trasero de la unidad principal para grabar la señal **DIGITAL**.

## DESCRIPCIONES FUNCIONALES:

**POWER (ALIMENTACION):** Después de cerciorarse de que el **VOLTAGE SELECTOR (1)**, colocado en el panel trasero, esté bien puesto, enchufe el aparato y apriete el pulsador **POWER (6)**. El aparato se activa. El hecho de apretar el pulsador **POWER (6)** por segunda vez, lo apaga.

**DISC TRAY (BANDEJA DE DISCO):** El **DISC TRAY (7)** es donde el disco compacto se aloja durante la carga, la descarga y la lectura. El hecho de apretar el pulsador **OPEN/CLOSE (8)** de la bandeja la abrirá o la cerrará. La **DISC TRAY (7)** recibe discos de **12 cms** o de **8 cms**. Observe por favor que si el **CDX-402** se encuentra en la modalidad de lectura, la bandeja no se abre.

**NOTA: NO FUERCE LA BANDEJA DEL DISCO PARA CERRARLA, UNA FUERZA EXCESIVA DAÑARÁ EL MECANISMO DEL CD, UTILICE LOS BOTONES DE OPEN/CLOSE (8) SOLAMENTE.**

**OPEN/CLOSE (ABRIR/CERRAR):** Apriete el **BOTÓN DE ABRIR/ CERRAR - OPEN/CLOSE (8)** para cargar o sacar un disco compacto de la **BANDEJA DE DISCOS - DISC TRAY (7)**.

**DISPLAY (PANTALLA):** El **DISPLAY (9)** muestra el número de la pista, la velocidad pitch, el single-auto cue, continuación (para la lectura continua) y **3** pantallas de tiempo diferentes. Estas pantallas de tiempo son el tiempo transcurrido en la pista, el tiempo restante en el disco y el tiempo restante en la pista. El tiempo se mide en minutos, segundos y tramos.

**PLAYBACK DISPLAY BAR:** La barra **PLAYBACK DISPLAY BAR (10)** indica el tiempo transcurrido y remanente para cada pista. La pantalla parpadea lentamente cuando quedan **15** segundos en la pista y parpadea rápidamente cuando quedan **5** segundos.

**PLAY/PAUSE (LECTURA/PAUSA):** Cada vez que se apriete el pulsador **PLAY/PAUSE (11)** produce un cambio en el funcionamiento de lectura a pausa o de pausa a lectura.

**CUE/PREVIEW (PUNTO DE REFERENCIA):** Con el aparato en la modalidad de reproducción y después de haber memorizado el punto de referencia, el hecho de apretar el pulsador **CUE/PREVIEW (12)** hará pasar el CD a la modalidad de pausa en el punto de referencia memorizado. Si Ud mantiene el dedo en el pulsador **CUE/PREVIEW (12)**, la función **CUE** pasará a **PREVIEW** (lo que le permitirá escuchar la música al ritmo que haya escogido manteniendo el dedo en el pulsador **CUE/PREVIEW (12)**). Si Ud saca el dedo del pulsador **CUE/PREVIEW (12)**, le lleva de nuevo al punto **CUE/PREVIEW (12)** preestablecido.

**SELECCIÓN DE PISTA :** El **BOTÓN DE SELECCIÓN DE PISTA - TRACK SKIP (13)** permite seleccionar la pista a reproducir.

**SEARCH JOG WHEEL (BOTÓN DE BÚSQUEDA):** Use el **SEARCH JOG WHEEL (14)** para seleccionar la dirección y la velocidad de la exploración. Girando el dial en sentido de las agujas del reloj se hace la exploración hacia adelante y viceversa. La velocidad de exploración se incrementa aumentando el giro del dial.

**DIAL DE BÚSQUEDA:** El **DIAL DE BÚSQUEDA - SEARCH DIAL (15)** tiene dos funciones. Use el **SEARCH DIAL (15)** para hacer arreglos de precisión en la modalidad de PAUSA. Use el **SEARCH DIAL (15)** para cuadrar los temas y obtener una sincronización precisa en la modalidad de **REPRODUCCION**.

**PARADA :** El **BOTÓN DE PARADA - STOP (16)** detiene la reproducción del disco compacto.

**SINGLE:** El hecho de apretar el pulsador **SINGLE (17)** activa la función **AUTO CUE**. Esta función hace pausar el aparato al principio de la música de la pista siguiente y le permite empezar la música inmediatamente desde el principio de la música sin espacio blanco (que existe al principio de cada pista). El hecho de apretar el pulsador **SINGLE (17)** por segunda vez activa la función **CONTINUA** lo que produce una lectura continua (después de la última pista, el aparato pasa a la primera pista del disco y sigue tocando). El hecho de apretar el pulsador **SINGLE (17)** por tercera vez, apaga la función **CONTINUA**.

**TIME (TIEMPO):** El pulsador **TIME (18)** hace cambiar la pantalla de tiempo entre las tres selecciones disponibles enumeradas en **DISPLAY (9)**.

**FLY CUE:** La función **FLY CUE (19)** le permite introducir rápidamente puntos de referencia al apretar un botón. Apriete **FLY CUE (19)** en el punto donde a Ud le gusta introducir el punto de referencia (el aparato continúa reproduciendo). Ahora el punto de referencia está memorizado. Apriete el botón **CUE (12)** para volver al punto de referencia memorizado. Aprieta el botón **PLAY/PAUSE (11)** y el aparato comenzará inmediatamente la reproducción desde el sitio seleccionado.

**CUE-B:** Después de haber memorizado un punto de referencia, apretando el pulsador **CUE-B (20)** en la modalidad de reproducción (la luz amarilla de referencia destella), se repite la sección situada entre el punto de referencia y el punto donde se apretó el pulsador **CUE-B (20)**. Apriete el pulsador **EXIT/RETURN (21)** otra vez o ponga la reproducción en pausa para salir (**EXIT**) de la reproducción repetida.



**EXIT/RETURN:** Apriete el pulsador **EXIT/RETURN (21)** para volver al comienzo del loop memorizado anteriormente de la reproducción normal. Apriete el pulsador **EXIT/RETURN (12)** otra vez para salir (EXIT) de la reproducción repetida.

**PITCH (VELOCIDAD):** El hecho de apretar el pulsador **PITCH (21)** activa el **PITCH CONTROL SLIDE (23) CONTROL DE VELOCIDAD**. La velocidad del disco compacto cambiará según la posición del **PITCH CONTROL SLIDE (23)**.

**PITCH BEND (AJUSTE DE LA VELOCIDAD):** El hecho de apretar los pulsadores **PITCH BEND (22)** automáticamente aumentará la velocidad hasta 4% o atenuará la velocidad hasta 4%. El hecho de soltar los pulsadores regresará la velocidad a su valor original. Se puede utilizar esta función para hacer corresponder el ajuste tonal de una canción a otra.

**PITCH CONTROL SLIDE (CONTROL DE VELOCIDAD):** La velocidad del disco compacto cambiará según la posición del **PITCH CONTROL SLIDE (23)**.

## FUNCIONAMIENTO:

1. Apriete el pulsador **OPEN/CLOSE (8)**, coloque un disco compacto en la **BANDEJA DE DISCO (7)** y apriete el pulsador **OPEN/CLOSE (8)** otra vez. La bandeja entra dentro del aparato.
2. Aprieta los pulsadores **TRACK (13)** para seleccionar la pista que quiere reproducir.
3. Apriete el pulsador **PLAY/PAUSE (11)** y el aparato reproducirá inmediatamente.

## CUES: FLY CUE:

Para utilizar el botón **FLY CUE (19)** para establecer el punto de referencia, siga las instrucciones siguientes:

1. Con el aparato en la modalidad de reproducción apriete **FLY CUE** en el punto donde a Ud le gusta introducir el punto de referencia (el aparato continúa reproduciendo). Ahora el punto de referencia está memorizado. Apriete el botón **CUE** para volver al punto de referencia memorizado. Aprieta el botón **PLAY/PAUSE** y el aparato comenzará inmediatamente la reproducción desde el sitio seleccionado.

## PLAY CUE:

1. Para memorizar el punto donde desea que comience la reproducción, seleccione la pista correspondiente y luego apriete el pulsador **PLAY/PAUSE (REPRODUCCIÓN/PAUSA)** para que la unidad entre en la modalidad de reproducción (la luz verde de reproducción/pausa se encenderá). Escuche el disco compacto y cuando llegue al sitio aproximado, apriete el pulsador **PLAY/PAUSE** para que el aparato entre en la modalidad de pausa (la luz verde de reproducción/pausa parpadeará) Mueva el **SEARCH DIAL (15)** al sitio preciso de donde quiere que comience la reproducción y apriete el pulsador **PLAY/PAUSE** para memorizar el punto de referencia. Apriete el pulsador **CUE** para volver al punto de referencia memorizado. Apriete el pulsador **PLAY/PAUSE** y el aparato comenzará inmediatamente la reproducción desde el sitio seleccionado.
2. Para afinar el punto de referencia memorizado con gran precisión, apriete el pulsador de **PLAY/PAUSE** para que la unidad pase a la modalidad de reproducción y escuche cuidadosamente hasta el punto de comienzo. Apriete el pulsador **CUE (PUNTO DE REFERENCIA)** y la unidad pasará a reproducir el disco compacto en el punto de referencia memorizado anteriormente. Si Ud. decide que este punto es correcto, deje así la unidad hasta que Ud esté listo para usarla.
3. Si el punto seleccionado no se encuentra en el sitio deseado, y con la unidad en la modalidad de reproducción, simplemente apriete el pulsador **CUE**. La unidad volverá al sitio seleccionado anteriormente, y pasará a la modalidad de pausa. Moviendo el **SEARCH DIAL**, Ud puede oír y mover el punto de referencia hacia delante o atrás. Después de haber localizado el punto, apriete el pulsador de **PLAY/PAUSE** para memorizar el nuevo punto de referencia. Apriete el pulsador **CUE** para pausar la reproducción en el nuevo punto de referencia memorizado.

**NOTA: DURANTE EL AJUSTE FINO LA UNIDAD ENTRE EN SISTEMA TARTAMUDEO DE REPRODUCCION PARA AYUDARLE A ENCONTRAR EL BEAT. ESTE TARTAMUDEO DESAPARECE AL PULSAR PLAY (11).**

## SOLUCION DE PROBLEMAS:

- Si el disco no reproduce, verifique si el disco ha sido cargado correctamente (etiqueta hacia arriba). Verifique también si el disco contiene un exceso de suciedad, rascaduras, etc.
- Si le disco gira pero no se oye nada, verifique la conexión de los cables. Si todo está en orden, verifique el amplificador o el receptor.
- Si salta el disco compacto, verifique el disco (suciedad o rascaduras). No suponga que el reproductor tiene defecto. Muchos discos compactos se GRABAN fuera de las especificaciones y saltarán en la mayoría o en todos los reproductores. Antes de mandar el aparato para reparación, trate de reproducir un disco del cual se sabe que está en perfecto estado.

## ESPECIFICACIONES:

### GENERALES:

Tipo.....Reproductor de discos compactos  
Tipo de disco.....Discos compactos estandar (12 cm y 8 cm)  
Visualizador horario.....Tiempo de pista transcurrido, tiempo remanente de pista,  
remanente total  
Variación de tono Pitch.....± 12% con control de anulación  
Pitch bend.....± 16% Máximo  
Comienzo instantáneo.....Dentro de los 0.03 Segundos  
Selección de pistas del.....1 a 99 Pistas  
Instalación.....19 pulgadas (48.5 cm)  
Dimensiones.....482 x 88 x 254 mm  
Peso (each).....4 Kg

### SECCIÓN AUDIO:

Cuantificación.....Canal/lineal de 1 bit, láser de 3 rayos  
Rango de muestreo.....8 veces  
Frecuencia de muestreo.....44.1 KHz  
Frecuencia de respuesta.....20 Hz a 20 KHz  
Salida Digital.....IEC958  
Distorsión armónica total.....menos de 0.05%  
Relación señal/ruido.....104 dB  
Variación dinámica.....98 dB  
Separación de canales.....90 dB (1 KHz)  
Nivel de salida.....1.9 voltios, R.M.S.  
Alimentación.....CA 115/230V, 60/50 Hz

**LAS ESPECIFICACIONES Y EL DISEÑO PUEDEN CAMBIAR SIN PREAVISO POR RAZON DE MEJORAS.**



## INTRODUCTION:

Nos félicitations à l'occasion de l'achat du double lecteur **CDX-402** de **Gemini**. Ce double lecteur CD ultramoderne est couvert par une garantie de trois ans, à l'exception des blocs optiques (Garantie 1 an). Avant son utilisation, nous vous recommandons de lire soigneusement toutes les instructions qui suivent.

## CARACTÉRISTIQUES:

- **Large** écrans LCD rétro-éclairés
- Réglage de vitesse +/- 12% avec touche de rattrapage + & -
- Mémoire Anti-Chocs
- Molette de recherche AV/AR multi-vitesse
- Fonction Auto/Single Cue & Lecture continue
- Boucle
- Touche +10 pour sélection de plages
- Fly cue
- Sortie numérique (Standard SPDIF)

## ATTENTION:

N'utilisez pas cet appareil à des températures en-dessous de 5° C/41° F ou au-dessus de 35° C/95° F. L'appareil ne doit pas être exposé à l'eau et à l'humidité ; aucun objet rempli de liquide tel qu'un vase ne devrait être placé sur celui-ci. Placez l'appareil dans un lieu propre et sec. Ne mettez pas l'appareil sur un support instable. Lorsque vous retirez le cordon d'une prise secteur, prenez-le toujours par la fiche. Ne tirez jamais le cordon lui-même. Afin d'éviter un choc électrique, n'enlevez pas le couvercle ou les vis. L'appareil ne contient pas de pièces à remplacer par l'utilisateur. Consultez un technicien qualifié pour ce genre d'intervention (Consultez votre revendeur). N'utilisez pas de produits chimiques pour nettoyer l'appareil. Gardez la tête de lecture du bloc optique (rayon laser) propre en conservant le tiroir fermé. Gardez ce manuel dans un lieu sûr à titre de référence.

## CERTIFICATIONS DE SÉCURITÉ:

Caractéristiques de la diode laser  
Matière: GA - Al - As  
Longueur d'onde: 755 - 815 nm (25°C)  
Sortie de laser: Onde continue, max. 0,5 mW

## REMARQUE IMPORTANTE:

Étant donné que le **CDX-402** est un double lecteur CD, la plupart des fonctions et commandes se répètent des deux côtés de l'appareil. Afin d'éliminer toute confusion et pour faciliter la compréhension des dessins, seules les fonctions et commandes du côté gauche seront numérotées.

## SELECTION DE LA TENSION D'ALIMENTATION:

Le modèle **CDX-402** fonctionne sous 2 tensions d'alimentation: **115** ou **230** volts. Pour sélectionner la tension correcte, faites ce qui suit:

1. Placez la tête d'un tournevis au centre du **SELECTEUR DE TENSION - VOLTAGE SELECTOR (1)** sur le panneau arrière.
2. Commutez le sélecteur de tension sur **115** ou **230** volts (France / 230 volts).
3. Ne forcez et ne tordez pas le sélecteur au risque de l'endommager. Si le sélecteur ne se déplace pas correctement, contactez un technicien qualifié ou votre revendeur.

## BRANCHEMENTS:

1. Branchez le cordon d'alimentation à l'embase **AC IN (2)** pour la mise sous tension.
2. Par l'intermédiaire des câbles inclus, reliez une des extrémités dans le connecteur du côté 2 de la **COMMANDE A DISTANCE - REMOTE CONTROL (3)** et l'autre extrémité dans le connecteur du côté 2 de l'**APPAREIL PRINCIPAL -MAIN UNIT (3)**. Répétez l'opération sur le côté 1.
3. Reliez l'un des deux cordons RCA (fournis) à la sortie **RCA SORTIE LIGNE-LINE OUTPUT (4)**.
4. Reliez l'autre extrémité du cordon **RCA** à une entrée ligne disponible sur votre console de mixage. Si vous connectez le **CDX-402** à un amplificateur, vous pouvez brancher les cordons **RCA** aux entrées **CD** ou **AUX**. S'il n'y a pas d'entrées **CD** ou **AUX**, utilisez n'importe quelle entrée ligne.
5. Vous pouvez connecter tout **APPAREIL NUMERIQUE**, lecteur/enregistreur, de type DAT, MD, HD (Disque Dur), MP-3 afin d'enregistrer un signal numérique au travers de la sortie **BNC (5) OUTPUT**.

## DESCRIPTIONS DES FONCTIONS:

**POWER (ALIMENTATION):** Après avoir vérifié que le **SELECTEUR DE TENSION (1)** sur le panneau arrière soit correctement positionné, reliez l'appareil à une prise d'alimentation et appuyez sur la touche **POWER-PUISSANCE (6)**. L'appareil se mettra en marche. Si vous appuyez sur cette touche une seconde fois, l'appareil s'éteindra.

**DISC TRAY (TIROIR DE CHARGEMENT):** Le **TIROIR DE CHARGEMENT (7)** contient le disque durant le chargement, le déchargement et la lecture. Lorsque vous appuyez sur la touche **OPEN/CLOSE (8)** du tiroir de chargement, ce dernier s'ouvrira ou se fermera. Le **TIROIR DE CHARGEMENT (7)** peut contenir des disques de **12** cm et **8** cm. Veuillez noter que le tiroir de chargement ne s'ouvrira pas si le **CDX-402** se trouve en mode lecture.

**NOTE : NE FORCEZ PAS SUR LE TIROIR DE CHARGEMENT DU DISQUE POUR LE FERMER. TOUTE FORCE EXCESSIVE ENDOMMAGERA LE MÉCANISME DE CHARGEMENT DU CD. UTILISEZ EXCLUSIVEMENT LES TOUCHES OPEN/CLOSE-OUVERTURE/FERMETURE (8).**

**TOUCHE OUVERTURE/FERMETURE:** Appuyez sur la touche **OUVERTURE/FERMETURE - OPEN/CLOSE (8)** pour charger ou enlever un CD du **TIROIR DE CHARGEMENT (7)**.

**DISPLAY (ECRAN):** L'**ECRAN-DISPLAY (9)** affiche le numéro de la plage, le réglage de vitesse, la fonction single-auto cue ou lecture continue et 3 affichages de temps différents. Ces derniers sont le temps écoulé sur la plage, le temps restant sur le disque et le temps restant sur la plage en cours de lecture. Le temps est affiché en minutes, secondes et trames (1/75<sup>ème</sup> de seconde).

**PLAYBACK DISPLAY BAR (AFFICHAGE BARRE DE LECTURE):** La **PLAYBACK DISPLAY BAR (10)** affiche le temps parcouru et restant pour chaque plage. L'affichage clignote lentement lorsqu'il reste **15** secondes sur la plage et clignote rapidement lorsqu'il reste **5** secondes de lecture.

**PLAY/PAUSE (LECTURE/PAUSE):** Chaque pression sur la touche **LECTURE/PAUSE - PLAY/PAUSE (11)** met l'appareil en mode lecture ou en mode pause.

**CUE (POINT DE DEMARRAGE DE LECTURE):** Avec l'appareil en mode lecture (la LED lecture/pause s'allume en vert) et après avoir mémorisé le point (cue), le fait d'appuyer sur la touche **CUE (12)** commutera l'appareil en mode pause (la LED lecture/pause verte clignote) au point de démarrage mémorisé (la LED du point CUE s'allume en jaune). Le fait de tenir le doigt sur la touche Cue change la fonction **CUE** en **PREVIEW** (ce qui vous permettra d'écouter la musique). Lorsque vous libérez la touche CUE, l'appareil revient alors au point CUE mémorisé.

**TRACK SKIP (RECHERCHE DE PLAGE):** Les touches **RECHERCHE DE SKIP - TRACK SKIP (13)** vous permettent de choisir la plage que vous désirez lire.

**SEARCH JOG WHEEL (MOLETTE DE RECHERCHE):** La **MOLETTE DE RECHERCHE JOG WHEEL (15)** permet de choisir la direction et la vitesse de recherche. Le fait de tourner le cadran dans le sens des aiguilles d'une montre effectuera la recherche en avant, dans le sens inverse la recherche s'effectuera en arrière. La vitesse de recherche dépend de la position de la molette: plus vous la tournez, plus la vitesse de recherche sera rapide.

**MOLETTE DE RECHERCHE (SEARCH DIAL):** La **SEARCH DIAL (15)** possède deux fonctions. La **SEARCH DIAL (15)** permet une recherche précise en mode **PAUSE**. La **SEARCH DIAL (15)**, en mode **PLAY** (lecture), permet aussi d'ajuster la vitesse de lecture pour une meilleure synchronisation lors d'un mix.

**STOP :** La touche **STOP (16)** permet de stopper la lecture du CD.

**SINGLE (LECTURE SIMPLE):** Appuyez sur la touche **SINGLE (17)** active la fonction **AUTO CUE**. Cette fonction met l'appareil en mode pause au début de la lecture de la plage suivante et permet de commencer la lecture à la première note du morceau. Le fait d'appuyer sur la touche **SINGLE (17)** une seconde fois active la fonction **CONTINUOUS (LECTURE CONTINUE)**. Cette fonction permet de lire un CD de la première à la dernière plage. A la fin du CD, l'appareil redémarre la lecture à la première plage. Le fait d'appuyer une troisième fois sur la touche **SINGLE (17)** désactivera la fonction **CONTINUOUS**.

**TIME (TEMPS):** La touche **TIME (18)** permet de sélectionner le mode d'affichage du temps, expliqué précédemment. Voir **DISPLAY (9)**.

**FLY CUE (MEMORISATION A LA VOLEE D'UN POINT CUE):** La fonction **FLY CUE (19)** vous permet de mémoriser instantanément un point CUE (Point de démarrage de lecture) en appuyant uniquement sur la touche. Appuyez sur la touche **FLY CUE** lorsque vous souhaitez mémoriser ce point (l'appareil continue la lecture). Maintenant, le point de repère est mémorisé. Appuyez sur la touche **CUE** pour revenir au point de repère mémorisé. Appuyez sur la touche **PLAY/PAUSE**; l'appareil commencera la lecture instantanément à partir du point mémorisé.

**CUE-B (POINT DE SORTIE):** Après la mémorisation d'un point CUE (Point de démarrage de lecture), le fait d'appuyer sur la touche **CUE-B (20)** en mode lecture (le voyant jaune de repère clignote) fait répéter la partie entre le point CUE et le point où la touche **CUE-B (20)** a été pressée. Appuyez de nouveau sur la touche **EXIT/RETURN** ou mettez la lecture sur pause pour sortir (**EXIT**) de la lecture répétée de la boucle.

**EXIT/RETURN (SORTIE/RETOUR):** Appuyez sur la touche **EXIT/RETURN (21)** pour revenir au début de la boucle mémorisée précédemment et reprendre la lecture normale. Appuyez de nouveau sur la touche **EXIT/RETURN (21)** pour sortir (**EXIT**) de la lecture répétée de la boucle.

**PITCH (REGLAGE DE VITESSE):** Le fait d'appuyer sur la touche **PITCH (22)** active la fonction **REGLAGE DE VITESSE-PITCH CONTROL (24)**. La vitesse de lecture du CD dépend du réglage effectué sur ce potentiomètre.

**PITCH BEND BUTTONS (TOUCHES DE RATTRAPAGE):** Le fait d'appuyer sur les touches **PITCH BEND (23)** augmentera automatiquement la hauteur du son de + ou - 4%.

**PITCH CONTROL SLIDE (POTENTIOMETRE DE REGLAGE DE VITESSE):** Le **REGLAGE DE VITESSE-PITCH CONTROL (24)** permet d'augmenter ou de baisser la vitesse de lecture.

## INSTRUCTIONS DE FONCTIONNEMENT:

1. Pressez la touche **OUVERTURE/FERMETURE - OPEN/CLOSE (8)**, placez un CD sur le **TIROIR DE CHARGEMENT (7)** et pressez de nouveau la touche **OPEN/CLOSE (8)** afin de refermer le tiroir de chargement.
2. Appuyez sur les touches **RECHERCHE DE PLAGE - TRACK SKIP (13)** pour choisir la plage à écouter.
3. Appuyez sur la touche **LECTURE/PAUSE - PLAY/PAUSE (11)** et l'appareil commencera la lecture immédiatement.

## POINT CUES:

### FLY CUE:

Pour enregistrer un point CUE à l'aide de la touche **FLY CUE (MEMORISATION A LA VOLEE D'UN POINT CUE) (19)**, veuillez respecter les instructions ci-après:

1. L'appareil est en mode lecture (la LED lecture/pause verte s'allume), appuyez sur la touche **FLY CUE** lorsque vous souhaitez mémoriser ce point (l'appareil continue la lecture). Appuyez sur la touche **CUE** pour revenir au point de repère mémorisé. Appuyez sur la touche **PLAY/ PAUSE**; l'appareil commencera la lecture instantanément à partir du point mémorisé.

### PLAY CUE:

1. Pour mémoriser un point CUE, l'endroit à partir duquel vous voulez commencer la lecture, choisissez la plage, et appuyez ensuite sur la touche **PLAY/PAUSE** (lecture/pause) de sorte que l'appareil passe en mode lecture (la LED lecture/pause verte s'allumera). Écoutez le CD et lorsque vous approchez l'endroit approximatif que vous souhaitez mémoriser, appuyez sur la touche **PLAY/PAUSE** de sorte que l'appareil passe en mode pause (la LED lecture/pause verte clignotera). Déplacez la **SEARCH DIAL** à l'endroit précis à partir duquel vous voulez commencer la lecture et appuyez sur la touche **PLAY/PAUSE** pour mémoriser ce point de démarrage. Appuyez sur la touche **CUE** pour revenir au point de démarrage mémorisé. Appuyez sur la touche **PLAY/ PAUSE** et l'appareil commencera la lecture à partir de l'endroit mémorisé.
2. Pour régler le point d'insertion mémorisé avec grande précision, appuyez sur la touche **PLAY/PAUSE** de sorte que l'appareil passe en mode lecture (la LED lecture/pause verte s'allumera) et écoutez soigneusement jusqu'au point de départ. Appuyez sur la touche **CUE** et l'appareil passera en mode pause (la LED lecture/pause verte clignote) et le lecteur CD reviendra au point de démarrage mémorisé antérieurement. Si vous décidez que ce point est satisfaisant, ne touchez plus à l'appareil jusqu'à ce que vous soyez prêt pour la lecture.

3. L'appareil commencera la lecture instantanément à partir de l'endroit mémorisé. Si le point choisi ne se trouve pas à l'endroit que vous désirez, et l'appareil étant en mode de lecture, il suffit d'appuyer sur la touche **CUE**. L'appareil renviendra au point choisi antérieurement et passera en mode de pause. En utilisant la **SEARCH DIAL**, vous pouvez écouter et déplacer le point de démarrage en avant ou en arrière de façon précise. Après avoir localisé l'endroit, appuyez sur la touche **PLAY/PAUSE** pour mémoriser le nouveau point de démarrage. Appuyez sur la touche **CUE** pour mettre la lecture au repos au nouveau point d'insertion mémorisé. Appuyez sur la touche **PLAY/PAUSE (11)** lorsque vous le souhaitez et la lecture reprendra au point mémorisé.

**REMARQUE: DURANT LE RÉGLAGE PRÉCIS, IL Y AURA UN EFFET DE BÉGALEMENT (POUR VOUS AIDER À TROUVER LA MESURE). CET EFFET S'ARRÊTERA LORSQUE VOUS APPUIEREZ SUR LE BOUTON PLAY/PAUSE (11) POUR MÉMORISER LE POINT DE REPÈRE. AINSI, DURANT LE RÉGLAGE PRÉCIS, SI VOUS GARDEZ LE DOIGT SUR LE SEARCH DIAL (14), L'APPAREIL FERA RAPIDEMENT LA RECHERCHE APRÈS 10 SEGMENTS.**

## SOLUTION DES PANNES:

- Si le CD n'est pas lu, vérifiez si le disque a été chargé convenablement (étiquette vers le haut). Vérifiez également si le CD ne contient pas de saletés, rayures, etc.
- Si le CD tourne mais il n'y a pas de son, vérifiez le branchement des câbles. S'il n'y a rien d'anormal, contrôlez votre amplificateur ou récepteur.
- Si le CD saute, contrôlez la présence éventuelle de saletés, de poussières ou de rayures. Avant d'imaginer votre appareil en panne, vérifiez que vos CDs n'ont pas été enregistrés en dehors des spécifications et recommandations d'usage. Vérifiez que ces CDs soient lus correctement sur d'autre(s) lecteur(s) avant de renvoyer votre appareil en SAV (Auprès d'un revendeur agréé).

## CARACTERISTIQUES TECHNIQUES:

### GÉNÉRALITÉS:

Type.....	Lecteur de disque compact (CD)
Disc Type.....	Disques compacts standard (12 cm & 8 cm)
Affichage temps.....	Temps écoulé, temps restant ou temps total restant
Réglage de vitesse.....	Potentiomètre linéaire ± 12%
Touches de rattrapage.....	± 16 % maximum
Démarrage instantané.....	En 0.03 secondes
Sélection de plage.....	de 1 à 99 plages.
Installation.....	19" x 2U (Par appareil)
Dimensions.....	483 x 89 x 254 mm
Poids.....	4 Kg (Par appareil)

### SECTION AUDIO:

Quantification.....	Canal/linéaire 1, laser à 3 rayons
Taux de suréchantillonnage.....	8 fois
Fréquence d'échantillonnage.....	44.1 KHz
Bande passante.....	20 Hz à 20 KHz
Sortie numérique.....	IEC958
Distorsion harmonique.....	Moins de 0.05 %
Rapport signal/bruit.....	104 dB
Dynamique de mesure.....	98 dB
Diaphonie (Séparation des canaux).....	90 db (l KHz)
Niveau de sortie.....	1.9 volts R.M.S. (efficace)
Alimentation électrique.....	RANT ALTERNATIF. 115/230V, 60/50 Hz

**EN RAISON D'UN SOUCI CONSTANT D'AMELIORATION DE NOS PRODUITS, LES SPÉCIFICATIONS ET LA CONCEPTION PEUVENT CHANGER SANS PRÉAVIS**





**IN THE USA: IF YOU EXPERIENCE PROBLEMS WITH THIS UNIT, CALL 1-732-738-9003 FOR GEMINI CUSTOMER SERVICE. DO NOT ATTEMPT TO RETURN THIS EQUIPMENT TO YOUR DEALER.**

Parts of the design of this product may be protected by worldwide patents. Information in this manual is subject to change without notice and does not represent a commitment on the part of the vendor. Gemini Sound Products Corp. shall not be liable for any loss or damage whatsoever arising from the use of information or any error contained in this manual. No part of this manual may be reproduced, stored in a retrieval system or transmitted, in any form or by any means, electronic, electrical, mechanical, optical, chemical, including photocopying and recording, for any purpose without the express written permission of Gemini Sound Products Corp. It is recommended that all maintenance and service on this product is performed by Gemini Sound Products Corp. or its authorized agents. Gemini Sound Products Corp. will not accept liability for loss or damage caused by maintenance or repair performed by unauthorized personnel.



**Worldwide Headquarters • 120 Clover Place, Edison, NJ 08837 • USA  
Tel: (732) 738-9003 • Fax: (732) 738-9006**

France • Gemini France (GSL) • 1, Allee d'Effiat, Parc de l'Événement, 91160 Longjumeau, France  
Tél: + 33 1 69 79 97 70 • Fax: + 33 1 69 79 97 80

Germany • Gemini Sound Products GmbH • Liebigstr. 16, Haus B - 3.0G, 85757 Karlsfeld, Germany  
Tel: 08131 - 39171-0 • Fax: 08131 - 39171-9

UK • Gemini Sound Products • Unit C4 Hazleton Industrial Estate, P08 9JU Waterlooville, UK  
Tel: 087 087 00880 • Fax: 087 087 00990

Spain • Gemini Sound Products S.A. • Rosello, 516, 08026 Barcelona, Spain,  
Tel: 349-3435-0814 • Fax: 3493-347-6961

**© Gemini Sound Products Corp. 2004 All Rights Reserved.**

## Free Manuals Download Website

<http://myh66.com>

<http://usermanuals.us>

<http://www.somanuals.com>

<http://www.4manuals.cc>

<http://www.manual-lib.com>

<http://www.404manual.com>

<http://www.luxmanual.com>

<http://aubethermostatmanual.com>

Golf course search by state

<http://golfingnear.com>

Email search by domain

<http://emailbydomain.com>

Auto manuals search

<http://auto.somanuals.com>

TV manuals search

<http://tv.somanuals.com>