

# Installation Instructions

## Downdraft Vent Systems

PVB37

PVB67

PVB94

PVB98

ZVB30

ZVB36

# Safety Information

## BEFORE YOU BEGIN

Read these instructions completely and carefully.

- **IMPORTANT** – Save these instructions for local inspector's use.
- **IMPORTANT** – Observe all governing codes and ordinances.
- **Note to Installer** – Be sure to leave these instructions with the consumer.
- **Note to Consumer** – Keep these instructions for future reference.
- **Skill Level** – Installation of these vents require basic mechanical and electrical skills.
- **Completion Time** – 1 to 3 hours.
- Proper installation is the responsibility of the installer. Product failure due to improper installation is not covered under the warranty.

If you received a damaged vent, you should immediately contact your dealer or builder.

For Monogram local service in your area,  
1.800.444.1845.

For Monogram service in Canada,  
1.800.561.3344.


For Monogram Parts and Accessories,  
call 1.800.626.2002.

### **WARNING:**


This appliance must be properly grounded.

### **WARNING:**

TO REDUCE THE RISK OF FIRE, USE ONLY METAL DUCTWORK.

 **WARNING:** TO REDUCE THE RISK OF FIRE, ELECTRIC SHOCK OR INJURY TO PERSONS, OBSERVE THE FOLLOWING.

- A. Use this unit only in the manner intended by the manufacturer. If you have questions, contact the manufacturer.
  - B. Before service or cleaning unit, switch power off at service panel and lock the service disconnecting means to prevent power from being switched on accidentally. When the service disconnecting means cannot be locked, securely fasten a prominent warning device, such as a tag, to the service panel.
- Do not attempt to repair or replace any part of the downdraft system unless it is specifically recommended in this book. All other servicing should be performed by a qualified technician.
  - For general ventilating use only. Do not use to exhaust hazardous or explosive materials and vapors.
  - Installation work and electrical wiring must be done by a qualified person(s), in accordance with all applicable codes and standards including fire-rated construction.

 **CAUTION:** To reduce the risk of fire and to properly exhaust air, be sure to duct air outdoors. Do not vent exhaust air into spaces within walls or ceilings or into attics, crawl spaces or garages.

# Design Information

## CONTENTS

### Design Information

Product Dimensions .....	3
Accessories.....	3
Advance Planning .....	4, 5

### Installation Preparation

Clearances.....	6, 7
Parts Supplied .....	7
Tools and Materials Required .....	7
Remove Packaging.....	7
Power Supply .....	8
Venting Options.....	9

### Ductwork

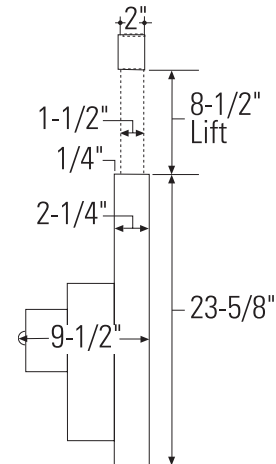
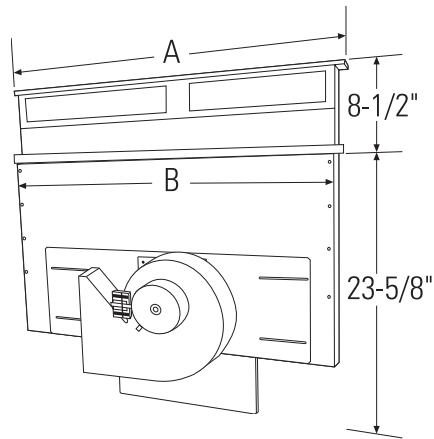
Duct Fittings.....	10
--------------------	----

### Installation Instructions

Step 1, Install Downdraft Vent.....	11
Step 2, Install the Ductwork.....	11
Step 3, Install Control Switch.....	12
Step 4, Connect Power .....	13
Step 5, Install Filters, Check Operation.....	13
Cleaning.....	13

## PRODUCT DIMENSIONS

	A	B
30" Models	30"	28-5/16"
36" Models	36"	33-15/16"



## ACCESSORIES

**JXRB67** – Optional accessory for indoor remote location of the blower/motor assembly. Use this kit when the blower and motor assembly will be located outside of the cabinet, such as below the cabinet floor.

**JXBC67** – Optional outdoor cover accessory for remote installation of blower and motor assembly on an outside wall.

# Design Information

## ADVANCE PLANNING

### Remote Switch

The 30" and 36" Monogram models and the 36" Profile model have a separate raise/lower switch. Plan to install the switch in a convenient location outside of the vent/cooktop cutout.

### Downdraft Vent and Cooktop Cutout

The installation of these downdraft vents with any GE or Monogram cooktop requires careful consideration. Before you begin, review the combination cutout illustrations on page 6.

### Countertop Requirements

The countertop must have a deep flat surface to accommodate the cooktop and the vent. Countertops with a rolled front edge and backsplash may not provide the flat surface area required.

### Base Cabinet Requirements

The base cabinet must be deep enough to accommodate the minimum clearance to the front of the countertop, the cooktop burner box and the vent.

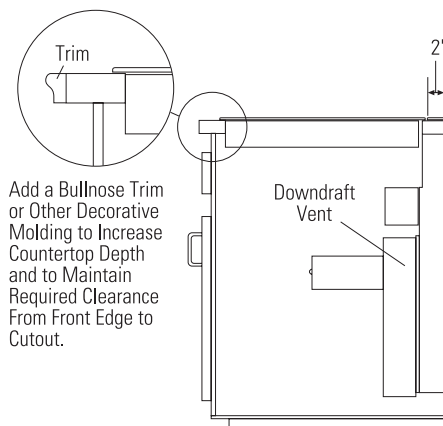
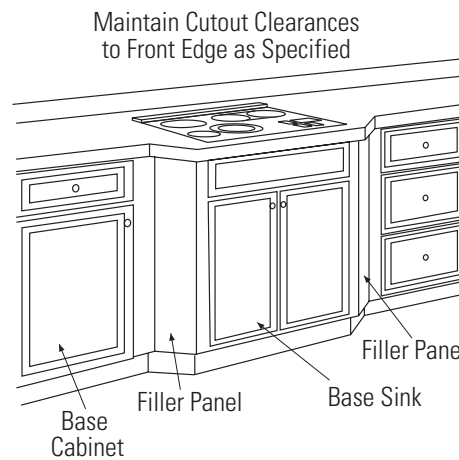
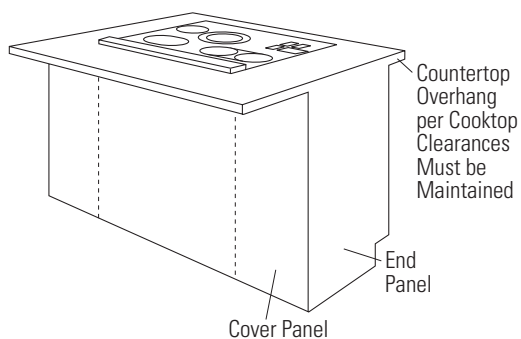
### Before you begin, you must:

1. Review countertop dimension illustrations to be sure you will have enough flat countertop surface.
2. Check to be sure that the total countertop depth required (including minimum cutout to front edge depth) allows enough space for a backsplash.
3. Review the cabinet illustration. Check to be sure the interior cabinet depth will house the cooktop burner box, the vent and the cutout clearance from the front.
4. When countertop and cabinet depth present a problem, review *Creative Solutions*.
5. Read this book completely to accurately plan the installation location, clearances and ductwork requirements.

With careful planning, you can achieve a custom look with minimal adjustments.

## Creative Solutions

- When the kitchen design calls for an against-the-wall installation, move the base cabinet forward 3" to 5". Filler panels or complementary moldings can be added to exposed cabinet sides.
- In an island or peninsula, use an extra-deep countertop. The countertop overhang at the front can be adjusted to meet setback to cutout requirements.
- When the cutout to the front edge of the countertop requirement is more than 2", add a bullnose trim to the front edge of the countertop. Include the trim thickness when measuring the front edge to cutout requirement. By adding the trim, the cooktop can be moved forward, providing additional countertop depth and interior cabinet space.



# Design Information

## Clearances

- The downdraft system with blower, motor and ductwork will occupy the cabinet below the countertop and cooktop.
- The blower/motor assembly can be located below the cabinet floor. The assembly will fit between 16" floor joists. Order JXRB67 for indoor remote locations.
- The blower motor assembly can also be installed outdoors. Order JXBC67 for remote blower installations outdoors.
- Refer to *Clearances* for information on appropriate placement and necessary clearances when planning installation.
- Refer to your specific cooktop installation instruction for other appropriate clearances.
- Avoid placing cabinetry directly above the cooking surface when possible.

If cabinetry is used above the cooking surface:

- Use cabinets no more than 13" deep.
- Maintain 30" minimum clearance between cooktop and unprotected cabinets directly above cooktop.
- If clearance is less than 30", protect cabinet bottoms with flame-retardant millboard at least 1/4" thick or gypsum board at least 3/16" thick covered with 28 gauge sheet steel or .02" thick copper.
- Clearance between cooktop and protected cabinetry must not be less than 24".

EXCEPTION: Installation of a listed microwave oven or cooking appliance over the cooktop shall conform to the installation instructions packed with that appliance.

- Working areas adjacent to the cooktop should have 18" minimum clearance between countertop and cabinet bottom.
- Installation must conform with local codes.

## Ductwork

Prepare ductwork to vent to the outdoors.

- Use the shortest and straightest duct run possible.
- The maximum permissible length for duct run is 150 feet.
- Refer to "Duct Fittings" chart to calculate equivalent length for various duct configurations.
- The downdraft blower system is designed to use 3-1/4" x 10" ductwork. It can be transitioned to 6" round.
- Ductwork MUST be vented to the outside—never into a crawl space, attic or other enclosed space.
- Determine the need for a wall cap or roof cap. Order the cap in advance.

## Electrical and Gas Locations

Plan the placement of the electrical outlet and gas (if used) carefully. Gas or electrical outlets cannot be placed on the back wall of the cabinet because it may interfere with the downdraft plenum.

- Install a standard electrical outlet within reach of the vent's two-foot-long power cord.
- The vent and a GE or Monogram gas cooktop combination can operate from the same 120-volt standard duplex outlet.
- Electric cooktops must operate from a separate 240-volt junction box.

# Installation Preparation

## CUTOUTS AND CLEARANCES

- Measure carefully when cutting the countertop. Make sure sides of the opening are parallel and rear and front cuts are exactly perpendicular to the sides.
- Measure to be sure there is room for clearances to the front edge of the countertop.
- Refer to cooktop installation instructions to be sure that models fit into the base cabinets being used.
- Draw lines on the countertop to follow as a cutting guide. Measure and mark cooktop and vent overlaps to be sure there is enough flat countertop depth.

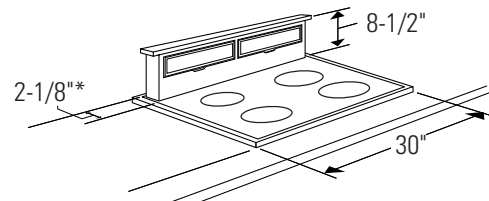
## 30" COOKTOP/DOWNDRAFT

The cooktop must be installed per manufacturer's installation instructions.

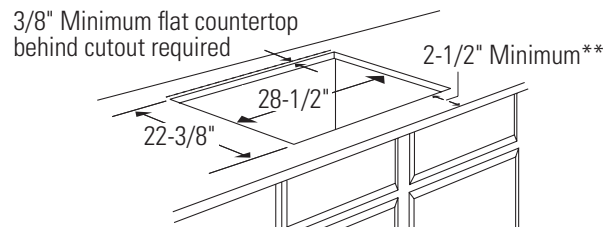
**IMPORTANT:** The countertop cutout requires 23-1/2" minimum flat countertop surface and 25" minimum total countertop depth.

**NOTE:** Before you begin, measure and mark depth to ensure that adequate flat countertop surface is available.

- Draw lines on the countertop to follow as a cutting guide.
- Make sure sides of the opening are parallel and rear and front cuts are exactly perpendicular (right angle) to sides.



\*Includes 1/8" gap between cooktop and vent trim



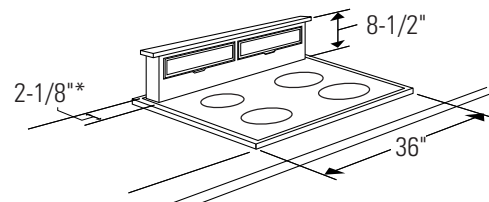
\*\*Required to maintain UL or CSA approvals

## 36" COOKTOP/DOWNDRAFT

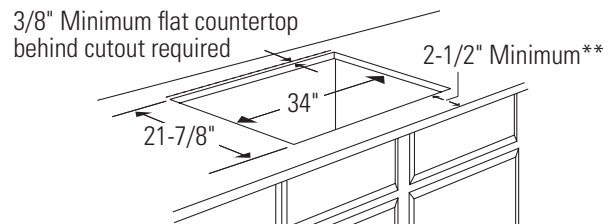
**IMPORTANT:** The countertop cutout requires 23-1/2" minimum flat countertop surface and 25" minimum total countertop depth.

**NOTE:** Before you begin, measure and mark depth to ensure that adequate flat countertop surface is available.

- Draw lines on the countertop to follow as a cutting guide.
- Make sure sides of the opening are parallel and rear and front cuts are exactly perpendicular (right angle) to sides.



\*Includes 1/8" gap between cooktop and vent trim

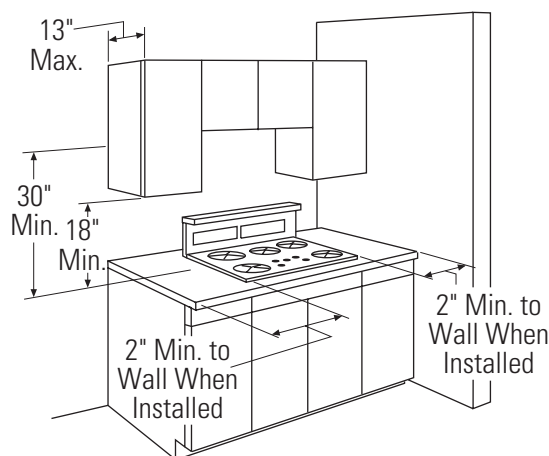
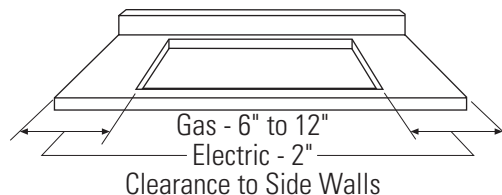


\*\*Required to maintain UL or CSA approvals

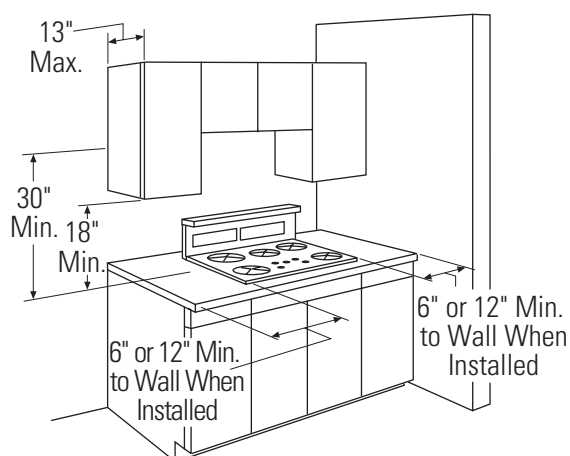
# Installation Preparation

## CLEARANCES

**⚠ CAUTION:** Wall coverings, countertops and cabinets should withstand 200° heat generated by any cooktop.



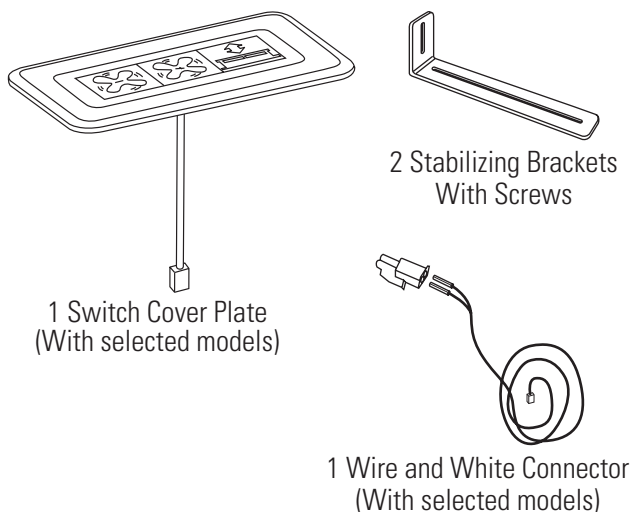
Electric Cooktop Clearances When Installed



Gas Cooktop Clearances When Installed

## PARTS SUPPLIED

Open the carton and remove parts package. Check contents to be sure all pieces are present.



## TOOLS AND MATERIALS REQUIRED

- Large flat-blade screwdriver
- Jigsaw
- Carpenter's square
- Ductwork to suit the installation

## REMOVE PACKAGING

- Remove the shipping materials and the carton; set carton aside. The carton can be used as a pad when changing or adjusting vent direction.

# Installation Preparation

## POWER SUPPLY

### **⚠ WARNING:**

FOR PERSONAL SAFETY, THIS APPLIANCE MUST BE PROPERLY GROUNDED.

Remove house fuse or open circuit breaker before beginning installation.

Do not use an extension cord or adapter plug with this appliance. Follow National Electrical Code or prevailing local codes and ordinances.

This downdraft vent must be supplied with 120V, 60 Hz. and connected to an individual, properly grounded branch circuit, protected by a 15- or 20-ampere circuit breaker or time-delay fuse.

### **Gas Cooktops**

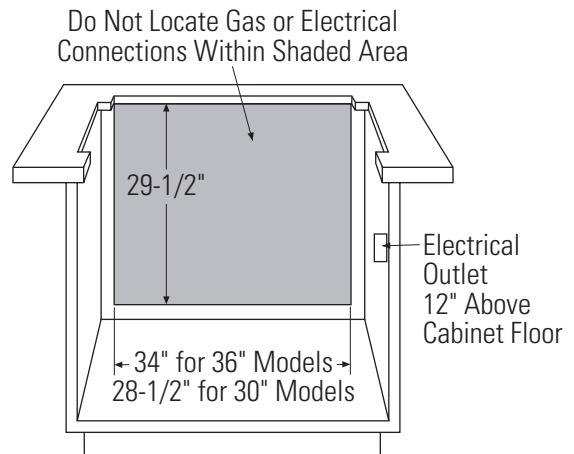
If this vent is installed in combination with a GE or Monogram gas cooktop, it may operate from the same duplex outlet.

### **Electric Cooktops**

If this vent is installed in combination with a GE or Monogram electric cooktop, the vent must operate from a separate 120V outlet.

- A properly grounded 3-prong receptacle should be located within reach of the vent's two-foot power cord.
- Locate the receptacle inside the cabinet on the right side wall. The receptacle cannot be placed on the back of the cabinet wall where it may interfere with the downdraft plenum. See illustration.

Ensure that the cooktop is installed per manufacturer's installation instructions.



## IMPORTANT

**(Please read carefully.)**

The power cord of this appliance is equipped with a three-prong (grounding) plug which mates with a standard three-prong grounding wall receptacle to minimize the possibility of electric shock. The customer should have the wall receptacle and circuit checked by a qualified electrician to make sure the receptacle is properly grounded and has correct polarity.

- Where a standard two-prong wall receptacle is encountered, it is the personal responsibility and obligation of the customer to have it replaced with a properly grounded three-prong wall receptacle.

**Do not, under any circumstances, cut or remove the third (ground) prong from the power cord.**

**DO NOT USE AN EXTENSION CORD.**



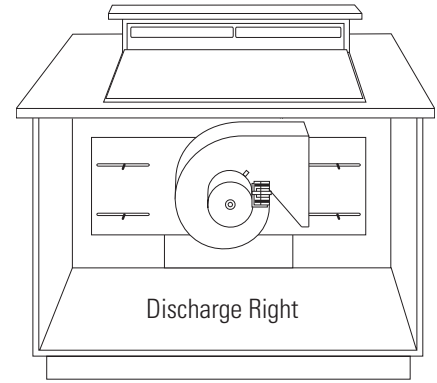
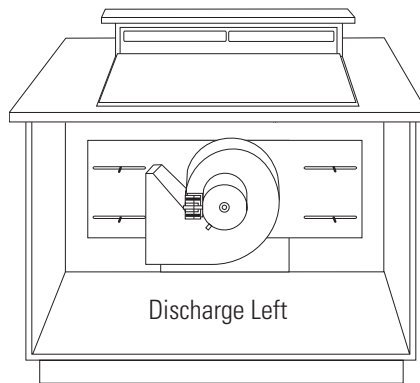
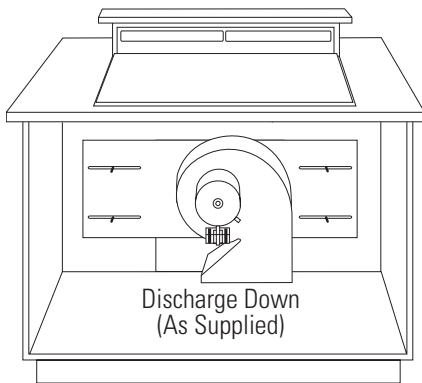
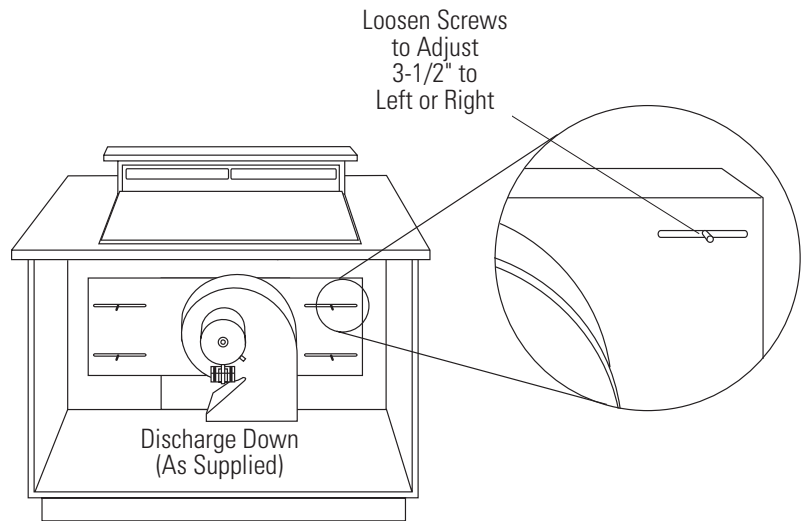
# Installation Preparation

## VENTING OPTIONS

- The downdraft vent is shipped with the discharge outlet pointing straight down and can be changed to the left or right side.
- The blower outlet is sized for 3-1/4" x 10" and can be transitioned to 6" round.

### Side-to-Side Adjustments:

The entire blower mounting plate can be adjusted 3-1/2" to the left or right. This will help to align vent discharge to house ductwork.



### Discharge Direction

The blower assembly may be removed and turned 90° for a left- or right-side discharge.

- A left or right 90° direction adjustment should be performed before dropping into the countertop opening.
- Flatten the shipping box to use as a pad.
- Lay the vent on its back and onto the pad.

### To change to a left or right discharge:

- Remove the 4 screws holding the blower to the mounting plate assembly. Retain screws.
- Remove blower assembly; turn it over to access the 4 nuts holding the blower to the mounting plate. Remove the nuts.

**IMPORTANT:** Do not lift motor by the power cable.

- Turn the blower to the left or right discharge direction and reinstall the 4 nuts.
- Reinstall blower and mounting plate with original screws.

### To locate the ductwork holes in the cabinet floor or side walls:

- Temporarily place vent into the countertop opening.
- Push the vent all the way to the back of the opening.
- If you are transitioning to 6" round (obtained locally), place transition piece over the discharge outlet.
- Mark the location and remove the assembly.
- Cut holes and install ductwork connections.
- Order JXRB67 for installation of the blower and motor below the floor.
- Order JXBC67 for installation of the blower and motor outdoors.

# Installation Preparation

## DUCT FITTINGS

Use 3-1/4" x 10" duct. It can transition to 6" round.

Use this chart to compute maximum permissible lengths for duct runs to outdoors.





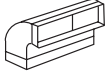
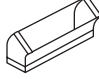
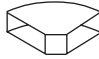





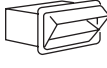

**NOTE:** Do not exceed maximum permissible equivalent lengths!

**Downdraft Vent:**  
**150' maximum equivalent length**

**Flexible ducting:**  
If flexible metal ducting is used, all the equivalent feet values in the table should be doubled. The flexible metal duct should be straight and smooth and extended as much as possible.

DO NOT use flexible plastic ducting.

**NOTE:** Any home ventilation system, such as a cooktop with a downdraft exhaust mechanism, may interrupt the proper flow of combustion air and exhaust required by fireplaces, gas furnaces, gas water heaters and other naturally vented systems. To minimize the chance of interruption of such naturally vented systems, follow the heating equipment manufacturer's guidelines and safety standards such as those published by NFPA and ASHRAE.

Duct Piece	Dimensions	Equivalent Length*	Quantity Used	Total Equivalent Length
	6" round, straight	1 ft. (per foot length)		
	3-1/4" x 10" straight	1 ft. (per foot length)		
	6" 90° elbow	12 ft.		
	6" 45° elbow	7 ft.		
	3-1/4" x 10" 90° elbow	14 ft.		
	3-1/4" x 10" 45° elbow	8 ft.		
	3-1/4" x 10" 90° flat elbow	33 ft.		
	6" round to 3-1/4" x 10" transition	2 ft.		
	3-1/4" x 10" round to 6" transition	2 ft.		
	6" round to 3-1/4" x 10" transition 90° elbow	4 ft.		
	3-1/4" x 10" to 6" round transition 90° elbow	4 ft.		
	6" round wall cap with damper	24 ft.		
	3-1/4" x 10" wall cap with damper	24 ft.		
	6" round roof cap	33 ft.		

\*Actual length of straight duct plus duct fitting equivalent. Equivalent length of duct pieces is based on actual tests conducted by GE Evaluation Engineering and reflect requirements for good venting performance with any downdraft cooktop.

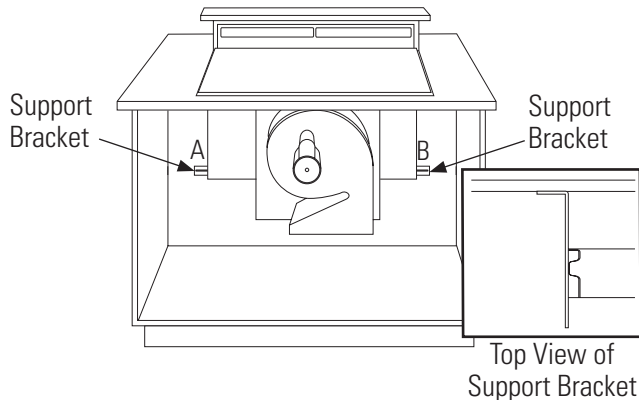
Total Duct Run \_\_\_\_\_

# Installation Instructions

## 1 INSTALL DOWNDRAFT VENT

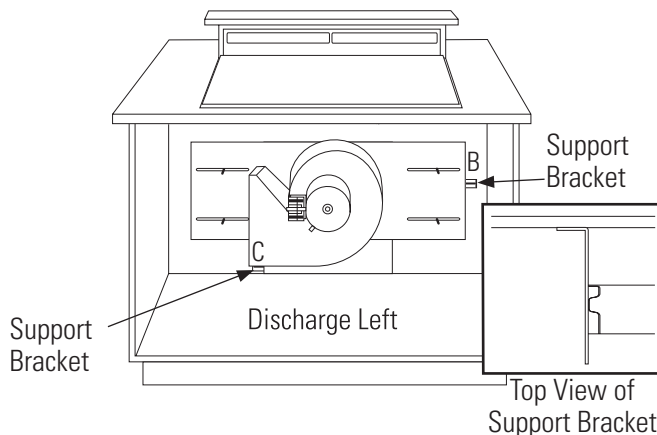
Place the downdraft vent into the countertop cutout, against the back side.

### Bracket location for right-side or straight-down blower discharge

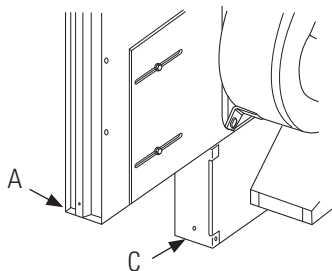


- Locate the brackets and attachment screws. On some models, the attachment screws may be placed on the control box in position A or B.
- Fasten one bracket to each side rail, position A and B, and secure to the cabinet back wall.

### Bracket location for left-side blower discharge



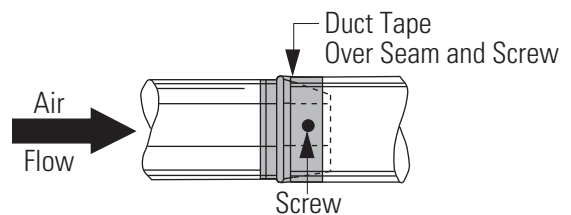
- Locate the brackets and attachment screws. On some models, the attachment screws may be placed on the control box in position A or B.
- Use location C on the control box instead of location A for left discharge orientation of the blower.
- When installing in a tile countertop surface, it may be necessary to apply a locally approved caulking to cover any gaps.



## 2 INSTALL DUCTWORK

- The downdraft blower system is designed for use with 3-1/4" x 10" ductwork. It can be transitioned to 6" round.
- Ductwork **MUST** be vented to the outside—never in a crawl space, attic or other enclosed space.
- 6" PVC duct should be used when installing under a concrete slab.

**NOTE:** Local building code must be followed for installation in specifying approved type and schedule of PVC duct used.



- **DO NOT USE** flexible plastic ducting.
- Always use appropriate roof or wall cap with damper. Laundry-type wall caps should never be used.
- Use the straightest duct run possible.
- For satisfactory performance, the duct run should not exceed 150 ft. or its equivalent length when bends or various fittings are used. Refer to the table of equivalent lengths to calculate your installation.
- Install ductwork so the piece of duct nearest the downdraft unit slots **INTO** the next piece of the duct. Secure the joints with self-tapping screws and apply duct tape around the joints to ensure an airtight seal.

# Installation Instructions

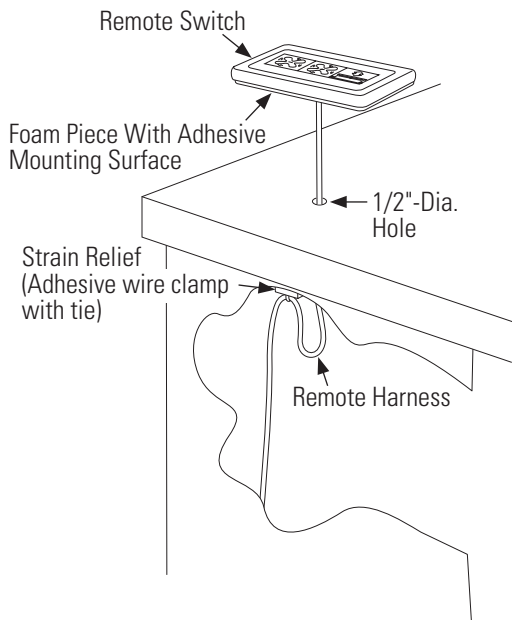
## 3 INSTALL CONTROL SWITCH (on some models)

Skip this step if there is no separate control switch.

### ⚠ WARNING:

Disconnect electrical power from unit before beginning switch installation. Failure to do so could result in personal injury or damage to the electrical controls.

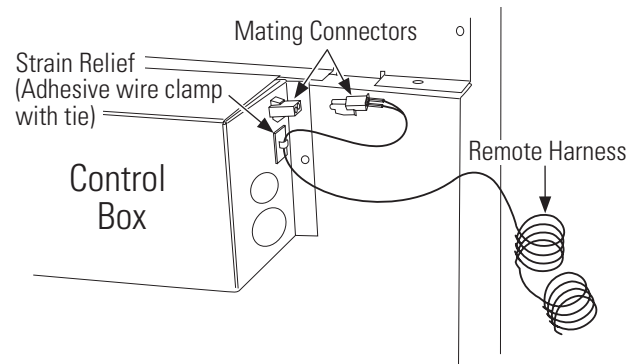
Determine the location for the control switch.  
The wiring lead is 68" long.



- Drill a 1/2"-dia. hole into the desired location. Use the mounting bracket as a template to locate the hole accurately. Check for interference between the switch cover, adjacent objects and cooktop/vent overlaps.
- If switch is mounted into a tile surface, drill the hole between tiles. Use locally approved caulking to cover any gaps.

### Connect Control Switch to Remote Harness

- Thread the remote harness through the 1/2"-dia. hole and attach the harness connector to the remote connector.
- Remove the paper backing on the foam piece and mount the remote trim on the countertop such that the switch connectors stay located in the 1/2"-dia. hole.
- Stick adhesive wire clamp near the 1/2"-dia. hole and attach the loose wire with a wire tie.



### Connect Wire Lead to Control Box

- Connect the mating wire ends.
- Place the adhesive wire clamps (provided) near the mating connector.
- Keep approximately 3"-long wire and attach the wire to the clamp with a wire tie. This will act as a strain relief.

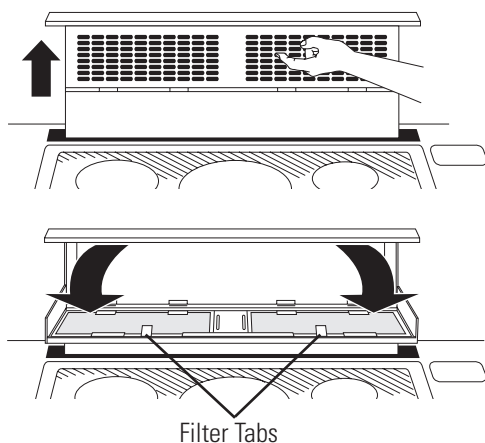
# Installation Instructions

## 4 CONNECT POWER

Plug power cord into properly grounded receptacle.

## 5 INSTALL FILTERS, CHECK OPERATION

- Press and hold the ON/OFF pad on the control to raise the vent.
- Slip fingers into the vent holes. Lift the vent straight up and then down.
- Slide filter into the retainers and close the vent.
- Press the Fan Speed HIGHER pad to start the blower. Adjust the blower by pressing HIGHER or LOWER. The blower, if left on, will automatically turn off when the vent is lowered.



**NOTE:** It is not necessary to turn the fan OFF before lowering the vent. The fan will automatically turn off when the vent is lowered. When the fan is not turned off before lowering the vent, it will automatically come on at the previously set speed when the vent is fully raised.

To lower the vent, press the ON/OFF pad.

**IMPORTANT:** The vent can be activated by pressing the pads on the switch. Do not use excessive force or sharp objects to activate the switch. Damage could occur and void the warranty.

## CLEANING

### Painted or Stainless Steel Surfaces

To clean the stainless steel or painted surfaces, use warm, sudsy water or a stainless steel cleaner or polish.

The filters should be washed by hand. Do not clean filters in the dishwasher.

# Notes

---

# Notes

---

**NOTE:** While performing installations described in this book, safety glasses or goggles should be worn.

**NOTE:** Product improvement is a continuing endeavor at General Electric. Therefore, materials, appearance and specifications are subject to change without notice.

31-10728  
09-09 JR



**GE Consumer & Industrial**  
Appliances  
General Electric Company  
Louisville, KY 40225  
GEAppliances.com





**GE Consumer & Industrial**  
Appliances  
General Electric Company  
Louisville, KY 40225  
GEAppliances.com

**NOTA:** Mientras efectúa las instalaciones descritas en este libro, deben utilizarse gafas o lentes de seguridad.

**NOTA:** La mejora de los productos es un esfuerzo continuo para General Electric. Por lo tanto, los materiales, la apariencia y las especificaciones pueden sufrir cambios sin previo aviso.





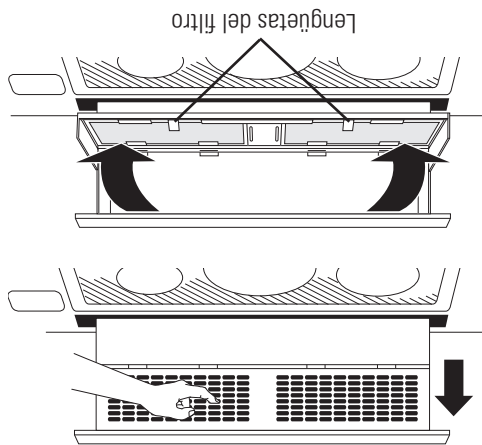
# Instrucciones de instalación

## 4 CONECTE LA ENERGÍA

Enchufe el cable de energía en un tomacorriente con adecuada conexión a tierra.

## 5 INSTALE LOS FILTROS Y CONTROLE EL FUNCIONAMIENTO

- Presione y sostenga el botón ON/OFF (encendido/apagado) del control para subir la ventilación.
- Coloque los dedos dentro de los orificios de ventilación. Levante la ventilación hacia arriba y luego hacia abajo.
- Deslice el filtro dentro de las trabas y cierre la ventilación.
- Presione el botón HIGHER (más alta) de la velocidad del ventilador para accionarlo. Ajuste la velocidad del ventilador presionando HIGHER (más alta) o LOWER (más baja). Si se lo deja encendido, el ventilador se apagará automáticamente cuando se baje la ventilación.



**NOTA:** No hace falta apagar (OFF) el ventilador antes de bajar la ventilación. El ventilador se apagará automáticamente cuando se baje la ventilación. Cuando no se apague el ventilador antes de bajar la ventilación, se encenderá automáticamente a la velocidad determinada con anterioridad, cuando la ventilación se levante por completo.

Para bajar la ventilación, presione el botón ON/OFF (encendido/apagado).

**IMPORTANTE:** La ventilación puede activarse presionando los botones del interruptor. No ejerza una fuerza excesiva ni utilice objetos afilados para activar el interruptor. Pueden producirse daños que invalidan la garantía.

## LIMPIEZA

### Superficies pintadas o de acero inoxidable

Para limpiar superficies pintadas o de acero inoxidable, utilice agua tibia jabonosa o un limpiador o lustrador para acero inoxidable.

Los filtros deben lavarse a mano. No lave los filtros en el lavavajillas.

# Instrucciones de instalación

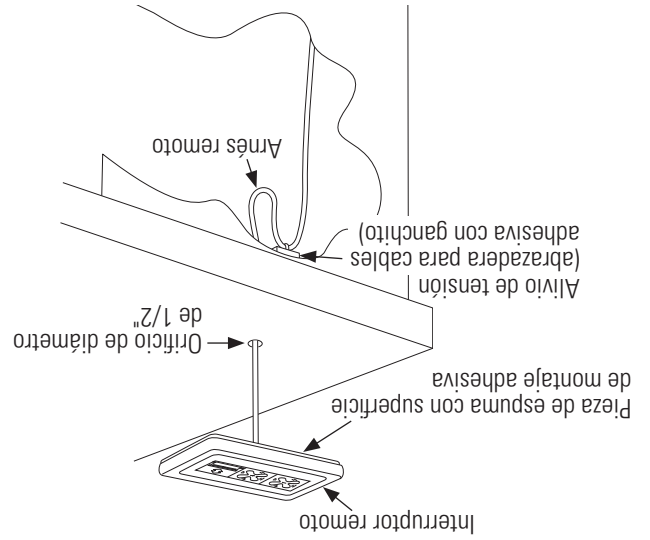
## 3 INSTALE EL INTERRUPTOR DE CONTROL (en algunos modelos)

Saltee este paso si no cuenta con un interruptor de control separado.

### ⚠ ADVERTENCIA:

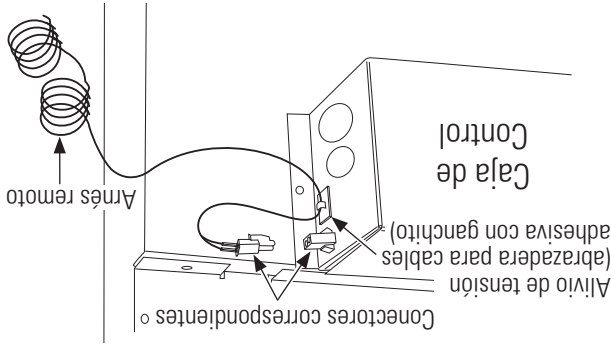
Desconecte la energía eléctrica de la unidad antes de comenzar la instalación del interruptor. No hacerlo puede provocar una lesión personal o daños a los controles eléctricos.

Establezca la ubicación del interruptor de control. El cable tiene una longitud de 68".



- Perfore un orificio de un diámetro de 1/2" en la ubicación deseada. Utilice el soporte de montaje como una plantilla para ubicar el orificio correctamente. Controle que no haya interferencia entre la cubierta del interruptor, los objetos cercanos y las superposiciones de la estufa/ventilación.
- Si se instala un interruptor en una superficie de cerámica, perfore los orificios entre las cerámicas. Utilice calafateo aprobado en forma local para cubrir orificios.

- Pase el arnés remoto a través del orificio de 1/2" de diámetro y sujete el conector del arnés al conector remoto.
- Quite el recubrimiento de papel de la pieza de espuma e instale el reborde remoto sobre el mostrador de encimera de modo que los conectores del interruptor queden ubicados en el orificio de 1/2" de diámetro.
- Pegue la abrazadera adhesiva para cables cerca del orificio de 1/2" de diámetro y fije el cable suelto con un gancho para cables.



### Conecte el cable a la caja de control

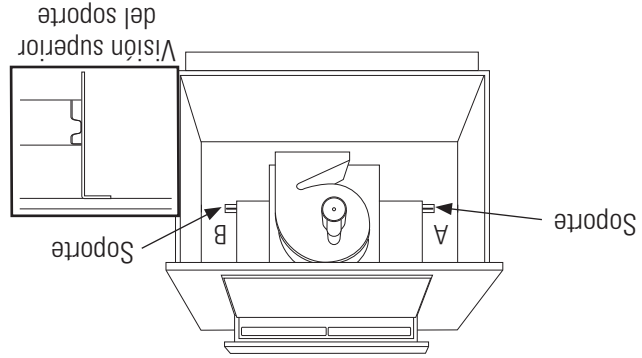
- Conecte los cables correspondientes.
- Coloque las abrazaderas para cables adhesivas (provisas) cerca del conector correspondiente.
- Mantenga aproximadamente un cable de 3" de largo y sujete el cable a la abrazadera con un gancho para cables. Esto funciona como un alivio de tensión.

# Instrucciones de instalación

## 1 INSTALE LA VENTILACIÓN DE CORRIENTE DESCENDENTE

Coloque la ventilación de corriente descendente dentro del recorte del mostrador de encimera, contra el lado trasero.

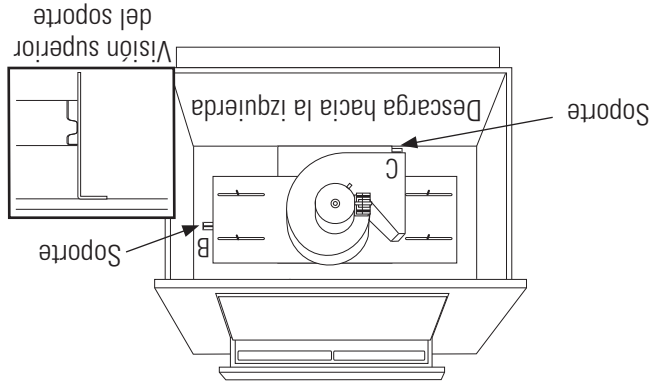
### Ubicación del soporte para descarga del ventilador hacia la derecha o hacia abajo



- Ubique los soportes y los tornillos de sujeción. En algunos modelos, los tornillos de sujeción pueden colocarse en la caja de control en la posición A o B.

- Sujete un soporte en cada riel lateral, posición A y B, y fije a la pared trasera del gabinete.

### Ubicación del soporte para descarga del ventilador hacia la izquierda



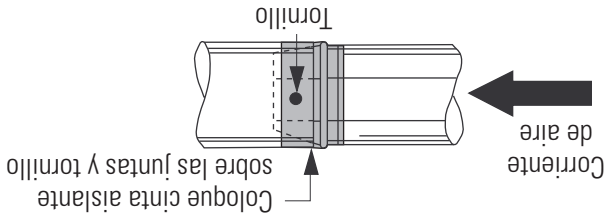
- Ubique los soportes y los tornillos de sujeción. En algunos modelos, los tornillos de sujeción pueden colocarse en la caja de control en la posición A o B.

- Utilice la ubicación C de la caja de control en lugar de la ubicación A para la descarga con orientación hacia la izquierda del ventilador.

- Cuando se realice la instalación en un mostrador de encimera de cerámica, puede ser necesario aplicar calafateo (aprobado en forma local) para cubrir orificios.

## 2 INSTALE LOS CONDUCTOS

- El sistema de ventilación de corriente descendente se encuentra diseñado para funcionar con un conducto de 3-1/4" x 10". Puede conectarse a un conducto de 6".
  - Los conductos DEBEN tener salida al exterior, nunca deben dirigirse a un espacio entre pisos, un ático u otro espacio cerrado.
  - Cuando realice una instalación debajo de un bloque de concreto, debe usarse un conducto de 6" de PVC.
- NOTA:** Debe seguirse el código de construcción local para la instalación del tipo y Schedule aprobados del conducto de PVC utilizado.



- NO USE conductos flexibles de plástico.

- Siempre use las cubiertas de pared o los casquete de techo adecuados con un regulador de tiro. Nunca deben usarse cubiertas de pared del tipo para lavadero.

- Utilice el recorrido de conductos más recto posible.

- Cuando se utilizan curvas y varios accesorios, y para un desempeño satisfactorio, el recorrido de los conductos no debe superar los 150 pies o su longitud equivalente. Consulte la tabla de longitudes equivalentes para calcular su instalación.

- Instale los conductos de modo que el conducto más cercano a la unidad de corriente descendente se enganche DENTRO de la pieza

siguiente del conducto. Fije las juntas con tornillos auto-rosantes y aplique cinta aislante alrededor de las juntas para asegurar un sellado hermético.

# Preparación para la instalación

## ACCESORIOS DE CONDUCTOS

Utilice esta tabla para calcular las longitudes máximas permitidas para recorridos de conductos hacia el exterior.

Utilice un conducto de 3-1/4" x 10". Puede conectarse con un conducto de 6".

**NOTA:** No supere las longitudes equivalentes máximas permitidas!

### Ventilación de corriente descendente:

**Longitud equivalente máxima de 150'**

### Conductos flexibles:

Si se utilizan conductos flexibles de metal, todos los valores equivalentes en pies de la tabla deben duplicarse. El conducto flexible de metal debe ser recto y liso y debe extenderse lo máximo posible.

NO USE conductos flexibles de plástico.

### NOTA:

Cualquier sistema de ventilación doméstico, como una estufa con un mecanismo de escape de corriente descendente, puede interrumpir el flujo adecuado de aire de combustión y de escape requerido para chimeneas, hornos a gas, calentadores de agua a gas y otros sistemas de ventilación natural. Para minimizar las posibilidades de interrupción de tales sistemas de ventilación natural, siga las pautas y normas de seguridad del fabricante del equipo de calefacción, tales como NFPA y ASHRAE.

Longitud Equivalente	Cantidad Utilizada	Longitud Equivalente*	Pieza de Conducto	Dimensiones	Equivalente*	Longitud Equivalente Total
1 pie		1 pie		Redondo y recto de 6"	(por longitud de pie)	
1 pie		1 pie		Recto de 3-1/4" x 10"	(por longitud de pie)	
6"		12 pies		Codo de 90°		
6"		7 pies		Codo de 45°		
14 pies		14 pies		3-1/4" x 10" Codo de 90°		
8 pies		8 pies		3-1/4" x 10" Codo de 45°		
33 pies		33 pies		3-1/4" x 10" Codo plano de 90°		
2 pies		2 pies		Redondo de 3-1/4" x 10" a transición		
2 pies		2 pies		Redondo de 3-1/4" x 10" a transición		
4 pies		4 pies		Redondo de 6" a transición 3-1/4" x 10"		
24 pies		24 pies		Cubierta de pared redonda de 6" con regulador de tiro		
24 pies		24 pies		Cubierta de pared redonda de 6" con regulador de tiro		
33 pies		33 pies		Casquete de techo redondo de 6"		

\*Longitud real del conducto recto más equivalente de accesorio de conducto. La longitud equivalente de las piezas de conductos se encuentra basada en pruebas reales realizadas por el grupo de Ingeniería de Evaluación de GE y reflejan los requisitos para un buen desempeño de ventilación con cualquier estufa de corriente descendente.

Recorrido total de los conductos

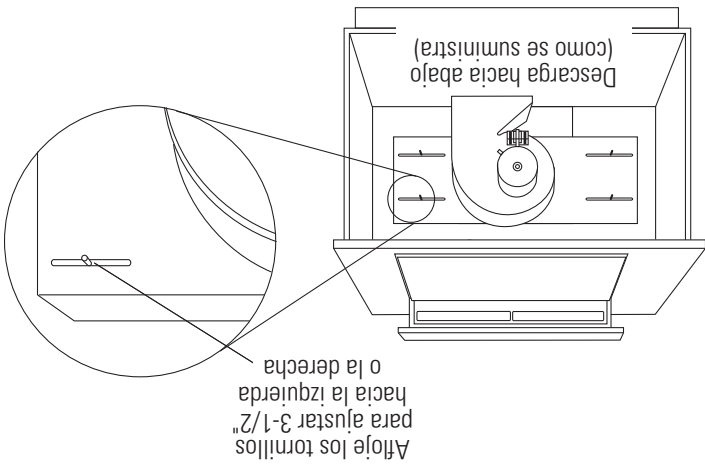
# Preparación para la instalación

## OPCIONES DE VENTILACIÓN

- La ventilación de corriente descendente se envía con la salida de descarga apuntando hacia abajo y puede girarse hacia la derecha o la izquierda.
- La boca de salida del ventilador tiene un tamaño de 3-1/4" x 10" y puede conectarse a un conducto redondo de 6".

### Ajustes laterales:

La placa de montaje del ventilador puede ajustarse en 3-1/2" hacia la izquierda o la derecha. Esto ayudará a alinear la descarga de la ventilación con el conducto de la vivienda.



## Dirección de descarga

El montaje del ventilador puede quitarse y girarse 90° para realizar una descarga hacia la izquierda o la derecha.

- Debe efectuarse el ajuste de dirección de 90° hacia la derecha o la izquierda antes de colocar el aparato en la abertura del mostrador de encimera.
- Aplaste la caja de envío para usarla como una almohadilla.
- Coloque la ventilación sobre su parte trasera encima de la almohadilla.

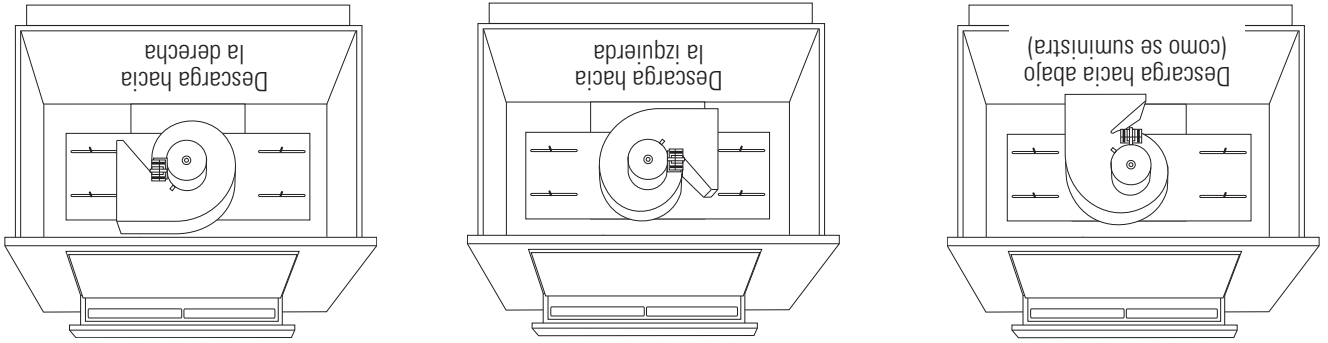
## Para cambiar una descarga hacia la izquierda o derecha:

- Quite los 4 tornillos que sostienen el ventilador a la placa de montaje. Conserve los tornillos.
- Quite el montaje del ventilador, gírelo para poder acceder a las 4 tuercas que sostienen el ventilador a la placa de montaje. Quite las tuercas.
- **IMPORTANT:** No levante el motor tomándolo del cable de energía.
- Gire el ventilador con la dirección de descarga hacia la izquierda o derecha y vuelva a instalar las 4 tuercas.
- Vuelva a instalar el ventilador y la placa de montaje con los tornillos originales.

## Cómo ubicar los orificios de los conductos en el piso del gabinete o en las paredes laterales:

- En forma temporal coloque la ventilación dentro de la abertura del mostrador de encimera.
- Empuje la ventilación hasta el fondo de la abertura.
- Si usted va a realizar una conexión con un conducto redondo de 6" (se obtiene en forma local), coloque la pieza de transición sobre la boca de salida.
- Marque la ubicación y quite el montaje.
- Corte los orificios e instale las conexiones de los conductos.

- Solicite el kit JXR67 para la instalación del ventilador y el motor debajo del piso.
- Solicite el kit JXRC67 para la instalación del ventilador y el motor en el exterior.





## Preparación para la instalación

### SUMINISTRO DE ENERGÍA

#### ⚠️ ADVERTENCIA:

PARA SEGURIDAD PERSONAL, ESTE APARATO DEBE CONECTARSE A TIERRA DE MANERA ADECUADA.

Quite el fusible o abra el interruptor de circuitos antes de comenzar la instalación.

No utilice un cable de extensión o un enchufe adaptador con este artefacto. Siga el Código

Eléctrico Nacional o los códigos y ordenanzas

locales vigentes.

Esta ventilación de corriente descendente debe

contar con un suministro de 120V, 60Hz, y debe estar conectada a un circuito derivado individual

con adecuada conexión a tierra y debe contar con la protección de un interruptor de circuito o un

fusible con retraso de 15 o 20 amperios.

#### Estufas a gas

Si la ventilación se instala en combinación con una estufa a gas GE o Monogram, ésta puede funcionar

con el mismo tomacorriente doble.

#### Estufas eléctricas

Si esta ventilación se instala en combinación con

una estufa eléctrica GE o Monogram, ésta debe

funcionar en un tomacorriente individual de 120V.

• Debe ubicarse un tomacorriente de 3 clavijas con

conexión a tierra dentro del alcance del cable de

energía de la ventilación, que posee una longitud

de dos pies.

• Ubique el tomacorriente dentro del gabinete sobre

la pared del lado derecho. El tomacorriente no

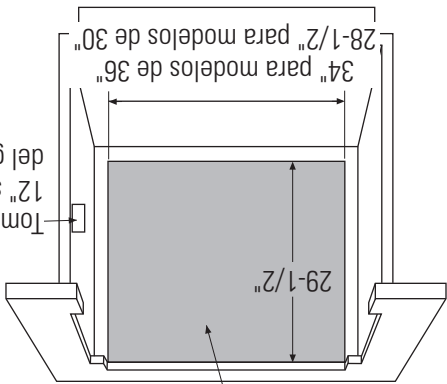
puede ubicarse en la pared trasera del gabinete

porque pueden interferir con la cámara de

corriente descendente. Ver la ilustración.

Verifique que la estufa esté instalada según las

instrucciones de instalación del fabricante.



No ubique las conexiones de gas o electricidad dentro del área sombreada

Tomacorriente  
12" sobre el piso  
del gabinete

## IMPORTANTE

(Tenga a bien leer cuidadosamente).

El cable eléctrico de este aparato está equipado

con un enchufe de tres clavijas (conexión a tierra)

que engancha con un tomacorriente estándar de

pared de tres clavijas con conexión a tierra para

minimizar la posibilidad de descarga eléctrica. El

cliente debe hacer que un electricista calificado

controle el tomacorriente de pared y el circuito

para verificar que tengan una conexión a tierra

adecuada y la polaridad correcta.

• Para el uso de este artefacto, es responsabilidad

y obligación del consumidor cambiar un

tomacorriente de pared estándar de dos clavijas

por uno de tres clavijas con adecuada conexión

a tierra.

**Bajo ninguna circunstancia corte o quite**

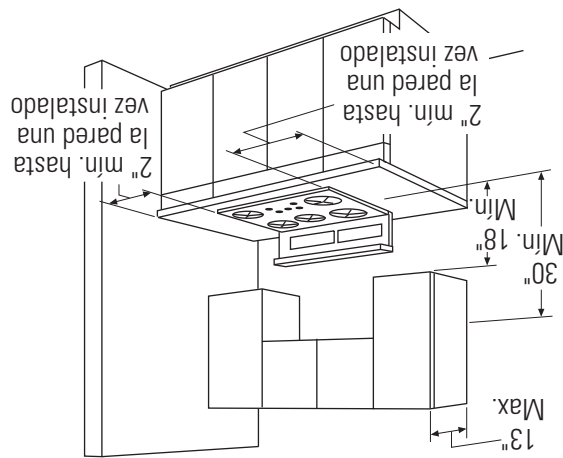
**la tercera pata (a tierra) del cable eléctrico.**

NO UTILICE UN CABLE DE EXTENSIÓN.

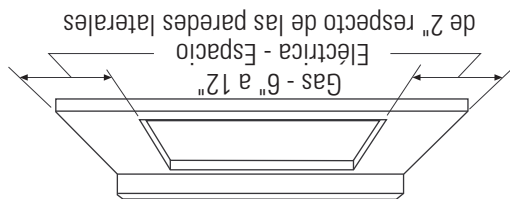
# Preparación para la instalación

## ESPACIOS

**PRECAUCIÓN:** El revestimiento de las paredes, las mesadas y los gabinetes deben poder soportar el calor de hasta 200° generado por una estufa.



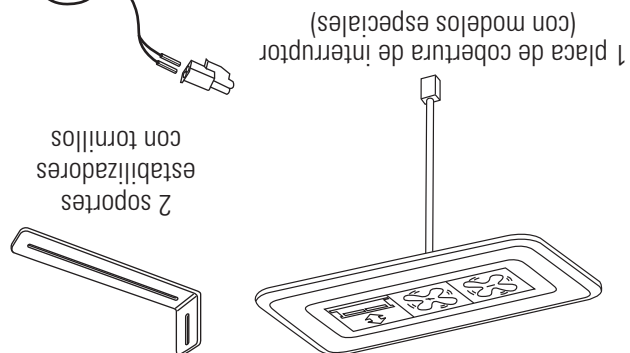
Espacios de estufas eléctricas una vez instaladas



Espacios de estufas a gas una vez instaladas

## PIEZAS SUMINISTRADAS

Abra la caja y quite el paquete de las piezas. Controle el contenido para verificar la presencia de todas las piezas.



## HERRAMIENTAS Y MATERIALES REQUERIDOS

- Destornillador plano grande
- Sierra de vaivén
- Regla de carpintero
- Conductos para toda la instalación

## QUITE EL ENVOLTORIO

- Quite los materiales de envío y la caja; separe la caja. La caja puede usarse como una almohadilla al cambiar o ajustar la dirección de la ventilación.

## Preparación para la instalación

### RECORTES Y ESPACIOS

- Mida con mucho cuidado cuando corte el mostrador de encimera. Verifique que los lados de la abertura estén paralelos y que los cortes trasero y frontal sean exactamente iguales a los lados.
- Mida para asegurar que haya espacio en dirección al borde frontal del mostrador de encimera.
- Consulte las instrucciones de instalación de la estufa para verificar que los modelos entren en los gabinetes base que se están utilizando.
- Trace líneas sobre el mostrador de encimera para usar como una guía de corte. Mida y marque las superposiciones de la estufa y la ventilación para verificar que haya suficiente profundidad de mostrador de encimera plano.

### ESTUFA DE 30"/CORRIENTE DESCENDENTE

La estufa debe instalarse según las instrucciones de instalación del fabricante.

**IMPORTANTE:** El recorte del mostrador de encimera requiere una superficie mínima plana de 23-1/2" y una profundidad mínima total de 25".

**NOTA:** Antes de comenzar, mida y marque la profundidad para garantizar que haya una superficie adecuada de mostrador de encimera.

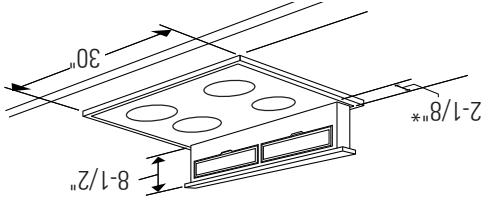
- Trace líneas sobre el mostrador de encimera para usar como una guía de corte.
- Verifique que los lados de la abertura estén paralelos y que los cortes trasero y frontal sean exactamente perpendiculares (ángulos rectos) a los lados.

### ESTUFA DE 36"/CORRIENTE DESCENDENTE

**IMPORTANTE:** El recorte del mostrador de encimera requiere una superficie mínima plana de 23-1/2" y una profundidad mínima total de 25".

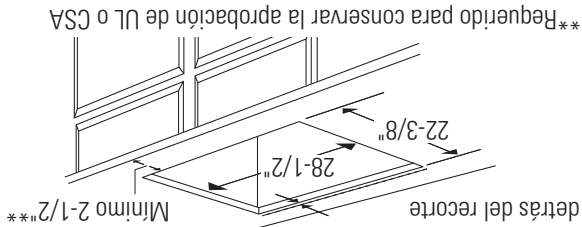
**NOTA:** Antes de comenzar, mida y marque la profundidad para garantizar que haya una superficie adecuada de mostrador de encimera.

- Trace líneas sobre el mostrador de encimera para usar como una guía de corte.
- Verifique que los lados de la abertura estén paralelos y que los cortes trasero y frontal sean exactamente perpendiculares (ángulos rectos) a los lados.

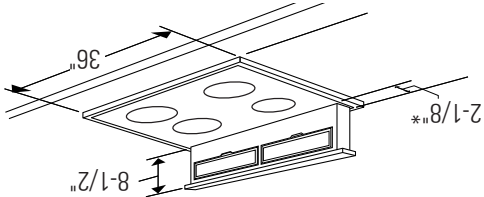


\*Incluye una brécha de 1/8" entre la estufa y el reborde de la ventilación

Se requiere un mínimo de 3/8" de mostrador de encimera detrás del recorte

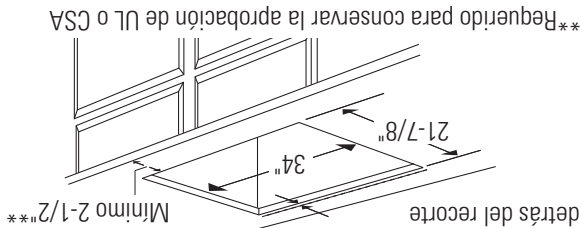


\*\*Requerido para conservar la aprobación de UL o CSA



\*Incluye una brécha de 1/8" entre la estufa y el reborde de la ventilación

Se requiere un mínimo de 3/8" de mostrador de encimera detrás del recorte



\*\*Requerido para conservar la aprobación de UL o CSA

## Espacios

- El sistema de corriente descendente con ventilador, motor y conducto ocupa el gabinete ubicado debajo del mostrador de encimera y la estufa.
  - El montaje de ventilador/motor puede ubicarse debajo del piso del gabinete. El montaje calza entre vigas de piso de 16". Solicite el kit JXRBB67 para ubicaciones remotas en el interior.
  - El montaje de ventilador y motor también puede instalarse en el exterior. Solicite el kit JXBC67 para instalaciones remotas de ventilador en el exterior.
  - Consulte la sección *Espacios* para información sobre la ubicación adecuada y los espacios necesarios al planificar la instalación.
  - Consulte las instrucciones de instalación específicas de la estufa para otros espacios adecuados.
  - Cuando sea posible, no instale gabinetes directamente sobre la superficie de cocción. Si se instalan gabinetes sobre la superficie de cocción:
    - Utilice gabinetes de una profundidad no mayor a los 13".
    - Mantenga un espacio mínimo de 30" entre la estufa y los gabinetes sin protección ubicados directamente sobre la estufa.
    - Si el espacio es menor a los 30", proteja los lados inferiores de los gabinetes con cartón con retardo de llama de un grosor de por lo menos 1/4" o una placa de yeso de por lo menos 3/16" cubierta con una placa de metal de calibre 28 o de cobre de un grosor de .02".
    - El espacio entre la estufa y los gabinetes protegidos no debe ser menor a los 24".
- EXCEPCIÓN:** La instalación de un horno de microondas listado o aparato de cocción sobre la estufa deberá cumplir con las instrucciones de instalación incluidas con el aparato.
- Las áreas de trabajo adyacentes a la estufa deben contar con un espacio mínimo de 18" entre el mostrador de encimera y la base de los gabinetes.
  - La instalación debe cumplir con los códigos locales.

## Conductos

- Prepare los conductos para que tengan salida al exterior.
- Utilice el recorrido de conductos más corto y más recto posible.
- La longitud máxima permisible para un recorrido de conductos es de 150 pies.
- Consulte la tabla de "Accesorios de conductos" para calcular la longitud equivalente de diferentes configuraciones de conductos.
- El sistema de ventilación de corriente descendente se encuentra diseñado para funcionar con un conducto de 3-1/4" x 10". Puede conectarse a un conductor redondo de 6".
- Los conductos DEBEN tener salida al exterior, nunca dentro de un espacio entre pisos, ático u otro espacio cerrado.
- Establezca la necesidad de una cubierta de pared o casquete de techo. Solicítelos con anterioridad.

## Ubicación del suministro de gas y electricidad

- Planifique con cuidado la ubicación del suministro eléctrico y de gas (si se fuera a utilizar). Las salidas de gas o de electricidad no pueden ubicarse en la pared trasera del gabinete porque pueden interferir con la cámara de la corriente descendente.
- Instale un tomacorriente estándar dentro del alcance del cable de energía de la ventilación, que posee una longitud de dos pies.
- La ventilación y una combinación de estufas a gas GE o Monogram pueden utilizar el mismo tomacorriente doble estándar de 120 voltios.
- Las estufas eléctricas deben conectarse en una caja de conexiones individual de 240 voltios.

## PLANIFICACIÓN PREVIA

### Interruptor remoto

Los modelos Monogram de 30" y 36" y el modelo Profile de 36" cuentan con un interruptor individual para subir/bajar. Instale el interruptor en una ubicación conveniente fuera del recorte de ventilación/estufa.

### Ventilación de corriente descendente y recorte de la estufa

La instalación de estas ventilaciones de corriente descendente con cualquier estufa GE o Monogram requiere una cuidadosa consideración. Antes de comenzar, analice las ilustraciones con combinaciones de recortes de la página 6.

### Requisitos del mostrador de encimera

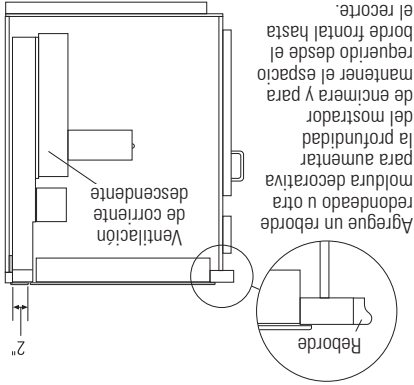
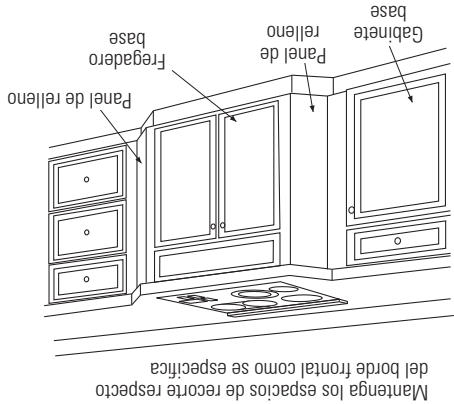
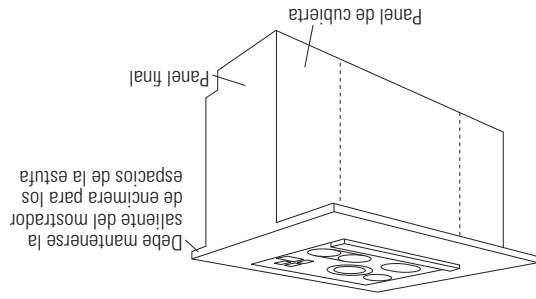
El mostrador de encimera debe contar con una superficie plana y profunda para que entren la estufa y la ventilación. Los mostradores de encimera con borde frontal y salpicadero laminados no ofrecerán la superficie plana requerida.

### Requisitos de gabinete base

El gabinete base debe ser lo suficientemente profundo para que haya un espacio mínimo respecto del frente del mostrador de encimera, de la caja del quemador de la estufa y de la ventilación.

## Soluciones creativas

- Cuando el diseño de la cocina requiere una instalación sobre la pared, desplace el gabinete base hacia adelante unos 3" a 5". Pueden agregarse paneles de relleno o molduras complementarias a los costados expuestos del gabinete.
- En una isla o península, utilice un mostrador de encimera de profundidad extra. La saliente de la mesada del frente puede ajustarse para cumplir con los requisitos de retranqueo y de recorte.
- Cuando el requisito del recorte del borde frontal del mostrador de encimera es mayor a los 2", agregue un recorte redondeado en el borde frontal del mostrador de encimera. Cuando mida el borde frontal del recorte, incluya el grosor del recorte. Al agregar el recorte, la estufa puede desplazarse hacia adelante, brindando profundidad adicional al mostrador de encimera y espacio interior en el gabinete.



### Antes de comenzar la instalación:

1. Analice las ilustraciones de las dimensiones del mostrador de encimera para asegurar que haya una superficie plana adecuada.
  2. Verifique que la profundidad total requerida del mostrador de encimera (incluyendo recorte mínimo respecto de la profundidad del borde frontal) incluya el espacio suficiente para un salpicadero.
  3. Revenga la ilustración del gabinete. Verifique que haya suficiente profundidad en el gabinete interior para la caja del quemador de la estufa, la ventilación y el espacio de recorte desde el frente.
  4. Cuando el mostrador de encimera y la profundidad del gabinete presentan un problema, consulte la sección *Soluciones creativas*.
  5. Lea este libro por completo para planificar detalladamente la ubicación de la instalación, los espacios y los requisitos de los conductos.
- Mediante una planificación cuidadosa, usted puede lograr un estilo singular con ajustes mínimos.

## CONTENIDOS

### Información de diseño

Dimensiones del producto ..... 3

Accesorios ..... 3

Planificación previa ..... 4, 5

### Preparación para la instalación

Espacios libres ..... 6, 7

Piezas suministradas ..... 7

Herramientas y materiales requeridos ..... 7

Quite el envoltorio ..... 7

Suministro de energía ..... 8

Opciones de ventilación ..... 9

Accesorios de conductos ..... 10

### Instrucciones de instalación

Paso 1, Instale la ventilación de corriente descendente ..... 11

Paso 2, Instale los conductos ..... 11

Paso 3, Instale el interruptor de control ..... 12

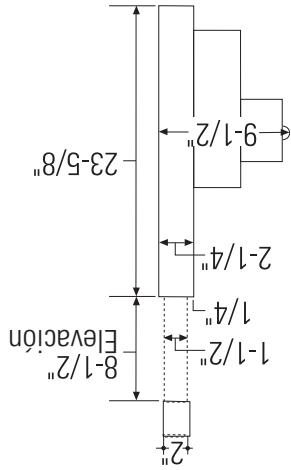
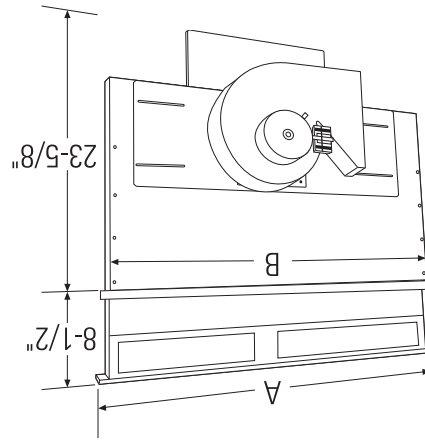
Paso 4, Conecte la energía ..... 13

Paso 5, Instale los filtros, controle el funcionamiento ..... 13

Limpieza ..... 13

## DIMENSIONES DEL PRODUCTO

	A	B
Modelos de 30"	30"	28-5/16"
Modelos de 36"	36"	33-15/16"



## ACCESORIOS

**JXR67** – Accesorio opcional para ubicación remota en el interior del montaje de ventilador/motor. Utilice este kit cuando el montaje de ventilador y motor se ubique fuera del gabinete, como debajo del piso del gabinete.

**JXBC7** – Accesorio opcional de cubierta para exteriores para una instalación remota del montaje del ventilador y motor en una pared externa.

**⚠️ ADVERTENCIA: PARA REDUCIR EL RIESGO DE INCENDIO, DESCARGA ELÉCTRICA O LESIONES A PERSONAS, CUMPLA CON LOS SIGUIENTES PUNTOS.**

**A.** Utilice esta unidad sólo de la manera concebida por el fabricante. Si tiene alguna pregunta, comuníquese con el fabricante.

**B.** Antes de realizar reparaciones o limpiar la unidad, desconecte la energía del panel de servicio y bloquee los medios de desconexión para evitar el accionamiento de la energía de manera accidental. Cuando los medios de desconexión de servicio no pueden bloquearse, colóquese sobre el panel de servicio un dispositivo de advertencia bien visible, como una etiqueta.

- No intente reparar o cambiar ninguna pieza del sistema de ventilación de corriente descendente a menos que esté específicamente recomendado en este manual. Cualquiera otra clase de servicio técnico debe realizarlo un técnico calificado.
- Sólo para uso de ventilación general. No lo utilice para ventilar materiales o vapores peligrosos o explosivos.
- El trabajo de instalación y el cableado eléctrico deben realizarlo personas calificadas en cumplimiento con todos los códigos y normas aplicables, incluyendo la construcción con clasificación para incendios.

**⚠️ PRECAUCIÓN:** Para reducir el riesgo de incendio y para eliminar el aire de escape correctamente, asegúrese de dirigir el aire del conducto hacia el exterior. No dirija el aire de escape hacia espacios dentro de paredes o cielorrasos o en áticos, huecos sanitarios o garajes.

**ANTES DE COMENZAR**  
 Lea estas instrucciones por completo y con detenimiento.

- **IMPORTANTE** – Guarde estas instrucciones para el uso de inspectores locales.
- **IMPORTANTE** – Cumpla con todos los códigos y ordenanzas vigentes.
- **Nota al instalador** – Asegúrese de dejar estas instrucciones con el consumidor.
- **Nota al consumidor** – Conserve estas instrucciones para referencia futura.
- **Nivel de capacidad** – La instalación de estas ventilaciones requiere capacidades mecánicas y eléctricas básicas.
- **Tiempo de finalización** – de 1 a 3 horas.

- El instalador tiene la responsabilidad de efectuar una instalación adecuada. La garantía no cubre las fallas del producto debido a una instalación incorrecta.

Si ha recibido una ventilación dañada, usted debe comunicarse de inmediato con su vendedor o constructor.

**Para servicio técnico local Monogram en su área,**  
 1.800.444.1845.  
**Para servicio técnico Monogram en Canadá,**  
 1.800.561.3344.  
**Para piezas y accesorios Monogram,**  
 llame al 1.800.626.2002.

**⚠️ ADVERTENCIA:**  
 Este aparato debe contar con una adecuada conexión a tierra.

**⚠️ ADVERTENCIA:**  
 UTILICE CONDUCTOS DE METAL.



# Instrucciones de instalación

Sistemas de ventilación de corriente  
descendente

PVB37  
PVB67  
PVB94  
PVB98  
ZVB30  
ZVB36



## Free Manuals Download Website

<http://myh66.com>

<http://usermanuals.us>

<http://www.somanuals.com>

<http://www.4manuals.cc>

<http://www.manual-lib.com>

<http://www.404manual.com>

<http://www.luxmanual.com>

<http://aubethermostatmanual.com>

Golf course search by state

<http://golfingnear.com>

Email search by domain

<http://emailbydomain.com>

Auto manuals search

<http://auto.somanuals.com>

TV manuals search

<http://tv.somanuals.com>