

ZV830SM

GE Monogram® 30" Wall-Mounted Vent Hood

Dimensions and Installation Information (in inches)

This vent hood is designed to be installed on a wall and vented to the outdoors, or it can be installed for recirculating operation. All necessary parts for recirculating operation are supplied with the hood. No kits required. Must use an 8" round duct, not supplied with product.

A decorative duct cover is provided to enclose the duct from the top of the hood to a 8' to 10' ceiling.

Accessories:

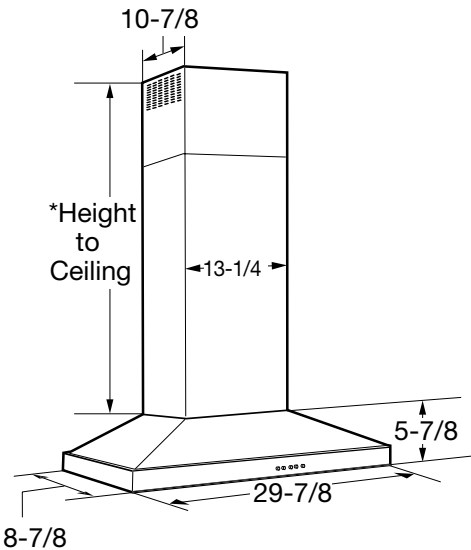
An optional stainless steel duct cover is available for 12' ceiling heights. Order ZX83012 optional duct cover at the same time as the vent hood and have on site before installation.

Dimensions and Clearances:

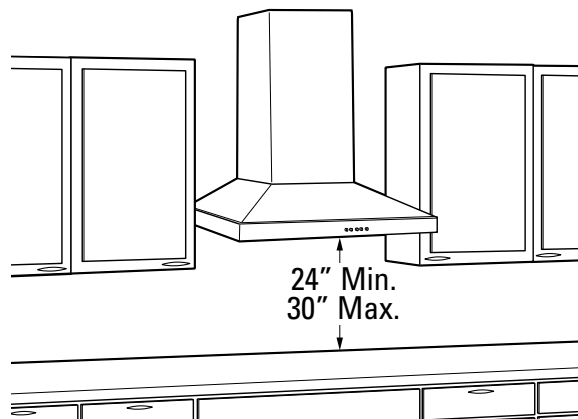
The vent hood should be installed 24" min. and 30" max. above the cooking surface. The cooking surface should be at least 36" above the floor. Installation will be easier if the vent hood is installed before the range or cooktop/countertop is installed.

This hood can be installed over a Monogram electric or gas cooktop. It cannot be installed over a Monogram professional cooktop or range.

Installation Information: Before installing, consult installation instructions packed with product or available on monogram.com for current dimensional data.



*The Supplied Duct Cover Fits 8' to 10' Ceiling Heights.



For answers to your Monogram®, GE Profile™ or GE® appliance questions, visit our website at ge.com or call GE Answer Center® service, 800.626.2000.



imagination at work



Listed by
Underwriters
Laboratories

Specification Created 11/07

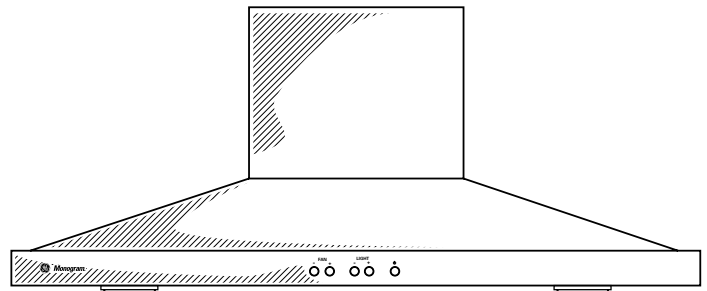
130675

ZV830SM

GE Monogram® 30" Wall-Mounted Vent Hood

Features and Benefits

- Stainless Steel Design - Creates a striking architectural impression with bold angles and smoothly finished edges
- Powerful Ventilation - Offers three speeds plus a 500-cfm boost to capture cooking fumes produced by 30" cooktops
- Perimeter Filter System - Draws fumes and vapors around a stainless steel center panel, which completely and stylishly conceals filters
- Halogen Lighting - Provides four levels of clean, brilliant illumination to suit the cooking task or occasion
- Recirculating-Ready Design - Includes reversible duct covers for non-vented installations, eliminating the need for an optional kit
- Model ZV830SMSS - Stainless steel



Warranty Information:

- Parts Warranty: Limited 1-year entire appliance
- Labor Warranty: Limited 1-year entire appliance
- Warranty Notes: See written warranty for full details



imagination at work

Specification Created 11/07

130675

Free Manuals Download Website

<http://myh66.com>

<http://usermanuals.us>

<http://www.somanuals.com>

<http://www.4manuals.cc>

<http://www.manual-lib.com>

<http://www.404manual.com>

<http://www.luxmanual.com>

<http://aubethermostatmanual.com>

Golf course search by state

<http://golfingnear.com>

Email search by domain

<http://emailbydomain.com>

Auto manuals search

<http://auto.somanuals.com>

TV manuals search

<http://tv.somanuals.com>