



# Microwave

FFMV154CL S

Featuring Bake & Brown Convection



## Signature Features

### Bake & Brown Convection Option

10 Preset Temperature/One-Touch buttons from 100 to 425 degrees so you can bake and brown in your microwave.

### Multi-Stage Cooking

Our Multi-Stage Cooking option allows you to program power levels and cooking times in advance, so you can program it to defrost, cook and keep a meal warm all at once.

### Bake & Microwave Option

One-touch button combines the speed and freshness of microwave cooking with baking in your microwave.

### Ready-Select™ Controls

Easily select options with the touch of a button.

## Over-The-Range

### Product Dimensions

Height	16-13/32"
Width	29-7/8"
Depth	15-1/32"

### More Easy-To-Use Features

#### Two-Speed Ventilation

Over-the-range microwave doubles as a hood with two fan speeds.

#### Extra-Large 13-1/2" Diameter Glass Turntable

#### 2 Metal Cooking Racks

#### 10 Cooking Power Levels

#### Auto-Reheat Options

#### Control Lock Option

#### Electronic Clock & Timer

#### Vent Filters

Dishwasher-safe.

#### Auto-Start Heat Sensor Vent Fan

#### Ductless Vent Installation Option Included

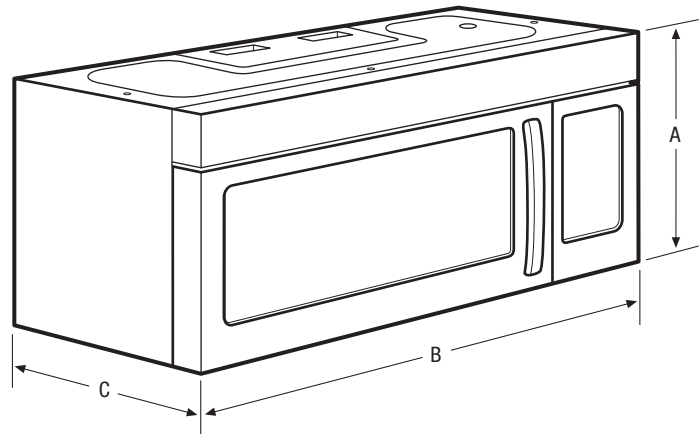
#### Attractive Stainless Steel Exterior

Available in:



Stainless  
(S)

<b>Features</b>	
Control/ Timing System	Ready-Select™
Exterior Door Finish	Stainless Steel
Handle Design	Stainless Steel
Microwave Capacity (Cu.Ft.)	1.5
Convection	Bake & Brown Convection
Watts (IEC-705 Test Procedure)	900
Interior Light	Yes
Interior Color	Stainless Steel
Turntable Diameter	13-1/2"
Turntable On/Off	
Control Lock	Yes
Clock	Yes
Touch Pad Buttons	26
Power Levels	High (1-9)
Accessory Metal Rack	2
<b>Microwave Control Options</b>	
Popcorn Button	Yes
Chicken Nugget Button	
Baked Potato Button	Yes
Sensor Reheat Button	
Snack Button	
Beverage	Yes
Auto Melt/ Soften Options	
Auto Reheat Options	3
Snack Menu Options	
Auto Cook Options	
Auto Defrost Options	Weight/Time
Multi-Stage Cooking Option	Yes
Keep Warm	
Add-30-Seconds	Yes
Sensor Cooking Options	
Vegetable Cook Sensor	
Delay Start	
User Preferences	
<b>Ventilation System</b>	
Ducted/Ductless Installation Option	Yes
Exhaust Fan (CFM)	2-Speed 170/300
Cooktop Light	Yes
Auto-Start Heat Sensor	Yes
Dishwasher-Safe Vent Filter (Ductless Installation)	Yes
<b>Power Ratings</b>	
Frequency (Mhz)	2,450
Watts @ 120 Volts	1,550
Amps @ 120 Volts	15
<b>Optional Accessories</b>	
36" Stainless Steel Trim Kit	PN# 5304463784
36" White Trim Kit	
36" Black Trim Kit	
<b>Specifications</b>	
Oven Interior (HxWxD)	8-7/8" x 20-1/4" x 13-15/32"
Power Supply Connection Location	Right Top Rear
Voltage Rating	120V/60Hz/15A
Connected Load (kW Rating) @ 120 Volts <sup>1</sup>	1.4
Minimum Circuit Required (Amps)	15
Shipping Weight (Approx.)	69



NOTE: For planning purposes only. Always consult local and national electric codes. Refer to Product Installation Guide for detailed installation instructions on the web at [frigidaire.com](http://frigidaire.com).



Product Dimensions	
A - Height	16-13/32"
B - Width	29-7/8"
C - Depth	15-1/32"

Cutout Dimensions	
Height (Min.)	16-3/4"
Height (Max.)	17"
Width (Min.)	30"
Depth (Min.)	12"
Depth (Max.)	13"

<sup>1</sup>For use on adequately wired 120V, dedicated circuit having 2-wire service with a separate ground wire. Appliance must be grounded for safe operation.

Accessories information available on the web at [frigidaire.com](http://frigidaire.com)

FRIGIDAIRE

USA • 10200 David Taylor Drive • Charlotte, NC 28262 • 1-800-FRIGIDAIRE • [frigidaire.com](http://frigidaire.com)

CANADA • 5855 Terry Fox Way • Mississauga, ON L5V 3E4 • 1-800-265-8352 • [frigidaire.ca](http://frigidaire.ca)

FFMV154CL 07/10

Specifications subject to change.

Printed in the U.S.A.

## Free Manuals Download Website

<http://myh66.com>

<http://usermanuals.us>

<http://www.somanuals.com>

<http://www.4manuals.cc>

<http://www.manual-lib.com>

<http://www.404manual.com>

<http://www.luxmanual.com>

<http://aubethermostatmanual.com>

Golf course search by state

<http://golfingnear.com>

Email search by domain

<http://emailbydomain.com>

Auto manuals search

<http://auto.somanuals.com>

TV manuals search

<http://tv.somanuals.com>