

Fisher & Paykel

Designer wall canopy
HT90DBX1 model

**Installation instructions
and User guide**

Contents

Safety and warnings	1
Unpacking your wall canopy	3
Preparing to install	4
Installation instructions	4
Operating your wall canopy	8
Cleaning and maintenance	9
Warranty information	11
Wiring diagram	12

Important!

SAVE THESE INSTRUCTIONS

The models shown in this User Guide may not be available in all markets and are subject to change at any time. For current details about model and specification availability in your country, please visit our local website listed on the back cover or contact your local Fisher & Paykel dealer.

⚠ WARNING!**Electrical Shock Hazard**

All electrical work must be done in accordance with local and/or national electrical codes as applicable. For safety, this product must be earthed. If you are unfamiliar with methods of installing electrical wiring, employ the services of a qualified electrician. Turn off power at service entrance before installing wiring or servicing this product.

⚠ WARNING!**28.5 kg****Weight Hazard**

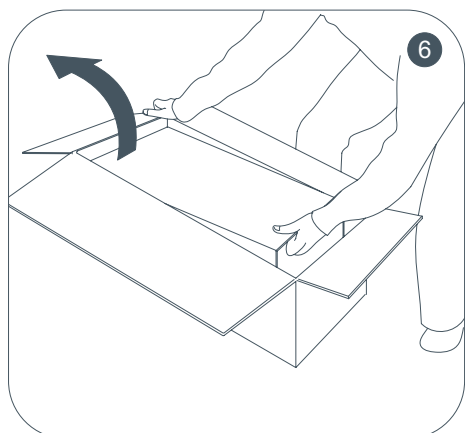
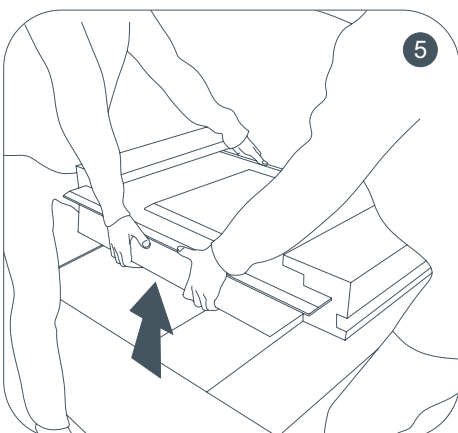
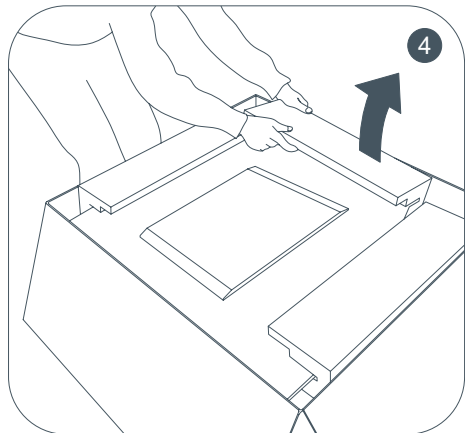
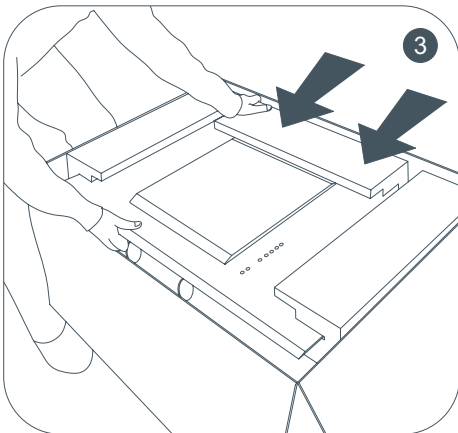
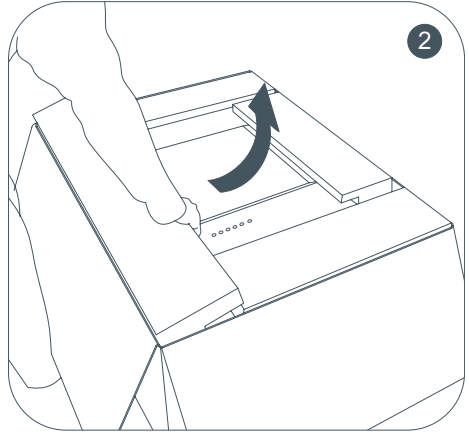
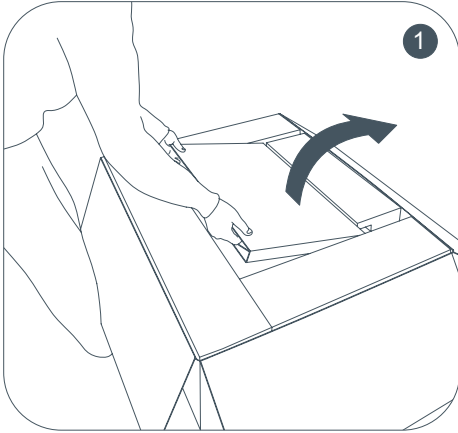
The wall canopy is heavy. Please ensure adequate care is taken when installing the wall canopy to prevent personal injury. The wall canopy must be installed onto a solid wall, stud, beam or truss. Weight of the product is 28.5 kg.

Important safety precautions

- *Please read the entire set of instructions before installing the wall canopy.*
- *Ducting accessories are not supplied. All ducting must comply with local requirements and building codes.*
- *Before connecting any pipes, consult municipal ordinances to ensure that any applicable regulations concerning the discharge of exhaust air are adhered to and request permission from the person in charge of the building.*
- *Exhaust air must not be discharged into an existing flue that is used for exhausting fumes from appliances burning gas or other fuels.*
- *There must be adequate ventilation of the room when the wall canopy is used at the same time as appliances burning gas or other fuels. (A partial vacuum in the room could result in too high a concentration of gas in the air).*
- *When the canopy is turned on at the same time as other appliances powered by energy other than electricity, the air outlet must not be greater than 4 Pa (4x10⁻⁵ bar).*
- *The minimum distance between the cooktop surface and the filters of the wall canopy shall be 600 mm, or 650 mm if installed over a gas cooktop.*
- *Stainless steel is very easily damaged during installation if abraded or knocked by tools. It is recommended to protect the top of the canopy with cardboard or polystyrene during the installation to minimise the risk of damage occurring.*
- *To comply with electrical safety regulations, this canopy must be plugged into a socket near the appliance. The socket must be accessible, or have an accessible isolating switch, to enable the end user to isolate the canopy from the power for the purpose of internal cleaning or maintenance.*
- *A power outlet should be within 750 mm of the motor assembly and can be either on the wall, behind the chimney or in the ceiling.*
- *Always switch the power off prior to installation, servicing or cleaning the wall canopy.*
- *If the supply cord of this equipment is damaged it must only be replaced by the manufacturer, its service agent or similarly qualified person in order to avoid a hazard.*

2 Safety and warnings

- *Children must be supervised to ensure that they do not play with the hood.*
- *This canopy is not designed to be used by people (including children) with reduced physical, sensorial or mental capacity, or who lack experience or knowledge about it, unless they have had supervision or instructions on how to use the hood by someone who is responsible for their safety.*
- *You must read the details concerning the method and frequency of cleaning.*
- *There is a fire risk if cleaning is not carried out in accordance with the instructions.*
- *Never leave frying food unattended since grease can overheat and catch fire. The risk of fire is even greater in the case of used oil.*
- *Do not flambé under the wall canopy.*
- *Never use the wall canopy without the filters in place.*
- *During climatic conditions causing electrical interference, it is possible that the device may stop working. By switching the device OFF and ON the device will resume normal operation safely.*
- *During an electrostatic discharge (ESD) it is possible that the device will stop working. By switching the device OFF and ON the device will again work as intended. There is no risk and no risk will appear.*



4 Installation instructions

Please read this instruction manual carefully in order to obtain the best results from the use of the wall canopy.

If you need any technical help or would like more information about our products, please do not hesitate to contact your local Fisher & Paykel retailer.

Preparing the wall canopy for installation

Before installing your wall canopy:

- Please read the instructions carefully.
- Unpack the canopy and check that all functions are working.
- Ensure that the voltage (V) and the frequency (Hz) indicated on the serial plate match the voltage and frequency at the installation site.
- Check that the area behind the installation surface to be drilled is clear of any electrical cables or pipes, etc.
- The stainless steel and glass surfaces of the canopy are very easily damaged during installation if grazed or knocked by tools. Please take care to protect the surfaces during installation.
- Protect the cooktop surface below with cardboard, or the like, to prevent damage occurring whilst the wall canopy is being installed above.

The manufacturer shall not be liable for failure to observe all safety regulations in force for the correct and normal operation of electrical parts.

Ducting options

Recirculation

To recirculate your wall canopy, please purchase a recirculation kit (part no. 791820). The recirculation kit is required to channel the air out through the side-vents at the top of the flue.

Note: a ducting hole is not required in the wall or ceiling if a recirculation kit is fitted.

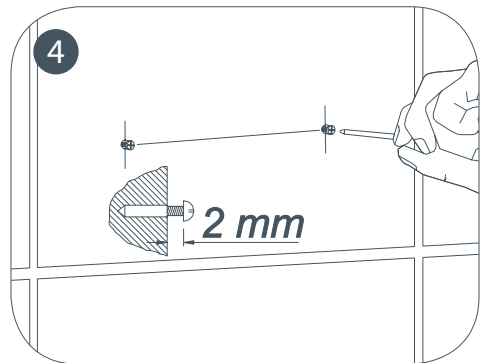
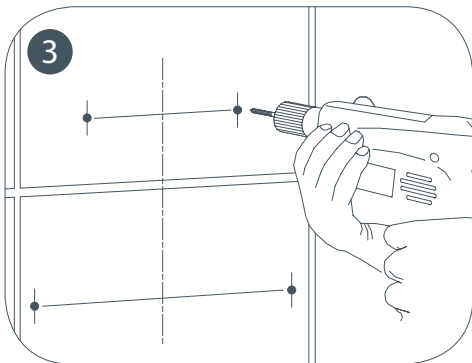
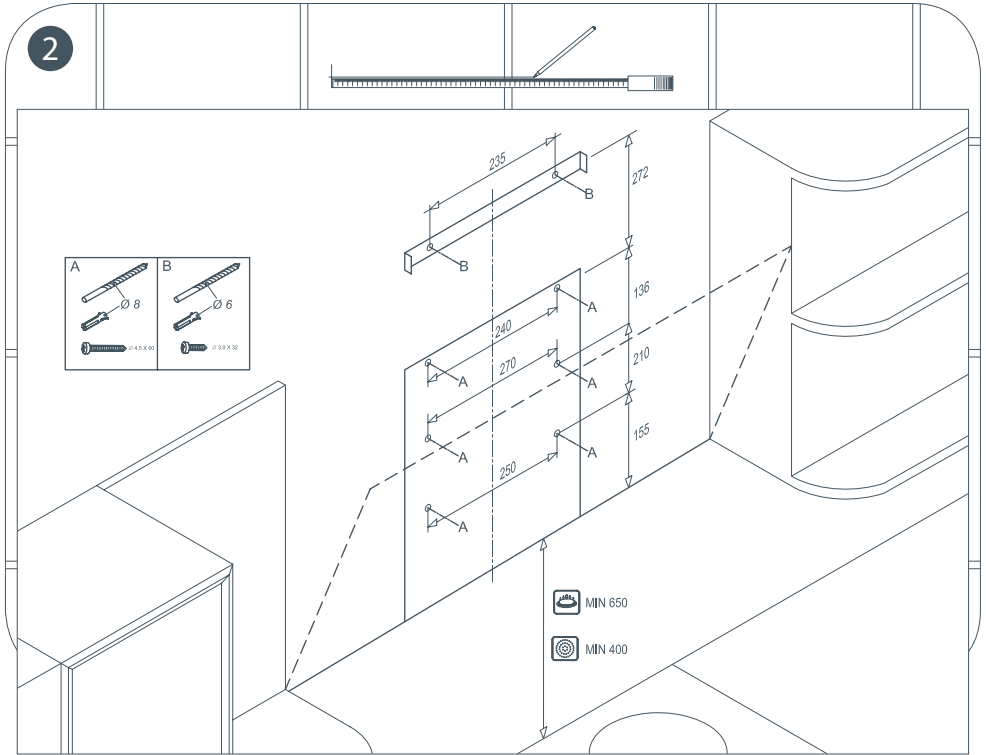
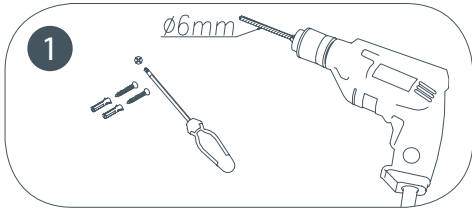
Ducting

For ducted installation, it is recommended that you use 150 mm diameter, rigid or semi-rigid ducting. This will require a 160 mm (min) round hole in the ceiling, which the decorative chimney will cover. Care should be taken to align the canopy with the decorative chimney allowing sufficient clearance to accommodate the ducting.

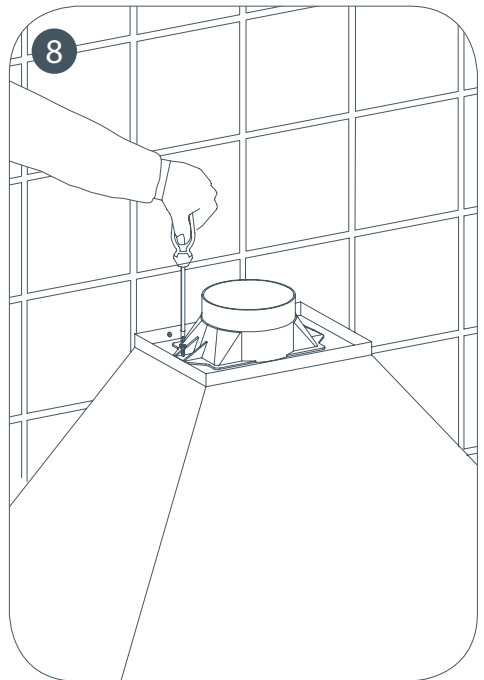
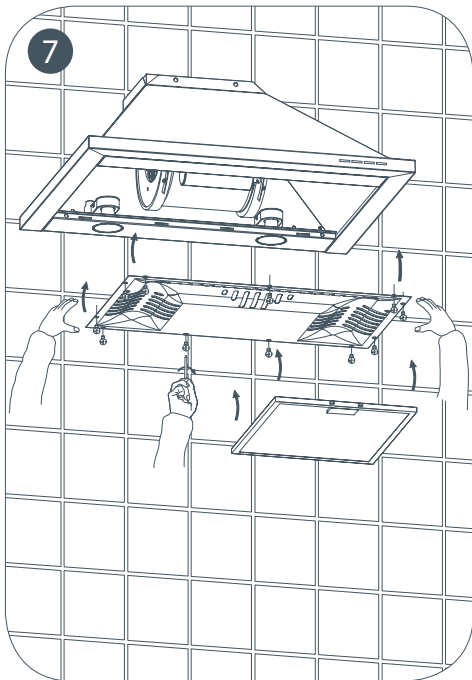
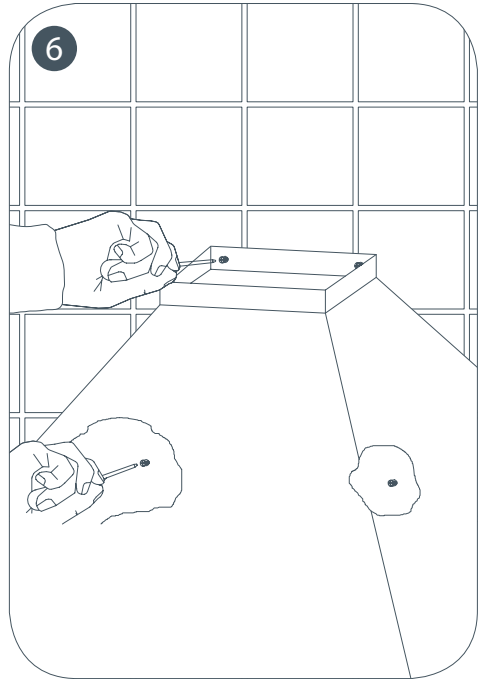
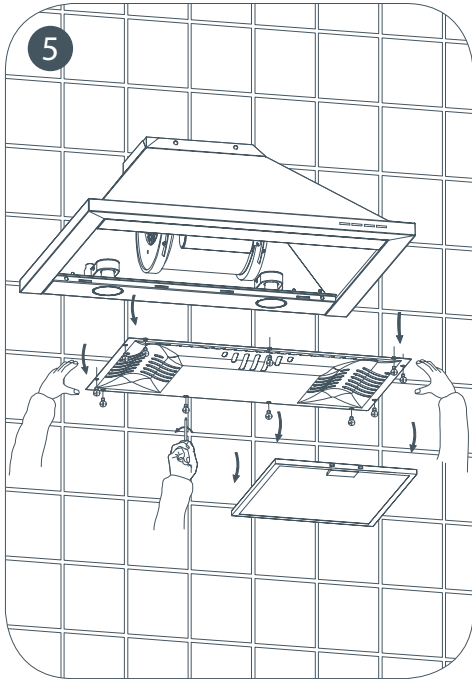
For optimal efficiency, use smooth-wall, solid galvanized or plastic ducting for reduced noise and increased airflow. Flexible ducting should only be used as a last resort (ie in difficult installations) and if used, ensure that it is pulled tight.

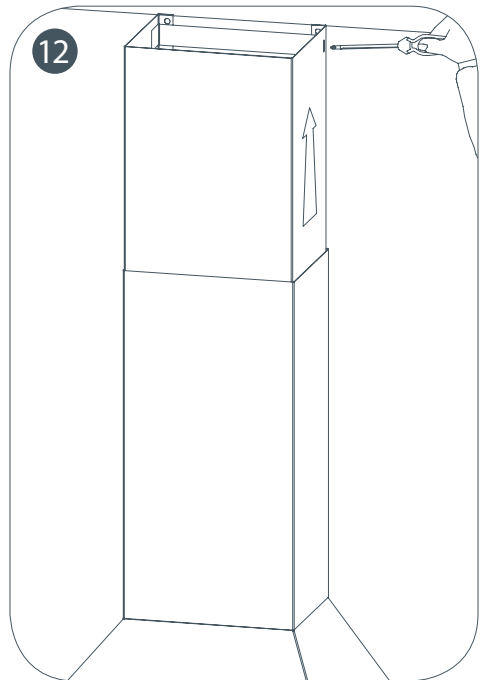
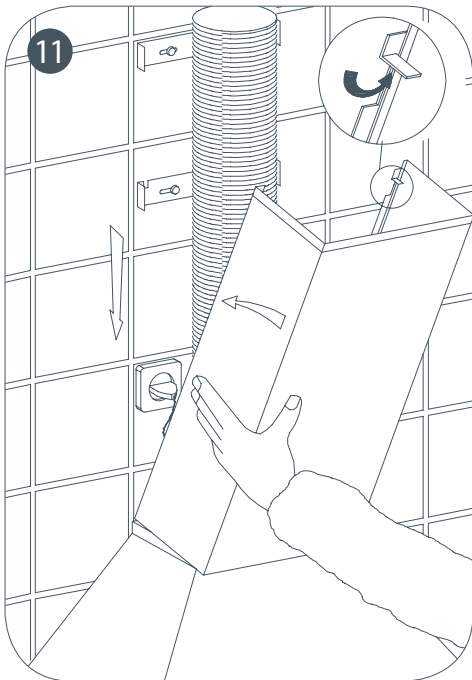
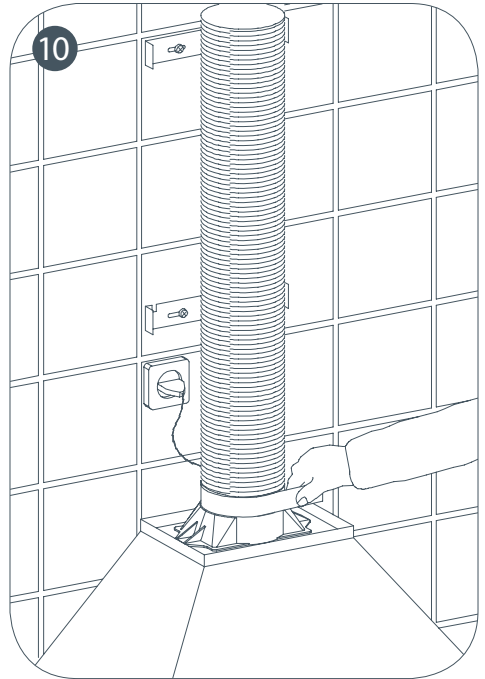
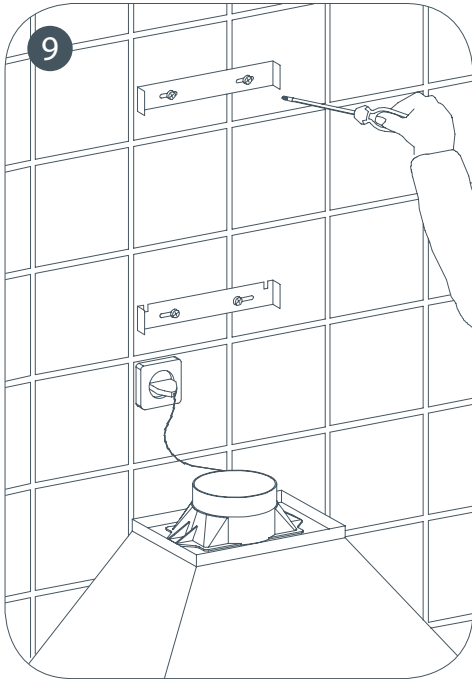
The smoother, straighter and shorter the ducting the quieter and more efficient the wall canopy will perform.

All ducting must comply with local requirements and building codes.



6 Installation instructions






Touch control panel

This panel is located on the front part of the hood and includes the following functions:

- Filter cleaning alert indicator (ref. A).
Activated regularly as a reminder of the need to clean filters and deactivated with a single press.
- Timer button (ref. B).
The fan will operate for 15 minutes before automatically turning off.
- Light button (ref. C).
Turns the lights ON and OFF. Press and hold button to adjust the level of light.
- Power ON/OFF (ref. D).
- Fan speed buttons (1st, 2nd, 3rd and 4th speed) (Ref. E).

Using the automatic timer

To operate the automatic timer:

- 1 Select the fan speed.
- 2 Press the  button for two seconds until the LED light blinks.
- 3 The timer will work for 5 minutes at the current speed and 5 minutes at each of the lower speeds until coming to a complete stop. At the end of this time, the motor will stop and the light will go out.

To cancel the timer: press the timer button once and the motor will stop.

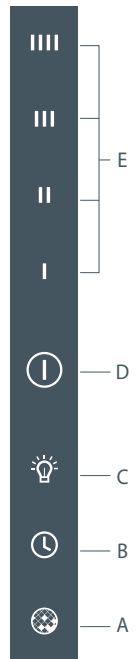


Fig.1 Touch control panel

Important!

Never use abrasive or oil based cleaners

Maintenance

Before performing any cleaning or maintenance on your wall canopy, ensure that the power supply is switched OFF to the hood.

The wall canopy should be cleaned regularly using a mild, liquid detergent to avoid a build up of grease occurring. Grease deposits are corrosive which can damage to your wall canopy.

Note: in areas of high humidity or coastal environments, cleaning should be carried out frequently.

Aluminium filters

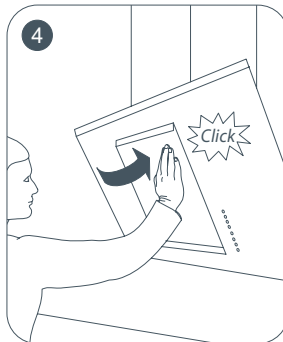
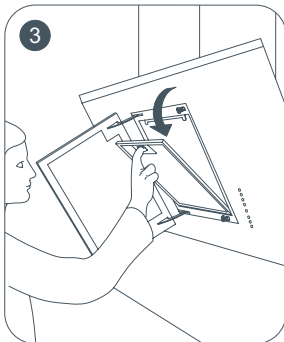
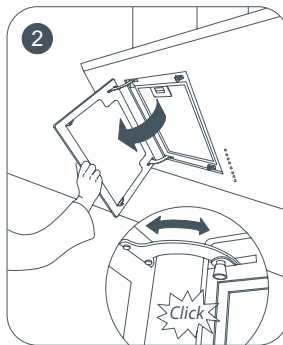
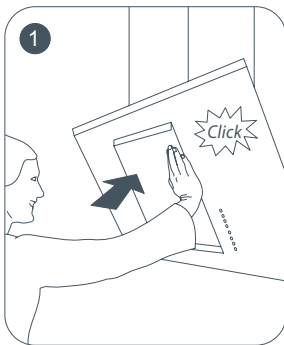
Depending on use, and at least once a month, the aluminium grease filters should be removed and cleaned in a dishwasher or with hot soapy water.

If washed in a dishwasher, the filters should be placed in an upright position to prevent food from falling on them.

After rinsing and drying, replace the filters by reversing the following instruction for removal.

Note: some discolouration of the frames may occur.

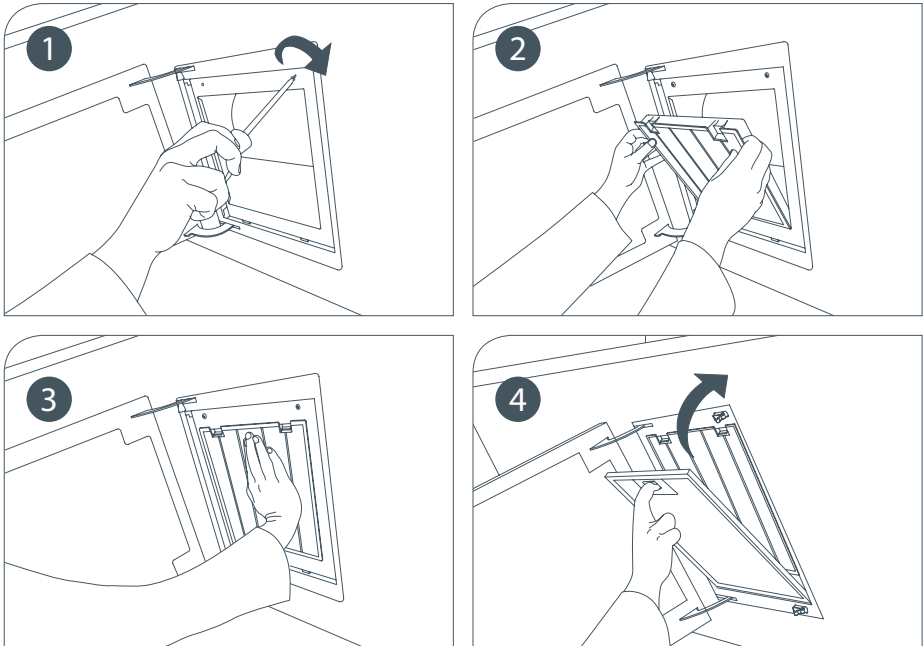
Removing the aluminium filters:



Carbon filters

Active carbon filters are disposable items designed to remove grease and odours from cooking vapours before the air is channelled back into the kitchen. The active carbon filters must be replaced periodically to work properly, at least once every three months, depending on the frequency with which the wall canopy is used.

Fitting the carbon filter:

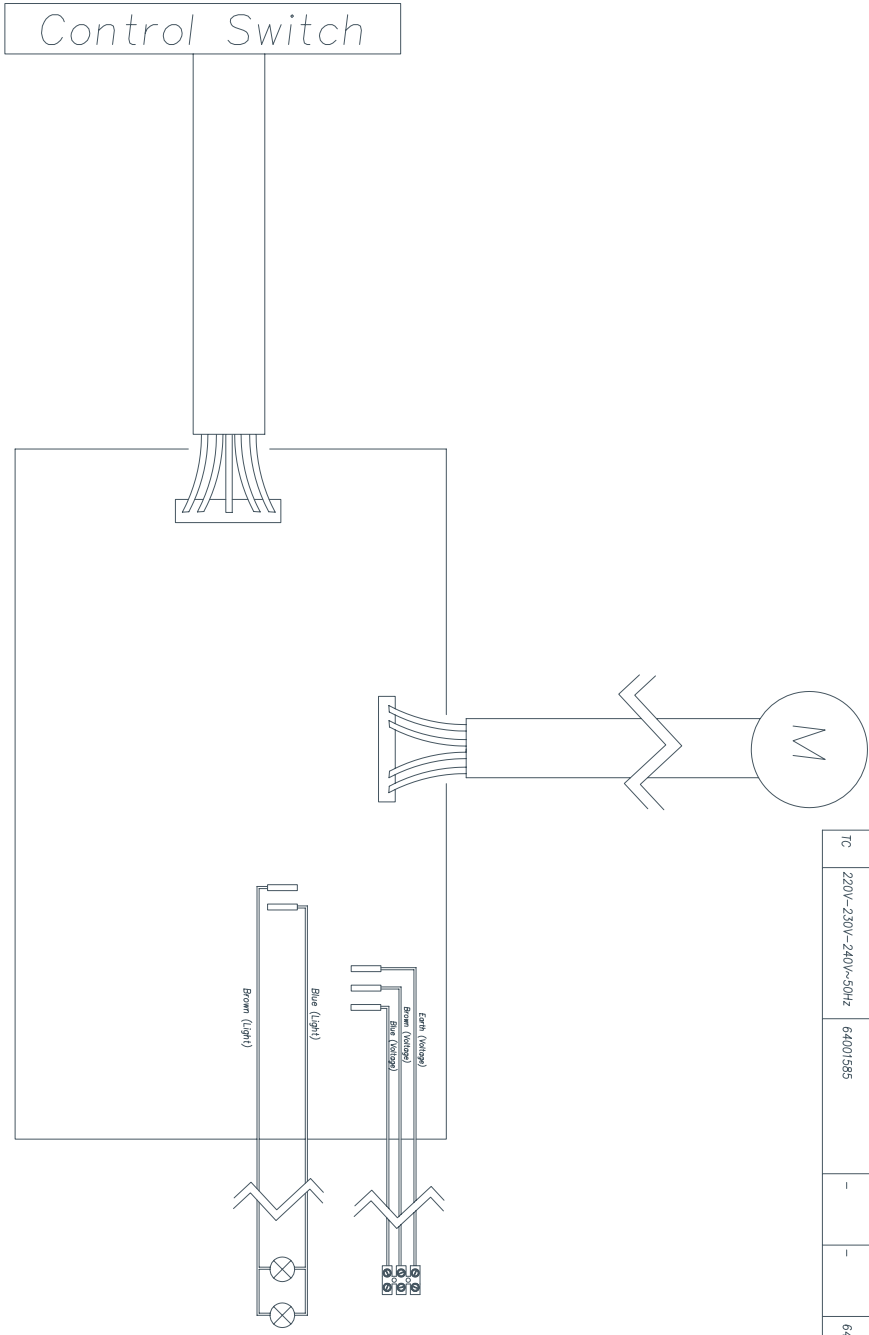


Replacing the light bulb

- 1 Before changing the light bulb, ensure the wall canopy is disconnected from the power supply.
- 2 Remove the aluminium grease filter (refer to page 9 to see how to do this).
- 3 If canopy is in recirculation mode, remove charcoal filter (refer to fitting the carbon filter section above to see how).
- 4 Replace light bulbs with maximum 50 Watts.
- 5 Reinstall carbon filter if required and refit the aluminium filter.

Accessory	Part number
Recirculation kit	791820
Replacement carbon filter	791758
Replacement aluminium filter	791761
Replacement light bulb	791822

12 Wiring diagram



	VOLTAGE	CONTROL SWITCH	CAPACITOR	MOTOR
TC	220V-230V-240V-50Hz	64601585	-	64601590

www.fisherandpaykel.cn

Fisher & Paykel

Copyright © Fisher & Paykel 2010. All rights reserved.

The product specifications in this booklet apply to the specific products and models described at the date of issue. Under our policy of continuous product improvement, these specifications may change at any time. You should therefore check with your Dealer to ensure this booklet correctly describes the product currently available.

Free Manuals Download Website

<http://myh66.com>

<http://usermanuals.us>

<http://www.somanuals.com>

<http://www.4manuals.cc>

<http://www.manual-lib.com>

<http://www.404manual.com>

<http://www.luxmanual.com>

<http://aubethermostatmanual.com>

Golf course search by state

<http://golfingnear.com>

Email search by domain

<http://emailbydomain.com>

Auto manuals search

<http://auto.somanuals.com>

TV manuals search

<http://tv.somanuals.com>