

ASb 658-1



Impact Wrench



SERVICE

Tool service and maintenance must be performed only by qualified repair personnel.

When servicing a tool, only use identical replacement parts available from FEIN.

Repairs on FEIN Power Tools required the use of special tools (pulling devices and bearing press). Authorized repair centers have trained repair technicians and equipment necessary to perform these repairs. Service or repairs performed by unqualified persons could result in operator injury.

For the location of the repair center near you, please call 1-800-441-9878. Monday thru Friday, 9AM to 5PM EST. Or, look on our web site at www.feinus.com and follow the link to "Authorized Warranty Repair Centers"

**FEIN Power Tools
1030 Alcon Street
Pittsburgh, PA 15220**

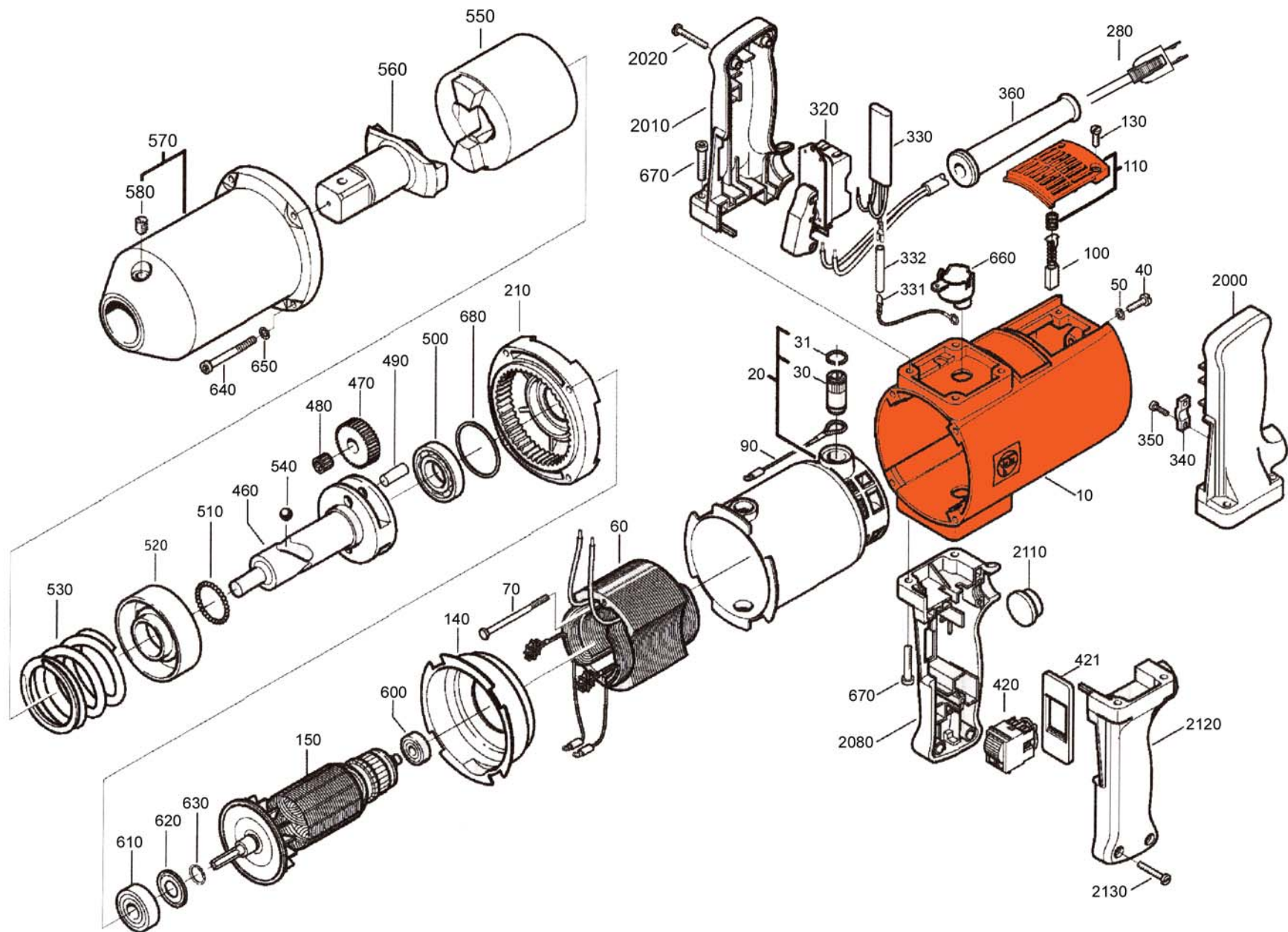
Phone: 412-922-8886 Fax: 412-922-8767 Toll Free: 1-800-441-9878

April 15, 2004



Impact Wrench

Model: ASb 658-1



Fein Power Tools

Asb 658-1 Parts List

<u>Item</u>	<u>Item Number</u>	<u>Description</u>	<u>Reqd.</u>
10	3-19-03-101-01-5	MOTOR HOUSING	1
20	3-19-13-011-01-4	INSULATED. HOUSING ASSEMBLY	1
30	3-07-12-050-00-4	BRUSH HOLDER	2
31	4-26-15-135-00-5	RETAINER RING	2
40	4-30-02-105-05-5	SCREW	2
50	4-24-43-004-05-7	LOCKING WASHER	2
60	5-1-226-002-11-8	FIELD COIL	1
70	4-30-01-004-04-2	SCREW	2
90	3-07-19-051-01-5	CONNECTION CABLE	2
100	3-07-11-070-00-8	CARBON BRUSH	2
110	3-24-27-037-01-6	COVER	2
130	4-30-02-034-04-3	SCREW	4
140	3-14-28-052-00-3	AIR CONDUCTING RING	1
150	5-3-226-002-11-0	ARMATURE	1
210	3-15-06-166-01-8	INTER HOUSING	1
280	3-07-05-035-01-3	CABLE	1
320	3-07-01-068-00-3	REVERSING SWITCH	1
330	3-07-22-122-02-6	CAPACITOR	1
331	3-07-19-164-01-8	CABLE CLAMP	1
332	3-14-13-188-00-6	SLEEVE	1
340	3-24-31-021-00-7	CABLE CLAMP	1
350	4-30-41-011-99-3	SCREW	2
360	3-14-13-090-00-3	CABLE PROTECTING SLEEVE	1
420	3-07-01-210-01-9	REVERSING SWITCH	1
421	3-24-14-106-00-5	SWITCH INSERT	1
460	3-01-10-011-00-0	DRIVE SHAFT	1
470	3-36-13-066-00-7	BALANCE SPRING	2
480	4-17-15-014-00-7	NEEDLE CAGE	2
490	3-02-16-054-00-7	BOLT	2
500	4-17-01-604-01-1	BALL BEARING 608-RS1	1
510	4-17-08-014-00-1	BALL	29
520	3-26-02-040-00-2	RETAINER RING	1
530	3-09-01-213-00-4	PRESSURE SPRING	1
540	4-17-08-020-00-6	BALL	2
550	3-01-12-013-00-0	PERCUSSION PISTON	1
560	3-01-04-045-00-8	TOOL HOLDER	1
570	3-15-08-114-01-4	GEAR HOUSING	1
580	3-21-31-037-00-5	LUBRICATING NIPPLE	1
600	4-17-01-204-09-5	BALL BEARING 608-RS1	1
610	4-17-01-213-02-7	BALL BEARING 608-RS1	1
620	4-26-40-011-00-2	GASKET	1
630	4-26-43-001-00-7	SEEGER CIRCLIP RING	1
640	4-30-33-018-05-7	SCREW	4
650	4-24-43-004-05-7	LOCK WASHER	4
660	3-14-06-028-00-7	INSULATING BUSH	2
670	4-30-33-014-05-8	SCREW	8
680	3-26-24-039-02-5	WASHER .01MM	
680	3-26-24-039-03-1	WASHER .03MM	
2000	3-12-04-161-00-4	HANDLE LOWER PART	1
2010	3-12-04-163-00-1	HANDLE UPPER PART	1
2020	4-30-03-042-04-1	SCREW	2
2080	3-12-04-162-00-7	HANDLE LOWER PART	1
2110	3-14-16-039-00-9	SCREW PLUG	1
2120	3-12-04-163-00-1	HANDLE UPPER PART	1
2130	4-30-03-042-04-1	SCREW	2

Free Manuals Download Website

<http://myh66.com>

<http://usermanuals.us>

<http://www.somanuals.com>

<http://www.4manuals.cc>

<http://www.manual-lib.com>

<http://www.404manual.com>

<http://www.luxmanual.com>

<http://aubethermostatmanual.com>

Golf course search by state

<http://golfingnear.com>

Email search by domain

<http://emailbydomain.com>

Auto manuals search

<http://auto.somanuals.com>

TV manuals search

<http://tv.somanuals.com>